

GFORCE ARMS™

Your Authority For Quality Firearms



GFY11220®

MAGAZINE FED SEMI-AUTOMATIC SHOTGUN INSTRUCTION MANUAL

MODEL
NK-1®

MANUFACTURER
RADIKAL ARMS

ITEM NUMBER
GFY11220®

DESCRIPTION
GFORCE ARMS GFY1
(NK1) 12GA 18.5" BRL
5RND MAG FED
BULLPUP

This instruction manual should always accompany this firearm and be transported with it upon transfer of ownership, or when this firearm is loaned or presented to another person.

FOR SERVICE ON THIS MODEL CALL
[775] 788-1765

READ THE INSTRUCTIONS AND WARNINGS IN THIS MANUAL CAREFULLY BEFORE USING THIS FIREARM

© 2021 GFORCE ARMS, INC.

THIS MANUAL MAY NOT BE REPRODUCED IN WHOLE OR IN PART WITHOUT THE WRITTEN PERMISSION OF GFORCE ARMS, INC.



GFORCE ARMS™



TABLE OF CONTENTS

| | | | |
|--|--|--|--|
| PAGE 03 LEGAL OWNERSHIP STATE-BY-STATE WARNINGS | PAGE 04 FIREARM SAFETY | PAGE 05 A GUN OWNER'S RESPONSIBILITY | PAGE 06 AMMUNITION CHOKE COMPATIBIITY |
| PAGE 08 LOADING FIREARM | PAGE 09 UNLOADING FIREARM | PAGE 10 ADJ SIGHTS SHOOTING FIREARM | PAGE 11 SHOULDERING FIREARM |
| PAGE 12 CLEARING JAM OR MISFIRE | PAGE 13 DISASSEMBLY PROCEDURES | PAGE 14 DISASSEMBLY PROCEDURES CONT. | PAGE 15 DISASSEMBLY PROCEDURES CONT. |
| PAGE 16 DISASSEMBLY PROCEDURES CONT. | PAGE 17 DISASSEMBLY PROCEDURES CONT. | PAGE 18 DISASSEMBLY PROCEDURES CONT. | PAGE 19 EXPLODED VIEW |
| | PAGE 20 EXPLODED VIEW CONT. | PAGE 21 CARE AND MAINTENANCE | |

LEGAL OWNERSHIP

THIS FIREARM MODEL (NK-1) IS NOT LEGAL TO SELL OR TO POSSESS IN THE FOLLOWING STATES.



CALIFORNIA
HAWAII
MARYLAND
MASSACHUSETTS
NEW JERSEY
WASHINGTON D.C.
NEW YORK

STATE-BY-STATE WARNINGS

Some states have their own legally required warning notices in larger than normal type that must be conspicuously included by the manufacturer, distributor or retailer with firearms sold in that state. GForce Arms, Inc. sells its products in compliance with applicable laws and regulations, and so we include the following:

Connecticut:

"UNLAWFUL STORAGE OF A LOADED FIREARM MAY RESULT IN IMPRISONMENT OR FINE."

Florida:

"IT IS UNLAWFUL, AND PUNISHABLE BY IMPRISONMENT AND FINE, FOR ANY ADULT TO STORE OR LEAVE A FIREARM IN ANY PLACE WITHIN THE REACH OR EASY ACCESS OF A MINOR UNDER 18 YEARS OF AGE OR TO KNOWINGLY SELL OR OTHERWISE TRANSFER OWNERSHIP OR POSSESSION OF A FIREARM TO A MINOR OR A PERSON OF UNSOUND MIND."

Maine:

"ENDANGERING THE WELFARE OF A CHILD IS A CRIME. IF YOU LEAVE A FIREARM AND AMMUNITION WITHIN EASY ACCESS OF A CHILD, YOU MAY BE SUBJECT TO FINE, IMPRISONMENT OR BOTH. KEEP FIREARMS AND AMMUNITION SEPARATE. KEEP FIREARMS AND AMMUNITION LOCKED UP. USE TRIGGER LOCKS."

North Carolina:

"IT IS UNLAWFUL TO STORE OR LEAVE A FIREARM THAT CAN BE DISCHARGED IN A MANNER THAT A REASONABLE PERSON SHOULD KNOW IS ACCESSIBLE TO A MINOR."

Texas:

"IT IS UNLAWFUL TO STORE, TRANSPORT, OR ABANDON AN UNSECURED FIREARM IN A PLACE WHERE CHILDREN ARE LIKELY TO BE AND CAN OBTAIN ACCESS TO THE FIREARM."

Wisconsin:

"IF YOU LEAVE A LOADED FIREARM WITHIN THE REACH OR EASY ACCESS OF A CHILD YOU MAY BE FINED OR IMPRISONED OR BOTH IF THE CHILD IMPROPERLY DISCHARGES, POSSESSES, OR EXHIBITS THE FIREARM."

Please check with your licensed retailer or state police for additional warnings which may be required by local law or regulation. Such regulations change constantly, and local authorities are in the best position to advise you on such legal matters.

FIREARM SAFETY

IMPORTANT WARNING: FAILURE TO ADHERE TO THE RULES OF FIREARM SAFETY CAN RESULT IN SERIOUS INJURY, DEATH, OR DESTRUCTION OF PROPERTY.

IMPORTANT WARNING: IT IS IMPORTANT FOR YOU TO RECEIVE PROPER TRAINING FROM A COMPETENT FIREARMS INSTRUCTOR OR AUTHORITY BEFORE BEGINNING TO SHOOT OR WHEN HANDLING THE FIREARM.

COMPLETELY READ AND UNDERSTAND YOUR OWNER'S MANUAL GUIDELINES BEFORE USING YOUR FIREARM.

You should fully understand the function of all of the components and mechanics of the firearm. Before you remove the firearm out of the box thoroughly read the owner's manual on how to properly carry, handle, load, unload, and store your new firearm. Know the rules of proper gun safety and exercise them at all times because failure to do so may result in death or injury to yourself or others. Because it is impossible to list every firearm situation or scenario, be aware that certain circumstances may require additional safety rules unique to a particular situation. In these cases, we recommend that you use your best judgement.

ALWAYS LEARN THE SPECIFIC MECHANICAL AND HANDLING CHARACTERISTICS OF YOUR SHOTGUN

All firearms are different thus it is important for you to understand how to properly carry, use, and handle each one according to its specific guidelines. Before using any firearm, one must completely familiarize themselves with the type of firearm and its specific safe handling procedures for loading, unloading and carrying.

NEVER GIVE THE SHOTGUN TO ANY PERSON WHO HAS NOT THOROUGHLY FAMILIARIZED HIMSELF OR HERSELF WITH ALL OF THE INFORMATION, SAFETY RULES, AND WARNINGS IN THE OWNER'S MANUAL

NEVER ALTER OR MODIFY YOUR SHOTGUN

This shotgun was produced under specific manufacturer guidelines and should not be modified under ANY circumstances. Altering the trigger, mechanical components, safety mechanisms, or using any parts or accessories other than those that were provided in the original box with your gun or specifically recommended in this manual is NOT RECOMMENDED by the manufacturer, and could result death, bodily harm, or compromise your safety or the safety of others. Any alteration made to the firearm also voids the factory warranty.

ALWAYS KEEP THE FIREARM UNLOADED UNTIL READY TO USE

Firearms should be kept unloaded when not in use. Whenever you pick up a firearm, immediately engage the safety device and remove the magazine to visually inspect the chamber and confirm that it is clear. Always unload all ammunition from the chamber and remove the magazine after:

- 1.) Shooting
- 2.) Putting the firearm away
- 3.) Putting the firearm into a case
- 4.) When not in use
- 5.) When handing it to another person

ALWAYS KEEP THE MUZZLE POINTED IN A SAFE DIRECTION

It's as simple as that, and it's up to you. Never point your gun at anything you do not intend to shoot. The safe direction may be "up" on some occasions or "down" on others, but never pointed at anyone or anything not intended as a target.

KNOW YOUR TARGET AND WHAT IS BEYOND IT

Whether you are at the range or in the woods, if you're going to shoot, you must know what lies beyond your target. In almost all cases, you must be sure that there is something that will serve as a backstop to capture projectiles that miss or go through the target.

A GUN OWNER'S RESPONSIBILITY

As the owner of a firearm you have the responsibility and obligation of ensuring that any and all shooting activities are safe for everyone. This requires your personal commitment to carefully read, fully understand, and exercise the principles of proper firearm safety at all times. If this is the first shotgun you have ever owned, or if you have limited experience with firearms, please visit your local shooting range and ask a trained professional to provide you with hands on training and tutorial. Doing this will improve your confidence and safety when using your firearm.

DISCLAIMER

THE FIREARM TO WHICH THESE SAFETY RULES APPLY IS SOLD UNDER THE EXPRESS RESULTING CONDITION THAT THE MANUFACTURER ACCEPTS NO LIABILITY IN PART OR WHOLE FOR BODILY INJURY, DEATH, OR PROPERTY DAMAGE FROM:

- IMPROPERLY OR CARELESSLY HANDLING THE FIREARM.
- USING DEFECTIVE , IMPROPER CALIBER, HAND-LOADED, OR RELOADED AMMUNITION.
- INADEQUATE MAINTENANCE OF THE SHOTGUN RESULTING IN CORROSION OR DAMAGE.
- NEGLIGENCE.
- RESALE IN CONTRADICTION OF ANY APPLICABLE LAWS OR REGULATIONS.
- ALTERING OR CONVERTING THE FIREARM'S ORIGINAL AESTHETIC, FUNCTIONING MECHANISMS, ACCESSORIES, OR MECHANICAL CONFIGURATION.
- DISCHARGING WITH CRIMINAL INTENT OR NEGLIGENCE.
- FAILURE TO UNDERSTAND, ADHERE TO, AND FOLLOW THE RULES OF FIREARM SAFETY WHEN USING OR HANDLING THE FIREARM.
- OR ANY OTHER CIRCUMSTANCES OUTSIDE THE MANUFACTURER'S DIRECT OR IMMEDIATE CONTROL.

ALWAYS STORE YOUR FIREARM IN A SECURE STORAGE AREA TO PREVENT UNAUTHORIZED ACCESS

GForce Arms, Inc. recommends storing your firearm in a safe made specifically for firearms. Metal gun safes are recommended over open racks or glass front cabinets. In the case that a safe is not available for use, there are aftermarket trigger locking devices that can also be used to ensure that the firearm is unusable before storing in a conspicuous location such as a closet shelf, or other location out of plain view that is high enough to be out of the reach of young children. GForce Arms, Inc. also recommends that ammunition is stored in a separate location from the firearm. Never store a firearm loaded or with ammunition in the magazine.

NEVER:

- Leave a loaded gun unattended, propped up against a surface, or out of your hands.
- Assume a firearm is unloaded, even if you used it last. Always check to make sure that there is no ammunition and the chamber is clear.
- Load a cartridge into the chamber until you are ready to fire.
- Carry or transport your firearm with live ammunition in the chamber.
- Pass a firearm to another person or accept a firearm from another person, until the cylinder or action is open and you have personally checked that the weapon is completely unloaded.
- Haul a loaded firearm openly or in a carrying case.
- Never transfer or hand a loaded firearm to someone else.

ALWAYS KEEP YOUR FINGER OFF THE TRIGGER UNTIL YOU ARE READY TO SHOOT

When holding the firearm be sure to rest your finger on the trigger guard or along the side of the gun.

NEVER:

- Touch the trigger until you are ready to fire.
- Engage in horseplay while handling a firearm.
- Rely on the safety devices of the gun. Mechanical safeties are never foolproof and can wear out and malfunction.

ALWAYS KEEP THE GUN POINTED IN A SAFE DIRECTION

A safe direction is one in which an accidental discharge cannot or would not cause injury or harm to yourself or others. Use extreme caution especially when loading and unloading your firearm. When handling any firearm always treat it as if it was loaded and ready to fire, even if you think it is empty. The recommended carrying position of your shotgun is with the hammer in de-cocked position.

NEVER:

- Point your firearm at anything you don't intend to shoot.
- Use a firearm under the influence of alcohol, drugs, or any other substances that may impair your judgment, skills, or physical abilities.
- Target shoot or hunt with a firearm when you are fatigued or too tired to operate the firearm safely.

AMMUNITION

RECOMMENDED AMMUNITION

It is imperative to understand that the NK-1 should only be used with modern 12 gauge (GA) ammunition. In order to ensure that your new NK-1 properly functions and cycles, GForce Arms, Inc. recommends the use of ammunitions that produce projectile velocities of 1300 feet per second (FPS) or faster. The firearm is compatible for the use of 2 3/4" inch and 3" inch 12GA cartridge lengths.

The firearm is also compatible for the use of slug projectiles; however, only with the use of smooth bore slug projectiles, and only with the use with cylinder or improved cylinder chokes.

IMPORTANT WARNING - AMMUNITION

Death, serious injury, and damage can result from the wrong ammunition, bore obstructions, powder overloads or incorrect cartridge components. Even the strongest gun can be blown up by excess pressure. Only use correct ammunition loaded to U.S. Industry Standards. Always wear shooting glasses and hearing protection. IMPROPER AMMUNITION DESTROYS GUNS

IMPORTANT WARNING - LEAD EXPOSURE

Discharging firearms in poorly ventilated areas, cleaning firearms, or handling ammunition may result in exposure to lead and other substances known to the State of California to cause birth defects, reproductive harm and other serious physical injury. Have adequate ventilation at all times. Wash hands thoroughly after exposure. SHOOTING OR CLEANING GUNS MAY EXPOSE YOU TO LEAD

AMMUNITION [CARTRIDGES] NOTICE

WE SPECIFICALLY DISCLAIM RESPONSIBILITY FOR ANY DAMAGE OR INJURY WHATSOEVER OCCURRING IN CONNECTION WITH, OR AS A RESULT OF, THE USE OF FAULTY, SUB-STANDARD, REMANUFACTURED, OR HAND LOADED (RELOADED) AMMUNITION, OR OF CARTRIDGES OTHER THAN THOSE FOR WHICH THE FIREARM WAS ORIGINALLY CHAMBERED.

CHOKE COMPATIBILITY & INSTALLATION

The NK-1 shotgun is threaded for the use of Beretta/Benelli Mobil chokes, and is sold with three (3) chokes. One (1) is installed in muzzle, and the other two (2) will be stored in a small black choke storage case along with the choke installation tool. The three (3) choke diameters that come with the shotgun include #1 (full), #3 (modified) and #5 (cylinder).



SAFETY OPERATION

It is imperative as the owner of this firearm that you clearly understand where the safety mechanism is located on the firearm and how the safety mechanism works. The safety mechanism should always be rotated into the "S" position, as shown below, until you are ready to shoot the firearm.



MAGAZINE

The NK-1 shotgun is compatible with MKA-1919 magazines. This shotgun comes with two (2) five (5) round magazines but will accept and function with MKA-1919 10 round and 20 round drum magazines.

LOADING THE MAGAZINE

The magazine is loaded from the top by depressing the spring-loaded follower with the back end of the cartridge and then sliding the cartridge under the retention lips to the rear of the magazine. Continue this process to maximize the use of the magazine capacity.



LOADING THE FIREARM

First make sure that the safety is in the "S" position and the firearm is pointed in a safe direction, in case for any reason the gun would accidentally discharge. Slide the top end of the loaded magazine firmly into the magazine well until the magazine catch secures and locks the magazine in place.



Once the magazine is secured, firmly push in the **bolt release (also commonly call the bolt catch)** until the bolt releases and rapidly slides forward.

The chamber is now loaded and ready to fire.



WARNING - HANDLING



Never carry the shotgun loaded with the safety selector in the "F" position. If dropped or struck with the safety off, the shotgun may fire. Such a discharge can occur without the trigger being directly struck or touched. Never rest a loaded shotgun against any object (wall, fence, vehicle, tree, etc.) because there is always the possibility that the rifle will be jarred or slide from its position and fall with sufficient force to discharge. Keep safety on unless actually firing.

ANY GUN MAY FIRE IF DROPPED.

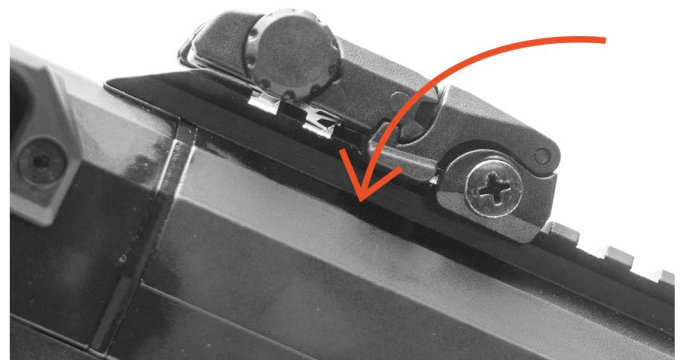
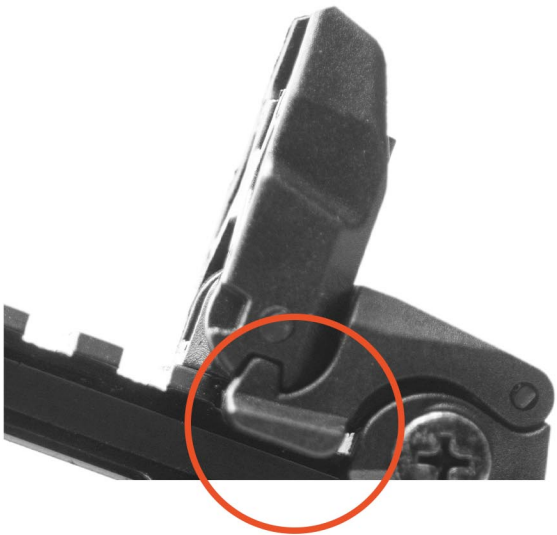
UNLOADING THE FIREARM

Ensure that the safety is on and point the firearm in a safe direction. Keep your finger off of the trigger. Firmly push in the magazine release button until the magazine is released from the magazine well. Grab the charging handle that is installed into the bolt and pull it strongly towards the back of the shotgun. The cartridge will be extracted from the chamber and ejected from the ejection port. Visually check the receiver and chamber to ensure that it is empty and unloaded. Perform a safety check by physically inserting your finger into the chamber to feel for the presence of a round or cartridge case in the chamber.



HOW TO USE THE FACTORY SIGHTS

Release the front and rear sight from the locked position by firmly pressing on the sight release buttons. When you are not shooting the firearm, fold the sights back down until they lock in place. This will help to protect the sights and prevent damage to them.



ADJUSTING THE SIGHTS

The horizontal adjustment is situated on the rear sight. Simply rotate the knob forward and/or backward to achieve the desired horizontal placement of the rear sight. The vertical adjustment is conducted on the front sight. Your shotgun comes with a front sight adjustment tool. Simply slide the tool over the front sight pin and rotate clockwise to shorten the sight pin and counterclockwise to extend it.



SHOOTING THE FIREARM

WARNING - USE SAFETY GLASSES AND HEARING PROTECTION WHEN SHOOTING

Wear safety glasses when firing the weapon to protect your eyes from airborne debris or projectile ricochet. When shooting, shotguns will often produce decibels of 155 and higher. Exposure to sounds producing decibels over 70 can lead to hearing loss. Therefore, it is important to wear hearing protection when shooting.

WARNING - ALWAYS MAKE SURE THAT THE BARREL IS CLEAR OF ANY OBSTRUCTIONS BEFORE SHOOTING

Before loading always perform a safety check to make sure that there is no ammunition in the chamber or magazine. Examine the barrel for any obstructions or debris such as excess lubricant, dirt, or grease. If the bore is obstructed it can cause increased pressure causing the barrel to bulge or burst during use. Always use a cleaning rod and patch to remove any residues or obstructions in the barrel.

DO NOT TOUCH THE TRIGGER UNTIL YOU ARE ACTUALLY READY TO FIRE THE FIREARM

WARNING - FIRING

When firing the weapon, be sure that bystanders are well clear of the shooter and standing a safe distance behind the shooter. Empty cartridge cases are hot and are normally ejected from the shotgun to the right of the shooter. They could cause injury to another person who is standing too closely alongside the shooter. Shooters who fire right-handed shotguns from their left shoulder should be particularly cautious concerning ejected cartridge cases (and the back of the bolt as it is drawn rearward.)

SHOULDERING THE FIREARM

Firmly grasp the pistol grip with your right hand and the forend with your left hand. Shoulder the firearm by pulling the recoil pad firmly against your right shoulder.



With your right eye, align the front and rear sight and visually place your sights on your target. Flip the safety off with your right thumb while gripping the pistol grip. Place your right index finger on the trigger and pull it until shotgun fires. Repeat until the magazine is emptied.



CLEARING A JAM OR MISFIRE

A jam occurs when the shotgun is fired, but the bolt does not cycle properly causing the fired/empty cartridge to remain in the receiver or chamber. A misfire occurs when the trigger is pulled, the hammer releases hitting the firing pin, but the cartridge does not discharge/fire.

While firing your shotgun, if you experience a jam or misfire, keep the firearm pointed in a safe direction and flip the safety selector to "S." Remove the magazine and unload the shotgun to remove the jammed or misfired cartridge. Visually check the chamber to ensure it is unloaded.

MISFIRE

In the event of a misfire check the primer on the ejected cartridge for a strike mark. In the event that there is a shallow dimple in the primer, it is most commonly caused by a light strike. We recommend trying a different brand of ammunition to determine whether the light strike is caused by a deeply seated primer or if it is a malfunction of the firearm itself. If it is determined to be a malfunction of the firearm, please make sure to fill out a service request on the www.gforcearms.com website. GForce Arms, Inc. wants to get your firearm into the service shop for review and repair as needed.

CYCLING JAM

In the event of a jam, double check the velocity listed on the ammunition box by the manufacturer. In order for this firearm to properly cycle ammunition that produces a projectile velocity of 1300 FPS or faster. If the ammunition produces adequate velocity, but does not cycle, the firearm may need to be disassembled, thoroughly cleaned, oiled and reassembled before attempting to fire it again.

If these steps are taken, but they do not improve the function of your shotgun and it continues to jam, please make sure to fill out a service request on the www.gforcearms.com website. GForce Arms, Inc. wants to get your firearm into the service shop for review and repair as needed.



DISASSEMBLY PROCEDURES

Step by step instructions to disassemble and re-assemble the GForce Arms GFY-1 as demonstrated by Matt H. our firearms specialist. If you prefer to follow along with a video, please visit our YouTube channel and watch along. Search for GForce Arms GFY-1 Teardown and look for this thumbnail:

STEP 1: ENSURE FIREARM IS COMPLETELY UNLOADED BY ENSURING NO MAGAZINE IS IN THE FIREARM, PULLING THE CHARGING HANDLE BACK, AND VISIBLY CHECK THE CHAMBER.



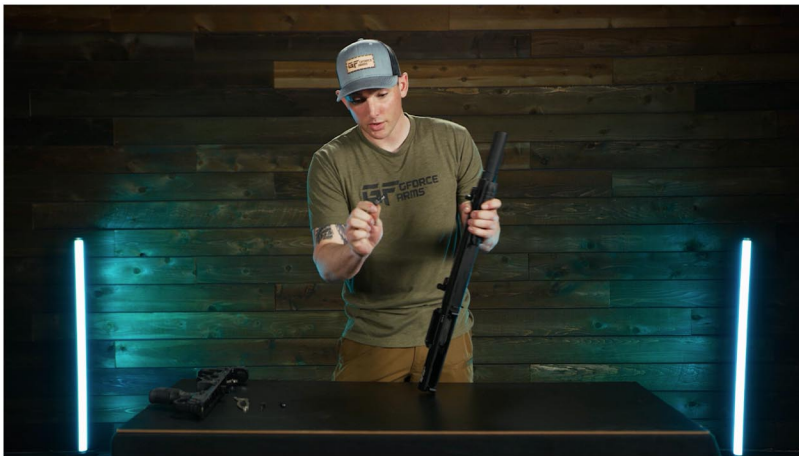
STEP 2: REMOVE THE TWO SPRING-ENGAGED TAKE DOWN PINS FIXING THE UPPER PORTION OF THE SHOTGUN FROM THE LOWER BY USING A SOFT Mallet OR OTHER TOOL TO PRESS THE SPRING SIDE OF THE PIN AND THEN TURNING THE FIREARM OVER AND APPLYING UPWARD PRESSURE ON THE PIN TO COMPLETELY REMOVE.



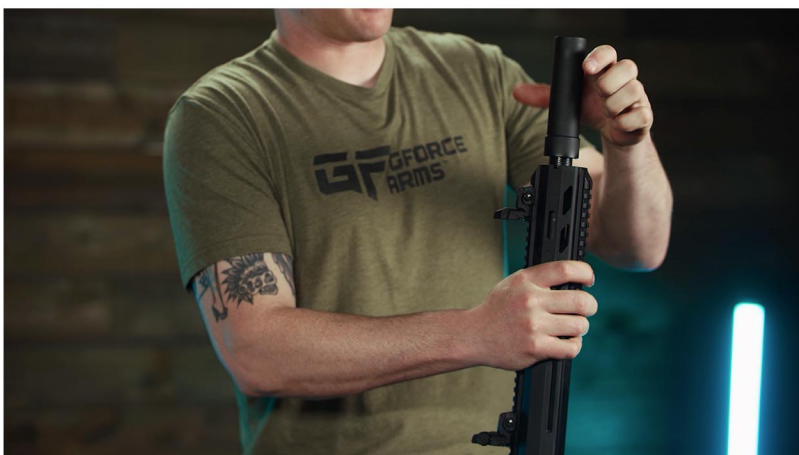
STEP 3: REMOVE THE UPPER FROM THE LOWER BY FIRST GRIPPING THE REAR END OF THE UPPER AND RAISING UP SLIGHTLY AND THEN PUSHING THE UPPER ASSEMBLY FORWARD TO SEPARATE THE FRONT END FROM THE LOWER RECEIVER.



STEP 4: REMOVE CHARGING HANDLE BY FIRMLY GRIPPING IT AND PULLING IT OUT OF THE BOLT ASSEMBLY.



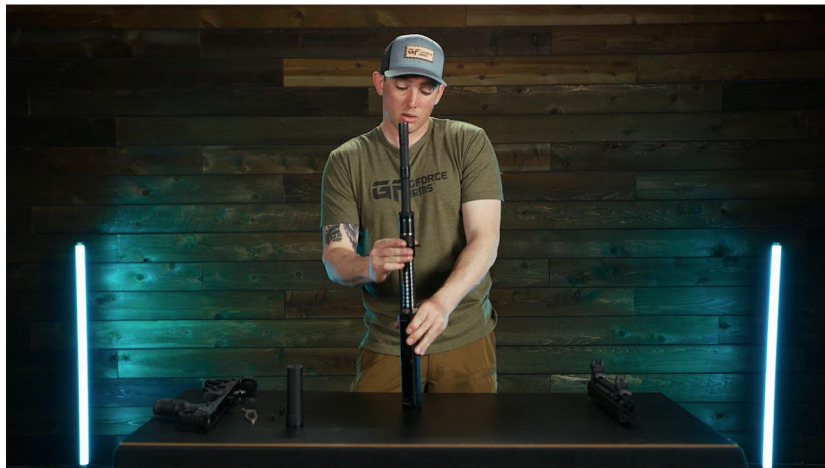
STEP 5: UNSCREW AND REMOVE THE BARREL CAP/SHROUD.



STEP 6: REMOVE THE HANDGUARD BY GRIPPING AND SLIDING IT TOWARDS THE MUZZLE END OF THE BARREL.



STEP 7: REMOVE THE SLING MOUNT BY SLIDING TOWARDS THE MUZZLE END OF THE BARREL.



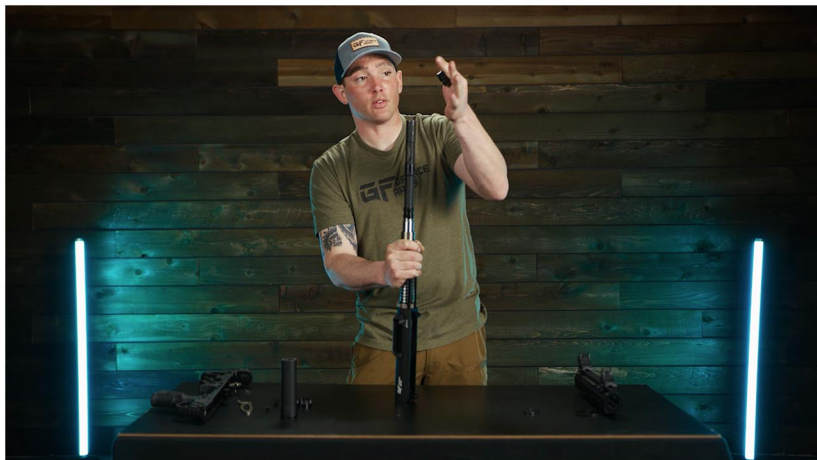
STEP 8: UNSCREW AND REMOVE THE GAS PISTON RETAINING NUT.



STEP 9: DEPRESS THE GAS PISTON HOUSING AND SPRING SLIGHTLY TO EXPOSE AND REMOVE TWO HALF MOON CLIPS.



STEP 10: REMOVE THE GAS PISTON HOUSING AND GAS PISTON BY GRIPPING EACH PART AND SLIDING OFF OF THE BARREL.



STEP 11: USING THE BARREL NUT WRENCH SUPPLIED WITH THE FIREARM, REMOVE THE BARREL NUT.



NOTE: THE BARREL NUT IS REVERSE THREADED. MAKE SURE YOU REMOVE IT BY TURNING CLOCKWISE, AND TIGHTEN IT BY TURNING COUNTER-CLOCKWISE.

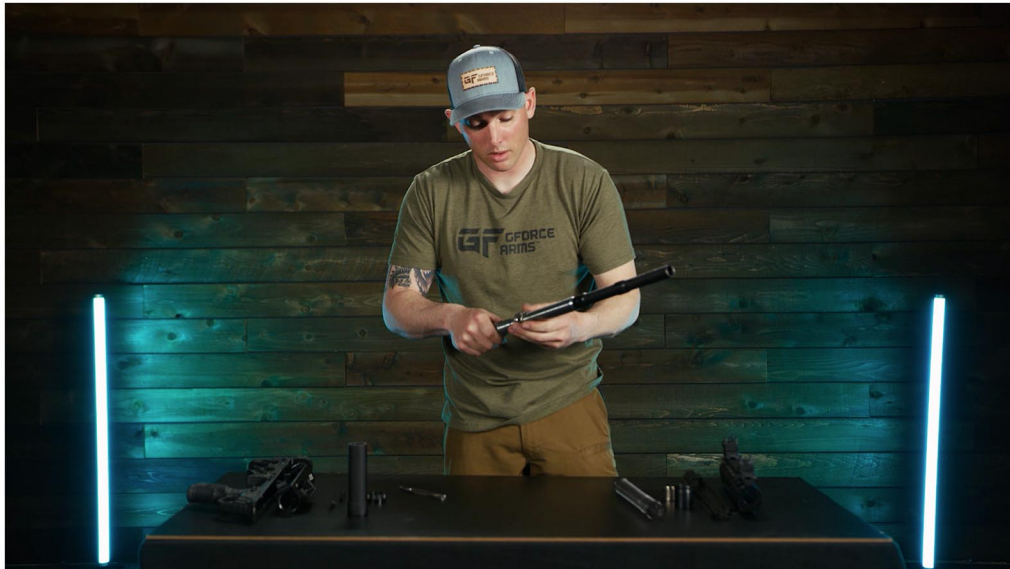
STEP 12: REMOVE THE BARREL ASSEMBLY FROM THE UPPER RECEIVER BY APPLYING FIRM PRESSURE ON THE BARREL ASSEMBLY OUTWARD FROM THE RECEIVER.



STEP 13: REMOVE THE OPERATING ARM AND SPRING BY DEPRESSING THE SPRING SLIGHTLY TO TAKE PRESSURE OFF OF THE BOLT ASSEMBLY, THEN RAISE THE OPERATING ARM END CONNECTED TO THE BOLT AWAY FROM THE BOLT ASSEMBLY. THE OPERATING ARM AND SPRING WILL SLIDE OFF OF THE BARREL.



STEP 14: REMOVE THE BARREL NUT FROM THE BARREL BY SLIDING TOWARDS THE MUZZLE END OF THE BARREL.

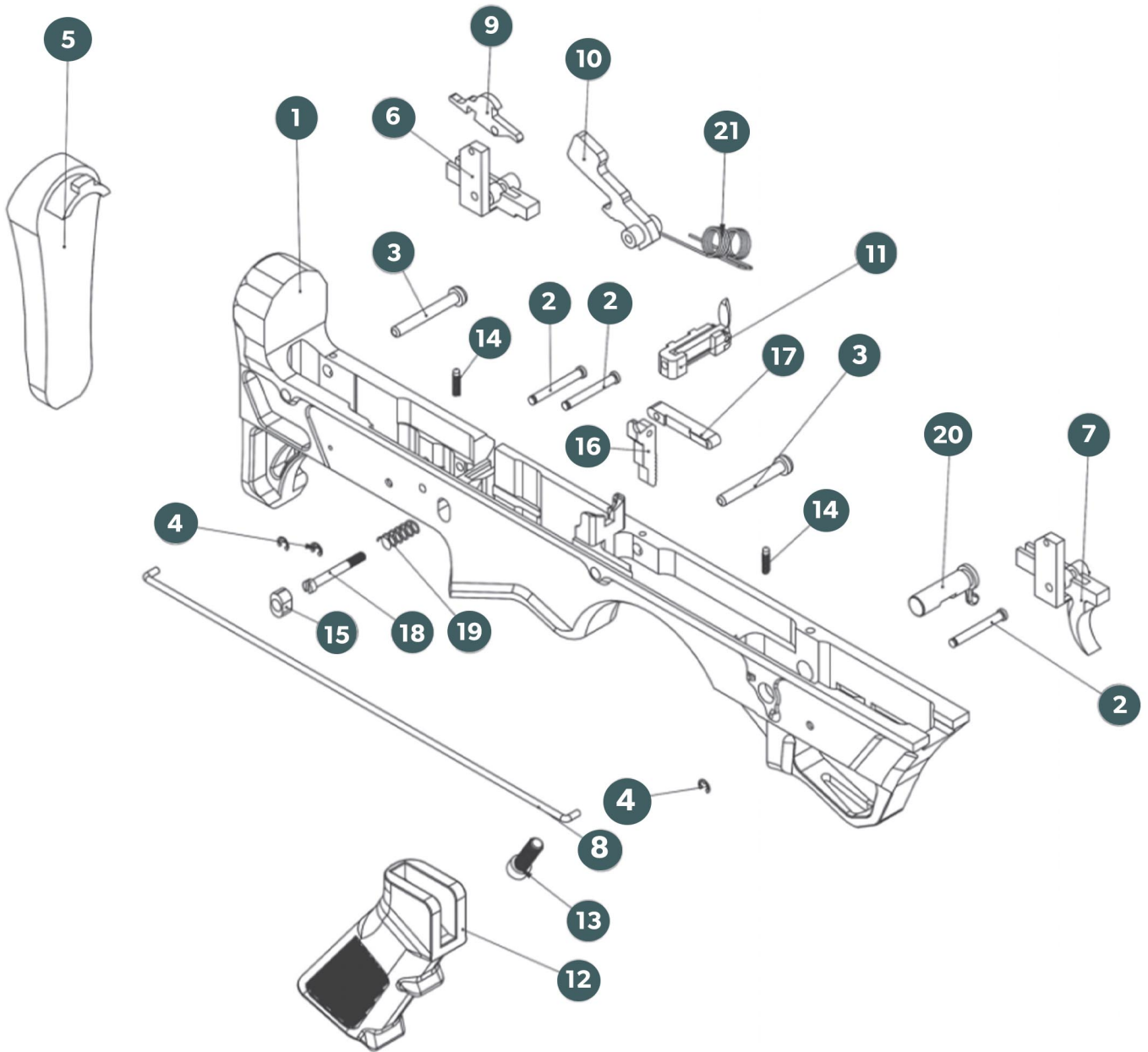


STEP 15: REMOVE THE BOLT ASSEMBLY FROM THE CHAMBER END OF THE BARREL BY GENTLY DISENGAGING THE EXTRACTOR FROM THE EXTRACTOR SLOT AND SLIDING THE BOLT ASSEMBLY REARWARD.



REASSEMBLY PROCEDURES
RE-ASSEMBLE THE FIREARM BY REVERSING THE
DISASSEMBLY STEPS ABOVE.

EXPLODED VIEW



1. LOWER BODY

2. 4" PIN

3. 6" PIN

4. RETAINING RING

5. BUTT PAD

6. TRIGGER BLOCK

7. TRIGGER

8. TRIGGER LINK

9. SEAR

10. HAMMER

11. BOLT CATCH

12. GRIP

13. GRIP SCREW

14. DETENT SPRING/PIN

15. MAGAZINE RELEASE BUTTON

16. MAGAZINE BUTTON 2

17. MAGAZINE CATCH

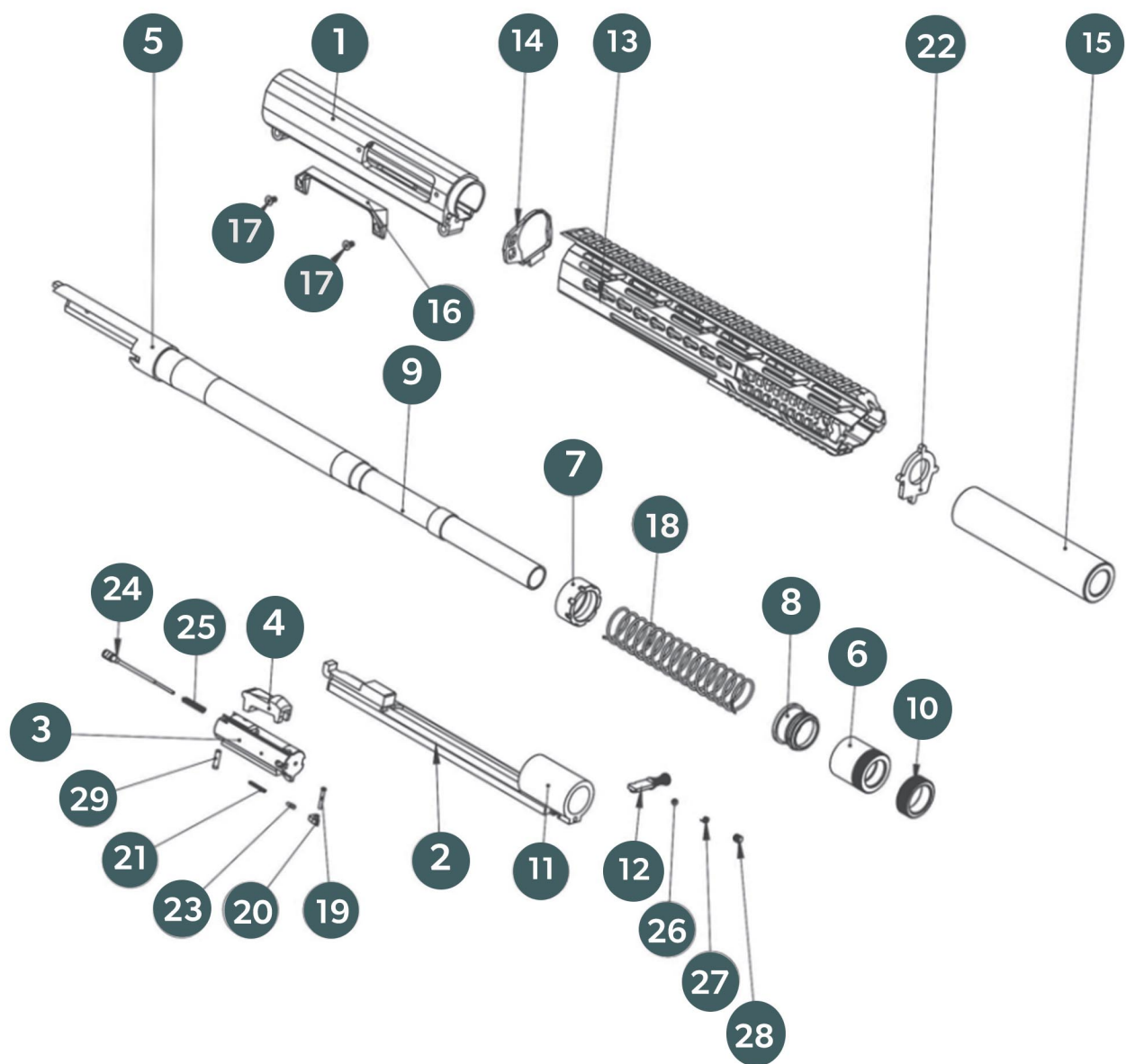
18. MAGAZINE RELEASE BAR

19. MAGAZINE CATCH SPRING

20. SAFETY SELECTOR

21. HAMMER SPRING

EXPLODED VIEW



1. UPPER RECEIVER

2. ACTION BAR

3. BOLT

4. LOCKING BLOCK

5. CHAMBER

6. GAS CUPLING

7. BARREL NUT

8. PISTON

9. BARREL

10. GAS SEAL

11. ACTION BAR TUBE

12. OPERATING HANDLE

13. FOREND

14. BARREL ASSEMBLY NUT

15. BARREL SHROUD

16. SHIELD

17. B1.83.5M-4X0, 7X8

SOCKET FCHS -- 8S

18. MAIN SPRING

19. EXTRACTOR DETENT PIN

20. EXTRACTOR

21. EXTRACTOR SPRING

22. FOREND ASSEMBLY NUT

23. REAR EXTRACTOR PIN

24. FIRING PIN

25. FIRING PIN SPRING

26. 5 MM BALL

27. OPERATING HANDLE DETENT

28. OPERATING HANDLE METRIC 6 SCREW

29. DETENT PIN

CARE AND MAINTENANCE

It is essential that regular maintenance and cleaning be performed to maintain the accuracy, function, and maximize the longevity of your firearm. Before cleaning ALWAYS perform a safety check to make sure that the firearm is unloaded prior to cleaning. Your firearm should be free from rust, dirt, grease and firing residues in order to function reliably.

The critical components that should be kept clean and oiled regularly include the following:

- Interior of the upper receiver
- Barrel
- Breach
- Piston
- Gas seal
- Action bar
- Action bar tube
- Bolt assembly
- Trigger assembly
- Sear
- Hammer
- Safety selector

Failure to maintain these key components could result in damage to the firearm, failure to function, and could result in a major safety hazard.

We encourage our customers to visit the GForce Arms website (www.gforcearms.com) and watch the maintenance and assembly tutorial video's specific to your firearm model.

SERIAL NUMBER OF THE FIREARM

The serial number is located on various parts of the shotgun. Each serial number is specific to that shotgun and is used for identification and registration. It is recommended that you record your serial number in your manual and keep the information in a secured location. Always keep the serial number visible and unobstructed from view.

WARRANTY INFORMATION

WHY NO WARRANTY CARD HAS BEEN PACKED WITH THIS NEW GFORCE FIREARM

The Magnuson-Moss Act (Public Law 93-637) does not require any seller or manufacturer of a consumer product to give a written warranty. It does provide that if a written warranty is given, it must be designated as "limited" or as "full" and sets minimum standards for a "full" warranty. GForce Arms, Inc. has elected not to provide any written warranty, either "limited" or "full", rather than to attempt to comply with the provisions of the Magnuson-Moss Act and the regulations issued thereunder. There are certain implied warranties under state law with respect to sales of consumer goods. As the extent and interpretation of these implied warranties varies from state to state, you should refer to your state statutes. GForce Arms wishes to assure its customers of its continued interest in providing service to owners of GForce firearms.