

# **FOSTECH**

## **AR-15**

### **OPERATOR MANUAL**



**READ THE INSTRUCTIONS AND WARNINGS IN THIS MANUAL CAREFULLY AND UNDERSTAND THEM BEFORE USING THIS FIREARM. IF YOU HAVE ANY QUESTIONS PLEASE CONTACT FOSTECH.**



# TABLE OF CONTENTS

WELCOME.....	3
CUSTOMER NOTES.....	4
IMPORTANT SAFETY WARNINGS.....	5
HANDLING A FIREARM.....	7
FOR YOUR SAFETY.....	8
AR-15 SCHEMATIC.....	10
AR-15 RECEIVER SCHEMATIC.....	11
GENERAL DESCRIPTION.....	12
LOADING.....	14
LOADING THE CHAMBER.....	15
SAFETY LEVER.....	16
OPERATION (FIRE CONTROL).....	17
UNLOADING.....	18
MAINTENANCE .....	19
SERVICE AND REPAIR.....	21
FIGHTER SERIES & ACCESSORIES.....	22
WARRANTY.....	25



## WELCOME

Congratulations on the purchase of your firearm and welcome to the FosTech Family.

FosTech is committed to providing you with quality firearms and accessories. The Fostech LITE FIGHTER SERIES AR-15's brings new features that have not been available on firearms in the past. With that being said, please pay careful attention to the operating agreements and safety information contained in this manual.

FosTech thanks you for your purchase and offers support and expertise when needed. Never hesitate to give our support staff a call at 1-812-445-4028 or an email at [sales@fostech.us](mailto:sales@fostech.us).

### YOUR PACKAGE INCLUDES

1. FosTech Fighter Series AR-15
2. FosTech Rifle Case
3. 30 Round Magazine
4. Literature Packet
  - A. AR-15 Manual
  - B. NSSF Firearms Safety Depends on You Pamphlet
  - C. NSSF Firearms Responsibility in the Home Pamphlet
  - D. FosTech Warranty Card

If you notice that anything is missing from the above list, please contact FosTech Customer Service at 1-812-445-4028

THANK YOU FOR YOUR BUSINESS!

### \*\*NOTE\*\*

THIS MANUAL DEPICTS BASIC OPTIONS FOR A RIFLE MANUFACTURED BY FOSTECH. ALL ACCESSORIES AND FEATURES MAY NOT BE THE SAME. ACCESSORIES SHOWN MAY NOT BE PROVIDED ON RIFLE.

## CUSTOMER NOTES

FosTech  
Customer Service Department  
PO Box 383  
Seymour, IN 47274  
Phone: 1-812-445-4028  
sales@fostech.us

If you have any questions regarding your new firearm or manual, please feel free to write or call us at any time. The space below is provided for you to record information in reference to your new firearm.

Model: \_\_\_\_\_

Serial Number: \_\_\_\_\_

Purchased From: \_\_\_\_\_

Purchase Date: \_\_\_\_\_

Notes: \_\_\_\_\_

\_\_\_\_\_

\_\_\_\_\_

\_\_\_\_\_



## **IMPORTANT SAFETY WARNING**

**!** LOADING AN INDIVIDUAL SHELL WITHOUT USING A MAGAZINE CAN RESULT IN A SLAM FIRE. ALWAYS MAKE SURE YOUR FIREARM IS POINTED IN A SAFE DIRECTION WHEN LOADING AND UNLOADING YOUR WEAPON.

**!** LEARN THE MECHANICAL AND HANDLING CHARACTERISTICS OF THE FIREARM YOU ARE USING. NOT ALL FIREARMS ARE THE SAME. DO NOT ASSUME THAT YOU KNOW HOW TO OPERATE THE FIREARM CORRECTLY. READ AND UNDERSTAND THIS MANUAL BEFORE SHOOTING YOUR FIREARM. IF THERE IS ANYTHING YOU DO NOT UNDERSTAND OR WOULD LIKE FURTHER CLAFIFICATION:  
PLEASE CONTACT FOSTECH AT 1-812-445-4028 OR SALES@FOSTECH.US

**PROUDLY MADE IN THE USA**



**VETERAN-OWNED SMALL BUSINESS**

## **IMPORTANT SAFETY WARNINGS**

THESE SAFETY WARNINGS ARE FOR THE PROTECTION OF YOURSELF AND OTHERS. FAILURE TO FOLLOW THESE SAFETY WARNINGS COULD RESULT IN INJURY OR DEATH.

### **YOU ARE IN CHARGE OF FIREARM SAFETY**

As a gun owner you acknowledge and undertake the responsibilities of being in charge of a firearm. The level of seriousness you place while being in charge of a firearm can be the difference in life or death.



**ALWAYS KEEP THIS MANUAL WITH THE FIREARM IF EVER TRANSFERRED TO ANOTHER PARTY.**



**BEFORE FIRING, ALWAYS ENSURE THAT THE FIREARM ASSEMBLED PROPERLY.**



**ANY MODIFICATIONS, ALTERATIONS, OR IMPROPER FITTINGS OF PARTS MAY RESULT IN DAMAGE TO THE FIREARM OR INJURY TO THE INDIVIDUAL. THE FIREARM OWNER ACCEPTS FULL RESPONSIBILITY FOR CORRECT REASSEMBLY.**



**IF YOU ARE UNSURE OR HAVE QUESTIONS ABOUT THE MANUAL OR FIREARM PLEASE CONTACT OUR CUSTOMER SERVICE DEPARTMENT.**

1-812-445-4028



## HANDLING A FIREARM

- ! KEEP ALL FIREARMS AND AMMUNITION OUT OF THE REACH OF CHILDREN.
- ! STORE FIREARMS SAFELY IN A LOCKED FACILITY.
- ! NEVER STORE A LOADED FIREARM OR LEAVE IT UNATTENDED.
- ! NEVER TRAVEL WITH A LOADED FIREARM.
- ! ALWAYS UNLOAD THE FIREARM WHEN FINISHED SHOOTING, CLIMBING TREES, CROSSING FENCES, OR MANEUVERING OTHER OBSTACLES.
- ! NEVER LOAD A FIREARM UNLESS YOU ARE AT A LOCATION WHERE YOU ARE GOING TO SHOOT THE FIREARM.
- ! DO NOT CONSUME ALCOHOL OR DRUGS BEFORE HANDLING A FIREARM.
- ! ALWAYS KEEP THE MUZZLE IN A SAFE DIRECTION EVEN THOUGH YOU ARE CERTAIN IT IS UNLOADED.
- ! ALWAYS KEEP THE SAFETY IN THE SAFE POSITION UNLESS ABOUT TO FIRE BUT NEVER SOLELY RELY ON THE SAFETY.
- ! ALWAYS TREAT THE FIREARM AS IF IT WAS LOADED EVEN THOUGH YOU ARE CERTAIN IT IS UNLOADED.
- ! KEEP YOUR FINGERS AWAY FROM THE TRIGGER WHILE LOADING AND UNLOADING AND UNTIL SHOOTING IS IMMINENT.
- ! WEAR HEARING AND EYE PROTECTION WHILE FIRING THE FIREARM.
- ! NEVER PULL THE TRIGGER ON AN EMPTY CHAMBER.

FosTECH

## FOR YOUR SAFETY

- ! BE ABLE TO CLEAN YOUR FIREARM THOROUGHLY AND MAKE SURE THERE IS NO DIRT OR DEBRIS BLOCKING THE BARREL. OBSTRUCTIONS CAN LEAD TO MALFUNCTIONS OR INJURY.
- ! MAKE SURE YOU PRACTICE FIREARM SAFETY AND MAINTENANCE REGULARLY.
- ! CLEANING AFTER FIRING OR EXPOSURE TO DAMP WEATHER IS RECOMMENDED.
- ! ALWAYS BE CONFIDENT IN FIREARM SAFETY AND FUNCTION BEFORE USING A FIREARM.
- ! NEVER INSERT A SHELL OF THE WRONG CALIBER, GAUGE, OR LENGTH INTO THE FIREARM OR MAGAZINE.
- ! ALWAYS INSPECT EVERY SHELL ABOUT TO BE INSERTED INTO THE FIREARM OR MAGAZINE.
- ! ALWAYS BE SURE THAT THE AREA YOU ARE IN AND PLAN TO FIRE THE FIREARM HAS ENOUGH VENTILATION.
- ! BE CONFIDENT OF YOUR TARGET, ESPECIALLY IN LOW LIGHT CONDITIONS.
- ! ALWAYS MAKE SURE THAT YOUR FIREARM IS UNLOADED BEFORE CLEANING.
- ! ONLY USE APPROVED SAAMI AMMUNITION.
- ! READ AND UNDERSTAND ALL WARNINGS ASSOCIATED WITH THIS FIREARM, AMMUNITION USED WITH THE FIREARM, AND OR ACCESSORIES USED WITH THIS FIREARM.
- ! BE AWARE OF THE MAXIMUM RANGE OF YOUR FIREARM. IF YOU DO NOT KNOW WHAT IS BEYOND YOUR TARGET OR OUTSIDE YOUR VISION IN ANY DIRECTION YOU AIM, DO NOT POINT IN THAT DIRECTION OR PULL THE TRIGGER.





## FOR YOUR SAFETY

IT IS OUR SUGGESTION THAT YOU CHECK WITH YOUR STATE POLICE OR LOCAL LICENSED RETAILER FOR ADDITIONAL INFORMATION WITH REGARDS TO FIREARM OWNERSHIP, HUNTING REGULATIONS, AND TARGET SHOOTING RULES THAT MAY BE REQUIRED BY LAW. LAWS ARE IN PLACE AND ARE SUBJECT TO CHANGE, THUS LOCAL AUTHORITIES ARE IN THE BEST POSITION TO ADVISE ON SUCH MATTERS.

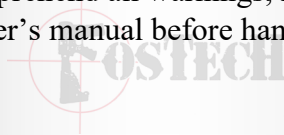
 **FAILURE TO FOLLOW ANY WARNINGS COULD RESULT IN SERIOUS INJURY OR DEATH!**

Thoughtless or aggressive handling of a firearm should never occur. A firearm should be handled with respect at all times. Careless and improper handling of a firearm could result in unintended discharge, causing injury, death, or property damage. Safety must be the first and constant consideration when handling a firearm and ammunition. **SAFETY DEPENDS ON YOU!**

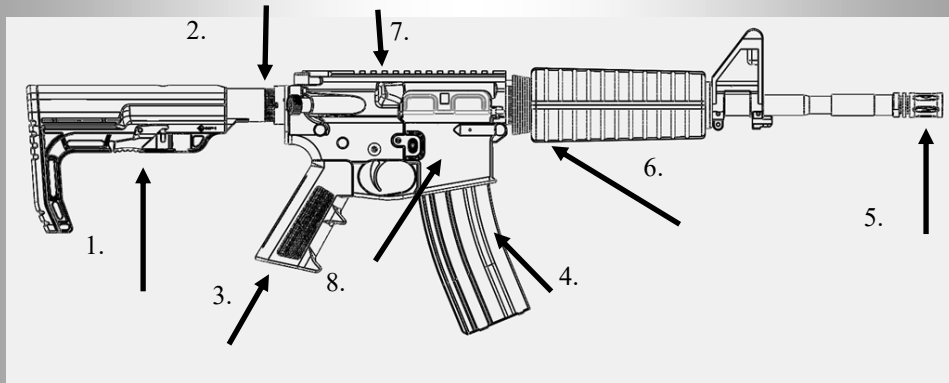
 **THIS FIREARM WAS DESIGNED TO FUNCTION PROPERLY IN ITS ORIGINAL CONDITION. DO NOT ALTER ANY PARTS. DO NOT REPLACE ANY PARTS UNLESS YOU ARE FACTORY-TRAINED TO DO SO AND THEN USE ONLY ORIGINAL FACTORY PARTS FROM FOSTECH.**

 **THIS FIREARM SHOULD ALWAYS BE CARRIED WITH THE CHAMBER EMPTY AND IN THE SAFE (S) POSITION TO PREVENT ACCIDENTAL DISCHARGE.**

Please read and comprehend all warnings, notes, and procedures depicted in this owner's manual before handling and using your new firearm.



## AR-15 SCHEMATIC



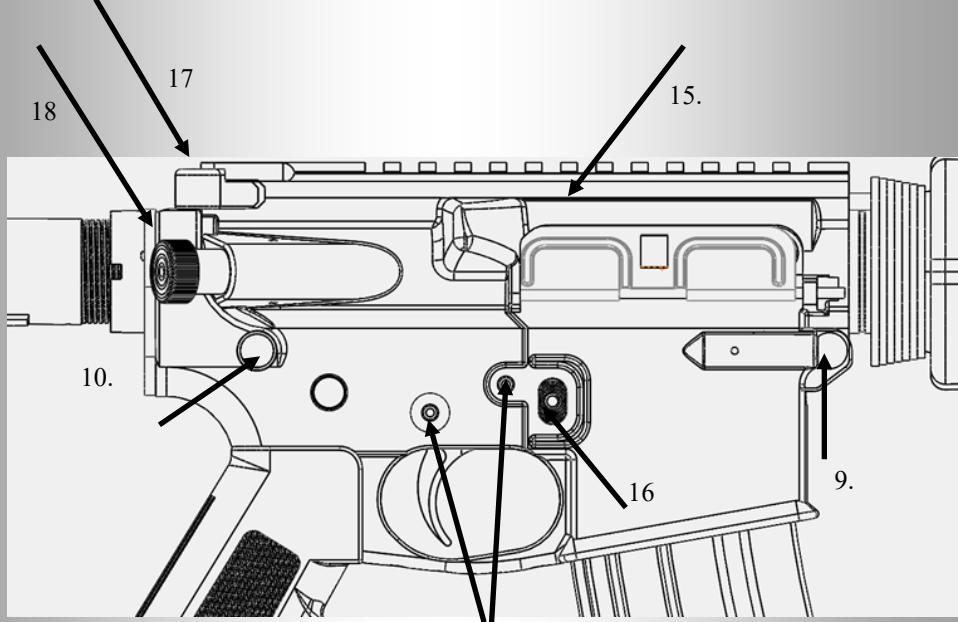
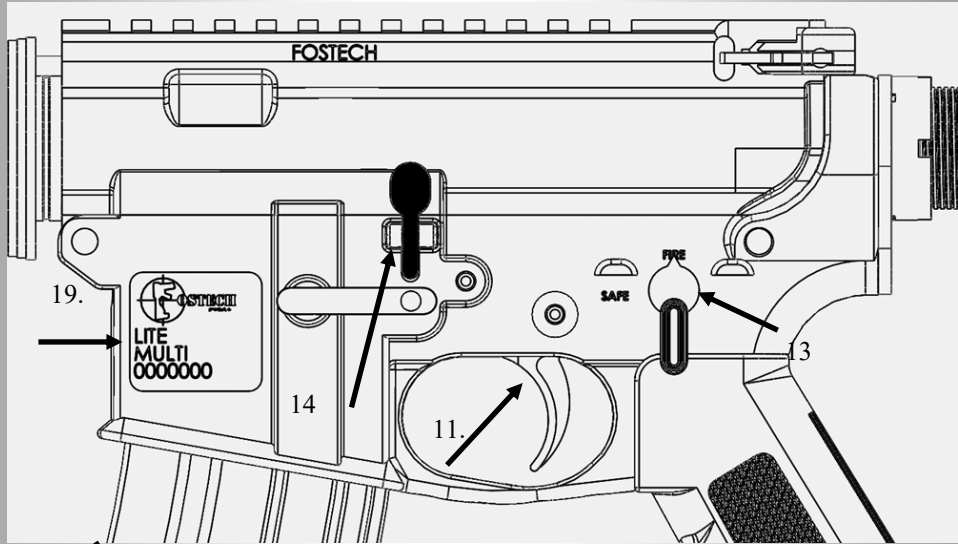
PICTURED ABOVE

1. Collapsible Stock
2. Buffer Tube
3. Grip
4. Magazine
5. Flash Hider
6. Handguard
7. Upper Receiver
8. Lower Receiver

PICTURED ON PAGE 11

9. Front Dust Cover Pin
10. Rear Dust Cover Pin
11. Trigger
12. Trigger Pins
13. Safety Selector
14. Bolt Catch
15. Ejection Port Cover
16. Magazine Release
17. Charge Handle Assembly
18. Forward Assist Assembly
19. FOSTECH Logo and Serial Number

# AR-15 SCHEMATIC



## GENERAL DESCRIPTION

The FosTech Fighter Series AR-15 is a semi-automatic firearm that operates by charging the action and releasing the bolt. The shell is extracted from the magazine and placed into the chamber for firing. It has a dust cover with a flat-top picatinny rail which allows for a variety of optics to be installed.

The Fighter Series AR-15 breaks down into two components: the Lower Receiver Assembly and the Upper Receiver Assembly. Both assemblies include the proprietary alloy material.

Before firing your new firearm, read the manual in its entirety. This includes but is not limited to the mechanics of firing the firearm, assembling the firearm, and disassembling the firearm. One should always know the location and proper working method of the safety and trigger of the firearm. The appropriate procedures of such operations and specifics are defined in detail throughout the manual and should be read and understood before loading or firing the weapon.

Nomenclature:

In conventional terminology regarding a firearm in the horizontal position, the stock is in the rear or rearward; the muzzle is in the front or forward; the rail for optics is upward or on top; the trigger is downward or on the bottom.



## GENERAL DESCRIPTION

### SERIAL NUMBER

The serial number is located on the left side of the receiver just below the Fostech Logo. Recording the serial number in the front of the manual is recommended for future reference.



**ALWAYS KEEP THE SAFETY IN THE SAFE POSITION UNLESS SHOOTING THE FIREARM. TREAT EVERY GUN AS IF IT IS LOADED WHETHER KNOWN TO BE OR NOT. THE MUZZLE SHOULD BE IN A SAFE DIRECTION AT ALL TIMES. FAILURE TO FOLLOW THESE INSTRUCTIONS COULD RESULT IN SERIOUS INJURY OR DEATH.**



**ALWAYS USE THE CORRECT CALIBER AND LENGTH OF SHELLS. IT IS RECOMMENDED TO EXAMINE EVERY SHELL BEFORE INSERTING IT INTO THE MAGAZINE. FAILURE TO DO THIS ACTION COULD RESULT IN SERIOUS INJURY OR DEATH.**



**THE RECEIVER IS LABELED AS MULTI CALIBER. THUS, MULTIPLE DIFFERENT CALIBERS CAN BE FIRED FROM THE SAME LOWER RECEIVER. IT IS UP TO THE OWNER OF THE FIREARM TO UNDERSTAND THIS CONCEPT AND FAILING TO FOLLOW THIS INFORMATION COULD RESULT IN SERIOUS INJURY OR DEATH.**

The above warnings are for your safety. The easiest way to destroy your FosTech Fighter Series AR-15 or cause serious bodily injury or death is to use ammunition not intended for your weapon.



# LOADING

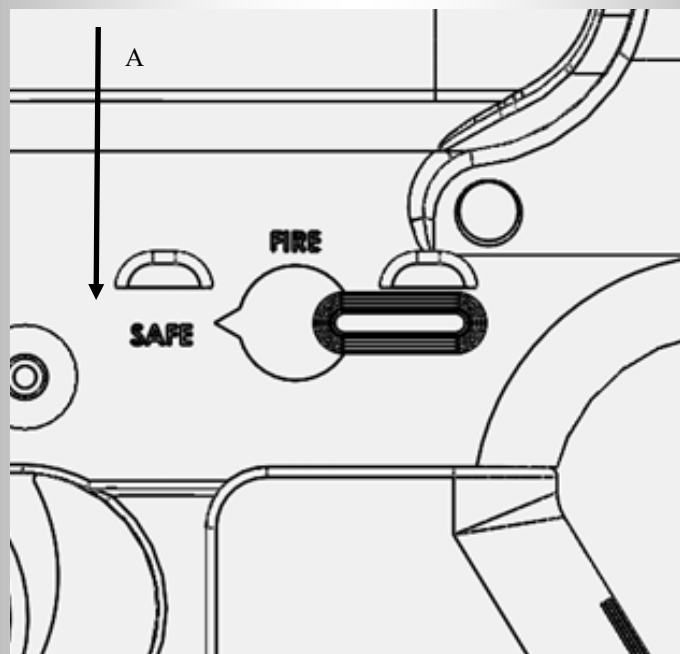
## LOADING THE SHELL INTO THE MAGAZINE

Place the shell in the appropriate position so that it can feed into the magazine. Place pressure with your thumb on the shell until it seeps into the tower of the magazine. Continue this process up to the capacity of the magazine.

## LOADING THE MAGAZINE INTO THE FIREARM

Ensure that the safety is in the SAFE Mode (A).

Using your charging handle, bring the carrier group rearward while lifting the bolt catch. This will cause your carrier to be locked into an open position. Insert your correctly loaded magazine directly into the magazine well.



## LOADING THE CHAMBER

### LOADING THE CHAMBER FROM THE MAGAZINE

Ensure that the safety is in the SAFE MODE. Once this is verified, press the BOLT CATCH to release the carrier assembly. This releases the carrier group and loads a round into the chamber. Once the safety is placed into the fire position the firearm is ready to be fired.

**Note:** The Fostech AR-15 Fighter Series rifles are equipped with a carrier assembly forward assist. If chambering a shell from the magazine to the firearm and the carrier assembly does not fully chamber the shell press the forward assist and the shell should load into the chamber. Otherwise lock the bolt and there are two methods to fully chamber the shell and lock the bolt.

#### Method A.

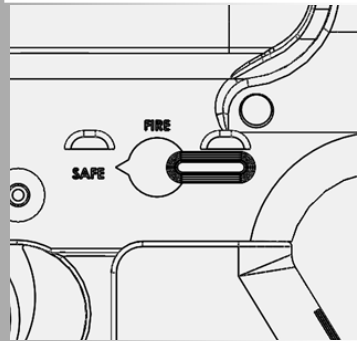
1. Ensure that the safety is in the SAFE MODE.
2. Remove the Magazine.
3. Using your charging handle, bring the carrier assembly rearward and manually eject the unspent shell.
4. Inspect the shell for damage before reinserting into the magazine.
5. Repeat the above instructions.

#### Method B.

1. Ensure that the safety is in the SAFE MODE.
2. Grasp the forward charging handle.
3. Pull the charging handle rearward enough to release spring tension and release the charging handle quickly.
4. If you pull the charging handle rearward beyond the next shell in the magazine, this will result in a double feed.
5. If a double feed occurs, you will need to execute **Method A.**

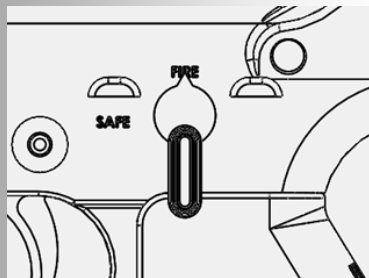


## SAFETY LEVER



**SAFE MODE**

The safety lever has two positions **FIRE** and **SAFE**



**FIRE MODE**



**SAFETY IS THE FIRST AND FOREMOST CONCERN WHEN HANDLING ANY FIREARM. ALWAYS KEEP THE MUZZLE POINTED IN A SAFE DIRECTION! KEEP YOUR FINGERS OUTSIDE THE TRIGGER AREA UNTIL YOU ARE AIMED AT A PROPER SAFE TARGET AND INTEND TO FIRE! KEEP THE SAFETY LEVER IN THE SAFE MODE UNTIL YOU ARE AIMED AT A PROPER TARGET AND ONLY THEN MOVE THE SAFETY LEVER TO THE FIRE MODE.**




**THE SAFETY LEVER IS NOT INTENDED AS A REPLACEMENT FOR SAFE GUN HANDLING PRACTICES. DO NOT RELY ON THE SAFETY LEVER ALONE TO KEEP YOU AND OTHERS SAFE.**





## OPERATION (FIRE CONTROL)

 NEVER CHAMBER A SHELL OR MOVE THE SAFETY FROM THE SAFE MODE UNLESS SHOOTING THE FIREARM IS IMMINENT. THE MUZZLE OF THE FIREARM SHOULD ALWAYS BE IN A SAFE DIRECTION. FAILURE TO FOLLOW THESE WARNINGS COULD LEAD TO SERIOUS INJURY OR DEATH.

1. Load a shell into the chamber. (as previously explained)

 THE WEAPON IS NOW READY TO BE FIRED BY PULLING THE TRIGGER. IF SHOOTING IS NOT IMMINENT THE SAFETY SHOULD STAY IN SAFE MODE.

2. With a shell in the chamber, and ready to fire, move the safety into the FIRE MODE, aim, and squeeze the trigger.
3. After a shell is fired, you can continue to pull the trigger at your own pace for the action of the gun has fully cycled a round and is reset for the next. You may continue to fire the weapon until the magazine in use is empty.
4. When you are done shooting verify the gun is empty by: placing the gun in SAFE MODE, releasing the magazine from the gun and moving the charging handle rearward and manually locking the carrier assembly open against the BOLT CATCH. Visually inspect the chamber to ensure that there are no shells left in the chamber. This is the recommended practice to ensure a safe firearm.



# UNLOADING

**!** WHEN UNLOADING YOUR FIREARM ENSURE THAT THE SAFETY IS IN THE SAFE MODE. KEEP THE MUZZLE POINTED IN A SAFE DIRECTION AND YOUR FINGERS AWAY FROM THE TRIGGER. FAILURE TO FOLLOW THESE WARNINGS COULD RESULT IN SERIOUS INJURY OR DEATH.

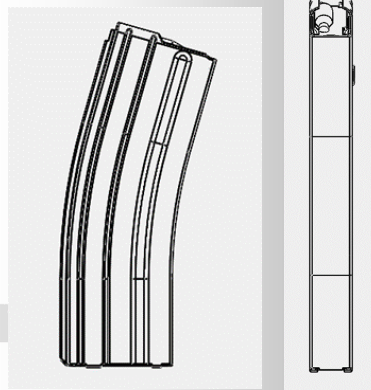
## UNLOADING YOUR FIREARM

1. Ensure that the safety is in the SAFE MODE.
2. Release the magazine by pressing the MAGAZINE RELEASE.
3. Pull the charging handle rearward and utilize the BOLT CATCH. Release and leave the action open. When there is a shell in the chamber, you must pull rearward with enough force to eject the unspent shell.
4. Visually check and verify that the chamber is unloaded and that the unspent shell ejected from the firearm.
5. The action can be left open for storage. This practice is helpful in identifying that the firearm is unloaded from a visual aspect.

## UNLOADING THE MAGAZINE

1. To unload the magazine, push down on the top of the rim of the shell and slide each shell out one at a time.

**!** ALWAYS VISUALLY INSPECT THE CHAMBER TO ENSURE THAT THERE IS NO AMMUNITION REMAINING IN THE CHAMBER.

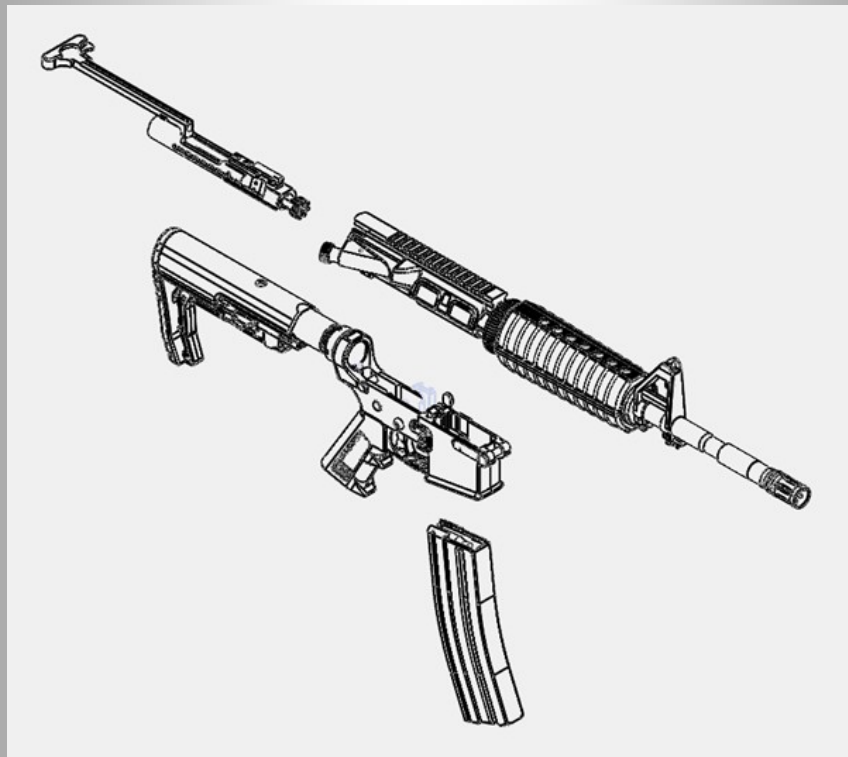


## MAINTENANCE

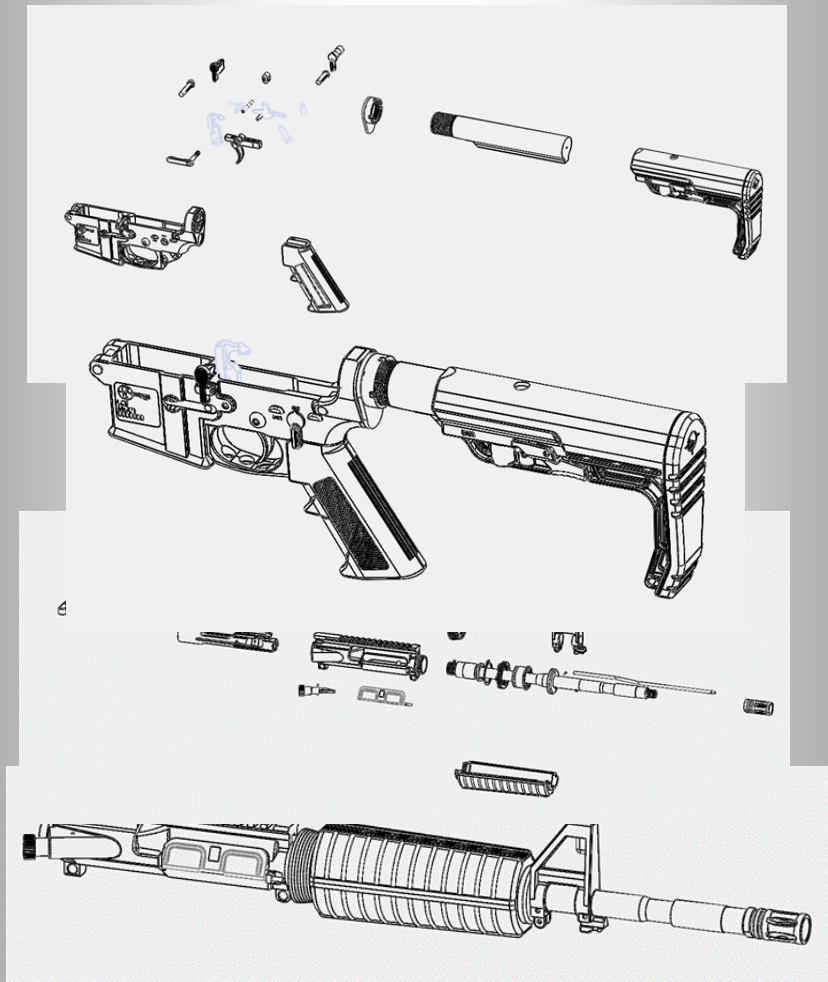
### FIELD STRIPPING AND CLEANING THE FIREARM:

It is recommended to clean the firearm after each use. This allows for minimal debris build-up and preserves the function of the firearm. Always wear eye protection when disassembling the firearm and or magazine.

1. Verify that the firearm is unloaded and the safety is in the SAFE MODE.
2. Remove the magazine.
3. Remove the upper receiver assembly from the lower receiver assembly.
4. Remove the charge handle and bolt carrier group.
6. Clean and Lubricate each part.
7. Repeat the above steps in reverse order to reassemble.



## MAINTENANCE



FOSTECH'S WARRANTY IS NULL AND VOID IF YOU DISASSEMBLE YOUR FIREARM FURTHER THAN EXPLAINED IN THIS MANUAL. THE FOSTECH AR-15 FIGHTER SERIES ARE A WELL-CRAFTED AND UNIQUELY ENGINEERED FIREARM WEAPON SYSTEMS. YOU MAY FOREVER DAMAGE THE FIREARM IN AN ATTEMPT TO DISASSEMBLE IT FURTHER. IF YOUR FIREARM NEEDS SERVICE OR REPAIR, PLEASE CONTACT FOSTECH AT 1-812-445-4028.

## **SERVICE & REPAIR**

If your firearm needs service or repair, please contact  
Fostech's Technical Department.  
1-812-445-4028

Do NOT send your firearm back to FosTech without speaking with FosTech and receiving a Repair Form. Once you receive the Repair Form, FosTech will provide shipping information.

When Shipping:

1. Ensure that the firearm is unloaded.
2. Remove all Accessories. FosTech will not be responsible for any accessories returned with the Repair.
3. Make sure that the package is secure in an approved shipping container, packed appropriately in a hard case, inside a cardboard box.
4. Ship using a FosTech approved Shipping Company. The firearm must be shipped Adult Signature Required and must be accompanied by the Repair Form.



**NEVER SEND AMMUNITION WITH YOUR FIREARM**

1-812-445-4028  
SALES@FOSTECH.US



## AR-15 FIGHTER SERIES



## FIGHTER SERIES ACCESSORIES



**TRIJICON MRO** MFG# MRO—



**TRIJICON RMR** MFG# RMR—



**BRIGAND ARMS RAIL** MFG#

BA-9 / BA-12 / BA-15

(COMES IN 3 LENGTHS, 9", 12", 15")



**SMOKE COMPOSITES STOCK**

MFG# SC—



**MAKO 45 FOREGRIP**

MFG# MAKO-FG



**MAKO MAGWELL GRIP**

MFG# MAKO-MG

FoSTECH

## FIGHTER SERIES ACCESSORIES



**HEX MAG — MFG # H-30**



**XPRODUCTS X15 — MFG # X-50**



**ECHO TRIGGER — MFG #ECHO**



**ATI TACTLITE STOCK RECOIL PAD —  
MFG #ECHO**



**ATI TACTLITE CHEEK RISER —  
MFG #CR-1 / CR-2  
(1INCH AND 2 INCH RISERS)**

TECH



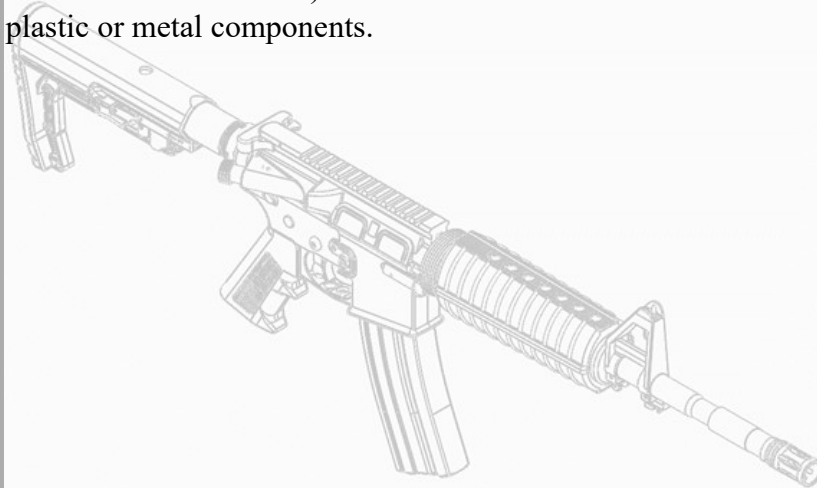
## LIMITED PRODUCT WARRANTY

### WARRANTY

FosTech warrants to the initial retail purchaser that the FosTech family of firearms to be free from defects in materials and workmanship when used under normal conditions. This FosTech warranty is applicable to the original or initial purchaser only and it is effective for the first 365 days after initial purchase. In order to be covered under FosTech's warranty, the purchaser must complete the warranty card and it must be received by FosTech.

This warranty is limited to the repair or replacement of the part or parts which are returned to FosTech and which are determined by FosTech to be defective. This warranty is not transferrable to anyone and applies only to the original purchaser of the firearm.

Items that are excluded from this warranty include: A.) Normal wear of finishes and of all metal or plastic parts. B.) Defects or malfunctions resulting from careless handling of the firearm. C.) Use of defective, old, improperly loaded, or incorrect gauge or caliber ammunition. D.) Scratches or external wear marks on the plastic or metal components.





**WWW.FOSTECH.US**



**PO BOX 383 SEYMOUR, IN 47274**

**EMAIL: SALES@FOSTECH.US**

**1-812-445-4028**