



**Zastava**  
a r m s

## **SEMI-AUTOMATIC RIFLE**



**PAP M90PS | 5.56X45MM**

**OWNER'S MANUAL AND SAFETY INSTRUCTIONS**



**ZASTAVA ARMS** name on the weapon that you now own represents quality, reliability and gunsmith tradition since 1853. Your weapon was made in accordance with strict requirements and standards. Only materials of the highest quality have been used for this type of products and tested by our quality control. This owner's manual is designed to assist you in learning how to use and care for your Zastava Arms® firearm properly. We want you to enjoy and practice safe shooting with your ZASTAVA weapon. You may be an experienced shooter, already familiar with the procedures in this Instruction manual, but we urge you to read this entire Instruction manual carefully. You must follow the safety instructions for your safety and the safety of others. Digital copy of this manual can be obtained from Zastava Arms USA website.

*Thank you for choosing our product!*



**IMPORTANT! READ THIS MANUAL BEFORE USING FIREARM!**



**SAFE FIREARM HANDLING OF IS YOUR SOLE RESPONSIBILITY AT ALL TIMES!**

**WARNING: ALWAYS KEEP AND CARRY YOUR FIREARM EMPTY  
TO AVOID ACCIDENTAL DISCHARGE!**

**WARNING : USE OF IMPROPER AMMUNITION CAN DESTROY YOUR FIREARMS**

**FOLLOW THE LAW! OBEY ALL LOCAL STATE AND FEDERAL LAWS  
REGARDING TRANSPORTING, STORAGE AND OPERATING YOUR FIREARM!**

**DO NOT USE YOUR FIREARM BEFORE YOU GET FAMILIAR WITH  
USING THIS FIREARM, SEEK PROPER TRAINING BEFORE USING IT FIRST!**

**WARNING: IF CARELESSLY OR IMPROPERLY HANDLED,  
UNINTENTIONAL FIREARM DISCHARGE COULD POTENTIALLY CAUSE INJURY, DEATH,  
OR DAMAGE TO PROPERTY.**

**WARNING: CLEANING AND DISCHARGING FIREARMS IN POORLY VENTILATED AREAS  
MAY RESULT IN EXPOSURE TO LEAD!**

**DO NOT ALTER YOUR FIREARM!**

**This firearm was assembled and tested to function properly in its original condition.  
Altering of your firearm voids the manufacturer's warranty.**

**THIS MANUAL SHOULD ALWAYS ACCOMPANY THIS FIREARM, AND BE TRANSFERRED WITH IT UPON CHANGE  
OF OWNERSHIP!**

## STATE-BY-STATE WARNINGS

Certain US states require by law their own specified warning notices, in larger than normal type be conspicuously included by the manufacturer, distributor, or retail dealer with firearms sold in that state. Zastava Arms sells its products in compliance with applicable laws and regulations. Because our products may be sold in these states, we include the following:

### **CALIFORNIA:**

“Children are attracted to and can operate firearms that can cause severe injuries or death. Prevent child access by always keeping guns locked away and unloaded when not in use. If you keep a loaded firearm where a child obtains and improperly uses it, you may be fined or sent to prison.”

### **ADVERTENCIA:**

““A los niños atraen las armas de fuego y las pueden hacer funcionar. Ellos pueden causarse lesiones graves y la muerte. Evite que los niños tengan acceso a las armas de fuego guardándolas siempre con llave y descargadas cuando no las esté utilizando. Si usted tiene una arma de fuego cargada en un lugar en que un niño tiene acceso a ella y la usa indebidamente, le pueden dar una multa o enviarlo a la cárcel.”

### **CONNECTICUT:**

“UNLAWFUL STORAGE OF A LOADED FIREARM MAY RESULT IN IMPRISONMENT OR FINE!”

### **FLORIDA:**

*“IT IS UNLAWFUL, AND PUNISHABLE BY IMPRISONMENT AND FINE, FOR ANY ADULT TO STORE OR LEAVE A FIREARM IN ANY PLACE WITHIN THE REACH OR EASY ACCESS OF A MINOR UNDER 18 YEARS OF AGE OR TO KNOWINGLY SELL OR OTHERWISE TRANSFER OWNERSHIP OR POSSESSION OF A FIREARM TO A MINOR OR A PERSON OF UNSOUND MIND.”*

### **MAINE:**

*“ENDANGERING THE WELFARE OF A CHILD IS A CRIME. IF YOU LEAVE A FIREARM AND AMMUNITION WITHIN EASY ACCESS OF A CHILD, YOU MAY BE SUBJECT TO FINE, IMPRISONMENT OR BOTH. KEEP FIREARMS AND AMMUNITION SEPARATE. KEEP FIREARMS AND AMMUNITION LOCKED UP. USE TRIGGER LOCKS.”*

### **MARYLAND:**

“**WARNING:** Children can operate firearms which may cause death or serious injury. It is a crime to store or leave a loaded firearm in any location where an individual knew or should have known that an unsupervised minor would gain access to the firearm. Store your firearm responsibly!”

### **MASSACHUSETTS:**

This firearm is not equipped with a device that fully blocks use by unauthorized users. More than 200,000 firearms like this one are stolen from their owners every year in the United States. In addition, there are more than a thousand suicides each year by younger children and teenagers who get access to firearms. Hundreds more die from accidental discharge. It is likely that many more children sustain serious wounds, or inflict such wounds accidentally on others.

In order to limit the chance of such misuse, it is imperative that you keep this weapon locked in a secure place and take other steps necessary to limit the possibility of theft or accident. Failure to take reasonable preventative steps may result in innocent lives being lost, and in some circumstances may result in your liability for these deaths.”

“IT IS UNLAWFUL TO STORE OR KEEP A FIREARM, RIFLE, SHOTGUN OR MACHINE GUN IN ANY PLACE UNLESS THAT WEAPON IS EQUIPPED WITH A TAMPER RESISTANT SAFETY DEVICE OR IS STORED OR KEPT IN A SECURELY LOCKED CONTAINER. ” - *FROM THE MASSACHUSETTS ATTORNEY GENERAL* “

### **NEW JERSEY:**

“IT IS A CRIMINAL OFFENSE TO LEAVE A LOADED FIREARM WITHIN EASY ACCESS OF A MINOR.”

### **NEW YORK CITY, NY:**

“THE USE OF A LOCKING DEVICE OR SAFETY LOCK IS ONLY ONE ASPECT OF RESPONSIBLE FIREARMS STORAGE. FOR INCREASED SAFETY, FIREARMS SHOULD BE STORED UNLOADED AND LOCKED IN A LOCATION THAT IS BOTH SEPARATE FROM THEIR AMMUNITION AND INACCESSIBLE TO CHILDREN AND OTHER UNAUTHORIZED PERSONS.”

### **NORTH CAROLINA:**

“Any person who resides in the same premises as a minor, owns or possesses a firearm, and stores or leaves the firearm (i) in a condition that the firearm can be discharged and (ii) in a manner that the person knew or should have known that an unsupervised minor would be able to gain access

to the firearm, is guilty of a Class 1 misdemeanor if a minor gains access to the firearm without the lawful permission of the minor’s parents or a person having charge of the minor and the minor:

- (1) Possesses it in violation of G.S. 14-269.2(b)
- (2) Exhibits it in a public place in a careless, angry, or threatening manner; (
- 3) Causes personal injury or death with it not in self defense; or
- (4) Uses it in the commission of a crime.!”

### **TEXAS:**

“IT IS UNLAWFUL TO STORE, TRANSPORT, OR ABANDON AN UNSECURED FIREARM IN A PLACE WHERE CHILDREN ARE LIKELY TO BE AND CAN OBTAIN ACCESS TO THE FIREARM.”

### **WISCONSIN:**

“IF YOU LEAVE A LOADED FIREARM WITHIN THE REACH OR EASY ACCESS OF A CHILD YOU MAY BE FINED OR IMPRISONED OR BOTH IF THE CHILD IMPROPERLY DISCHARGES, POSSESSES, OR EXHIBITS THE FIREARM.”

Please check with your licensed retailer, state police, or local police for additional warnings, which may be required by local law or regulation. Such regulations change constantly, and local authorities are in the best position to advise you on such legal matters.

## SECTION 1 SAFETY

### SAFETY GUIDES & PRECAUTIONS

- 1. ALWAYS HANDLE YOUR FIREARM AS IF IT WERE LOADED** so that you never accidentally discharge it when you think it is unloaded.
- 2. NEVER POINT YOUR FIREARM AT ANY UNDESIRABLE TARGET**, loaded or unloaded, as accidental discharge causing injury, death or damage to property might occur.
- 3. NEVER SQUEEZE THE TRIGGER OR PUT YOUR FINGER IN THE TRIGGER GUARD UNTIL YOU ARE AIMING AT A TARGET AND READY TO SHOOT.** This will prevent you from firing the firearm when it is pointing in an unsafe direction.
- 4. ALWAYS KEEP AND CARRY YOUR WEAPON EMPTY AND BLOCKED**, EXCEPT WHEN YOU INTEND TO SHOOT, SO THAT IT CANNOT BE FIRED WHEN YOU DO NOT MEAN IT.
- 5. NEVER DRINK ALCOHOLIC BEVERAGES OR TAKE DRUGS BEFORE OR DURING SHOOTING**, as your vision and judgment could be seriously impaired making your weapon handling unsafe.
- 6. NEVER INDULGE IN HORSEPLAY WHILE HOLDING YOUR WEAPON** AS IT MAY BE ACCIDENTALLY DISCHARGED.
- 7. NEVER LEAVE YOUR WEAPON READY TO FIRE**, SINCE THIS POSITION IS EXTREMELY DANGEROUS BECAUSE OF RISK OF ACCIDENTAL DISCHARGE CAUSING SERIOUS INJURY, DEATH OR DAMAGE TO PROPERTY.
- 8. NEVER LEAVE A LOADED WEAPON UNATTENDED.** There is always a chance that someone might use it, and causing injury, death or damage to property.
- 9. ALWAYS KEEP YOUR HANDS AWAY FROM THE BARREL AND EXTERNAL MOVING PARTS** OF THE WEAPON WHILE OPERATING, AS YOU CAN GET HURT.
- 10. ALWAYS BE SURE THAT BARREL INTERIOR IS CLEAN AND THAT THE BORE AND THE MUZZLE ARE CLEAR OF OBSTRUCTIONS.** Clean a fouled weapon immediately, so that it will function correctly and safely.
- 11. ALWAYS WEAR AND ENCOURAGE OTHERS TO WEAR EAR PROTECTION WHEN SHOOTING**, especially on a range. Without ear protection the noise from your weapon and other weapon close to you, could leave ringing in the ears for some time after firing, while the cumulative long term effect could be permanent hearing loss.
- 12. ALWAYS WEAR PROTECTIVE-SHOOTING GLASSES.** There's always a chance that gun powder, gas, carbon residue, lubricant, metallic particles, or other debris that may blow back and injure eyes of the shooter. Injury in such circumstances can be severe, including the possible loss of vision. ENCOURAGE OTHERS TO WEAR SAFETY GLASSES TOO!
- 13. ALWAYS USE ONLY COMMERCIALY MANUFACTURED AMMUNITION** IN GOOD CONDITION (CLEAN, DRY, ORIGINAL, HIGH GRADE) , WHICH IS APPROPRIATE TO THE CALIBER OF YOUR WEAPON.
- 14. NEVER USE AMMUNITION NOT SPECIFICALLY DESIGNATED FOR USE IN YOUR FIREARM.** FAILURE TO USE THE CORRECT TYPE OR CALIBER OF AMMUNITION MAY CAUSE THE FIREARM TO JAM, OR FAIL TO FIRE, OR MAY GENERATE EXCESSIVE PRESSURE WHICH CAN DAMAGE OR EVEN RUPTURE YOUR FIREARM, CAUSING PERSONAL INJURY OR DEATH TO YOU OR BYSTANDERS.

15. **NEVER SHOOT AT A HARD SURFACE OR AT WATER.** A bullet may ricochet and travel in any direction to strike you, or an object you cannot see, causing injury, death or damage to property.

16. **NEVER TAKE ANYONE'S WORD THAT A WEAPON IS UNLOADED!** Check it for yourself first, pointed in a safe direction.

17. **NEVER FIRE YOUR WEAPON NEAR AN ANIMAL UNLESS IT IS TRAINED TO ACCEPT THE NOISE;** an animal's startled reaction could injure it or cause an accident.

18. **ALWAYS BE SURE YOUR BACKSTOP IS ADEQUATE TO STOP AND CONTAIN BULLETS BEFORE BEGINNING TARGET PRACTICE, SO THAT YOU DO NOT HIT ANYTHING OUTSIDE THE RANGE SHOOTING AREA.**

19. **ALWAYS BE ABSOLUTELY SURE OF YOUR TARGET AND THE AREA BEHIND IT BEFORE YOU SQUEEZE THE TRIGGER.** A bullet could travel through or past our target.

20. **NEVER USE YOUR WEAPON IF IT FAILS TO FUNCTION PROPERLY, AND NEVER FORCE A JAMMED ACTION, AS A ROUND MAY EXPLODE CAUSING SEVERE DAMAGE TO YOUR WEAPON, SERIOUS INJURY OR POSSIBLE DEATH.**

21. **KEEP THE WEAPON POINTING TOWARDS THE BACKSTOP WHEN LOADING, FIRING AND UNLOADING, TO ELIMINATE THE RISK OF INJURY, DEATH OR DAMAGE TO PROPERTY.**

22. **ALWAYS INSTRUCT CHILDREN TO RESPECT FIREARMS.** Keep your weapon out of reach of children. The training of all, including children (age determined by law), should be performed by authorized people in institutions equipped and authorized for that kind of activity.

23. **ALWAYS MAKE SURE YOUR WEAPON IS NOT LOADED BEFORE CLEANING, STORING OR TRAVELING, MAGAZINE REMOVED FROM IT, BEFORE YOU STORE IT OR TRANSFER IT TO SOMEBODY ELSE, SO THAT IT CANNOT FIRE ACCIDENTALLY.**

24. **ALWAYS KEEP AND STORE YOUR WEAPON AND AMMUNITION IN SEPARATE LOCKED RECEPTACLES, OUT OF REACH AND SIGHT OF CHILDREN AND UNTRAINED PEOPLE.**

25. **THE SHOOTER (AND ALL BYSTANDERS) MUST BE OUT OF THE LINE OF FIRE** at all times and safe distance away from other shooters, since they may be struck by a ricochet, or by ejected cases from firearms.

**IN CASE OF MISFIRE:** When the weapon fails to fire, keep holding it pointed toward the target or a safe open area and wait at least 60 seconds. If a hang fire (slow ignition) has occurred, round will fire within 60 seconds. If round does not fire, remove magazine eject round, and examine primer. If firing pin indent on primer is light, off center, or non-existent, have the firearm examined by a competent gunsmith. If firing pin indent on primer appears normal (in comparison with similar previously fired rounds) assume faulty ammunition. Segregate mis-fired round from other live ammunition and empty cases, reload and carry on firing.

**LEAD WARNING:** CLEANING AND DISCHARGING FIREARMS in poorly ventilated areas may result in exposure to lead and other substances known to cause birth defects, reproductive harm and other serious injuries. Have adequate ventilation at all times when shooting. Wash hands thoroughly after exposure.

## SECTION 2

# OVERVIEW

## 2.1 ABOUT PAP M90PS SEMI-AUTOMATIC RIFLE

**Semi-automatic sporting rifle** Zastava **ZPAPM90**, originally designed for military and law enforcement use, also complies with US firearms import laws for civil & sporting use. PAPM90, most recent successor of Zastava's model M90 rifle is known worldwide for its dependability and accuracy. This firearm has been manufactured using high quality materials, factory pre-tested and quality control checked before shipping. Premium light-colored elm wood furniture on the stock model, gives this firearm a classic look every AK enthusiast is a fan of. Optional polymer furniture is also available with this rifle.

## 2.1 OPERATING PRINCIPLE

PAPM90 firing mechanism is based on gas exchange principle. Excess gases produced inside the barrel, are being returned back into the gas tube, where pressurised, gas pushes the bolt piston, that moves entire bolt assembly rearward and reactivates the firing procedure. simple pull of the trigger, until the magazine is empty.

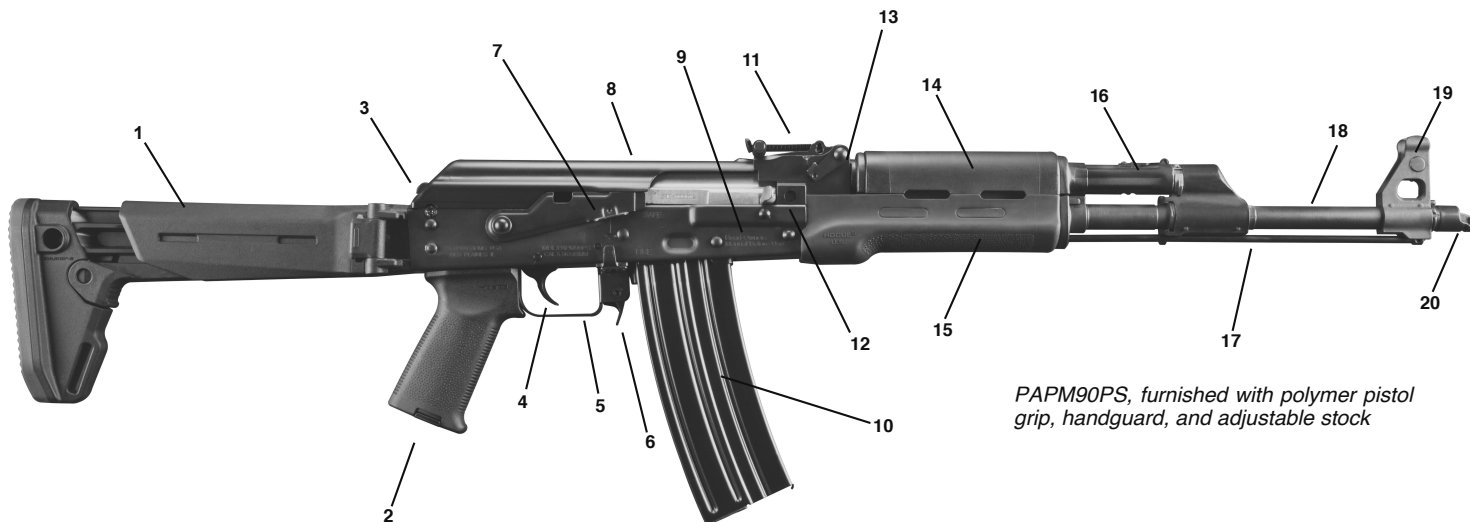
## 2.2 TECHNICAL SPECIFICATION:

<i>Type of firearm:</i>	<i>Semi-automatic rifle</i>
<i>Model:</i>	<i>PAP M90PS</i>
<i>Caliber:</i>	<i>5.56x45mm</i>
<i>Magazine Capacity:</i>	<i>10/30 rds.</i>
<i>Overall Length:</i>	<i>36 1/2"</i>
<i>Barrel Length:</i>	<i>16 3/4 "</i>
<i>Weight:</i>	<i>8 lbs.</i>

**IMPORTANT:** *This firearm comes factory pre-tested and fully inspected. The manufacturer cannot control product handling after it leaves the factory, therefore, please examine your firearm carefully at the time of purchase.*



## 2.3 OPERATING PARTS



*PAPM90PS, furnished with polymer pistol grip, handguard, and adjustable stock*

### ***Operating parts of PAP M90PS***

- 1.** Stock **2.** Pistol grip handle **3.** Recoil spring cam **4.** Trigger **5.** Trigger guard **6.** Magazine release lever  
**7.** Safety lever **8.** Receiver (dust) cover **9.** Receiver **10.** Magazine **11.** Rear sight **12.** Bolt cocking handle  
**13.** Gas tube (upper handguard) securing lock **14.** Upper handguard **15.** Lower handguard  
**16.** Gas tube **17.** Cleaning rod attachment **18.** Barrel **19.** Front sight **20.** Compensator

## SECTION 3 SAFETY

### 3.1 SAFETY FEATURES OF PAP M90PS

**CAUTION:** Always store your firearm in “SAFE” position when not in use! Firearm is considered in “SAFE” mode, when the lever is moved to its uppermost (up) position on the receiver.

PAPM90PS semi-automatic rifle comes equipped with safety locking mechanism that enables and disables firearm’s ability to fire **Safety Lever**, external part of the receiver, prevents your rifle from accidental and unintentional discharge.

Located on the right-hand side, above the trigger (picture #2), safety lever has two positions:

-“**SAFE**” (up) position. When safety lever is up, internal parts of safety mechanism block the trigger and bolt assembly movement, preventing your rifle from firing.

-“**FIRE**” (down) position. When safety lever is in the lower position, trigger is unlocked, the bolt is fully exposed and free to travel, and firearm is enabled for fire, when trigger is pulled! (picture #4.)

**Bolt handle**, external part of bolt assembly is located on right hand side, and it’s used for pulling the bolt rearward. When bolt handle is drawn backwards, a cartridge gets stripped from the top of the magazine and loaded into the firing chamber. While traveling backwards, bolt assembly also cocks the hammer, making the rifle ready to fire. Drawing the bolt handle back is also being used for checking the firing chamber condition and for manually ejecting cartridges in cases of misfire or jams . (picture 3.)



**Picture #2 SAFETY ENGAGED!** Bolt is covered and the trigger is blocked from full travel. **FIRE DISABLED!**



**Picture #3 Bolt (cocking) handle** is located on right-hand side of the firearm used for pulling bolt rearward.

**WARNING: PULING THE TRIGGER WHEN SAFETY LEVER IS IN “FIRE” POSITION WILL RESULT YOUR RIFLE FIRING! KEEP FINGERS AWAY FROM THE TRIGGER!**

**Bolt Catch:** To use this feature, move the safety lever to “FIRE” position. Pull the bolt handle backwards with one hand, while lifting the safety lever up towards the “SAFE” position. Secure the bolt handle by placing it inside designated “catch” hole on the safety lever. Safety lever will hold the bolt handle securely in the rear position, fully exposing the firing chamber (*picture #5*). To release the bolt from the catch hole, firmly pull the bolt handle backwards with one hand, while lowering the safety lever to FIRE position with other hand. Once freed from the catch, bolt handle will be affected by force of the coil spring, pushing it forward. Return the bolt handle gently to home(forward) position.

**CAUTION: DO NOT DISENGAGE THE SAFETY UNTILL BARREL HAS BEEN POINTED IN SAFE DIRECTION AND YOU ARE READY TO FIRE!**

Safety lever should not extend below the safety lever stop on the bottom of the receiver, or rise past the receiver(dust) cover. If this occurs, have the rifle inspected by a competent gunsmith before further use.

**CAUTION: TO AVOID INJURIES DURING FIRING, ALWAYS KEEP YOUR FINGERS AND OTHER PARTS OF YOUR BODY AWAY FROM THE COCKING HANDLE AND FROM THE EJECTION PORT.**



**Picture #4 Safety disengaged!** Bolt is fully exposed and the trigger has full travel. **FIRE ENABLED!**



**Picture #5 BOLT CATCH - Safety engaged!** Bolt is exposed, blocked and the trigger is blocked from full travel. **FIRE DISABLED!**

## SECTION 4 HANDLING

### 4.1 RIFLE INSPECTION AND PREPARATION FOR INITIAL USE

Your Zastava firearm comes pre-inspected and pre-tested. However, we advise you to perform initial check of the entire rifle, clean and lubricate it, once unpacked. If you are not familiar with this procedure, please refer to CLEANING chapter (5.2) in this owners manual for detailed instructions.

If you notice any defects, or encounter malfunctions on the firearm, please contact Zastava Arms USA immediately (see page 30). If your rifle is clean and has no visual damage it is now ready to use.

#### **CAUTION: TREAT FIREARMS AS IF THEY ARE LOADED AT ALL TIMES!**

Use the following procedure to check that your rifle is unloaded and clear of any ammunition:

- Have your ZPAP rifle pointed in the safe direction, and safety lever is in the upper (SAFE) position (picture2)
- Depress the magazine release lever with your thumb and pull down the magazine to separate it from the receiver (Picture #6)
- Move the safety lever to the "FIRE" position
- Pull the bolt cocking handle all the way backward (Picture 7) and visually check the receiver. Make sure no cartridge is

#### **WARNING: KEEP YOUR FINGERS OFF THE TRIGGER!**

When magazine is removed and safety lever is in FIRE position, your rifle will fire if trigger is pulled and there is a cartridge present in the chamber.

-If there is a cartridge present in the chamber after removing the magazine, pulling the bolt cocking handle should eject it from the receiver.

If this technique does not help, slowly return the bolt cocking handle to initial (home) position. Return it slowly to forward position, without allowing it to impact the back of the cartridge casing. Disassemble the firearm by following the instructions from FIELD STRIPPING chapter(5.1), to safely remove the cartridge. If you are still unable to remove the cartridge casing after field stripping procedure, do not reassemble the rifle! Take it to authorized repair shop or consult qualified gunsmith. If your firearm has been clear of any dirt, oil and foreign objects, you may proceed with loading procedure.



**Picture #6**  
*RELEASE MAGAZINE by pressing the magazine release lever forward*



**Picture #7**  
*Pull Bolt charging handle all the way back to expose the chamber*

## 4.2 AMMUNITION

**WARNING: USE ONLY ORIGINAL COMMERCIAL MANUFACTURED AMMUNITION WITH CORRECT CALIBER FOR YOUR FIREARM!**

**CAUTION: Death, serious injury, and severe damage to your firearm can result from the use of wrong ammunition!**

Only usage of the correct caliber ammunition for your firearm has been suggested! The proper caliber for PAP M90PS model is 5.56mm(.223) ! Never attempt to use ammunition of any other caliber.

**DO NOT USE** dirty, wet, corroded, bent, or damaged rounds. Use of such cartridges can lead to a burst cartridge case and consequent damage to the firearm and personal injury from the sudden escape of high-pressure propellant gas within the firearm's mechanism. Do not spray aerosol-type lubricants, preservatives, or cleaners directly onto cartridges or where excess spray may flow into contact with cartridges. ***Lubricant on cartridges can cause ammunition malfunctions which can be potentially dangerous.***

**WARNING: DO NOT USE ANY NON-STANDARD "RE-MANUFACTURED" HAND-LOADED (RELOADED) AMMUNITION!**

If you use reloaded, "remanufactured" hand-loaded, or other non-standard ammunition all warranties for your firearm will be voided. Improperly loaded ammunition can be extremely dangerous. Severe damage to the firearm and serious injury to the shooter or to others may result. Always use ammunition that complies with the industry

performance standards established by the Sporting Arms and Ammunition Manufacturers' Institute, Inc. (SAAMI) of the United States or ammunition manufactured to military specifications.

## 4.3 LODGED BULLET

Bullets can occasionally get lodged (stuck) in the barrel if the loaded cartridge has insufficient propellant powder, or if the powder fails to ignite. In some cases, ignition of the cartridge primer alone will push the bullet out of the cartridge case, but usually does not generate sufficient energy to push the bullet completely out from the barrel.

If a bullet is obstructing the barrel, immediately unload the firearm and look through the bore. It is not sufficient to merely look and check the firing chamber. A bullet may be lodged some distance down the barrel where it cannot easily be seen.

**WARNING: IF A BULLET IS STUCK IN THE BARREL, DO NOT ATTEMPT TO SHOOT IT OUT BY USING ANOTHER CARTRIDGE OR BY BLOWING IT OUT WITH A BLANK. SUCH PROCEDURE CAN GENERATE EXCESSIVE PRESSURE, DAMAGE THE FIREARM, AND CAUSE SERIOUS PERSONAL INJURY.**

Try forcing the bullet forward with a cleaning rod instead. Clean any unburned powder grain from the barrel, chamber and shooting mechanism before you resume shooting. If you can't dislodge bullet by taping it with a cleaning rod, please seek help from qualified gunsmith or authorized repair shop.

## 4.4 LOADING THE FIREARM

**WARNING: DO NOT START LOADING YOUR FIREARM UNTIL YOU HAVE FULLY READ AND UNDERSTAND THIS MANUAL AND YOUR FIREARM FUNCTIONS! KEEP YOUR FINGERS AWAY FROM THE TRIGGER!**

1. **Place safety lever UP** in “**SAFE**” position and detach magazine from the firearm (page 12).
2. Visually inspect ammunition rounds. Look for potential dents and manufacturers defects (**cartridge case bulged or ruptured**). We do not suggest using reloaded ammunition with this rifle. Use only the correct ammunition, designated for your rifle model! Feeding wrong caliber cartridges into magazine can lead to jamming, internal rifle mechanism parts defects and personal injuries!
3. **Load the cartridges into magazine** by pressing the round, one at a time, between the spring-loaded magazine’s feed lips. Rear of the cartridge should be entering the magazine first (**picture #8**) Press down and push back, until it locks, securely inside the magazine. Repeat the same procedure until the magazine is full (30 rounds). A third party made magazine loading tools can also be used to aid safer and faster loading.
4. **Install the loaded magazine** by tilting it rearward, then inserting into the receiver, so that front lip securely latches into the front wall of the magazine well (**picture 9.1**). Rotate bottom of the magazine rearward until the magazine release lever locks onto the rear locking surface of the magazine. Pull on the magazine to ensure it’s fully seated and securely locked in receiver bay (**picture #9.2**).



*Picture #8 Loading cartridges*



*Picture #9.1 Attaching the magazine*



*Picture #9.2 Attaching the magazine*

## 4.5 FIRING THE RIFLE

1. Point your firearm in safe direction, and return safety lever down to enable “FIRE” mode. **Use extreme caution when handling your firearm in this mode**
2. Action of pulling back the bolt cocking handle backward and releasing it, will strip the cartridge from loaded magazine and into the chamber. **YOUR RIFLE IS NOW READY TO FIRE! Keep the barrel pointed in safe direction and use extreme caution!**
3. Aim downrange, towards the target. Align front and rear sights.
4. Squeeze the trigger gently! Your rifle will fire single round! Due to state and federal laws, US models of this firearm fire only in single mode (single round per trigger squeeze, until the magazine is empty).

**WARNING: DURING THE FIRING PROCESS BOLT HANDLE MOVES BACKWARD AND FORWARD! KEEP FINGERS CLEAR!**

*Being a semi-automatic rifle, Zastava ZPAP rifle's action (its moving parts) will cycle each time the round is fired. As the bolt moves rearward, the extractor will pull the empty cartridge case from the chamber and eject it from the rifle. Keep right hand side clear, and make sure there are no bystanders in close proximity on either side of the rifle. Keep your hands clear from the ejection port as injuries from the ejected cartridge case or gases expelled from the rifle can occur.*

7. When the last round is fired, and firing cycle has finished, your rifle's safety lever should be set back to “SAFE” position! If you wish to cease firing before the magazine goes empty, secure your rifle by flipping up the safety lever up to SAFE position!
8. Remove the magazine and replace with loaded one, or leave the empty one attached, if you are done shooting.
9. Check the rifle's chamber to ensure it does not contain a round by placing the safety lever in the “FIRE” position, and by pulling the bolt cocking handle back (and holding it firmly). Look into the chamber through the ejection port while keeping the rifle pointed in a safe direction. If the chamber is clear, release the bolt cocking handle and return the safety lever to the “SAFE” position.

**WARNING: STOP SHOOTING IMMEDIATELY AND UNLOAD YOUR FIREARM** if one of these situations develop:

1. A mechanical malfunction
2. binding or stoppage
3. powder/ gas spitting
4. Firing rifle does not sound quite right! Unload your firearm and take it to a qualified gunsmith or authorized repair shop for examination. **If your rifle ever fails to fire keep it pointed at the target for at least 30 seconds in the event of a hang-fire (slow ignition). If the round still does not fire, remove the magazine, eject and discard the bad round. Reload the firearm to resume firing.**

**CAUTION:** After three magazines were fired without intermission (90 rounds), the firearms should be left to cool down, to avoid barrel overheating.

## 4.6 UNLOADING THE RIFLE

**WARNING:** Always keep magazine detached from the rifle, when not in use, when cleaning, storing or transporting it, to prevent accidental discharge!

Follow these 3 steps to detach the magazine from the rifle:

1. Place the SAFETY selector up to “SAFE” position.
2. Remove the magazine by depressing the magazine release lever with your thumb, while pulling magazine down.
3. Detach the magazine from the receiver by tilting it toward the muzzle end of the rifle and remove it from the magazine well in the receiver.

**After firing all the rounds,** magazine should be empty, with no rounds left. However, if removed before firing all available rounds, or your rifle has misfired, a cartridge is still going to be inside the firing chamber. In order to safely, **COMPLETELY UNLOAD** your rifle, you must eject the chambered round by following this procedure:

1. Point the rifle in safe direction. Keep your fingers away from trigger!
2. Push down the safety selector to “FIRE” mode
4. Pull the bolt cocking handle all the way back. This movement should force the round out of the chamber through the ejector port.
5. If the cartridge is extracted return the safety lever UP to “SAFE” mode position! **If you were unable to extract the cartridge, see “Dealing with jams” from the next topic.**

**CAUTION:** Never assume that the firearm is empty merely because you checked the chamber. You must also check the bore for any fired shot or round jammed inside the barrel.

## 4.7 PROCEDURE FOR DEALING WITH JAMS

Your zastava ZPAP rifle should function reliably if well maintained. However, in certain situations, a malfunction may occur due to a cartridge or a bullet jam. In case of a cartridge jam, pull bolt cocking handle several times to try to eject it out. If this does not eject the cartridge, ride the bolt cocking handle home (slowly allow it to return to its forward position without allowing it to impact the back of the cartridge casing). Follow the instructions found in FIELD STRIPING (section 5.1), to field strip your rifle before attempting to remove the cartridge. If you are still unable to remove the cartridge casing after field stripping your firearm, do not reassemble it back! Take it to a qualified gunsmith. Also, see **LODGED BULLET** section on page 13 for procedure when dealing with lodged bullets...

**CAUTION: PREVENT MALFUNCTIONS BY CLEANING YOUR RIFLE AFTER EACH SHOOTING SESSION!**

*IF A BULLET EVER GETS STUCK IN THE BORE, DO NOT ATTEMPT TO SHOOT IT OUT BY USING ANOTHER CARTRIDGE OR BY BLOWING IT OUT WITH A BLANK OR ONE FROM WHICH THE BULLET HAS BEEN REMOVED. THIS TECHNIQUES CAN GENERATE EXCESSIVE PRESSURE, DAMAGE THE FIREARM, AND CAUSE SERIOUS PERSONAL INJURY.*



## 4.8 SIGHT ADJUSTMENT AND AMMUNITION

The ammunition should be purchased in original factory packages with exact caliber and mass of projectile. If the same ammunition is always used, the need for correction of sight is eliminated. The ammunition of unknown origin, oxidized, damaged or hand-loaded ammunition should NOT be used as it may cause malfunctions or heavy damages.

Since ammunition of different manufacturers might have different characteristics, it can cause a drop of trajectory and deviation of shots from the aiming point. To solve this problem and easily eliminate the differences in ammunition and aiming in regards to the factory setting of sight, your rifle is provided with built-in iron adjustable sights.

Front sight can be corrected for elevation and windage, with a special sight adjusting tool (optional- not provided with rifle). It's suggested that sighting of your rifle is performed by qualified armorer. Your Zastava PAP M90PS rifle comes factory sighted, and firing accuracy tested.

The rear sight is equipped with a slide, suitable for field sight height adjustment. You can raise the elevation of the rear sight by depressing both sides of the slide, and pushing it forward (toward the larger number). Numbers on the top of the sight rail signify number of meters (x100). Maximum effective range of this rifle is around 300 meters (approximately 1000ft).



*Front sight*



*Rear sight*

## SECTION 5

# MAINTENANCE

### 5.1 FIELD STRIPING ( DISASSEMBLY)

**CAUTION: YOUR FIREARM MUST BE COMPLETELY UNLOADED BEFORE YOU START THE STRIPPING!**

To disassemble (strip) your firearm, use following procedure:

1. **Detach magazine** from the rifle (picture #10, page 12)  
2. **Move the SAFETY lever to “FIRE”** position by sliding the safety selector down.

3. **Check that firing chamber is clear**, so it does not contain any cartridges. Pull back the bolt cocking handle (**picture #10**) and lock it in place with the bolt catch on the safety lever (picture 5). Inspect the firing chamber to ensure no cartridges are still inside. Once determined that the chamber is empty, push down on the safety lever and let the bolt go back forward to home position.

#### 4. Removing the receiver (dust) cover

-By holding the firearm in a secure position (across your lap, resting on a table, etc.) depress a spring lock button on the left side of the receiver, to enable depressing the rear spring guide to remove the receiver (dust) cover.

-Press the recoil spring cam forward while holding the button, and raise the receiver cover from the back end with your other hand. (**picture #12.**)



Picture #10 Pull the bolt handle



Picture #11 Unlocking the cover

5. **Remove recoil spring assembly** from the firearm. Hold the forward part of the receiver with one hand and press on the back of the recoil spring cam with other hand until its rear face leaves the groove, at the rear of the receiver. Lift the recoil spring cam and remove recoil spring assembly from the bolt carrier channel (**picture #13**)

**USE PROTECTIVE EYEWEAR TO PREVENT EYE INJURIES! POINT MUZZLE IN SAFE DIRECTION!**



Picture #12 Raising the dust cover



Picture #13 Remove the recoil spring

**Use caution when field stripping your firearm, as spring and other parts may become dislodged during disassembly process!**

6. **Remove bolt and bolt carrier** from the firearm by holding the receiver with one of your hands and the cocking handle with your other hand. Pull the bolt carrier and bolt to the rear, as far as possible. Once the back of the bolt carrier contacts the back plate of the receiver, release pressure on the bolt cocking handle, this will allow the bolt carrier to move up and off the receiver rails. Lift the rear portion of the bolt carrier and remove it and the bolt from the receiver. (picture #14)

7. **Separate bolt from the carrier** by turning the bolt carrier over and holding it in your left hand. Rotate the top of the bolt to the right and move it rearward with your right hand so that the guide lug on the bolt leaves the channel in the bolt carrier. You can now remove the bolt from the bolt carrier by moving it forward and out of its guide hole. (picture #15)

8. **Remove the gas tube assembly and upper hand guard.** Rotate the **gas tube locking lever (see picture #16)** clockwise, until it's in vertical position and gas tube is unlocked. **NOTE:** Locking lever securely locks the gas tube. If not properly cleaned and lubed, occasionally it might be difficult to unlock. Lift the gas tube end vertically, out of its groove in the rear sight base and slide out the front end of the gas tube from the gas block (picture #16).



**Picture #14** Remove bolt and carrier



**Picture #15** Separate bolt from carrier



**Picture #16** Remove gas tube (upper hand guard assembly)

## 5.2 CLEANING

### **CAUTION : PROTECT YOUR EYES! ALWAYS WEAR EYE PROTECTION WHEN CLEANING YOUR FIREARM!**

*To ensure long life, safer functioning and performance of your the firearm, it is necessary to properly clean and maintain it. Follow the advice in this manual to keep it in peak operating condition!*

#### **WHEN TO CLEAN:**

**-Before shooting**, your rifle should be wiped clean, and the barrel must be dry. Failure to do this may result in increasing soot deposits on the barrel bore, walls and bulging of the barrel.

**-As soon possible after firing**, the rifle must be cleaned and wiped dry, and the barrel lubricated with oil. Thanks to its chemical composition the oil dissolves the soot residuals in the barrel bore. Your job will be easier and there will be less opportunity for corrosion to start.

**-Before storing**, it is advised that rifle should be thoroughly cleaned and lightly lubricated. Apply light coat of high quality gun oil to all well cleaned metal surfaces, to prevent exposure to moisture. Remove excess lubrication. The most suitable place for keeping firearms is a safely locked cabinet, in a dry room, not exposed to a heat source.

**-When removed from storage**, and before using the rifle again, barrel bore (inner cavity) and inside elements should be dry and free of any obstructions. Use cleaning rod , cloth and patch to remove any existing buildups.

**-When your rifle has not been fired**, clean it periodically, every few months, or once a month if storing conditions are unfavorable. When your rifle is being carried outside, the it gets exposed to dust or moisture (dew, rain, snow) and therefore requires cleaning and lubrication. It is advised that you **clean your rifle even if it's not fired from!**

*A poorly maintained and corroded firearm with soot in barrel caused by powder gases and deposits of dirt, oxidized and damaged parts of mechanisms result not only in improper function and shortening of life, but may also be a life hazard to the shooter and his companionship.*

**CLEANING MATERIALS:** Cleaning rod, lubrication brush, cotton flannel patches (cut to fit into the bore), lubrication oil and gun cleaning solution to eliminate powder deposits. It is advised to use well-known oils intended for this purpose.

### **CLEANING PROCEDURE:**

Clean the barrel from soot deposits with the barrel cleaner and rags changing rags several times until the last rag comes out clean which means that the barrel is well cleaned. After that lubricate the barrel with oil using the brush. Two-three days later inspect the barrel and wipe it again with a rag wrapped around the barrel cleaner until the rag comes out clean. Upon wiping lubricate the barrel again.

The following cleaning procedure may be used both periodically and after firing:

1. **CAUTION:** Ensure that the firearm is not loaded.
2. Strip for cleaning as described in this Instruction manual.
3. The brush dipped into gun cleaning solution pass through the barrel several times to eliminate powder deposits.
4. With the same brush, clean the grooves on the slide, frame, slide interior and top surface of the insert in frame.
5. Attach cotton flannel patch to end of cleaning rod and pass it through the barrel several times to eliminate dirt and powder deposits. Change the patches until the last patch comes out clean.
6. With cotton flannel patches clean external surfaces of the barrel, slide interior and the frame.
7. After cleaning, lubricate the barrel and other metal parts with oil.

**If ambient temperature is below 0° C (32° F) avoid use of lubrication oil. Instead, apply a dry lubricant sparingly.**

**CAUTION: Using a firearm with presence of oil, grease or any other material, even partially obstructing the bore may result in damage to the firearm and injury to the shooter and nearby persons. DO NOT APPLY OR SPRAY LUBRICANTS DIRECTLY ON AMMUNITION!**

If affected by the lubricant, the powder charge of a cartridge may not be ignited, and the sole energy from the primer may be sufficient enough to push the bullet forward into the bore, and get it lodged. If you fire a subsequent bullet into the obstructed bore, it will damage the firearm and may cause injury to the operator and those near vicinity. Use lubricants properly!

## 5.3 REASSEMBLY

1. **Attach the gas tube assembly and upper handguard** by holding the firearm with one hand, and install the front end of the gas tube on the gas block with other hand. **(picture #17)**. Align the gas tube end with groove in the rear sight base, and push it downward until it is fully seated in the rear sight base. When the gas tube assembly is fully seated in the rear sight base, the gas tube securing pin will move out and over the gas tube, to lock it in place.



Picture #17

2. **Install the bolt back into the bolt carrier.** Hold the bolt carrier upside-down in one hand, with the gas piston facing away from you. Take the bolt in your other hand, with bolt face facing away from you, and the guide lug facing upward. Insert the bolt shaft into the guide hole on the bolt carrier and bring the bolt fully rearward. Align the bolt guide lug with the channel in the bolt carrier and rotate the bolt counter-clockwise. Once the guide lug has entered the channel in the bolt carrier, continue to rotate until the bolt has moved fully forward. **(picture #18)**



Picture #18

3. **Make sure that the hammer is cocked** (locked underneath the sear) before attempting to install the bolt carrier!

4. **Install the bolt and bolt carrier back into the receiver** by holding the forward portion of the receiver with one hand, and take the bolt and bolt carrier with other hand. Ensure that your thumb is placed on the back of the bolt to hold it fully forward.



Picture #19

5. **Insert the gas piston into the gas tube end (picture #19)** and align the back face of the bolt carrier with the inside face of the back plate of the receiver. Depress the bolt carrier against the pressure from the hammer spring using the heel of your right hand, so that the guide grooves on the sides of the bolt carrier are aligned with rails on the receiver.

6. **Move the bolt carrier to its fully forward position (picture #20).**

7. **Install the recoil spring assembly** by holding the forward portion of the receiver in one, while inserting the recoil spring retainer into the bolt carrier channel with your other hand (picture #21). Push the recoil spring cam forward, placing its guide lugs in front of the grooves, inside receiver's rear plate. Depress the recoil spring cam until its guide lugs are aligned with the channel on the top of the receiver rear plate. Release pressure on the recoil spring cam which will allow it to move rearward and lock into the receiver.

8. **Install the dust cover.** Insert the front edge of the cover into the groove in the back of the rear sight base. With the palm of your hand, push the back of the cover forward and downward, until it is seated into the receiver. Press the spring loaded release button, which will slide the recoil spring cam to the locked position.

9. **Release the hammer.** Pull the trigger and move the safety lever to the "SAFE" position.



Picture #20



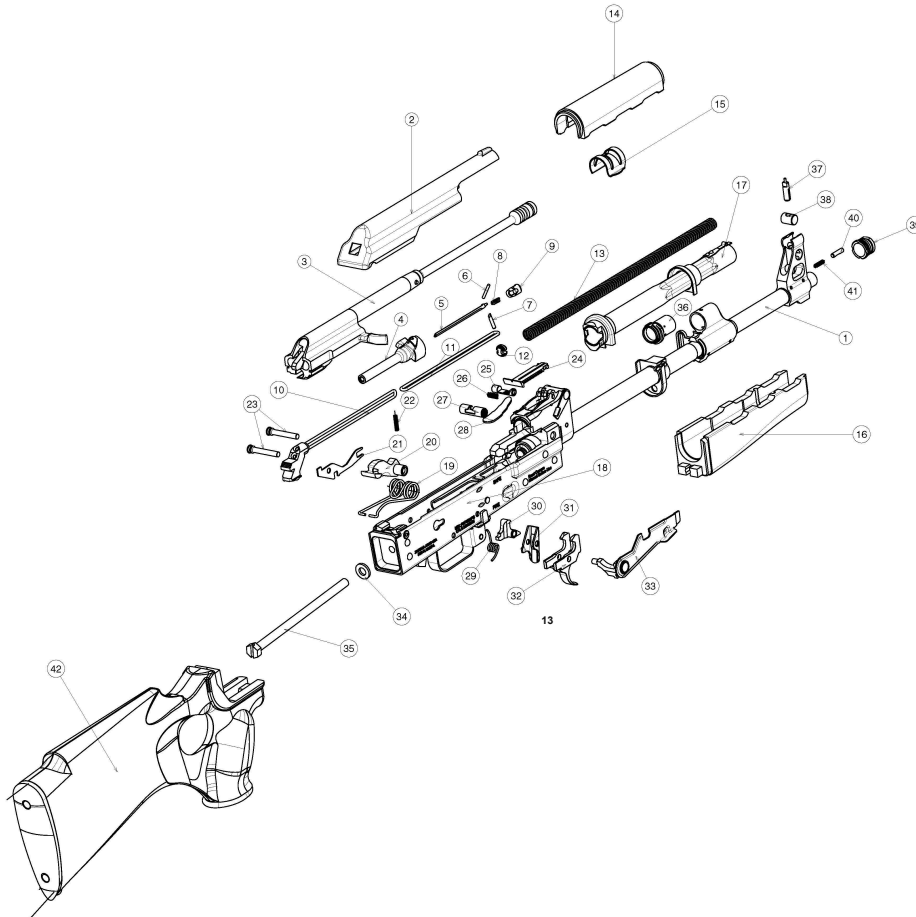
Picture #21



Picture #22

# PAP M90PS

## SECTION 6 PARTS



**PAP M90PS**  
5.56x45mm  
*exploded part view*



## PAP M90PS - PART LIST

No.	Part number	Part name
1		BARREL - RECEIVER assembly
2	5698	Cover
3	9868	Bolt body carrier, inseparable assembly
4	9870	Bolt body
5	9871	Firing pin
6	9874	Firing pin catch
7	9873	Extractor fixing pin
8	3035	Extractor spring
9	9872	Extractor
10	3067	Recoil mechanism guide body, inseparable assembly
11	3064	Recoil mechanism front guide
12	3063	Recoil spring catch
13	3157	Recoil spring
14	3055	Upper handguard
15	3056	Wooden handguard spring
16	130578	Lower handguard
17	9238	Cylinder, inseparable assembly
18		Receiver, inseparable assembly
19	3087	Hammer spring
20	101442	Hammer
21	133911	Fixing plate
22	3092	Sear spring
23	3089	Trigger axle
24	6860	Leaf
25	3080	Slide cam
26	3074	Slide cam spring
27	3079	Slide
28	3073	Leaf spring

No.	Part number	Part name
29	3006	Magazine catch spring
30	101478	Sear
31	5682	Magazine catch
32	3094	Trigger
33	133915	Fire selector lever, inseparable assembly
34	5662	Washer
35	127104	Stock screw
36	7356	Gas flow regulator
37	3068	Front sight post
38	3072	Front sight post carrier
39	130540	Protective ring
40	3081	Front sight detent
41	3083	Front sight detent spring
42	133914	Stock, assembly

## LIMITED PARTS REPLACEMENT WARRANTY

The enclosed firearm is warranted to be free of manufacturing defects for a period of one year from the original date of purchase from a federally licensed firearms retailer. The warranty only applies to the first retail purchaser and is not transferable or assignable. Proof of purchase must be presented at the time any warranty claim is made. This is a one year warranty limited to replacement of improperly manufactured parts.

Any alterations, modifications, abuse, misuse or discharge of poor quality, corrosive or defective ammunition voids the warranty. If your weapon needs servicing, apply to one of the service shops authorized by your dealer. Do not send your weapon directly to the manufacturer!

### REGISTER ONLINE TODAY!

To activate your warranty, please register your firearm online at [www.zastavaarmsusa.com](http://www.zastavaarmsusa.com) after purchase.

#### *DO NOT ALTER YOUR FIREARM!*

*This firearm was assembled and tested to function properly in its original condition. Altering your firearm voids the manufacturer's warranty!*

## DISCLAIMER OF LIABILITY

The manufacturer shall not be responsible for injury, death, or damage to property resulting from either intentional or accidental discharge of this firearm, or from its function when used for purposes or subjected to treatment for which it was not designed. The manufacturer also will not honor claims involving this firearm which result from careless or improper handling, unauthorized adjustment or parts replacement, corrosion, neglect, or the use of wrong caliber ammunition, or the use of ammunition other than original high quality commercially manufactured ammunition in good condition, or any combination thereof.

## RETURN AUTHORIZATION

To obtain warranty service, please contact us at [warranty@zastavaarmsusa.com](mailto:warranty@zastavaarmsusa.com). Please note that a return authorization must be obtained prior to returning the firearm.

## ZASTAVA ARMS USA

55 Bradrock Dr. Des Plaines, IL 60018

ph: 847-250-9727

[info@zastavaarmsusa.com](mailto:info@zastavaarmsusa.com)

[www.zastavaarmsusa.com](http://www.zastavaarmsusa.com)

## TRANSPORTATION AND STORAGE

**WARNING: ALWAYS CHECK TO ENSURE THAT YOUR FIREARM IS NOT LOADED BEFORE TRANSPORTING, OR PUTTING IT AWAY FOR STORAGE.**

**PREVENT UNAUTHORIZED ACCESS:** *For increased safety, firearms should be stored unloaded and locked in a SECURE, hidden location, separate from the ammunition for the same rifle. Out of reach of children and unauthorized persons!*

**WHEN STORED IN AN IRRESPONSIBLE AND UNSAFE MANNER, FIREARMS CAN BE DANGEROUS, POSING A HUGE RISK OF POTENTIAL SERIOUS OR FATAL INJURIES TO CHILDREN AND OTHER UNQUALIFIED PERSONS.**

*NEVER ASSUME THAT STORING A FIREARM AT A “SECRET HIDING” PLACE IS A SECURE STORAGE METHOD. Others may get sooner or later get aware of your storage location by chance.*

The most suitable place for keeping firearms is a safely locked cabinet. *Use the locking device with this firearm for storage.* The use of a locking device or safety lock is only one aspect of responsible firearms storage.

**WARNING: NEVER LOAD A LOCKED FIREARM!  
NEVER LOCK A LOADED FIREARM!**

When transporting your rifle, **ALWAYS** keep it unloaded for your own, and safety of others.

By purchasing this firearm, you have accepted the responsibility of safely securing the firearm at all times and preventing its unauthorized use.

**GET FAMILIAR WITH YOUR STATE’S “SAFE AND SECURE STORAGE OF FIREARMS AND AMMUNITION” GUN LAWS AND REGULATIONS, THE MOST IMPORTANT LAW!**

**DRUGS & ALCOHOL WARNING: DO NOT TRANSPORT OR HANDLE FIREARM WHILE UNDER THE INFLUENCE!**

*Alcohol, certain drugs and illegal substances can impair your judgement, physical coordination, and your actions.*

## GAS FLOW REGULATOR

Gas flow regulator can be placed into one of 3 positions which determines the flow of gases. The position of the regulator is determined by the securing pin that enters into a slot on the regulator (on the left side of the marking). The change of position can be achieved in two ways:

- By disassembling the weapon and placing the regulator into desired position;
- By lifting the spring securing pin and rotating the regulator into desired position (this mode should be used only in exceptional circumstances) (Fig. 6).



*Fig. 6 - Lifting the spring securing pin*

The positions marked on the gas flow regulator serve to adjust the functioning of the weapon to suit the environment in which it is used, conditions when the sliding surfaces are dirty, as well as the ammunition that is used.

Thus, position "1" of the regulator is used after the weapon has fired some rounds (200-300 rounds shot) or when the rifle is used in high temperatures or with ammunition with high pressures and heavier bullets.



*Fig. 7 - Regulator in position 2 - normal conditions*

Position "2" of the regulator is used in the beginning, i.e. when the rifle is new (200 – 300 rounds shot).

If the rifle is used at normal temperatures and when standard ammunition is used. If the process of shooting from a new rifle is done at high temperatures or when the ammunition with high pressures and heavier bullets is used, then the regulator should be in position "1"

Position "3" of the regulator is used when the rifle is used at low temperatures, when the ammunition with low pressures and lighter bullets is used, as well as when the rifle is dirty, not cleaned.

If it happens that stoppages that indicate low levels of recoil energy occur (e.g. cartridge cases not ejected, rounds not fed, the bolt carrier not coming to rear position...) then the gas flow regulator should be moved to a higher position (if it is placed on "1" switch to "2", and if it is on "2" switch it to "3") and use this position until the proper function is stabilized.

If it happens that stoppages that indicate high levels of recoil energy occur (e.g. cartridge cases caught, recoil too big...) the gas flow regulator should be moved to a lower position (if it is placed on "3" switch to "2", and if it is on "2" switch to "1").

## TABLE OF CONTENTS

<b>STATE BY STATE WARNINGS</b> .....	4
<b>SECTION 1</b>	
SAFETY GUIDES & PRECAUTIONS .....	6
<b>SECTION 2</b>	
MODEL OVERVIEW AND SPECIFICATION .....	8
<b>SECTION 3</b>	
3.1 FIREARM SAFETY FEATURES .....	10
<b>SECTION 4</b>	
4.1 FIREARM INSPECTION AND PREPARATION FOR INITIAL USE .....	12
4.2 AMMUNITION .....	13
4.3 LODGED BULLET .....	13
4.4 LOADING THE FIREARM .....	14
4.5 FIRING THE FIREARM .....	15
4.6 UNLOADING THE RIFLE .....	16
4.7 PROCEDURE FOR DEALING WITH JAMS .....	16
4.8 SIGHT ADJUSTMENT .....	17
<b>SECTION 5</b>	
5.1 FIELD STRIPING .....	18
5.2 CLEANING .....	20
5.3 REASSEMBLY .....	22
<b>SECTION 6</b>	
PARTS LIST.....	24
Warranty   Disclaimer of Liability .....	26
Transportation and storage .....	27
Gas Flow Regulator .....	28







*Manufactured by:*  
**ZASTAVA ORUŽJE AD**  
Kosovska 4  
34 000 Kragujevac, Serbia  
ph: +381 34 301 137  
fax: +381 34 335 349  
office@zastava-arms.rs  
www.zastava-arms.rs



*Imported by:*  
**ZASTAVA ARMS USA**  
55 Bradrock Dr.  
Des Plaines IL,  
USA  
ph: +1 847-250-9727  
info@zastavaarmsusa.com  
www.zastavaarmsusa.com

