

SAFETY & INSTRUCTION MANUAL

# DESERT EAGLE® 1911 G, GR, C & U PISTOLS



READ THE INSTRUCTIONS AND WARNINGS  
IN THIS MANUAL CAREFULLY BEFORE  
USING THIS FIREARM.



**Magnum  
Research,  
Inc.®**

**MAGNUM RESEARCH® , INC.**

Factory: 12602 33rd Avenue SW, Pillager, MN 56473

Sales: 508-635-4273 | Fax: 508-795-7046

Support & Service: 218-746-3459 | Fax: 218-746-3097

Website: [www.MagnumResearch.com](http://www.MagnumResearch.com)

## **WARNING**

**READ THESE INSTRUCTIONS AND WARNINGS CAREFULLY. BE SURE YOU UNDERSTAND THESE INSTRUCTIONS AND WARNINGS BEFORE USING THIS FIREARM. FAILURE TO READ THESE INSTRUCTIONS AND TO FOLLOW THESE WARNINGS MAY RESULT IN SERIOUS INJURY OR DEATH TO YOU AND OTHERS.**

This SAFETY & INSTRUCTION MANUAL should always accompany this firearm and be transferred with it upon change of ownership or when presented to another person.

## **NOTE**

This manual refers to the use of the pistol by civilian users. Instructions for law enforcement use may differ from what is described in this manual.

Throughout this instruction manual, position designations such as “left,” “right,” “forward,” “rear,” and so on, are referenced to a pistol held in a normal firing position. In other words, pointed away from the shooter, barrel in a generally horizontal direction, and with the grip of the pistol pointing downwards.

Explanations in this manual are based on right hand operation. Left-handed users should operate vice versa.

## **DISCLAIMER OF LIABILITY**

The first concern when handling any firearm is safety. The failure to do so may result in property damage, serious bodily injury or even death. MAGNUM RESEARCH specifically disclaims any and all liability arising out of the use of this firearm and its accessories. Under no circumstances shall MAGNUM RESEARCH be responsible for incidental or consequential damages with respect to economic loss or injury to person or property due to negligence, improper use, failure to follow instructions in this manual, unsafe handling, failure to maintain the pistol, unauthorized replacement of parts, disregard of statutory rules or laws or any other modification to the pistol.

# Table of Contents

	State by State Warnings . . . . .	4
<b>1</b>	<b>YOUR SAFETY RESPONSIBILITIES</b> . . . . .	5
1.1	Safe Storage and Transportation . . . . .	8
<b>2</b>	<b>PRODUCT SPECIFICATIONS</b> . . . . .	9
2.1	Nomenclatures (Desert Eagle® 1911G and Desert Eagle® 1911U). . . . .	10
<b>3</b>	<b>OPERATION</b> . . . . .	11
<b>4</b>	<b>HAMMER POSITIONS</b> . . . . .	11
4.1	Fully Down or “at rest” position . . . . .	11
4.2	Half Cock Position . . . . .	11
4.3	Fully Cocked Position . . . . .	11
<b>5</b>	<b>SLIDE RELEASE LEVER</b> . . . . .	12
<b>6</b>	<b>GRIP SAFETY &amp; THUMB SAFETY</b> . . . . .	12
6.1	Grip Safety . . . . .	12
6.2	Thumb Safety . . . . .	12
<b>7</b>	<b>LOADING</b> . . . . .	13
<b>8</b>	<b>FIRING</b> . . . . .	13
<b>9</b>	<b>UNLOADING</b> . . . . .	14
<b>10</b>	<b>DISASSEMBLING</b> . . . . .	15
10.1	DE1911G and DE1911GR Models Only . . . . .	15
10.2	DE1911C (Bushing-less model) and DE1911U Models Only . . . . .	16
<b>11</b>	<b>REASSEMBLING</b> . . . . .	17
<b>12</b>	<b>CLEANING</b> . . . . .	17
<b>13</b>	<b>EXPLODED VIEWS</b> . . . . .	18
13.1	Desert Eagle® 1911G and 1911GR – Parts List . . . . .	18
13.2	Desert Eagle® 1911C – Parts List . . . . .	19
13.3	Desert Eagle® 1911U – Parts List . . . . .	20
<b>14</b>	<b>CONTACT &amp; SHIPPING</b> . . . . .	21
	<b>LIMITED ONE-YEAR WARRANTY</b> . . . . .	22
	<b>CAUTION</b> . . . . .	23

## State by State Warnings

### **CALIFORNIA:**

**WARNING:** Children are attracted to and can operate firearms that can cause severe injuries or death. Prevent child access by always keeping guns locked away and unloaded when not in use. If you keep a loaded firearm where a child obtains and improperly uses it, you may be fined or sent to prison.

### **CONNECTICUT:**

**“UNLAWFUL STORAGE OF A LOADED FIREARM MAY RESULT IN IMPRISONMENT OR FINE.”**

### **FLORIDA:**

**“IT IS UNLAWFUL, AND PUNISHABLE BY IMPRISONMENT AND FINE, FOR ANY ADULT TO STORE OR LEAVE A FIREARM IN ANY PLACE WITHIN THE REACH OR EASY ACCESS OF A MINOR UNDER 18 YEARS OF AGE OR TO KNOWINGLY SELL OR OTHERWISE TRANSFER OWNERSHIP OR POSSESSION OF A FIREARM TO A MINOR OR A PERSON OF UNSOUND MIND.”**

### **MAINE:**

**“ENDANGERING THE WELFARE OF A CHILD IS A CRIME. IF YOU LEAVE A FIREARM AND AMMUNITION WITHIN EASY ACCESS OF A CHILD, YOU MAY BE SUBJECT TO FINE, IMPRISONMENT OR BOTH. KEEP FIREARMS AND AMMUNITION SEPARATE. KEEP FIREARMS AND AMMUNITION LOCKED UP. USE TRIGGER LOCKS.”**

### **MARYLAND:**

**“WARNING: CHILDREN CAN OPERATE FIREARMS WHICH MAY CAUSE DEATH OR SERIOUS INJURY. IT IS A CRIME TO STORE OR LEAVE A LOADED FIREARM IN ANY LOCATION WHERE AN INDIVIDUAL KNEW OR SHOULD HAVE KNOWN THAT AN UNSUPERVISED MINOR WOULD GAIN ACCESS TO THE FIREARM. STORE YOUR FIREARM RESPONSIBLY!”**

### **MASSACHUSETTS:**

**“WARNING FROM THE MASSACHUSETTS ATTORNEY GENERAL:** This handgun is not equipped with a device that fully blocks use by unauthorized users. More than 200,000 firearms like this one are stolen from their owners every year in the United States. In addition, there are more than a thousand suicides each year by younger children and teenagers who get access to firearms. Hundreds more die from accidental discharge. It is likely that many more children sustain serious wounds, or inflict such wounds accidentally on others. In order to limit the chance of such misuse, it is imperative that you keep this weapon locked in a secure place and take other steps necessary to limit the possibility of theft or accident. Failure to take reasonable preventive steps may result in innocent lives being lost, and in some circumstances may result in your liability for these deaths.”

**“IT IS UNLAWFUL TO STORE OR KEEP A FIREARM, RIFLE, SHOTGUN OR MACHINE GUN IN ANY PLACE UNLESS THAT WEAPON IS EQUIPPED WITH A TAMPER-RESISTANT SAFETY DEVICE OR IS STORED OR KEPT IN A SECURELY LOCKED CONTAINER.”**

### **NEW JERSEY:**

**“IT IS A CRIMINAL OFFENSE TO LEAVE A LOADED FIREARM WITHIN EASY ACCESS OF A MINOR.”**

## **NEW YORK CITY:**

“THE USE OF A LOCKING DEVICE OR SAFETY LOCK IS ONLY ONE ASPECT OF RESPONSIBLE FIREARM STORAGE. FOR INCREASED SAFETY, FIREARMS SHOULD BE STORED UNLOADED AND LOCKED IN A LOCATION THAT IS BOTH SEPARATE FROM THEIR AMMUNITION AND INACCESSIBLE TO CHILDREN AND OTHER UNAUTHORIZED PERSONS.”

## **NORTH CAROLINA:**

“IT IS UNLAWFUL TO STORE OR LEAVE A FIREARM THAT CAN BE DISCHARGED IN A MANNER THAT A REASONABLE PERSON SHOULD KNOW IS ACCESSIBLE TO A MINOR.”

## **TEXAS:**

“IT IS UNLAWFUL TO STORE, TRANSPORT, OR ABANDON AN UNSECURED FIREARM IN A PLACE WHERE CHILDREN ARE LIKELY TO BE AND CAN OBTAIN ACCESS TO THE FIREARM.”

## **WISCONSIN:**

“IF YOU LEAVE A LOADED FIREARM WITHIN THE REACH OF EASY ACCESS OF A CHILD YOU MAY BE FINED OR IMPRISONED OR BOTH IF THE CHILD IMPROPERLY DISCHARGES, POSSESSES, OR EXHIBITS THE FIREARM.”

**PLEASE CHECK WITH YOUR FIREARMS RETAILER OR STATE POLICE FOR ADDITIONAL REQUIREMENTS UNDER STATE OR LOCAL LAWS OR REGULATIONS. SUCH LAWS AND REGULATIONS CHANGE CONSTANTLY, AND LOCAL AUTHORITIES ARE IN THE BEST POSITION TO ADVISE ON SUCH CHANGES.**

# **1. YOUR SAFETY RESPONSIBILITIES**

## **SAFETY IS YOUR NUMBER ONE RESPONSIBILITY!!!!**

At home, in the field, at the range, or anywhere, the first concern of every firearm owner should be safety. Apply the following safety rules in every situation, with any kind of firearm. If you feel uncertain about any operational aspects of this firearm, please contact Magnum Research Customer Service Department at 218-746-3459, Monday ~ Friday 9:00AM ~ 4:30PM CST before proceeding with its operation.



**WARNING: YOU MUST FOLLOW ALL OF THESE SAFETY RULES TO ENSURE THE SAFE USE OF YOUR FIREARM. THE FAILURE TO FOLLOW THESE BASIC FIREARM SAFETY RULES MAY RESULT IN AN UNINTENDED DISCHARGE WHICH COULD CAUSE SERIOUS PERSONAL INJURY OR DEATH TO YOU OR OTHERS.**

- ALWAYS KEEP YOUR FIREARM POINTED IN A SAFE DIRECTION. Never point a firearm at anyone or anything you do not intend to shoot, whether or not it is loaded. This is particularly important when loading, unloading, or field stripping the gun. ALWAYS control the direction of the firearm.
- ALWAYS TREAT EVERY FIREARM AS IF IT IS LOADED AND WILL FIRE IF THE TRIGGER IS PULLED. Do not take anyone’s word that the firearm is unloaded—always check for yourself. Never pass your firearm to another person until the cylinder or action is open and you visually check that it is unloaded. Keep your firearm unloaded and safely stored when not in use.

- **NEVER PLACE YOUR FINGER INSIDE THE TRIGGER GUARD OR ON THE TRIGGER UNLESS YOU INTEND TO FIRE.**  
Ensure that other objects do not touch the trigger.
- **ALWAYS BE SURE OF YOUR TARGET AND WHAT IS BEYOND IT.**  
Always be sure of where the bullet will strike and shoot only where there is a safe back stop free of obstructions, water or other surfaces which can cause ricochets. Do not fire into the sky.
- **NEVER CROSS OBSTACLES SUCH AS FENCES OR STREAMS WITH A LOADED FIREARM.**
- **SAFE GUN HANDLING IS YOUR PERSONAL RESPONSIBILITY at all times.**  
Firearms are dangerous and can cause serious injury or death if they are misused or used inappropriately. Safety must be the prime consideration of anyone who owns or handles firearms.  
Accidents are the result of violating the rules of safe gun handling and common sense. Firearm safety training is available. Contact your dealer, law enforcement agency, local sportsman's club, etc. for availability.
- **YOU ARE RESPONSIBLE FOR THE FIREARM AT ALL TIMES.**  
In owning a firearm, you must undertake full-time responsibility for your firearm's safety and security. You must protect yourself and all others against injury or death from misuse of the firearm 24 hours a day.
- **FIREARM SECURITY IS YOUR RESPONSIBILITY.**  
You must secure firearms safely from children and/or unauthorized users. Your firearm should always be kept unloaded and locked when not in use. A lock has been provided for this purpose. Never assume that the use of this lock is sufficient to safely secure your firearm. You must always evaluate your personal situation and employ the security system(s) that meet your needs and prevents children and unauthorized users from gaining access to your firearm.
- **APPROPRIATE USE FOR YOUR FIREARM MEANS USING YOUR FIREARM FOR LEGAL PURPOSES.**  
For example - target shooting and lawful resistance of deadly criminal force. It is your responsibility to ensure that you are in compliance with all applicable laws and ordinances regarding the use of your firearm.
- **NEVER RELY ON MECHANICAL FEATURES ALONE.**  
Only your safe gun handling habits will ensure the safe use of your firearm. This is your responsibility.
- **ALWAYS SAFELY STORE AND SECURE YOUR FIREARM.** Safe and secure storage of your firearm is one of your most important responsibilities. It is a full-time responsibility. You must always secure your firearm and ammunition separately so that they are not accessible to children and/or other unauthorized persons.
- **NEVER KEEP AMMUNITION IN THE SAME LOCATION AS THE FIREARM.** Store each in a separate and secure place.



**WARNING: ALWAYS WEAR EYE AND EAR PROTECTORS THAT ARE SPECIFIED FOR FIREARM USE EVERY TIME YOU DISCHARGE YOUR FIREARM. MAKE SURE OTHERS IN THE VICINITY OF WHERE YOU WILL BE SHOOTING DO SO ALSO.**

- NEVER USE ALCOHOL OR DRUGS BEFORE OR WHILE SHOOTING. Do not use your firearm if you are on any medication which impairs, even slightly, your mental or physical ability.
- ALWAYS HAVE ADEQUATE VENTILATION. Discharging firearms in poorly ventilated areas, cleaning firearms, or handling ammunition may result in exposure to lead and other substances known to cause birth defects, reproductive harm, and other serious physical injury. Review the warnings and labels for all ammunition and cleaning products carefully. Wash hands thoroughly after exposure.
- BEFORE HANDLING ANY FIREARM, UNDERSTAND ITS OPERATION. Not all firearms are the same. Familiarize yourself with the mechanical features of any firearm you intend to use. If you feel uncertain about any operational aspects of your firearm, please contact MAGNUM RESEARCH at 218-746-3459 before proceeding with its operation.
- NEVER ALLOW A FIREARM TO BE USED BY INDIVIDUALS WHO DO NOT UNDERSTAND ITS SAFE OPERATION OR HAVE NOT READ THESE FIREARM SAFETY RULES.
- ALWAYS USE THE CORRECT AMMUNITION FOR YOUR PARTICULAR FIREARM as indicated by the marking on the barrel. Never use non-standard, reloaded, or “handloaded” ammunition which has not been subjected to internal ballistic pressure testing.
- BE SURE ALL ACCESSORIES, SUCH AS HOLSTERS AND GRIPS, ARE COMPATIBLE with the firearm and that the accessories do not interfere with safe operation.
- NEVER DISASSEMBLE YOUR FIREARM beyond the field stripping procedure outlined in this manual. Improper disassembly or reassembly of your firearm may be dangerous and can lead to serious injury or death.
- NEVER MANIPULATE, ADJUST OR CHANGE ANY OF THE INTERNAL COMPONENTS OF YOUR FIREARM including the firing pin, sear, or drawbar. Improper manipulation of any internal component may affect the safety and reliability of your firearm and may cause serious injury or death.
- NEVER ALLOW ANY ALTERATION OR REPLACEMENT OF PARTS IN YOUR MAGNUM RESEARCH FIREARM UNLESS PERFORMED BY A QUALIFIED GUNSMITH using genuine MAGNUM RESEARCH parts. If you do otherwise, improper functioning of your firearm may occur and serious injury or death may result.



**WARNING: SAFE USE OF A FIREARM IS YOUR PERSONAL RESPONSIBILITY AND THE FAILURE TO FOLLOW ALL OF THESE BASIC SAFETY RULES MAY RESULT IN SEVERE PERSONAL INJURY OR DEATH TO YOU OR OTHERS. YOU ARE THE MOST IMPORTANT SAFETY DEVICE WHEN IT COMES TO THE USE OF YOUR FIREARM AND MAGNUM RESEARCH WILL NOT BE RESPONSIBLE FOR ANY PERSONAL INJURY, DEATH OR PROPERTY DAMAGE THAT RESULTS FROM:**

- (1) THE CRIMINAL OR NEGLIGENT USE OF THIS FIREARM;**
- (2) A DISREGARD OF THESE SAFETY INSTRUCTIONS AND WARNINGS;**
- (3) IMPROPER OR CARELESS HANDLING OF THIS FIREARM;**
- (4) THE USE OF NON-STANDARD, DEFECTIVE, IMPROPER OR RELOADED AMMUNITION; OR**
- (5) IMPROPER OR NEGLIGENT MODIFICATIONS OR REPAIRS TO THE FIREARM.**

## 1.1 Safe Storage and Transportation



**WARNING: FIREARMS ARE DANGEROUS WHEN USED AND STORED IMPROPERLY THEY POSE A RISK OF SERIOUS OR FATAL INJURIES. FIREARMS CAN BE ESPECIALLY DANGEROUS TO CHILDREN WHEN THEY ARE STORED IN AN IRRESPONSIBLE AND UNSAFE MANNER. FOR YOUR SAFETY AND THE SAFETY OF OTHERS, IT IS IMPERATIVE THAT YOU KEEP YOUR FIREARM LOCKED AND UNLOADED IN A SECURE PLACE. THE AMMUNITION SHOULD BE STORED IN A SEPARATE, SECURE LOCATION WHEN IT IS NOT IN USE. SAFE AND SECURE STORAGE OF YOUR FIREARM IS ONE OF THE MOST IMPORTANT RULES OF FIREARM SAFETY. YOUR FAILURE TO FOLLOW THESE RULES MAY RESULT IN SERIOUS INJURY OR DEATH TO YOU OR OTHERS.**

- ALWAYS SECURE YOUR FIREARM IN A MANNER THAT WILL PREVENT UNAUTHORIZED ACCESS.

- Whenever your firearm is not in use, keep it unloaded and locked. Your safety and the safety of others requires that you always secure and store your firearm in a manner that will prevent unauthorized access. Never leave a firearm unattended unless it is locked, unloaded, and secured.

- ALWAYS USE THE LOCK PROVIDED BY MAGNUM RESEARCH TO SECURE YOUR FIREARM. Please read and follow the instructions packaged separately for the use of this lock. A lock, when properly used, can be an effective tool in preventing unauthorized access to your firearm. There are other alternative locks and safe storage containers available in the marketplace which may also be appropriate for your particular needs. Consult your local gun shop, hardware store, or local police department for guidance on the variety of other safe storage devices or practices which may be appropriate for your particular needs. By purchasing this firearm you have accepted the responsibility of safely securing the firearm at all times and preventing its unauthorized use. Never assume that the use of this lock alone is sufficient to safely secure your firearm. It is your personal responsibility to select and use whatever measures or practices that will enable you to be absolutely certain that your firearm is secure at all times.



**WARNING: NEVER LOCK A LOADED FIREARM AND NEVER LOAD A LOCKED FIREARM!!**

- ALWAYS STORE YOUR FIREARM AND AMMUNITION SEPARATELY so that they are not accessible to children or other unauthorized persons. Safe and secure storage of your firearm and ammunition are your responsibility. It is a full-time responsibility.

- NEVER ASSUME THAT A “HIDING” PLACE IS A SECURE STORAGE METHOD. Others may be aware of your storage location or come upon it by chance. It is your personal responsibility to use common sense when storing your firearm and ammunition and to always make sure they are not accessible to children or other unauthorized persons.

- NEVER TRANSPORT A LOADED FIREARM.

When transporting your firearm, be sure it is unloaded and locked. Safe and secure transportation of your firearm is your responsibility.



● ALWAYS FOLLOW THE LAW!

Many jurisdictions have laws that make it a crime to keep a firearm unlocked and in an area accessible to children or others. Keeping a firearm locked and unloaded when not in use is not only common sense safety practice... IT IS THE LAW. You must be familiar with all local, state, and federal laws regarding the safe storage and transportation of your firearm. Failure to know and follow the law may result in unauthorized access or use of your firearm by another. Obey all laws relating to the storage and transportation of firearms. Your local police department or gun shop can furnish you with available information on storing and/or transporting a firearm safely and legally.

● YOUR FIREARM IS YOUR RESPONSIBILITY.

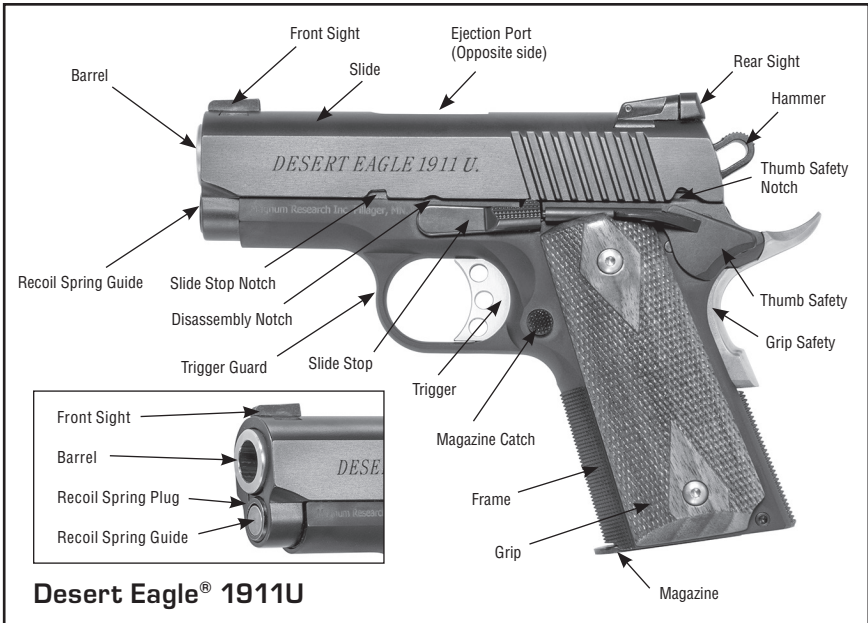
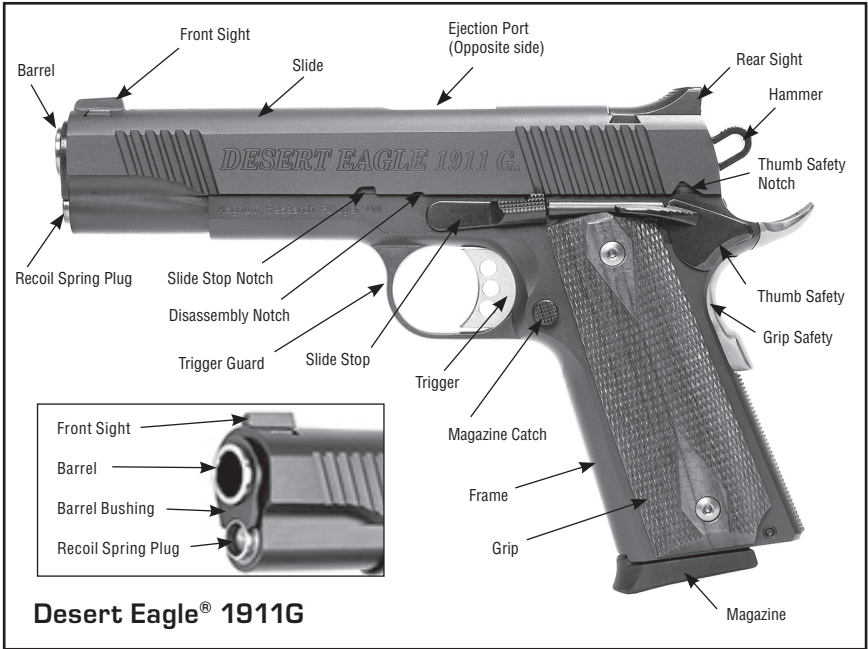
You must prevent your firearm from being stolen or from being used by untrained or unqualified individuals. Keep it locked, unloaded and secured when not in use.

## 2. PRODUCT SPECIFICATIONS

The Desert Eagle® 1911 G, GR, C & U pistols feature beavertail safeties, beveled magazine wells, skeleton trigger & hammers, extended safety levers and tight tolerance frames and slides.

Model:	<b>Desert Eagle® 1911 “G”, “GR” Pistols (Full Size)</b>	<b>Desert Eagle® 1911 “C” Pistol (Semi-Compact)</b>	<b>Desert Eagle® 1911 “U” Pistol (Undercover)</b>
Caliber:	.45 ACP	.45 ACP	.45 ACP
O/A Length:	8.625”	7.87”	6.85”
Barrel Length:	5.055”	4.33”	3”
Height:	5.25”	5.25”	5”
Width:	1.28”	1.28”	1.28”
Finish:	Black Oxide (Blued)	Black Oxide (Blued)	Hard Black Anodized Aluminum frame, Black Oxide (Blued) slide and other parts
Weight Empty: Accessory Rail	G: 2.261 lbs (1025 g), GR: 2.381 lbs (1080 g)	2.12 lbs (960 g)	1.451 lbs (658 g)
Magazine Capacity:	8 Round	8 Round	6 Round
Trigger Mechanism:	Single Action	Single Action	Single Action
Safety:	Grip Safety Extended Thumb Safety	Grip Safety Extended Thumb Safety	Grip Safety Extended Thumb Safety
Sights:	High profile sculptured rear sight, drift adjustable for windage, front sight blade with horizontal serrations	High profile sculptured rear sight, drift adjustable for windage, front sight blade with horizontal serrations	Windage, elevation adjustable rear sight, front sight blade with horizontal serrations

## 2.1 Nomenclatures



### 3. OPERATION

Your Desert Eagle® 1911 is a single action semi-automatic recoil-operated pistol. After the initial manual loading and cocking sequence is followed, and the safety is in the off position and the grip safety has been disengaged, this pistol will fire a shot with each subsequent pull of the trigger until the ammunition supply in the magazine is exhausted. The slide will lock itself in the open position after the last round has been fired. If the slide is not locked open with the empty chamber exposed, always treat the pistol as though it were loaded.



**WARNING: ALWAYS CHECK YOUR PISTOL TO MAKE SURE THAT IT IS NOT LOADED. REMOVE MAGAZINE, DRAW BACK THE SLIDE AND VISUALLY CHECK THE CHAMBER TO ENSURE IT IS EMPTY. ALLOW THE SLIDE TO CLOSE AFTER INSPECTION.**

### 4. HAMMER POSITIONS



**WARNING: READ AND UNDERSTAND ALL INSTRUCTIONS AND WARNINGS IN THIS MANUAL BEFORE USING THIS PISTOL. IT IS IMPORTANT TO LEARN THE PARTS OF YOUR DESERT EAGLE® 1911 AND ITS FUNCTIONS BEFORE USING THIS FIREARM.**

#### 4.1 Fully down or “at rest” position [4.1 Fig. 1]

Hammer resting directly against the slide.



**WARNING: DO NOT CARRY YOUR PISTOL WITH A LIVE ROUND IN THE CHAMBER.**

#### 4.2 Half Cock Position [4.2 Fig. 1]

The hammer is between the fully down and fully cocked position (approximately 1/4” from fully down position).



**WARNING: DO NOT CARRY YOUR DESERT EAGLE® 1911 OR STORE IT WITH THE HAMMER IN THE HALF COCK POSITION.**

#### 4.3 Fully Cocked Position [4.3 Fig. 1]

The hammer is fully rearward to the end of its travel. When there is a live round in the chamber and the safety is in the off position, the pistol is now ready to fire.



**WARNING: DO NOT CARRY YOUR DESERT EAGLE® 1911 OR STORE IT WITH A FULLY COCKED HAMMER.**



4.1 Fig. 1



4.2 Fig. 1



4.3 Fig. 1

## 5. SLIDE RELEASE LEVER



**WARNING: ALWAYS CHECK YOUR PISTOL TO MAKE SURE THAT IT IS NOT LOADED. REMOVE MAGAZINE, DRAW BACK THE SLIDE AND VISUALLY CHECK THE CHAMBER TO ENSURE IT IS EMPTY. ALLOW THE SLIDE TO CLOSE AFTER INSPECTION.**

The slide release lever is used to lock the slide back and then to release the slide from its locked position. When a magazine is in place and the slide is drawn rearward, pushing down on the slide release lever will allow the slide to travel to its forward position. To lock the slide in its rear position, draw the slide rearward until the checkered part of the lever is aligned with the slide stop notch on the slide (5 Fig.1) and raise the slide release lever into the notch. (If an empty magazine is first inserted into the magazine well, when you draw the slide rearward the magazine will push up on the slide release and cause the slide to lock in its rear position.) This will lock the slide into the rearward position for cleaning or presentation and verification the pistol is not loaded.

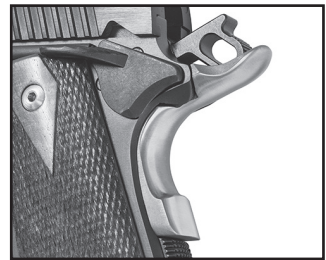


5.1 Fig. 1

## 6. GRIP SAFETY AND THUMB SAFETY

### 6.1 Grip Safety

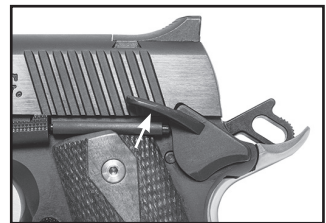
The Desert Eagle® 1911 is equipped with a grip safety on the back strap (6.1 Fig. 1) as well as a manual thumb safety on the side of the frame. The 1911 cannot fire unless the grip safety is disengaged and the manual thumb safety rests in the “off” position. To disengage the grip safety, hold the pistol in a natural shooting position, gripping the gun firmly. The grip safety must be depressed to be disengaged.



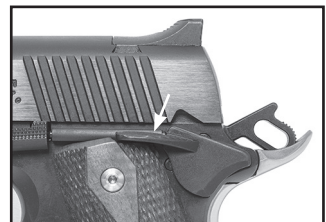
6.1 Fig. 1

### 6.2 Thumb Safety

To place the thumb safety in the safe position, (6.2 Fig. 1) put the hammer in the fully cocked position and push the safety upward into the safety notch on the side. To disengage the manual safety, push it down to its position parallel to the side. (6.2 Fig. 2)



6.2 Fig. 1



6.2 Fig. 2



**WARNING: A FIREARM'S MANUAL SAFETY IS A MECHANICAL DEVICE. IT CAN NEVER REPLACE SAFE GUN HANDLING.**

## 7. LOADING



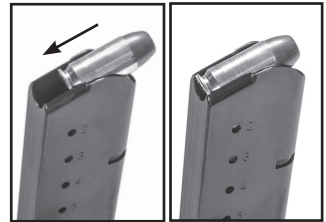
**WARNING: READ AND UNDERSTAND ALL INSTRUCTIONS AND WARNINGS IN THIS MANUAL BEFORE USING THIS PISTOL. IT IS IMPORTANT TO LEARN THE PARTS OF YOUR DESERT EAGLE® 1911 AND ITS FUNCTIONS BEFORE USING THIS FIREARM.**

- Remove the magazine from the frame by depressing the magazine release (7 Fig. 1) on the left side of the frame. Draw back the slide and visually check the chamber to ensure it is empty. Allow the slide to close after inspection.



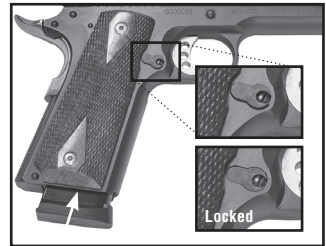
7 Fig. 1

- Load the magazine by placing the rim of a cartridge on the wide end of the magazine. Slowly depress the follower while sliding the cartridge rearward. Repeat the process until the magazine is fully loaded. (7 Fig. 2)



7 Fig. 2

- When preparing to fire, slide the loaded magazine into the magazine well on the bottom of the frame, making sure the magazine engages into the locked position. (7 Fig. 3)



7 Fig. 3

- Be sure the muzzle is pointed down range in a safe direction. While keeping your finger out of the trigger guard, pull the slide fully rearward and release. Engage the thumb safety.

- You now have a live round in the chamber and your gun is now ready to fire when both safeties are disengaged.

## 8. FIRING



**WARNING: READ AND UNDERSTAND ALL INSTRUCTIONS AND WARNINGS IN THIS MANUAL BEFORE USING THIS PISTOL. IT IS IMPORTANT TO LEARN THE PARTS OF YOUR DESERT EAGLE® 1911 AND ITS FUNCTIONS BEFORE USING THIS FIREARM.**



**WARNING: REMEMBER, IF YOU HAVE ALREADY DRAWN BACK THE SLIDE OVER A LOADED MAGAZINE, THERE IS NOW A LIVE CARTRIDGE IN THE CHAMBER. MAKE SURE YOUR SAFETY IS IN THE "SAFE" POSITION UNTIL YOU ARE READY TO FIRE. BE SURE OF YOUR TARGET AND WHAT IS BEYOND BEFORE FIRING.**

- To fire the pistol, hold your Desert Eagle® 1911 in a natural shooting position with the grip safety resting in the webbing of your hand between your thumb and index finger. This will disengage the grip safety. Return the thumb safety to the

“off” position by lowering the safety to a parallel position with the slide. The safeties are now off and the pistol will fire when the trigger is pulled.

- After the round is discharged, the slide will travel rearward, allowing the spent case to be ejected and replaced with a live round when the slide returns to its forward position.
- This process can be repeated until the magazine has been emptied at which time the slide will lock open in the rear position.



**WARNING: BE SURE TO HOLD THE PISTOL BY THE GRIP AND KEEP BOTH HANDS WELL CLEAR OF THE SLIDE OPERATION AND AWAY FROM THE MUZZLE. BE SURE TO WEAR EYE AND HEARING PROTECTION WHEN FIRING.**



**WARNING: SHOULD A CARTRIDGE FAIL TO FIRE WHEN THE TRIGGER IS PULLED, KEEP THE PISTOL POINTED IN A SAFE DIRECTION, REMOVE YOUR FINGER FROM THE TRIGGER AND WAIT 30 SECONDS. YOU MAY THEN UNLOAD THE PISTOL AND DISPOSE OF THE CARTRIDGE PROPERLY. IF YOU HEAR AN UNUSUAL SOUND ON FIRING, STOP FIRING, UNLOAD AND CHECK THE BARREL FOR OBSTRUCTIONS.**

## 9. UNLOADING



**WARNING: READ AND UNDERSTAND ALL INSTRUCTIONS AND WARNINGS IN THIS MANUAL BEFORE USING THIS PISTOL. ALWAYS KEEP THE PISTOL POINTED IN A SAFE DIRECTION.**

If the Desert Eagle® 1911 is in the “ready to fire” position, but conditions change and you no longer want to fire, follow these procedures, keeping your finger away from the trigger.

- Place the thumb safety into the “safe” position.
- Remove the magazine by completely depressing the magazine release on the left side of the frame. (9 Fig. 1)
- Move the thumb safety fully into the “off” position.
- Draw the slide fully rearward and tilt the pistol to the right so the chambered round either ejects or falls out of the chamber.
- Visually inspect the chamber to make sure it is empty before allowing the slide to close. The pistol is now unloaded.



9 Fig. 1



**CAUTION: DO NOT EJECT UNFIRED CARTRIDGES ONTO ANY SURFACES WHERE THE CARTRIDGE PRIMER MIGHT STRIKE A SOLID OBJECT AND DISCHARGE THE CARTRIDGE.**



## 10. DISASSEMBLING

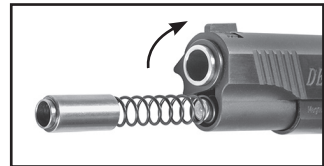
### 10.1 DE1911G and DE1911GR Models Only



**WARNING: READ AND UNDERSTAND ALL INSTRUCTIONS AND WARNINGS IN THIS MANUAL BEFORE USING YOUR DESERT EAGLE® 1911. ALWAYS MAKE SURE THE PISTOL IS COMPLETELY UNLOADED BEFORE DISASSEMBLY. WEAR SAFETY GLASSES. AT REGULAR INTERVALS OR WHEN THE PISTOL HAS BEEN EXPOSED TO SAND, WATER OR OTHER ADVERSE CONDITIONS, DISASSEMBLE, CLEAN AND OIL IT.**

- Always make sure the magazine is removed and the pistol is NOT LOADED. The pistol should be cleaned after every use and when exposed to dirt, sand, etc.
- With the muzzle pointing upward, rest the pistol on heel of butt and the grip safety on a table or bench.
- Push the slide back about 1/4 inch, press down on recoil spring plug (located just below the muzzle) and at the same time rotate the barrel bushing clockwise about 1/4 turn, using a barrel bushing wrench if necessary; this will free the plug and recoil spring. Keep pressure on the plug to prevent it from being ejected by the spring. Then allow the plug and spring to gradually extend out of the slide. (10.1 Fig. 1)

- Remove the plug from the spring.
- Carefully allow the slide to return to the closed position.



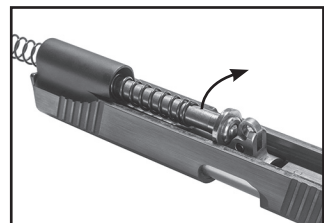
10.1 Fig. 1

- Pull slide to rear until lug on slide stop is opposite disassembly notch (10.1 Fig. 2) and push inward on the end of the slide stop shaft on the right side of the pistol and remove the slide stop from the left side.



10.1 Fig. 2

- Push slide forward off the frame.
- Turn the slide upside down and lift the recoil spring and guide and pull them rearward out of the slide. (10.1 Fig. 3)



10.1 Fig. 3

- Turn barrel bushing counterclockwise. Push barrel and barrel bushing forward until bushing is clear of the slide, then remove bushing from the barrel.
- Push barrel link forward and remove barrel from the slide.

NOTE: Do not drop the hammer while the slide is removed from the frame.

DO NOT STRIP YOUR PISTOL ANY FURTHER THAN PREVIOUSLY DESCRIBED. DO NOT REMOVE OR ALTER PARTS, PARTICULARLY SAFETY PARTS. IF ADDITIONAL MAINTENANCE IS REQUIRED SEE "CONTACT & SHIPPING." (Page 21)

## 10.2 DE1911C (Bushing-less model) and DE1911U Models Only



**WARNING: READ AND UNDERSTAND ALL INSTRUCTIONS AND WARNINGS IN THIS MANUAL BEFORE USING YOUR DESERT EAGLE® 1911. ALWAYS MAKE SURE THE PISTOL IS COMPLETELY UNLOADED BEFORE DISASSEMBLY. WEAR SAFETY GLASSES. AT REGULAR INTERVALS OR WHEN THE PISTOL HAS BEEN EXPOSED TO SAND, WATER OR OTHER ADVERSE CONDITIONS, DISASSEMBLE, CLEAN AND OIL IT.**

- Always make sure the magazine is removed and the pistol is NOT LOADED. The pistol should be cleaned after every use and when exposed to dirt, sand, etc.

- With the muzzle pointing upward, rest the pistol on heel of butt and the grip safety on a table or bench.

- Push the slide rearward to the locked position. Locate the small hole in the shaft of recoil spring guide (Part# 32) and insert take down tool into this hole. (You can use a large bent paper clip if the tool is not available - see 10.2 Fig 1. Tool leg should not protrude thru the shaft.)

- Now the recoil spring guide plunger is captured.

- Carefully allow the slide to return to the closed position.

- Pull slide to rear until lug on slide stop is opposite disassembly notch (10.2 Fig. 2) and push inward on the end of the slide stop shaft on the right side of the pistol and remove the slide stop from the left side. (10.2 Fig. 3)

- Push slide forward off the frame.

- Turn the slide upside down and lift the recoil spring and guide and pull them rearward out of the slide. (10.2 Fig. 4)



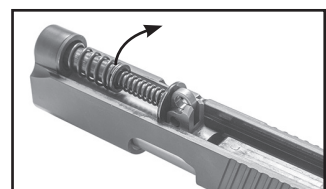
10.2 Fig. 1



10.2 Fig. 2



10.2 Fig. 3



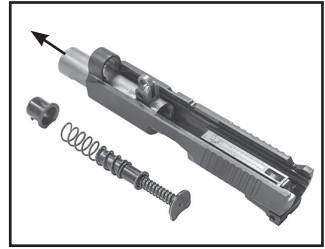
10.2 Fig. 4



- Push barrel link forward and remove barrel from the slide. (10.2 Fig. 5)

NOTE: Do not drop the hammer while the slide is removed from the frame.

DO NOT STRIP YOUR PISTOL ANY FURTHER THAN PREVIOUSLY DESCRIBED. DO NOT REMOVE OR ALTER PARTS, PARTICULARLY SAFETY PARTS. IF ADDITIONAL MAINTENANCE IS REQUIRED SEE “CONTACT & SHIPPING.” (Page 21)



10.2 Fig. 5

## 11. REASSEMBLING



**WARNING: MAKE SURE YOUR PISTOL AND MAGAZINE ARE UNLOADED.**

Simply reverse the disassembly instructions for your specific model.

## 12. CLEANING

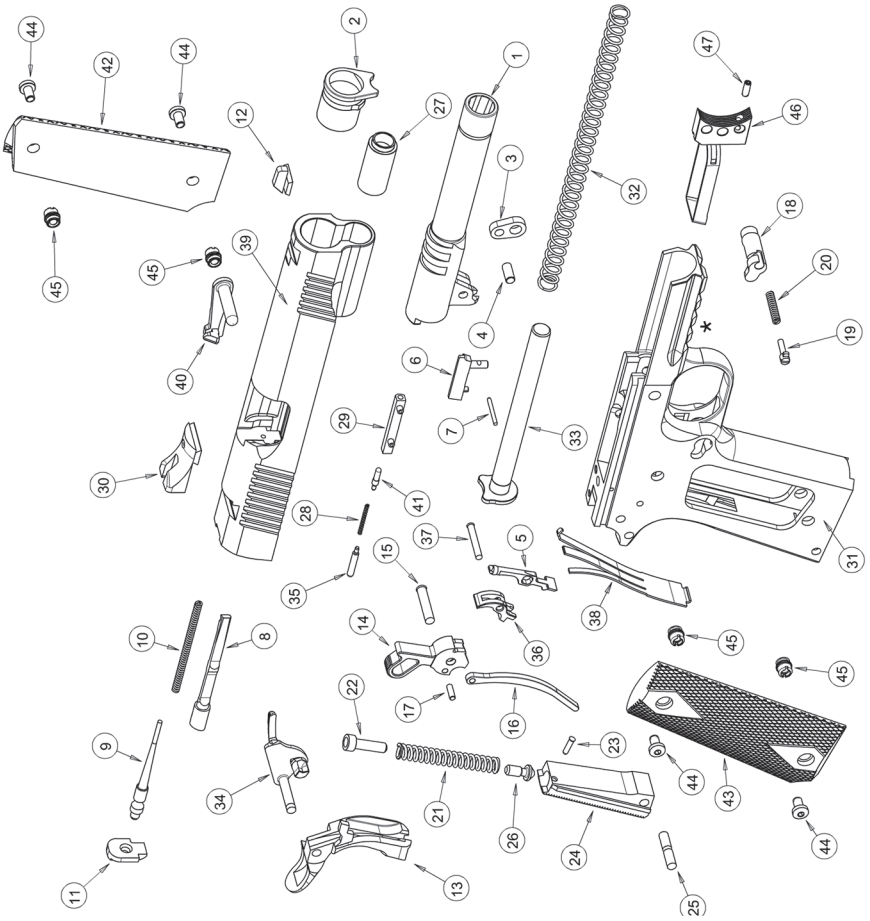
- Field strip the pistol as discussed in the instructions. Use a cleaning rod, a bronze bristle brush and patches appropriate to your pistol’s caliber to clean it. Use a good quality cleaning solvent to swab the bore, slide and frame rails. Lightly oil the entire pistol including the barrel, slide rail cuts, frame rails, trigger and hammer assemblies.
- All external surfaces should be wiped down with a light coat of rust prevention oil. Avoid using too much oil as dust and debris can get trapped in the oil creating a gum that in time will cause misfires.
- Avoid prolonged contact of the blue steel parts with the cleaning solvent. Be sure to wipe away all excess solvent. Under certain conditions cleaning solvent can dissolve bluing.



**WARNING: FIRING A PISTOL WITH OIL, GREASE, OR ANY OTHER MATERIAL, EVEN PARTIALLY OBSTRUCTING THE BORE MAY RESULT IN DAMAGE TO THE PISTOL AND SERIOUS INJURY TO THE SHOOTER AND THOSE NEARBY. DO NOT SPRAY OR APPLY LUBRICANTS DIRECTLY ON AMMUNITION. YOU ARE RESPONSIBLE FOR THE PROPER CARE AND MAINTENANCE OF YOUR FIREARM.**

# 13. EXPLODED VIEWS

## 13.1 Desert Eagle® 1911G and 1911GR - Parts List

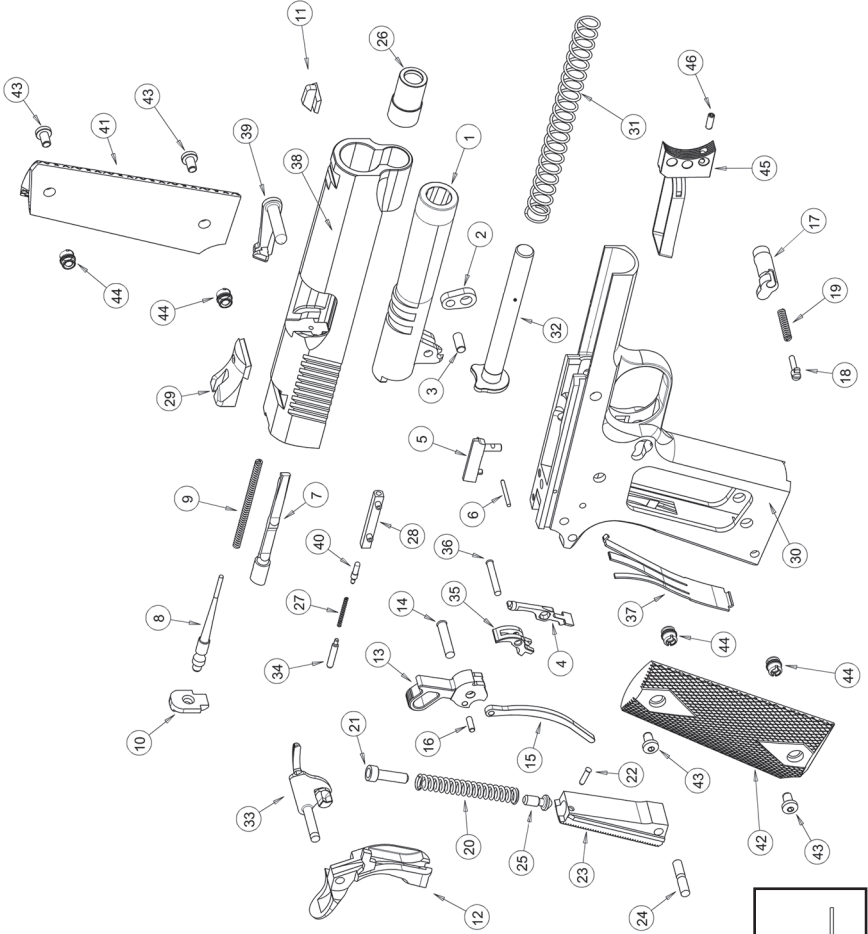


### Parts List

- 1. Barrel
- 2. Barrel Bushing
- 3. Barrel Link
- 4. Barrel Link Pin
- 5. Disconnecter
- 6. Ejector
- 7. Ejector Pin
- 8. Extractor
- 9. Firing Pin
- 11. Firing Pin Spring
- 10. Firing Pin Stop
- 12. Front Sight
- 13. Grip Safety
- 14. Hammer
- 15. Hammer Pin
- 16. Hammer Pin Strut
- 17. Hammer Strut Pin
- 18. Magazine Catch
- 19. Magazine Catch Lock
- 20. Magazine Catch Spring
- 21. Main Spring
- 22. Main Spring Cap
- 23. Main Spring Cap Pin
- 24. Main Spring Housing
- 25. Main Spring Housing Pin
- 26. Main Spring Housing Pin Retainer
- 27. Recoil Spring Plug
- 28. Plunger Spring
- 29. Plunger Tube
- 30. Rear Sight
- 31. Frame
- 32. Recoil Spring
- 33. Recoil Spring Guide
- 34. Thumb Safety
- 35. Thumb Safety Plunger
- 36. Sear
- 37. Sear Pin
- 38. Sear Spring
- 39. Slide
- 40. Slide Stop
- 41. Slide Stop Plunger
- 42. Grip - Left Side
- 43. Grip - Right Side
- 44. Grip Screw (4)
- 45. Grip Screw Bushing (4)
- 46. Trigger
- 47. Trigger Screw

\* Frame Shown with accessory rail (1911GR only)

# 13.2 Desert Eagle® 1911C - Parts List



## Parts List

- 1. Barrel
- 2. Barrel Link
- 3. Barrel Link Pin
- 4. Disconnector
- 5. Ejector
- 6. Ejector Pin
- 7. Extractor
- 8. Firing Pin
- 9. Firing Pin Spring
- 10. Firing Pin Stop
- 11. Front Sight
- 12. Grip Safety
- 13. Hammer
- 14. Hammer Pin
- 15. Hammer Pin Strut
- 16. Hammer Strut Pin
- 17. Magazine Catch
- 18. Magazine Catch Lock
- 19. Magazine Catch Spring
- 20. Main Spring
- 21. Main Spring Cap
- 22. Main Spring Cap Pin
- 23. Main Spring Housing
- 24. Main Spring Housing Pin
- 25. Main Spring Housing Pin Retainer
- 26. Recoil Spring Plug
- 27. Plunger Spring
- 28. Plunger Tube
- 29. Rear Sight
- 30. Frame
- 31. Recoil Spring
- 32. Recoil Spring Guide
- 33. Thumb Safety
- 34. Thumb Safety Plunger
- 35. Sear
- 36. Sear Pin
- 37. Sear Spring
- 38. Slide
- 39. Slide Stop
- 40. Slide Stop Plunger
- 41. Grip - Left Side
- 42. Grip - Right Side
- 43. Grip Screw (4)
- 44. Grip Screw Bushing (4)
- 45. Trigger
- 46. Trigger Screw
- 47. Take Down Tool



## 14. CONTACT & SHIPPING

For Owners within the United States:

Magnum Research®, Inc.:

Customer Service Department Phone: 218-746-3459 / Fax: 218-746-3097

12602 33rd Avenue SW, Pillager, MN 56473

E-mail: info@magnumresearch.com

- Call or e-mail the Customer Service Dept. for a Return Authorization Number (RMA#) and shipping instructions.
- Ensure that the pistol is unloaded.
- DO NOT SHIP ANY AMMUNITION.
- Enclose a letter which includes your RMA#, full name and address (no P.O. Boxes, please), daytime telephone number, e-mail address, the serial number of the pistol, and details of the problem experienced (stating the brand and type of ammunition used when the problem occurred) or work desired.
- Record the serial number before shipping, in case you wish to check on the repair status of your pistol.
- Please remove all custom parts and accessories, such as stocks, special sights, or holsters from your pistol before returning.
- Place the pistol in its original case or in a similarly secure container and pack securely.
- When returning a pistol, please include all magazines ensuring they are unloaded; they are important to the proper function of the pistol. You need to ensure that any loose magazines or other items are wrapped and packed well so that they do not rub against or contact the firearm or each other and cause damage during shipment. Magnum Research Inc is not responsible for damage caused by customers improper packing or shipping.
- The package must NOT bear any markings which indicate the identity of the contents.
- It is most important that you comply with federal, state, and local laws and regulations. The following guidelines are meant to help, but you must seek assistance from the appropriate authorities if necessary.
- Do not attempt to ship a firearm via US Postal Service; only federally licensed dealers may ship a firearm by US Postal Service.
- If your pistol must be replaced, it may be necessary to ship the replacement to a dealer rather than directly to you. You will be requested to furnish a signed FFL (Federal Firearms License) from your dealer in such an instance.
- Warranty repair work will begin upon receipt and examination of the pistol. In the case of repairs or work not covered by the warranty, a quotation covering the cost of the work plus return shipping charges will be sent to you. Repairs or modification will begin upon receipt of payment.



**WARNING: YOU MAY PURCHASE ACCESSORIES FOR YOUR MAGNUM RESEARCH PISTOL. YOU MUST HAVE SOME OF THESE PARTS INSTALLED BY A GUNSMITH QUALIFIED TO PERFORM SERVICE ON MAGNUM RESEARCH PISTOLS. YOU MUST NEVER ATTEMPT TO MODIFY YOUR FIREARM OR INSTALL REPLACEMENT PARTS IN YOUR PISTOL. ALWAYS USE MAGNUM RESEARCH GUNSMITHS EVEN IF THE REPAIR SEEMS TO BE SIMPLE.**

## LIMITED ONE-YEAR WARRANTY

Magnum Research® , Inc. firearms are warranted to be free from defects in material and workmanship. Any such defect of which Magnum Research® , Inc. is given written notice as provided below within one year and ten days from the date of first purchase by customer will be remedied by Magnum Research® , Inc. without notice.

Warranty claims (in writing) and the firearm concerned should be directed (freight prepaid), to the Warranty Service Department, Magnum Research® , Inc., 12602 33rd Avenue SW, Pillager, MN 56473.

Warranty claim letters should state the model and serial number of the gun concerned, the Return Authorization Number (RMA#), a description of the difficulty experienced, the date of purchase, your name, billing address, a daytime phone number, and email address. Remember to ship to Magnum Research® , Inc. freight prepaid. It is recommended to please use a delivery service able to track and/or insure your return item since Magnum Research® , Inc. will accept no responsibility for loss or damage in transit.

Transportation and insurance charges for return to the owner will be paid by Magnum Research® , Inc. if the related claim is a proper claim for warranty work.

Under no circumstances shall Magnum Research® , Inc. be responsible for incidental or consequential damages with respect to economic loss or injury to property, whether as a result of breach of express or implied warranty, negligence or otherwise. Some states do not allow the exclusion or limitation of incidental or consequential damages, so the above limitation may not apply to you. Magnum Research® , Inc. will not be responsible for result of careless handling, unauthorized adjustments, defective, low quality, reloaded or improper ammunition, corrosion, neglect, ordinary wear and tear, or unreasonable use. Furthermore, the liability of Magnum Research® , Inc. under this warranty shall be limited solely to the obligation to replace or repair the firearm and to pay the related transportation charge to the facility of Magnum Research® , Inc.

This warranty gives you specific legal rights, and you may also have other rights which vary from state to state.

### WHAT IS NOT COVERED BY THIS WARRANTY?

- Failure to provide proper care and maintenance
- Hand loaded, reloaded or improper ammunition
- Unauthorized adjustments, repairs or modifications
- Accidents, abuse or misuse
- Barrel obstruction
- Normal wear and tear

## **CAUTION**

Use of proper safety precautions, including adequate eye and ear protections is recommended for the user of this product and for others in the vicinity of the user.

Discharging firearms in poorly ventilated areas, cleaning firearms, or handling ammunition may result in exposure to lead and other substances known to cause birth defects, reproductive harm, and other serious physical injury. Have adequate ventilation at all times. Wash hands thoroughly after exposure.

Magnum Research<sup>®</sup>, Inc.  
12602 33rd Avenue SW, Pillager, MN 56473  
Phone: 218-746-3459  
Website: [www.magnumresearch.com](http://www.magnumresearch.com)

## **IMPORTANT**

If the pistol is returned for servicing, please do not send custom stocks, holsters, gun cases, scopes, etc. as we cannot accept responsibility for possible damage or loss caused in transit.

Correspondence must include serial number, contact name, RMA#, email address, daytime phone number and complete return shipping address along with as much detail as to why you are sending your product in. Please include brand of ammunition, bullet weight and style and lot number of the ammunition you were using. Non-Warranty work will be billed and payment received prior to return of the firearm. For estimates call our service dept at 218-746-3459.



**MAGNUM RESEARCH®, INC.**

Factory: 12602 33rd Avenue SW, Pillager, MN 56473

Sales: 508-635-4273 | Fax: 508-795-7046

Support & Service: 218-746-3459 | Fax: 218-746-3097

Website: [www.MagnumResearch.com](http://www.MagnumResearch.com)