



CSV-9

OPERATING INSTRUCTIONS

CZECH | WEAPONS





CSV-9

OPERATING INSTRUCTIONS



CZECH | WEAPONS



Hello,

THANK YOU for purchasing of a self-loading pistol from the CSV-9 family of weapons.

Before handling the weapon, read these operating instructions including the safety instructions. Incorrect manipulation and misuse of weapon as well as arbitrary modifications, corrosion and use of damaged or unprescribed cartridges can cause accidental shot, subsequent damage to property, injury or death.

Before the weapon was put on sale, it was properly tested by shooting, including the high pressure proof shot, it was checked and packaged. Anyway the manufacturer can not control the weapon handling after weapon leaving his warehouse. Therefore, when receiving your weapon check it carefully to be sure that it is undamaged and unload.

These operating instructions should always be attached to the weapon even if you sell or borrow the weapon.

SAFETY INSTRUCTIONS

Your capability of safe weapon handling should be proven by your gun licence. In order of your own safety and of your surroundings always pay attention and follow safety instructions for weapon handling.

- Always handle a weapon as if it is loaded
- Do not trust anyone saying that the weapon is not loaded
- Never aim at anything you do not intend to shoot
- Use appropriate ear and eye protectors (protective shooting goggles) during shooting
- Never use the weapon for any purpose other than shooting
- Do not leave a loaded weapon unattended
- Before putting weapon down or handing weapon over to another person, make sure that it is not loaded
- Store the weapon unloaded and with decocked firing mechanism
- Use only undamaged, dry, clean and original ammunition in good condition, high quality ammunition – caliber 9mm Luger according to C.I.P. standard
- Before loading, make sure that the bore of barrel, the chamber and the bolt are clean, without obstacles and that the weapon is undamaged
- After shooting clean the weapon as soon as possible
- When the weapon is loaded and cocked, keep the safety catch on until you are ready to fire
- Do not block the ejection port and make sure that nobody is a hindrance in the direction of the ejected cartridge
- During shooting – hold the weapon with the prescribed grip on the handguard, do not put your hand in front of the barrel; do not hold the weapon by the magazine or rest the weapon against the magazine
- Do not pull the trigger or do not put your fingers into the trigger guard unless you aim at the target and are ready to fire
- Never shoot at hard surface such as stone or water level
- Do not shoot near an animal if it is not trained for this noise
- Before you press the trigger, once again check your target and the space behind it
- Before cleaning, storing, carrying any or other weapon handling not directly associated with the shooting, make sure the weapon is not loaded
- If a shot fails, hold the weapon aimed at the target or at the safe place for at least 30 seconds to 1 minute. If there is no firing, remove the cartridge from the chamber and examine it. If there is a indent mark from the striker, then the cartridge has to be disposed of by a specialist and weapon has to be checked by specialist before the next shooting
- Never modify the weapon components. This may cause serious damage to its function and safety
- Corrosion, the use of defective cartridges, the fall on hard surface and other rough handling, can cause a damage that is not visible at a first glance. If this happens the weapon has to be checked by an expert gunsmith.
- Keep the weapon and ammunition separately in a locked area, away from unauthorized persons and children

CSV-9

version 1 for USA

Type: **CSV-9**
Categorization: **SEMI-AUTOMATIC PISTOL**
Producer: **CZECH WEAPONS**
Caliber: **9x19 (9mm Luger)**



Barrel length
120mm

Weapon overall length
350mm

Weapon height
175mm with mechanical sights

Weapon width
49mm (body 34mm)

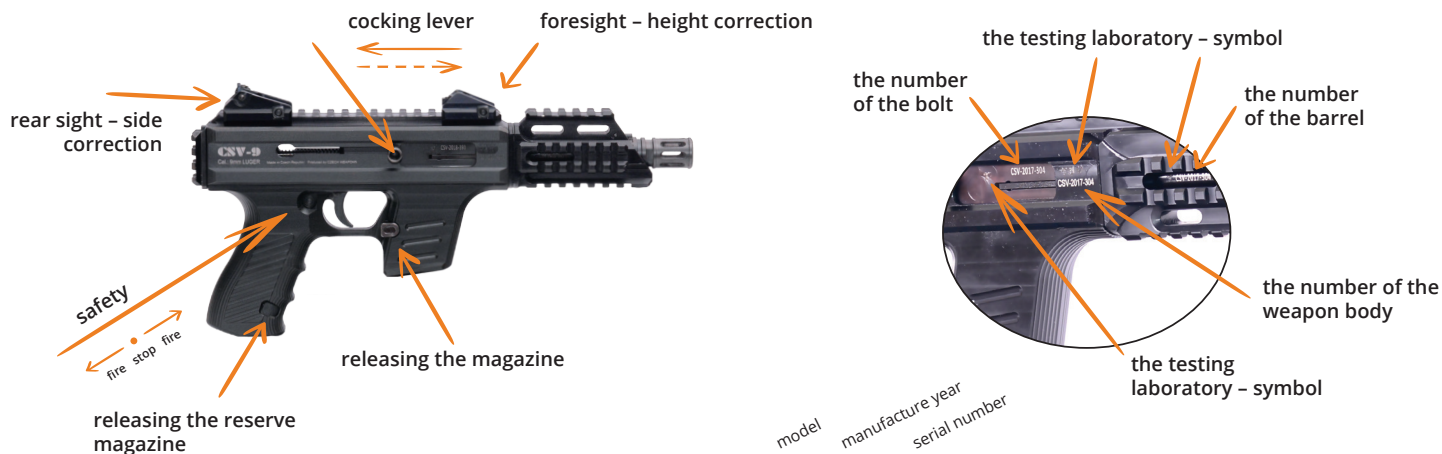
Weapon weight
1,9kg – steel alluminium body

Basic description

The weapon is intended for sport and target shooting as well as a weapon for personal and property protection. It is fitted by a four picatinny rail according to MIL STD 1913 – by 90° around the barrel axis.

The main rail for sights is a part of the weapon's top cover, carrying basic mechanical sights or a collimator sight. The side rails are intended for attachment of tactical accessories (e.g. suitable for attachment of a tactical light). The lower rail is intended for attachment of a tactical pistol grip to improve the holding of the weapon. In the grip of the weapon is created shaft for a reserve magazine. By default, the weapon uses Glock Gen4 magazines – 10, 15, 17 and 33 shots.

BASIC CONTROLS OF THE WEAPON



the number of the weapon is in **CSV - XXXX - XXX** format mentioned on each major part of the weapon (weapon body, barrel, bolt)

DISASSEMBLY – REASSEMBLY

Disassembly and subsequent reassembly is performed for the purpose of cleaning or checking the weapon and its components.

DISASSEMBLY

First, we make sure (in a safe way respecting the safeting the safety rules) if the weapon is unloaded, the firing mechanism is released and the magazine is removed.

We place the weapon by muzzle (by flash suppressor) on a strong pad. We hold the carrier with rail with the right hand and with the left hand we hold the weapon's body and we push the button located in the area on the rear part of the weapon between the cover and the carrier with rail – that all by forefinger of the left hand. (fig. 1)

It is the end of a part called a recoil spring guide rod that protrudes back to the the assembly of the carrier with rail as a security stud and holds the carrier with rail in the correct position.



fig. 1



fig. 2

We press this button by the thumb of the left hand against the return spring of the bolt. As soon as it is released from the hollow in the carrier with rail, we turn the carrier with rail by 90° by the right hand. After this operation, when we turned the carrier with rail by 90°, we pull out the carrier with rail from the weapon. (fig. 2)

We place the weapon on a strong rest by the magazine shaft and by the grip.

With the left hand, we hold the handguard of the weapon and with the right hand, we pull out the weapon top cover from the rails of guidance in the weapon body. (fig. 3)

We carefully remove the recoil spring guide from its stop area and we also remove recoil spring from the weapon and from the bolt. (fig. 4)



fig. 3

We push the rear part of the guide of the striker spring by a thin handy tool (pencil, ballpoint pen, extension rod of the bore brush or the guidance of the return spring of the bolt), we move it forward



fig. 4

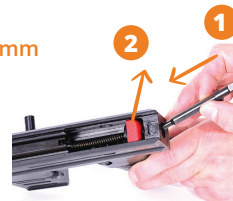


fig. 5



fig. 6

and we take the mainspring including its guidance and its rubber stop out from the weapon by the fingers of the left hand in a suitable way. (fig. 5)

We remove the bolt to the rear position by using the cocking lever and then the cocking lever will be released. We remove the cocking lever to the side of the weapon – away from the weapon. (fig. 6) Then we basically grasp the front part of the bolt and we take it out from the weapon (the bolt must always be in the front position). There is the striker in the bolt, which can be freely removed from the bolt. (fig. 7)



fig. 7

Again, we place the partially disassembled weapon (the weapon body with the barrel and the grip carrying the trigger mechanism) on a strong rest by its muzzle/flash suppressor.

With the left hand, we grasp the rear part of the weapon body and we push it against the pad. With the right hand and with the force pressed in the opposite direction from the pad, we grab the grip and we move the whole set of the grip with the trigger mechanism about 10 mm to the position, where the grooves and the protrusions on the weapon body are lined up. (The grooves and the protrusions are not visible – it is learnt movement.) Then the grip can be removed from the weapon. (fig. 8)

If we are still interested in removing the barrel from the handguard, we push the arresting pin of the flash suppressor to the stop and we screw out the flash



fig. 8

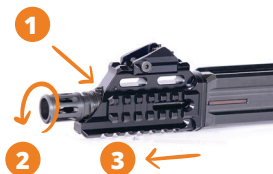


fig. 9

suppressor. (fig. 9) This basically completes the disassembly of the weapon for perfect cleaning.

REASSEMBLY

The reassembly is performed in the reverse way then the disassembly was performed – keeping the procedure which is described below.

First we put the grip panel into the weapon in the opposite way as we removed it from the weapon and we release the safety catch.

Subsequently, we insert the striker into the bolt and align it so that the lower edge of the striker is placed horizontally with the underside of the bolt – the striker is centered. We insert the bolt into the weapon in its rear position and we check by slowly movement about 10-15 mm forwards, if the striker runs into its guidance grooves (the check is from the top view). (fig. 10)

If the striker is in its grooves, we will again move the bolt backwards and insert the cocking lever, we align it with the guidance groove in the bolt and then slowly move the bolt forward. (fig. 11)

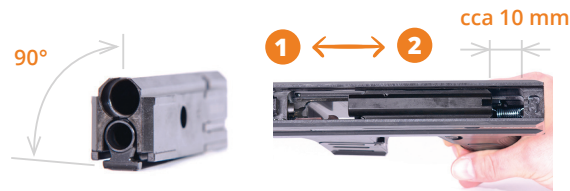
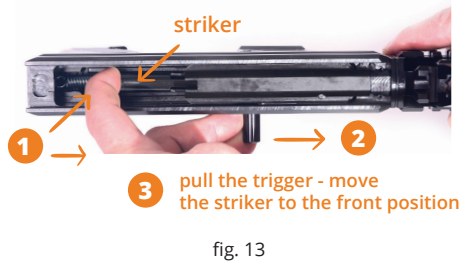


fig. 10

As soon as the striker stops on sear (fig. 12), we immediately push the striker with the forefinger (we hold the weapon with the right hand during pushing the striker). The striker moves about 2 mm forward and we keep the pressure until than we move the bolt forward to the end with the remaining fingers of the left hand. (fig. 13)



This is necessary for the releasing the trigger. The bolt is now in the front position under the constant pressure of the remaining fingers of the left hand and the forefinger is still pressing the striker. We pull the trigger – the striker is moved forward.



We insert the return spring of the striker in the set with its guide including the absorbing rubber pads. We arrest the absorbing rubber pad so that in one part of the rod of the return spring extends with its large diameter over the absorbing pad (the absorbing pad has chamfered edges on this side for better insertion into the weapon body). With this part, the absorbing pad is turned downwards into the weapon body. We insert the return mechanism of the striker into the hole in the weapon body by double movement of pre-pushing of the spring towards the striker and repeated returning the return mechanism of the striker. (fig. 14)

We grab the cocking lever of the bolt and pull it back, move forward (the striker stays on the slide stop catch), pull the trigger and we perform the blind shoot – check the correct insertion of the return mechanism of the striker. (fig. 15)

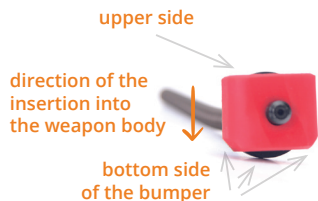


fig. 14



In a similar way, we insert the recoil spring of the bolt and its guide so that we push it towards the bolt and hook the projections of the return spring into the weapon body. (fig. 16)

Then we insert the cover into the weapon by inserting it into its grooves in the weapon body. (fig. 17)

It is necessary that grooves in the weapon body (or the handguard) and the guide of the weapon cover are clean, free of dust, sand etc., and slightly lubricated, with a light oil filter on the grooves of weapon body (handguard) and also on the weapon cover. We put the weapon cover to the stop.



fig. 16

We place the weapon by muzzle on a strong pad and we align the weapon cover and the grip panel with the rear side of the weapon body by pushing the weapon top cover and the grip panel against the pad. We push the guide of the recoil spring of the bolt, we insert the carrier with rail into its guide in the bolt body (turned by 90°) and we rotate it by 90° so that the carrier

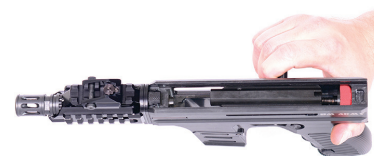


fig. 15



fig. 17

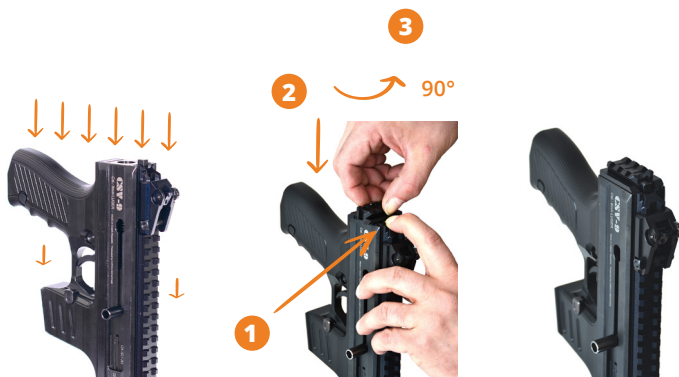


fig. 18

with rail is locked in its position. The projection of the return spring of the bolt clicks into the place, the carrier with rail is locked. (fig. 18)

We grab the weapon as it is when we loading, we pull the bolt backwards several times, we release the cocked striker by the pulling the trigger – check of the correctness of the reassembly of the weapon. All must work without getting stuck, under the pressure of the return springs.

CLEANING AND LUBRICATION

We always clean the barrel immediately after shooting with a suitable brush of the appropriate caliber, with the help of commonly available cleaning oils, such as WD40, Konkor 101, etc. Then we wipe it dry.

If we keep the light oil layer in the barrel because of storage conditions, we always wipe the barrel dry before shooting.

We clean the other dirty surfaces of the bolt and the weapon body with cleaning oils as soon as possible after shooting. Then it is possible to wipe the parts dry or there may remain slight oil layer (it is not necessary to soak the parts of the bolt, weapon body or trigger mechanism in oil bath, because their correct function is ensured with a dry working surroundings or with a slight oil layer).

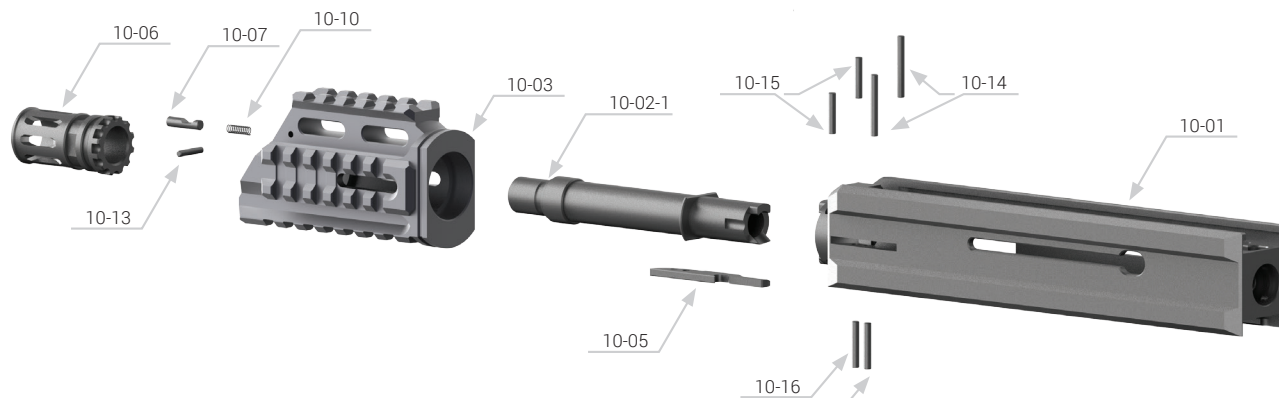
The grip panel – it is not necessary to soak the internal parts of the trigger mechanism in oil bath. It is enough to wipe it dry. If the components get stuck because of dry, it is advisable to apply a slight oil layer.

In case of hard fouling (remaining particles of gunpowder), it is possible to blow the area around the components out with compressed air, always in such a way no dirt is pushed into the trigger disconnecter. The condition is to blow the dirt out, not to push it into the functional spaces of the trigger mechanism. After cleaning with compressed air, it is necessary to move with all possible parts so that any impurities fall out, then re-clean them with compressed air, apply the cleaning oil and remove excess oil by blowing out with compressed air again.

Such a cleaned trigger mechanism is considered to be perfectly oiled. It is necessary to treat the compressed air carefully so that dirt does not come into contact with the functional parts of the components.

After assembling the weapon and also for case of the long-term storing, it is advisable to keep a light oil layer on the components (also from outside), especially on the steel weapon body (its surfacing is bluing). It is advisable to treat the bluing with a slight oil layer for long-term colour sustainability and as protection against later corrosion during storage in not entirely ideal conditions. The cleaning oils as WD40, Konkor 101, etc. are sufficient.

SET OF THE WEAPON BODY – BREAKDOWN OF THE COMPONENTS



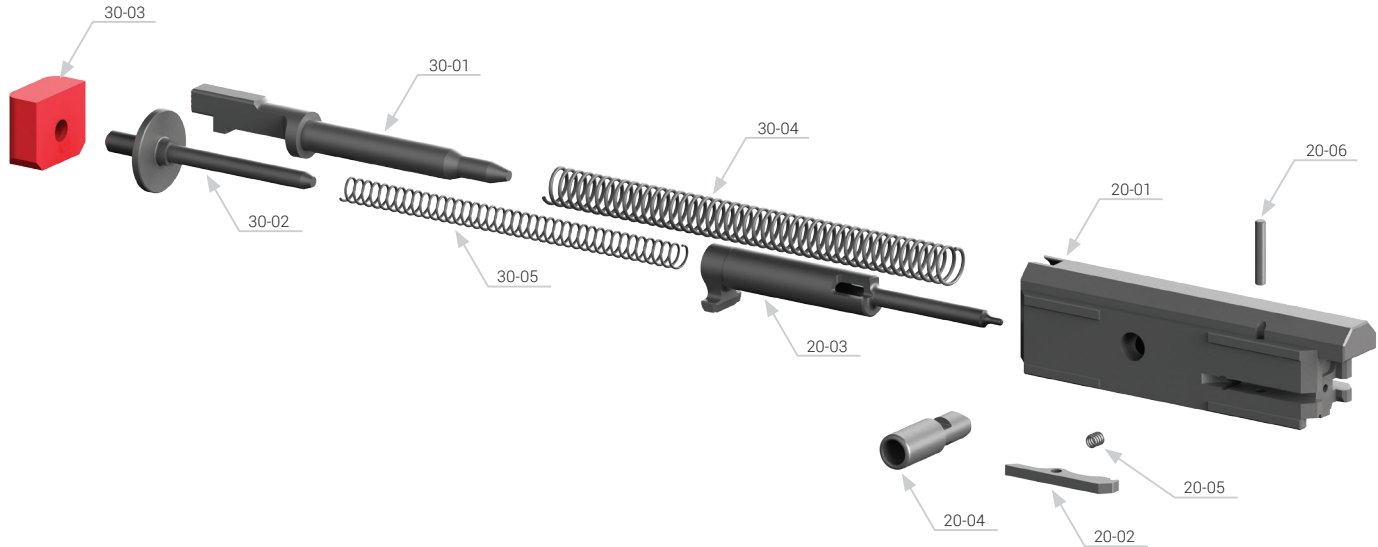
10-01 Receiver
10-02 Barrel 120mm
10-03 Handguard 1

10-05 Ejector
10-06 Flash suppressor
10-07 Flash suppressor pin 1

10-10 Spring of the flash suppressor 1
10-13 Pin of the flash suppressor 1
10-14 Pin of the barrel 1

10-15 Pin of the barrel 2
10-16 Pin of the ejector

SET OF THE BOLT AND THE RETURN MECHANISM OF THE WEAPON – BREAKDOWN OF THE COMPONENTS



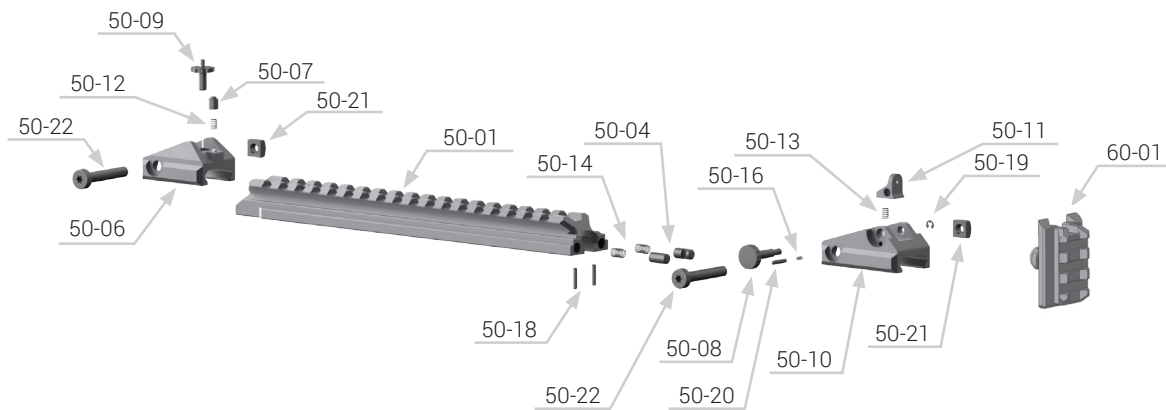
20-01 Bolt of the weapon
20-02 Extractor
20-03 Striker

20-04 Bolt lever
20-05 Spring of the extractor
20-06 Pin of the extractor

30-01 Recoil spring carrier
30-02 Striker spring rod
30-03 Bumper

30-04 Recoil spring
30-05 Striker spring

SET OF THE COVER AND THE BUTT OF THE WEAPON – BREAKDOWN OF THE COMPONENTS



50-01 Cover v1/6

50-04 Pivot of the cover

50-06 Carrier of the foresight

50-07 Arresting pin of the foresight

50-09 Foresight

50-10 Carrier of the rear sight

50-11 Rear sight

50-12 Spring of the foresight

50-13 Springs of the rear sight

50-14 Spring of the cover pivot

50-16 Spring of the screw of the rear sight

50-18 Pin of the cover pivot

50-19 Safety ring

50-20 Pivot of the screw of the rear sight

50-21 Ring of the screw of the sights

50-22 Screw of the sights

60-01 Carrier of the butt

SET OF THE TRIGGER MECHANISM OF THE WEAPON – BREAKDOWN OF THE COMPONENTS



- 40-01 Grip panel
- 40-02 Slide stop catch
- 40-03 Side plate – left
- 40-04 Side plate – right
- 40-05 Trigger
- 40-06 Pivot
- 40-07 Disconnector
- 40-08 Blocking of the trigger
- 40-09 Sear
- 40-10 Distance washer

- 40-11 Magazine catch
- 40-12 Button of the magazine catch
- 40-13 Safety catch
- 40-14 Blocking of the striker
- 40-15 Spring rod
- 40-16 Blocking of the stop of the magazine
- 40-17 Stop of the magazine Glock
- 40-18 Spring of the magazine catch
- 40-19 Spring of the disconnector
- 40-20 Spring of the sear

PACKAGE CONTAINS

Paper box with lining with indication of version and number of weapon

- Weapon in basic version with mechanical sights
- Benchrest target
- Operating instructions, which include a warranty card

WARRANTY GUIDELINES

- Warranty period for the weapon is 2 years
- Be mindful of the proper weapon handling according to these operating instructions. In the case of improper weapon handling, the manufacturer is not liable for the caused damages and the buyer loses its warranty
- Always use 9mm Luger (9x19) ammunition conforming to C.I.P. standard – when using other ammunition, the manufacturer is not liable for the caused damages and the buyer loses its warranty
- Do not make any weapon modifications (especially not in the area of functional mechanisms) – in case of making any weapon modifications, the manufacturer is not liable for the caused damages and the buyer loses its warranty

WARRANTY CARD

Model and version
of the weapon:

Serial number:

Day - month - year of purchase
of the weapon by the buyer:

Name, registered office, company number
of the seller (stamp, signature):

Warranty record

1st repair

2nd repair

3rd repair

EXPORTED BY:



ADSEC – consulting s.r.o.
Kaňovice 113
763 41 Biskupice u Luhačovic
Česká republika

company@adsec-consulting.cz
www.adsec-consulting.cz

IMPORTED BY:



Four Peaks Imports, LLC
1492 West Victory Lane
Phoenix, AZ
85027 USA

info@fourpeaksimports.com
www.fourpeaksimports.com

CZECH | WEAPONS

PRODUCED BY:

CZECH WEAPONS s. r. o., Družstevní I/195, Hrádek na Vlárské dráze, 763 21 Slavičín, Czech Republic
E-mail: info@czws.cz, www.czechweapons.com