



**FNS™**

**AUTOLOADING PISTOL  
OWNER'S MANUAL**

Important operating instructions for

## **FNS™ AUTOLOADING PISTOLS**

If you have any questions or comments regarding your new firearm, please contact us.

FN Product Service Center, (855) 536-4872 [www.fnamerica.com](http://www.fnamerica.com)

Please use the space below to record information about your new firearm.

Model \_\_\_\_\_

Serial Number \_\_\_\_\_

Purchased From \_\_\_\_\_

Date of Purchase \_\_\_\_\_

## CONTENTS PAGE

1. Foreword.....	2	16. Unloading.....	28
2. Contents of the Storage Case .....	3	16.1. Unloading the Pistol .....	28
3. California State Warning, Safety and Warranty Notes .....	4	16.2. Unloading the Magazine.....	29
4. Firearm Safety Information.....	5	17. Cleaning and Lubrication.....	29
5. Nomenclature.....	14	17.1. Disassembling the Pistol.....	30
6. Description and Operation.....	14	17.2. Cleaning and Lubrication Before Firing.....	32
6.1. Description.....	14	17.3. Cleaning and Lubrication After Firing .....	33
6.2. Operation .....	14	17.4. Assembling the Pistol.....	34
7. Initial Cleaning .....	15	17.5. Disassembling the Magazine.....	36
8. Operation of the safety.....	15	17.6. Cleaning and Lubrication of the Magazine .....	37
8.1. Manual safety Lever Function.....	17	17.7. Assembling the Magazine .....	37
8.2. Trigger safety Function.....	17	18. Taking Care of the Pistol .....	38
9. Ambidextrous Slide Stop.....	18	19. Accessories .....	39
10. Loaded Chamber Indicator .....	19	19.1. Interchangeable Backstraps ...	39
11. Before Using the Pistol .....	19	19.2. Accessory Rail .....	40
12. Carrying Your Pistol .....	20	20. Sighting.....	40
13. Ammunition .....	21	21. Troubleshooting.....	41
14. Loading .....	21	21.1. Troubleshooting Matrix .....	42
14.1. Magazine Capacity .....	21	22. Warranty, Service and Technical Questions .....	44
14.2. Loading the Magazine .....	23	23. Service Policy .....	45
14.3. Loading the Pistol.....	24	24. Technical Specifications.....	46
15. Firing .....	25		
15.1. Firing the Pistol.....	25		
15.2. Reloading During Firing.....	27		

## **THIS OWNER'S MANUAL HAS BEEN WRITTEN EXCLUSIVELY FOR THE FNS™ PISTOLS.**

Warnings and instructions are different for each type of pistol.

If your FN pistol has inscriptions other than “FNS™-9” or “FNS™-9C” and “9mm” or other than “FNS™-40” or “FNS™-40C” and “40 S&W” on its front left side, or if the external appearance of the pistol does not correspond to the illustrations of this owner's manual, you must contact your dealer, or for military or law enforcement your departments armorer or contact us immediately to obtain the free owner's manual that has been written specifically for your pistol.

### **1. FOREWORD**

We are pleased that you have chosen an FN FNS™ autoloading pistol. Based on sound firearm design, the FNS™ stands for the highest level of reliability, consistent accuracy, functional design and provides the operating precision and safety expected from an FN firearm.

The FNS™ is a recoil-operated, striker-fired autoloading pistol. Depending on the specific model of your FNS™ pistol, it may be equipped with an ambidextrous manual safety lever. With the chamber and the magazine loaded, the pistol will fire a single cartridge each time the trigger is pulled until the magazine and the chamber are empty. The slide of this pistol will stay open after the last cartridge has been fired from the magazine.

Simple and durable in design, the pistol is very easy to maintain. With a reasonable amount of care, your FNS™ should give you many years of dependable service. In order to take maximum advantage of the many features of your FNS™, regularly review this owner's manual.

Please contact us if you have any observations or questions regarding the performance or the operation of your pistol.

Thank you.

## 2. CONTENTS OF THE STORAGE CASE

The pistol and its accessories are shipped in a storage case.

The contents of the storage case include:

- FNS pistol
- Locking device and two keys (Use the locking device to assist in the safe storage and transport of the pistol. Always keep the keys in a safe place.)
- Two spare magazines (10-round magazines are provided where required by law.) Note: All FNS Compact pistols include a magazine sleeve for use with a full-length magazine. The number of magazines may vary based on configuration.
- One alternate backstrap - (most models)
- Owner's manual

### 3. CALIFORNIA STATE WARNING, SAFETY AND WARRANTY NOTES

According to state law, California requires that firearm manufacturers, distributors and retailers include conspicuous, specific warnings with firearms sold in that state.

#### **▲WARNING**

“Children are attracted to and can operate firearms that can cause severe injuries or death. Prevent child access by always keeping guns locked away and unloaded when not in use. If you keep a loaded firearm where a child obtains and improperly uses it, you may be fined or sent to prison.”

#### **▲ADVERTENCIA**

“A los niños los atraen las armas de fuego y las pueden hacer funcionar. Ellos pueden causarse lesiones graves y la muerte. Evite que los niños tengan acceso a las armas de fuego guardándolas siempre con llave y descargadas cuando no las esté utilizando. Si usted tiene un arma de fuego cargada en un lugar en que un niño tiene acceso a ella y la usa indebidamente, le pueden dar una multa o enviarlo a la cárcel.”

#### **▲DANGER**

**LIKE ALL FIREARMS, IF HANDLED IN A CARELESS OR RECKLESS MANNER THE FNS CAN BE VERY DANGEROUS. FAILURE TO FOLLOW THE INFORMATION IN THIS OWNER'S MANUAL COULD RESULT IN SERIOUS INJURY OR DEATH.**

**ALWAYS WEAR SAFETY GLASSES AND HEARING PROTECTION WHENEVER YOU ARE SHOOTING. ALWAYS MAKE CERTAIN THAT PERSONS CLOSE TO YOU ARE SIMILARLY PROTECTED. UNPROTECTED EYES MAY BE INJURED BY POWDER, GAS, CARBON RESIDUE, LUBRICANT,**

**METALLIC PARTICLES, OR SIMILAR DEBRIS WHICH MAY EMANATE OCCASIONALLY FROM ANY FIREARM IN NORMAL USE. WITHOUT ADEQUATE HEARING PROTECTION, EXPOSURE TO SHOOTING NOISE CAN PERMANENTLY DAMAGE YOUR HEARING.**

For that reason, this firearm has been sold under the express understanding that FN declines any responsibility and invalidates any warranty and liability claims for incidental or consequential damages, injuries, loss of use of property, commercial loss, loss of earnings and profits, resulting in whole or partly from:

- The use of reloaded ammunition
- A discharge with criminal intent or through negligence
- Improper or careless handling
- Unauthorized servicing
- The modification or alteration of the basic firearm design
- The use of non-original parts
- The modification or alteration of the safety devices
- The use of incorrect “arms and ammunition” combinations
- The use of defective or unsafe ammunition
- Inadequate care of the firearm (e.g. corrosion, damage.)
- Disregard of malfunctions
- Resale in contradiction to law
- Other circumstances beyond our direct and immediate control

***NOTICE!* FN RESERVES THE RIGHT TO REFUSE SERVICING A FIREARM WHICH HAS BEEN MODIFIED BY REMOVAL OF METAL FROM THE BARREL OR SLIDE, MODIFICATIONS OF THE FIRING MECHANISM AND/OR OTHER PARTS, AND WILL, IN SUCH A CASE, ALWAYS RECOMMEND RESTORING THE FIREARM TO ITS ORIGINAL SPECIFICATIONS. PARTS AND LABOR REQUIRED FOR SUCH A RESTORATION ARE PAYABLE BY THE OWNER OF THE FIREARM.**

#### **4. FIREARM SAFETY INFORMATION**

**▲WARNING**

**FAILURE TO FOLLOW ANY OF THE FOLLOWING WARNINGS  
COULD RESULT IN SERIOUS INJURY OR DEATH.**

As a firearm owner, you accept a set of demanding responsibilities. How seriously you take these responsibilities can be the difference between life and death.

There is no excuse for careless or abusive handling of any firearm. At all times handle this firearm and all other firearms with intense respect for their power and potential danger.

Please read and understand all of the cautions, warnings, notices, proper handling procedures and instructions outlined in this owner's manual before using your new firearm.

**1 ALWAYS KEEP THE MUZZLE OF YOUR FIREARM  
POINTED IN A SAFE DIRECTION EVEN THOUGH YOU  
ARE CERTAIN IT IS UNLOADED.**

Never point any firearm at anything you do not intend to shoot. Be extremely alert and aware of all persons and property within the range of your ammunition.

**2 NEVER RELY TOTALLY ON YOUR FIREARM'S  
MECHANICAL SAFETY DEVICES. LIKE ANY MECHANICAL  
DEVICE, A SAFETY CAN SOMETIMES FAIL; IT CAN BE  
JARRED OR INADVERTENTLY MANIPULATED INTO AN  
UNSAFE CONDITION.**

The word safety describes a firearm's trigger block mechanism, sear block mechanism, hammer block mechanism or striker block mechanism. Mechanical safeties are designed to place your firearm in a safer status, and no guarantee can be made that the firearm will not fire even if the safety is in the on safe position. Mechanical safeties merely aid safe gun handling and are no excuse for pointing your firearm's muzzle in an unsafe direction. See Section 8



for instructions on the operation of this firearm's safety.

Remember, safe gun handling does not stop with your firearm's mechanical safety devices, it starts there. Always treat this firearm with the respect due a loaded, ready-to-fire firearm.

Some firearms do not have a mechanical safety. Many target firearms, lever-action firearms and pistols do not have manual safety mechanisms. Therefore it is critical to read and understand the owner's manual for every firearm which explains the safe operation of the firearm.

While it is a good idea to "test" your firearm's mechanical safety periodically for proper function, never test the safety while your firearm is loaded or pointed in an unsafe direction.

### **3 WHENEVER YOU HANDLE ANY FIREARM, OR HAND IT TO SOMEONE, ALWAYS OPEN THE ACTION IMMEDIATELY AND VISUALLY CHECK THE FIREARM'S CHAMBER AND MAGAZINE TO MAKE CERTAIN THAT THE FIREARM IS COMPLETELY UNLOADED.**

Completely unload your firearm as described in Section 16.1. Make certain the firearm does not inadvertently contain any ammunition. Remember, merely removing the magazine does not mean the chamber is unloaded. Always keep the chamber empty and, if so equipped, the safety in the on safe position unless shooting is imminent.

### **4 ALWAYS WEAR EYE AND HEARING PROTECTION WHEN SHOOTING.**

Unprotected, repeated exposure to gunfire can cause hearing damage. Wear ear protectors (shooting earplugs or muffs) to guard against such damage.

Wear shooting glasses to protect your eyes from flying particles. Allow proper distance (eye relief) between a scope and your eye when firing a scoped pistol, rifle or shotgun. Do not use unorthodox shooting

methods that could cause the rearward travel of the slide or bolt of a firearm to contact your eyes, face or hands. Always keep a safe distance between the muzzle of your firearm and any persons nearby, as muzzle blast, debris and ejecting shells could inflict serious injury.

Always wear eye protection when disassembling and cleaning your pistol to prevent the possibility of springs, spring-tensioned parts, solvents or other agents from contacting your eyes.

**5 KEEP ALL FIREARMS UNLOADED DURING TRANSPORT, EVEN WHEN STORED IN A HOLSTER, GUN CASE, SCABBARD OR OTHER CONTAINER.**

For law enforcement and military personnel, refer to the procedures of your department on carrying a loaded firearm.

**6 DROPPING OR JARRING A LOADED FIREARM CAN CAUSE AN ACCIDENTAL DISCHARGE.**

This can occur even with the safety in the on safe position. Be extremely careful while hunting or during any shooting activity, to avoid dropping any firearm.

**7 SHOOTING FROM ELEVATED SURFACES IS DANGEROUS.**

Doing so may increase the risk of mishandling a firearm. The following rules should always be observed. Always make certain that the surface being used is safe and stable. Always make certain that your firearm is unloaded when it is being taken up and down from the surface. Always make certain that your firearm is not dropped from the surface, or dropped while it is being taken up or down from the surface. Remember, a loaded firearm may discharge when dropped, even with the safety in the on safe position.

**8 STORE YOUR FIREARM AND AMMUNITION SEPARATELY, WELL BEYOND THE REACH OF CHILDREN.**

Take prudent safeguards to ensure your firearm does not become available to untrained, inexperienced or unwelcome hands.

Store all firearms in secure, locked cases or a gun safe. Keep your firearm unloaded when not in use. At all times, comply with local and state laws.

For law enforcement and military personnel, refer to the procedures of your department on storing your firearm.

## **9 BEWARE OF BARREL OBSTRUCTIONS.**

Mud, snow and an infinite variety of other objects may inadvertently lodge in a barrel bore. It only takes a small obstruction to cause dangerously increased pressures that can damage your firearm and cause serious injury to yourself and others.

**BEFORE CHECKING FOR A BARREL OBSTRUCTION, BE CERTAIN YOUR FIREARM IS COMPLETELY UNLOADED, THERE IS NOT A LIVE CARTRIDGE IN THE CHAMBER AND, IF SO EQUIPPED, THE SAFETY IS IN THE ON SAFE POSITION.**

Completely unload the firearm as described in Section 16.1. After assuring yourself that the firearm is completely unloaded, open the breech or action and look through the barrel to be sure it is clear of obstructions. If an obstruction is seen, no matter how small it may be, clean the bore with a cleaning rod and patch as described in Sections 17.2. and 17.3. of this owner's manual.

## **10 BE ALERT TO THE SIGNS OF AMMUNITION MALFUNCTION. IF YOU DETECT AN OFF SOUND OR LIGHT RECOIL WHEN A CARTRIDGE IS FIRED, DO NOT LOAD ANOTHER CARTRIDGE INTO THE CHAMBER.**

If your firearm fails to fire, keep the muzzle pointed in a safe direction for a minimum of 30 seconds. Rotate the ejection area of the firearm away from you, carefully open the action and remove the cartridge from the chamber. If the primer is indented, the defective cartridge should be disposed of in a way that cannot cause harm. If the primer is not indented, your firearm should be examined by a qualified gunsmith and the cause of the malfunction corrected before further

use. Glance down the barrel to make sure that no obstructions remain in the barrel. Completely clear the barrel before loading and firing again. Failure to follow these instructions can cause extensive damage to your firearm and possible serious injury to yourself and others.

### **11 NEVER INSERT A CARTRIDGE OF THE INCORRECT CALIBER INTO ANY FIREARM.**

The caliber of your firearm is marked on the slide and barrel. Store all cartridges of different calibers in completely separate and well-marked containers. Never store cartridges of mixed calibers in a common container or in your pockets. See Section 13 for more information on the correct ammunition for your firearm.

### **12 EXAMINE EVERY CARTRIDGE YOU PUT IN YOUR FIREARM.**

We assume no responsibility for the use of unsafe or improper firearm and ammunition combinations or damage or injury caused by damaged ammunition. It is your responsibility to read and heed all warnings in this owner's manual and on ammunition boxes. See Section 13 for more information on the correct ammunition for your firearm.

### **13 DO NOT USE HANDLOADED OR RELOADED AMMUNITION; USE ONLY NEW SAAMI, NATO, OR CIP APPROVED AMMUNITION.**

The barrel and the slide of this pistol have been made with substantial safety margins over the pressures developed by established American commercial loads. Nevertheless, we can assume no liability for incidents that occur through the use of cartridges of nonstandard dimensions or that develop pressures in excess of commercially available ammunition which has been loaded in accordance with standards established by the Sporting Arms and Ammunition Manufacturers' Institute (SAAMI).

### **14 MAKE SURE OF ADEQUATE VENTILATION IN THE AREA THAT YOU DISCHARGE A FIREARM. LEAD EXPOSURE**

**CAN OCCUR FROM DISCHARGING FIREARMS IN POORLY VENTILATED AREAS, CLEANING FIREARMS OR HANDLING AMMUNITION.**

Lead is a substance that has been known to cause birth defects, reproductive harm and other serious injury. Wash hands thoroughly after exposure to ammunition or after cleaning a firearm.

**15 DO NOT RELEASE THE STRIKER ON AN EMPTY CHAMBER: THE CHAMBER MAY NOT BE EMPTY!**

Treat every pistol with the respect due to a loaded pistol, even though you are certain the pistol is unloaded.

**16 KEEP YOUR FINGERS AWAY FROM THE TRIGGER AT ALL TIMES UNTIL SHOOTING IS IMMINENT.**

**17 BE SURE OF YOUR TARGET AND BACKSTOP, PARTICULARLY DURING LOW LIGHT PERIODS.**

Know the range of your ammunition. Never shoot at water or hard objects.

**18 ALWAYS UNLOAD YOUR FIREARM'S CHAMBER BEFORE CROSSING A FENCE, CLIMBING A TREE, JUMPING A DITCH OR NEGOTIATING OTHER OBSTACLES.**

Never place your firearm on or against a fence, tree, car or other similar object.

For law enforcement and military personnel, refer to the procedures of your department.

**19 BE DEFENSIVE AND ON GUARD AGAINST UNSAFE GUN HANDLING AROUND YOU AND OTHERS.**

Don't be timid when it comes to gun safety. If you observe other shooters violating any of these safety precautions, politely suggest safer handling practices.

**20 BE CERTAIN YOUR FIREARM IS UNLOADED BEFORE CLEANING.**

Because so many gun accidents occur when a firearm is being cleaned, special and extreme care should be taken to be sure your firearm is unloaded before disassembly, cleaning and reassembly. Keep ammunition away from the cleaning location. Never test the mechanical function of any firearm with live ammunition.

**21 TEACH AND SUPERVISE FIREARMS SAFETY TO ALL MEMBERS OF YOUR FAMILY, ESPECIALLY TO CHILDREN AND NON-SHOOTERS.**

Closely supervise newcomers to the shooting sports. Encourage enrollment in hunting and shooting safety courses.

**22 NEVER DRINK ALCOHOLIC BEVERAGES OR TAKE ANY TYPE OF DRUGS BEFORE OR DURING SHOOTING.**

Your vision, motor skills and judgment could be dangerously impaired, making your gun handling unsafe to you and to others.

**23 READ AND HEED ALL WARNINGS IN THIS OWNER'S MANUAL, ON AMMUNITION BOXES AND WITH ALL ACCESSORIES THAT YOU INSTALL ON YOUR FIREARM.**

It is your responsibility to secure the most up-to-date information on the safe handling procedures for your FN firearm.

We assume no liability for incidents that occur when unsafe or improper pistol accessories or ammunition combinations are used.

**24 PRACTICE PERIODIC MAINTENANCE, AVOID UNAUTHORIZED SERVICING.**

Your firearm is a mechanical device which will not last forever, and as such, is subject to wear and requires periodic inspection, adjustment and service. FN firearms should be serviced by an FN Product Service Center or by our service facility in Columbia, South Carolina.

We cannot assume any responsibility for injuries suffered or caused by unauthorized servicing, alterations or modifications of FN firearms.

**FIGURE 1**



Right view of the FNS pistol.

**FIGURE 2**



Left view of the FNS pistol.

## **25 WE RESERVE THE RIGHT TO REFUSE SERVICE ON FIREARMS THAT HAVE BEEN ALTERED, ADDED TO OR SUBSTANTIALLY CHANGED.**

Removal of metal from the barrel or modifications of the firing mechanism and/or operating parts may lead to a refusal of service on such firearms. We will charge the owner for parts and labor to return the firearm to original FN specifications.

**DO NOT, UNDER ANY CIRCUMSTANCES, ALTER THE TRIGGER, SAFETY OR OTHER PARTS OF THE FIRING MECHANISM OF THIS OR ANY OTHER FIREARM. FAILURE TO OBEY THIS WARNING MAY RESULT IN INJURY OR DEATH TO YOURSELF OR OTHERS.**

# BE CAREFUL!

## **5. NOMENCLATURE**

In conventional gun terminology, the position and movement of parts are described as they occur with the firearm horizontal and in the normal firing position: the muzzle is forward or front, the pistol grip is rearward or rear, the trigger is downward or underneath, the sights are upward or on top. For general parts nomenclature refer to Figures 1 and 2 (page 13).

Most of the illustrations in this owner's manual show the FNS pistol with the curved backstrap. If desired, the ergonomics of the pistol grip can be modified by replacing the backstrap. For more information on replacing the backstrap refer to Section 19.1.

## **6. DESCRIPTION AND OPERATION**

### **6.1. DESCRIPTION**

The FNS is a modern autoloading, striker-fired pistol that functions on the principle of recoil operation. The frame is constructed from a durable polymer.

### **6.2. OPERATION**



When the trigger is pulled, the striker contacts the primer of the cartridge, resulting in the pistol firing. The recoil force causes the slide to be moved rearward. During the rearward movement of the slide, the empty cartridge case is ejected out of the ejection port. If there is a cartridge in the magazine, the slide then returns forward by the force of the recoil spring, picks up a cartridge from the magazine and loads it into the chamber, ready to be fired. If there is not a cartridge in the magazine during this movement, the ambidextrous slide stop will engage and the slide remains open.

With the chamber and the magazine loaded, the pistol will fire a single shot each time the trigger is pulled until the magazine and the chamber are empty. The slide of this pistol is designed to stay open after the last cartridge has been fired from the magazine.

## 7. INITIAL CLEANING

Various exposed metal parts of your pistol have been coated at the factory with a rust preventative lubricant. Before using your pistol, clean the rust preventative lubricant from the inside of the barrel, slide and the action/chamber areas with a quality gun oil as explained in Section 17.2. If your pistol is to be stored, it is acceptable to leave the rust preventative lubricant on the pistol and keep it in its original packaging. Never fire the pistol upon purchase without cleaning it first. If the pistol contains hardened grease or other substances that you cannot remove, have the pistol checked by your dealer or departmental armorer.

For law enforcement and military personnel, refer to the procedures of your department.

## 8. OPERATION OF THE SAFETY

**▲WARNING**

**ALWAYS KEEP THE MUZZLE POINTED IN A SAFE DIRECTION EVEN IF YOU ARE CERTAIN THE PISTOL IS UNLOADED. IF SO EQUIPPED, ALWAYS KEEP THE SAFETY LEVER IN THE ON SAFE POSITION AND YOUR FINGERS AWAY FROM THE**

**TRIGGER UNLESS SHOOTING IS IMMINENT. A FAILURE OF A SAFETY DEVICE CAN OCCUR AT ANY TIME, ESPECIALLY WHEN THE PISTOL IS SUBJECTED TO EXTREME FORCES OR CONDITIONS NOT NORMALLY ENCOUNTERED UNDER NORMAL SHOOTING CONDITIONS.**

**CHAMBER A CARTRIDGE ONLY WHEN SHOOTING IS IMMINENT. WHEN YOU PLACE A CARTRIDGE IN THE CHAMBER, IF YOUR PISTOL IS SO EQUIPPED, IMMEDIATELY PLACE THE SAFETY LEVER IN THE ON SAFE POSITION.**

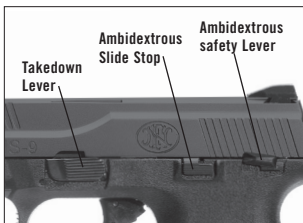
**ALWAYS TRANSPORT AND STORE YOUR PISTOL WITH THE CHAMBER AND MAGAZINE COMPLETELY UNLOADED AND, IF SO EQUIPPED, WITH THE SAFETY LEVER IN THE ON SAFE POSITION.**

**NEVER RELY TOTALLY ON THE SAFETY MECHANISMS OF YOUR PISTOL. LIKE ANY OTHER MECHANICAL DEVICE, IT COULD FAIL; IT CAN BE JARRED OR INADVERTENTLY MANIPULATED INTO AN UNSAFE CONDITION.**

**FAILURE TO FOLLOW THESE WARNINGS COULD RESULT IN SERIOUS INJURY OR DEATH.**

Some FNS pistol models feature an ambidextrous manual safety lever located on both sides of the rear of the frame, while other FNS models have only a trigger safety (Figures 3 and 4) and internal safeties.

**FIGURE 3**



The locations of the takedown lever, ambidextrous slide stop, and the ambidextrous manual safety lever on the FNS Manual Safety model.

**FIGURE 4**



The locations of the takedown lever and ambidextrous slide stop on the FNS. Note the lack of an ambidextrous manual safety lever.

On FNS pistols so equipped, these levers can be conveniently operated by a left- or right-handed shooter. The levers are serrated for positive manipulation. Unless shooting is imminent, the manual safety lever should remain in the on safe position.

## 8.1. MANUAL SAFETY LEVER FUNCTION

- On Safe: To place the pistol in the on safe position, raise the manual safety lever up with your thumb (Figure 5) until it clicks into place and the red warning dot is completely covered.
- Off Safe: To place the safety in the off safe or ready-to-fire position, press the manual safety lever down, exposing the red warning dot. The red warning dot appears on both sides of the frame (Figure 6).

### **⚠WARNING**

**DO NOT DEPEND ON THE RED COLOR ALONE TO INDICATE YOUR FIREARM'S SAFETY STATUS. TIME, EXPOSURE TO THE ELEMENTS, AND THE ABRASIVE ACTION OF CLEANING AGENTS CAN ERASE IT. FAILURE TO FOLLOW THIS WARNING COULD RESULT IN SERIOUS INJURY OR DEATH.**

With a cartridge in the chamber and the magazine inserted, the pistol is now ready for firing with a pull of the trigger.

FIGURE 5



The ambidextrous manual safety lever shown in the on safe position.

FIGURE 6



The ambidextrous manual safety lever shown in the off safe position.

## 8.2. TRIGGER SAFETY FUNCTION

On non-manual safety FNS models equipped with a trigger safety, the articulated fingerpiece on the trigger (as shown in Figures 1 and 2 on page 13) functions as the “safety.” You should keep the muzzle pointed in a safe direction, with your finger off the trigger and outside the trigger guard until shooting is imminent.

With a cartridge in the chamber and the magazine inserted, the pistol is now ready for firing with a pull on the trigger.

## 9. AMBIDEXTROUS SLIDE STOP

### **▲WARNING**

**WHEN USING THE AMBIDEXTROUS SLIDE STOP TO CLOSE THE SLIDE, ALWAYS KEEP THE MUZZLE POINTED IN A SAFE DIRECTION AND KEEP YOUR FINGERS AWAY FROM THE TRIGGER. UNLESS SHOOTING IS IMMINENT, ALWAYS REMOVE THE MAGAZINE FROM THE PISTOL BEFORE CLOSING THE SLIDE TO PREVENT INADVERTENTLY LOADING A CARTRIDGE FROM THE MAGAZINE INTO THE CHAMBER. FAILURE TO FOLLOW THESE WARNINGS COULD RESULT IN SERIOUS INJURY OR DEATH.**

**MAKE SURE YOUR FINGERS ARE SAFELY AWAY FROM THE EJECTION PORT WHEN THE SLIDE IS RELEASED TO AVOID PINCHING THEM WHEN THE SLIDE CLOSES. FAILURE TO FOLLOW THIS WARNING COULD RESULT IN SERIOUS INJURY.**

The ambidextrous slide stop is located on both sides of the frame, above the trigger (Figures 3 and 4, page 16). It automatically engages after the last shot in the magazine has been fired. It can also be used to lock the slide in the rearward position when the magazine is removed.

To lock the slide in the open or back position, pull the slide all the way to the rear and press upward on the ambidextrous slide stop.

To release the slide when no magazine is in the pistol and the slide is locked rearward, pull the slide to the rear to disengage the slide stop to allow the slide to return to the forward position. You may also press downward on the ambidextrous slide stop to release the slide.

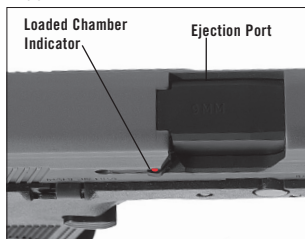
## 10. LOADED CHAMBER INDICATOR

The loaded chamber indicator is located at the right side of the slide just behind the ejection port. If it is protruding and showing a red marking, this means that there is a cartridge in the chamber (Figure 7).

### **⚠WARNING**

**DO NOT DEPEND ON THE RED COLOR ALONE TO INDICATE IF YOUR FIREARM IS LOADED. TIME, EXPOSURE TO THE ELEMENTS, AND THE ABRASIVE ACTION OF CLEANING AGENTS CAN ERASE IT. FAILURE TO FOLLOW THIS WARNING COULD RESULT IN SERIOUS INJURY OR DEATH.**

FIGURE 7



The loaded chamber indicator showing a cartridge is in the chamber.

## 11. BEFORE USING THE PISTOL

### **⚠WARNING**

**CARRY OUT THE FOLLOWING PROCEDURES BEFORE HANDLING, STORING AND/OR TRANSPORTING YOUR PISTOL. FAILURE TO FOLLOW THESE WARNINGS COULD RESULT IN SERIOUS INJURY OR DEATH.**

1. Press the ambidextrous magazine release in to eject the magazine. If the magazine does not eject from the magazine well, press and hold the ambidextrous magazine release while gently pulling on the magazine bottom plate.

2. Pull the slide fully rearward and hold it in that position. Press the ambidextrous slide stop upward and lock the slide in the rearward position as detailed in Section 9.
3. Look through the ejection port into the chamber of the pistol in order to ensure that there is no cartridge in the chamber. If there is a cartridge in the chamber, unload the pistol as described in Section 16.1.
4. Release the slide by pushing downward on the ambidextrous slide stop or by pulling rearward on the slide to disengage the slide stop and then let the slide move forward under control.
5. If so equipped, place the manual safety lever in the on safe position as described in Section 8.1.
6. Ensure that the magazine is empty. If the magazine is not empty, unload it as described in Section 16.2. Unload any spare magazines.

## 12. CARRYING YOUR PISTOL

### **▲WARNING**

**THE RECOMMENDED CARRY POSITION OF YOUR PISTOL IS, IF SO EQUIPPED, WITH THE MANUAL SAFETY IN THE ON SAFE POSITION AND THE CHAMBER EMPTY. FAILURE TO FOLLOW THESE WARNINGS COULD RESULT IN SERIOUS INJURY OR DEATH.**

For good safety practice, it is recommended that the pistol is carried, if so equipped, with the manual safety lever in the on safe position as explained in Section 8.1. and a cartridge not be chambered until shooting is imminent. if your pistol is equipped with only a trigger safety, do not carry the firearm with a cartridge in the chamber, and use extra caution to ensure nothing comes in contact with the trigger.

For law enforcement and military personnel, refer to the procedures of your department on carrying a loaded firearm.

## 13. AMMUNITION

### **▲WARNING**

**DO NOT USE AMMUNITION OTHER THAN WHAT IS INSCRIBED ON THE LEFT SIDE OF THE SLIDE AND ON THE BARREL. EXAMINE EVERY CARTRIDGE YOU PUT IN YOUR PISTOL. FAILURE TO USE THE CORRECT AMMUNITION MAY RESULT IN SERIOUS INJURY TO YOURSELF OR OTHERS.**

The FNS-9 pistol should only be used with 9mm Parabellum caliber ammunition as indicated by the 9mm inscription engraved in the front left side of the slide and the upper rear side of the barrel, visible through the ejection port.

The FNS-40 pistol should only be used with 40 S&W caliber ammunition as indicated by the inscription engraved in the front left side of the slide and the upper rear side of the barrel, visible through the ejection port.

## 14. LOADING

### **▲WARNING**

**WHEN LOADING YOUR PISTOL ALWAYS KEEP THE MUZZLE POINTED IN A SAFE DIRECTION, AND IF SO EQUIPPED, ALWAYS PLACE THE MANUAL SAFETY IN THE ON SAFE POSITION AND KEEP YOUR FINGERS AWAY FROM THE TRIGGER. FAILURE TO FOLLOW THESE WARNINGS COULD RESULT IN SERIOUS INJURY OR DEATH.**

### 14.1. MAGAZINE CAPACITY

The FNS magazine is unique for the pistol type and should not be used in other pistols. No other magazine type should be used in your FNS pistol. The specialized, advanced design makes the magazine highly reliable and results in easy maintenance and cleaning.

FNS-9 and FNS-9 Longslide pistols have a standard magazine capacity of 17 rounds in the magazine plus one in the chamber, for a total capacity of 18 rounds. FNS-9 Compact pistols have a magazine capacity of 12 rounds in

**FIGURE 8**



**FNS-9 10-round magazine.**

**FIGURE 9**



**FNS-9 17-round magazine.**

the magazine plus one in the chamber, for a total capacity of 13 rounds. FNS-40 and FNS-40 Longslide pistols have a standard magazine capacity of 14 rounds in the magazine plus one in the chamber, for a total capacity of 15 rounds. FNS-40 Compact pistols have a magazine capacity of 10 rounds in the magazine plus one in the chamber, for a total capacity of 11 rounds. All FNS Compact pistols include a magazine sleeve that allows a standard, full-length magazine to be used.

Some jurisdictions limit the magazine capacity to 10 rounds plus one in the chamber, for a total capacity of 11 rounds. All FNS pistols sold in those jurisdictions will be shipped with limited capacity magazines in compliance with local or state law. Make sure you have verified the capacity of your magazine before loading it in your pistol.

**IMPORTANT:** 10-round magazines for FNS pistols can be identified by the number “10” stamped near the lowest index hole on the back of the magazine (Figure 8). 10-round magazines have two openings in the rear which allow you to estimate the number of remaining cartridges. If the base of a cartridge is visible in the hole marked 10, the magazine is fully loaded, while the hole marked 5 allows you to estimate the number of cartridges still in the magazine.

17-round magazines for the FNS-9 can be identified by the number “17” stamped near the lowest index hole on the back of the magazine (Figure 9). 17-round magazines have openings in the rear which allow you to estimate the number of remaining cartridges. If the base of a cartridge is visible in the hole marked “17”, the magazine is fully loaded.



14-round magazines for the FNS-40 can be identified by the number “14” stamped near the lowest index hole on the back of the magazine. 14-round magazines have three openings in the rear which allow you to estimate the number of remaining cartridges. If the base of a cartridge is visible in the hole marked “14”, the magazine is fully loaded, while the holes marked “5” and “10” allow you to estimate the number of cartridges remaining in the magazine.

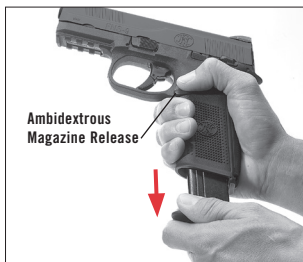
## 14.2. LOADING THE MAGAZINE

### **▲WARNING**

**IT IS RECOMMENDED ONLY TO LOAD THE NUMBER OF CARTRIDGES YOU INTEND TO SHOOT. DO NOT INSERT THE MAGAZINE BACK INTO THE PISTOL NOR LOAD A CARTRIDGE INTO THE CHAMBER UNLESS SHOOTING IS IMMINENT.**

The magazine will drop from the magazine well when the ambidextrous magazine release is pressed (Figure 10). It is recommended to use the thumb of the shooting hand to activate the ambidextrous magazine release. Catch the magazine with the non-shooting hand when it drops out.

FIGURE 10



Press the ambidextrous magazine release and remove the magazine.

1. If the magazine to be loaded is still in the pistol, press on the ambidextrous magazine release in order to eject it.
2. Load the cartridges, one by one, into the magazine. Place the cartridge on the front of the retaining lips and, with your thumb, push it downward against the force of the follower spring and rearward until it is in position (Figure 11, page 24).

The openings in the rear of the magazine allow you to estimate the number of cartridges present in the magazine.

FIGURE 11



Load cartridges one at a time into the magazine.

FIGURE 12



Insert the loaded magazine completely into the magazine well until it latches in place.

### 14.3. LOADING THE PISTOL

#### **▲WARNING**

**WHEN LOADING YOUR PISTOL ALWAYS KEEP THE MUZZLE POINTED IN A SAFE DIRECTION AND, IF SO EQUIPPED, PLACE THE MANUAL SAFETY LEVER IN THE ON SAFE POSITION. ALWAYS CLOSE THE SLIDE BEFORE INSERTING A LOADED MAGAZINE. KEEP YOUR FINGERS AWAY FROM THE TRIGGER. FAILURE TO FOLLOW THESE WARNINGS COULD RESULT IN SERIOUS INJURY OR DEATH.**

1. Before loading, ensure that the chamber of the pistol is empty, the pistol does not contain a magazine and that the slide is closed.
2. Insert the loaded magazine into the pistol, being certain that the magazine is pressed completely in and is being retained by the magazine latch (Figure 12).
3. With the muzzle pointed in a safe direction and your fingers away from the trigger, hold the pistol in your firing hand and pull the slide fully rearward with the other hand and release the slide, which returns under recoil spring force (Figure 13, page 25). This movement cocks the striker and moves the first cartridge from the magazine into the chamber. Allow the slide to “slam” forward under the force of the recoil spring. Do not ease it forward.

**▲WARNING**

**THE PISTOL IS NOW READY FOR FIRING. UNLESS SHOOTING IS IMMINENT, IF YOUR PISTOL IS SO EQUIPPED, IMMEDIATELY VERIFY THE MANUAL SAFETY LEVER IS IN THE ON SAFE POSITION AS DESCRIBED IN SECTION 8.1. FAILURE TO FOLLOW THESE WARNINGS COULD RESULT IN SERIOUS INJURY OR DEATH.**

## **15. FIRING**

### **15.1. FIRING THE PISTOL**

**▲WARNING**

**NEVER CHAMBER A CARTRIDGE UNLESS SHOOTING IS IMMINENT. ALWAYS KEEP THE MUZZLE POINTED IN A SAFE DIRECTION AND, IF SO EQUIPPED, PLACE THE MANUAL SAFETY LEVER IN THE ON SAFE POSITION. FAILURE TO FOLLOW THESE WARNINGS COULD RESULT IN SERIOUS INJURY OR DEATH.**

**DO NOT USE UNORTHODOX SIGHTING METHODS. WHEN FIRING, THE SLIDE MOVES REARWARD ABOUT ONE INCH PAST THE REAR OF THE FRAME. TO PREVENT THE SLIDE FROM CAUSING INJURY IN ITS REARWARD MOVEMENT WHEN SHOOTING KEEP THE PISTOL AWAY FROM THE EYES OR FACE, AND NEITHER HAND SHOULD BE IN A POSITION WHERE IT COULD BE HIT BY THE SLIDE. FAILURE TO FOLLOW THIS WARNING COULD RESULT IN SERIOUS INJURY.**

**FIGURE 13**



**Pull the slide completely rearward and release it, allowing it to move forward freely.**

1. Ensure that the procedures in Section 17.2. “Cleaning and Lubrication Before Firing” have been carried out.
2. Load a cartridge into the chamber as detailed in Section 14.3.
3. With a cartridge in the chamber and, if so equipped, the manual safety lever in the off safe position, you need only take aim at your target and squeeze the trigger to fire the pistol.
4. After a cartridge has been fired, the slide moves rearward, ejects the empty case, cocks the striker, then returns forward loading a cartridge from the magazine into the chamber. You may continue to fire the pistol until the magazine is empty by pulling the trigger to fire each cartridge.

When firing is no longer imminent, if your pistol is so equipped, immediately place the manual safety lever in the on safe position as described in Section 8.1.

After the last cartridge in the magazine is fired, the slide stop will engage the slide and automatically hold the slide in the open or rearward position (Figure 14).

If firing is no longer imminent and you are finished shooting, remove the magazine and close the slide by pushing down on the ambidextrous slide stop or pulling the slide rearward to disengage the slide stop and allow the slide to return to the forward position. If your pistol is so equipped, place the manual safety lever in the on safe position as described in Section 8.1.

For law enforcement and military personnel, refer to the procedures of your department on carrying a loaded firearm.

**FIGURE 14**



The slide locks to the rear after the last cartridge has been fired.

## 15.2. RELOADING DURING FIRING

### **WARNING**

**NEVER CHAMBER A CARTRIDGE UNLESS SHOOTING IS IMMINENT. ALWAYS KEEP THE MUZZLE POINTED IN A SAFE DIRECTION. MAKE SURE YOUR FINGERS ARE SAFELY AWAY FROM THE CHAMBER WHEN THE SLIDE IS RELEASED TO AVOID PINCHING THEM WHEN THE SLIDE CLOSES. FAILURE TO FOLLOW THESE WARNINGS COULD RESULT IN SERIOUS INJURY OR DEATH.**

After firing the last cartridge with the magazine inserted, the slide will remain in the open position. If firing is imminent, the empty magazine can quickly be replaced with a loaded magazine as follows:

1. Press on the ambidextrous magazine release to eject the empty magazine.
2. Insert a loaded magazine completely into the magazine well until it locks into position.
3. Release the slide by pulling rearward on the slide to disengage the slide stop. This will allow the slide to move forward and chamber a cartridge. You can also press down on the slide stop to allow the slide to move forward and chamber a cartridge. Note that when the slide closes that the pistol is loaded and ready to fire. You may now continue firing.
4. If firing is no longer imminent and you are finished shooting, remove the magazine and close the slide by pushing down on the ambidextrous slide stop or pulling the slide rearward to disengage the slide stop and allow the slide to return to the forward position.
5. If your pistol is so equipped, place the manual safety lever in the on safe position as described in Section 8.1.

For law enforcement and military personnel, refer to the procedures of your department on carrying a loaded firearm.

## 16. UNLOADING

### **▲WARNING**

**WHILE UNLOADING YOUR PISTOL ALWAYS KEEP THE MUZZLE POINTED IN A SAFE DIRECTION AND, IF SO EQUIPPED, PLACE THE MANUAL SAFETY LEVER IN THE ON SAFE POSITION AND KEEP YOUR FINGERS AWAY FROM THE TRIGGER. WHEN UNLOADING, IT IS VITAL THAT YOU REMOVE THE MAGAZINE FROM YOUR PISTOL SO THAT A CARTRIDGE IS NOT CHAMBERED WHEN YOU CLOSE THE SLIDE. FAILURE TO FOLLOW THESE WARNINGS COULD RESULT IN SERIOUS INJURY OR DEATH.**

### 16.1. UNLOADING THE PISTOL

1. If your pistol is so equipped, place the manual safety lever in the on safe position as described in Section 8.1.
2. Press the ambidextrous magazine release and remove the magazine. If the magazine does not drop out of the pistol, pull on the bottom plate while pressing the ambidextrous magazine release.
3. If the slide is closed, remove the magazine and then pull back on the slide and eject any cartridge in the chamber. Lock the slide to the rear by pressing the ambidextrous slide stop up as described in Section 9.
4. Inspect the chamber to ensure no cartridge is present. Remember that merely removing the magazine does not mean the chamber is unloaded.
5. When you are certain your pistol is completely unloaded, release the slide by pulling rearward on the slide to disengage the slide stop or press down on the slide stop to allow the slide to move forward slowly under your control.
6. If your pistol is so equipped, ensure the manual safety lever is in the on safe position as described in Section 8.1.
7. Unload the magazine as explained in Section 16.2.

## 16.2. UNLOADING THE MAGAZINE

1. Depress the ambidextrous magazine release and remove the magazine.
2. Unload the pistol and place it in a safe condition as detailed in Section 16.1.
3. Strip the cartridges from the magazine by pushing forward on the rim of the top cartridge and sliding each cartridge out, one at a time, as each moves up in the magazine until the magazine is empty. Repeat this procedure with all loaded magazines.

## 17. CLEANING AND LUBRICATION

### **▲WARNING**

**BEFORE PERFORMING CLEANING PROCEDURES, MAKE SURE THE PISTOL IS COMPLETELY UNLOADED (SECTION 16). ALWAYS KEEP THE MUZZLE POINTED IN A SAFE DIRECTION AND, IF SO EQUIPPED, PLACE THE MANUAL SAFETY LEVER IN THE ON SAFE POSITION. FAILURE TO FOLLOW THESE WARNINGS COULD RESULT IN SERIOUS INJURY OR DEATH.**

**WEAR EYE PROTECTION WHEN DISASSEMBLING, ASSEMBLING AND CLEANING YOUR PISTOL AND MAGAZINE TO PREVENT SPRING-LOADED PARTS, SOLVENTS OR OTHER AGENTS FROM CONTACTING YOUR EYES, RESULTING IN INJURY.**

**KEEP ALL AMMUNITION AWAY FROM THE CLEANING AREA. NEVER TEST THE MECHANICAL FUNCTION OF YOUR PISTOL WITH LIVE AMMUNITION. FAILURE TO FOLLOW THESE WARNINGS COULD RESULT IN SERIOUS INJURY OR DEATH.**

***NOTICE!* NEVER SOAK YOUR FIREARM IN HYDROCARBONS, AMMONIA, TRICHLOROETHYLENE OR TEFLON-BASED LUBRICANTS AS THEY CAN CAUSE DAMAGE TO YOUR PISTOL.**

Your pistol will function better and more reliably over a longer period of time if it is properly maintained and kept clean.

The frequency at which the pistol should be cleaned and lubricated depends on external factors such as the weather and shooting conditions as dirt and moisture can affect the functioning of even the finest firearm. Excessively dirty ammunition may require more frequent cleaning.

Clean and lubricate your pistol after every use or, in case of intensive shooting, every 500 rounds. A minimum cleaning includes wiping down the pistol and lubricating key parts. Most regular maintenance also includes disassembly and cleaning the barrel. If you encounter a problem, refer to the troubleshooting guide in Section 21.1 Troubleshooting Matrix.

It is important to keep your pistol clean and correctly lubricated, however, the polymer frame of the FNS pistol does not require lubrication.

**NOTICE! DO NOT USE TOO MUCH LUBRICANT. USING TOO MUCH LUBRICANT CAN INTERFERE WITH THE FUNCTION OF YOUR PISTOL.**

## 17.1. DISASSEMBLING THE PISTOL

It is very important to become familiar with the disassembly procedure of the pistol as disassembly is required during the cleaning and lubrication procedure which ensures reliable operation of the pistol.

1. Completely unload the pistol as described in Section 16.1. and remove the magazine. Inspect the chamber and the magazine well to verify that the pistol is completely unloaded.
2. Pull the slide fully rearward and lock it into its rear position by pressing the ambidextrous slide stop upward.
3. Rotate the takedown lever 90° clockwise (Figure 15).
4. While holding the slide with one hand, release the slide by pushing downward on the

FIGURE 15



Rotate the takedown lever downward.



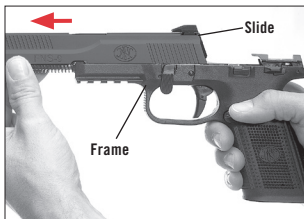
ambidextrous slide stop or pushing the slide slightly rearward. Be sure to have a firm grip on the slide as it is under pressure of the recoil spring.

**▲WARNING**

**THE PISTOL MUST BE COMPLETELY UNLOADED TO PERFORM STEP 5. AGAIN, ENSURE THE PISTOL IS COMPLETELY UNLOADED BY PULLING BACK THE SLIDE AND INSPECTING THE CHAMBER AND THE MAGAZINE WELL. FAILURE TO FOLLOW THIS WARNING COULD RESULT IN SERIOUS INJURY OR DEATH.**

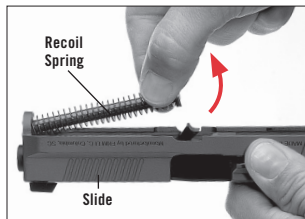
5. While keeping the rear of the slide and the rear of the frame in alignment, point the muzzle in a safe direction and squeeze the trigger to release the striker. The slide will move forward  $\frac{1}{4}$ " when properly released.
6. After releasing the striker you can remove the slide by forcefully pulling the slide forward away from the frame. (Figure 16). Extra force may be necessary to remove the slide from the frame. If the striker is inadvertently recocked, return to step 5.
7. Hold the slide upside down.
8. While gently compressing the recoil spring, release the rear from the barrel lug and then lift the spring up and out of the slide (Figure 17).

**FIGURE 16**



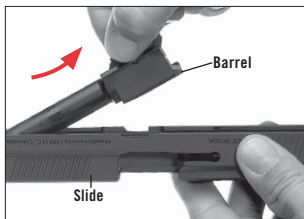
Move the slide forward and off of the frame.

**FIGURE 17**



Remove the recoil spring from the slide.

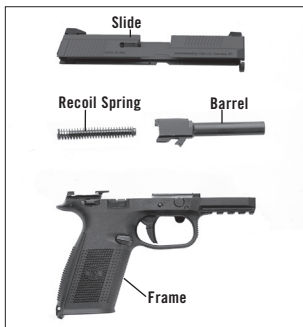
**FIGURE 18**



Remove the barrel from the slide.

9. Grip the barrel by its lug and then lift it up and out of the slide (Figure 18).

**FIGURE 19**



Do not disassemble the pistol beyond this point.

This level of disassembly (Figure 19) is sufficient to perform a thorough cleaning. Further disassembly should only be carried out by an authorized armorer or by the FN Product Service Center.

## **17.2. CLEANING AND LUBRICATION BEFORE FIRING**

The following procedure assumes that the pistol was correctly cleaned and lubricated the last time it had been used (Section 7).

1. Completely unload the pistol as described in Section 16.1.
2. Disassemble the pistol as described in Section 17.1.
3. Using the correct size cleaning rod, jag and patches, work them back and forth to remove any lubricant or debris from the inside of the barrel until patches come out clean.

***NOTICE!* BE CAREFUL NOT TO SCRATCH OR DAMAGE THE MUZZLE AS THIS CAN AFFECT ACCURACY. IT IS RECOMMENDED TO ONLY CLEAN THE BARREL FROM THE CHAMBER END.**

4. Remove the storage lubricant from the outside of the barrel and then from the slide, the recoil spring and the frame.
5. Lightly lubricate the outside of the barrel with lightweight gun oil.
6. Assemble the slide, barrel and recoil spring as described in Section 17.4.
7. Lightly lubricate all the moving surfaces with lightweight gun oil.
8. Reassemble the pistol as described in Section 17.4.

### **17.3. CLEANING AND LUBRICATION AFTER FIRING**

1. Completely unload the pistol as described in Section 16.1.
2. Disassemble the pistol as described in Section 17.1.
3. Using the cleaning brush or a spray, apply solvent inside the barrel and allow the product to penetrate for a few minutes.
4. Using the correct size cleaning rod, jag and patches, work them back and forth to remove the solvent from the inside of the barrel until patches come out clean.

***NOTICE!* BE CAREFUL NOT TO SCRATCH OR DAMAGE THE MUZZLE AS THIS CAN AFFECT ACCURACY. IT IS RECOMMENDED TO ONLY CLEAN THE BARREL FROM THE CHAMBER END.**

5. When the barrel is clean, again use a cleaning rod and patch, this time moistened with storage lubricant, to protect the inside of the barrel until the next use. Remember to wipe the inside of the barrel dry before shooting as detailed in Section 17.2.
6. Use a brush and solvent to remove carbon and deposits from the slide, chamber, extractor and areas that attract powder and primer residue.
7. Use a soft cloth or a rag, and solvent if necessary, to remove dirt from the magazine housing of the frame.

**▲WARNING**

**MOST SOLVENTS ARE HIGHLY FLAMMABLE. WEAR EYE PROTECTION AND PRACTICE APPROPRIATE SAFETY MEASURES WHEN WORKING WITH SOLVENTS TO AVOID SERIOUS INJURY.**

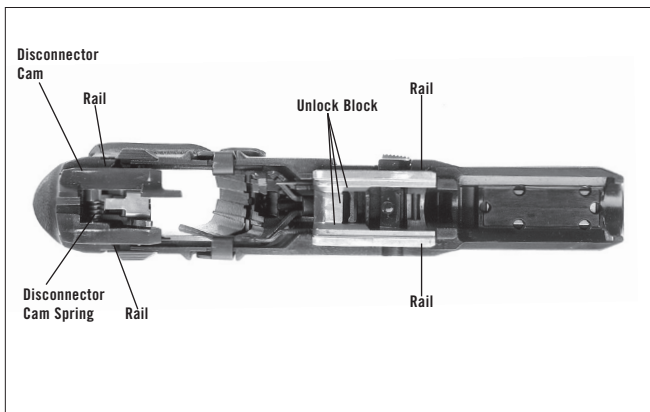
8. Thoroughly clean all of the parts of the pistol.
9. Check the disassembled parts of the pistol for signs of wear and/or damage. In case of doubt about the condition of a part, consult your dealer or departmental armorer.
10. Using a soft cloth moistened with storage lubricant, lightly apply lightweight gun oil to all the external surfaces of the metal parts. The polymer grip does not require lubrication.
11. Apply one drop of lubricant to the locations shown in Figure 20 and Figure 21 on page 35.
12. Assemble the slide, the barrel and the recoil spring.
13. Assemble the pistol as described in Section 17.4.
14. Clean the outside of the pistol in order to remove dirt, fingerprints and excess lubricant.

#### **17.4. ASSEMBLING THE PISTOL**

To assemble the pistol, follow the steps listed in Section 17.1. in reverse order, taking into account the following points:

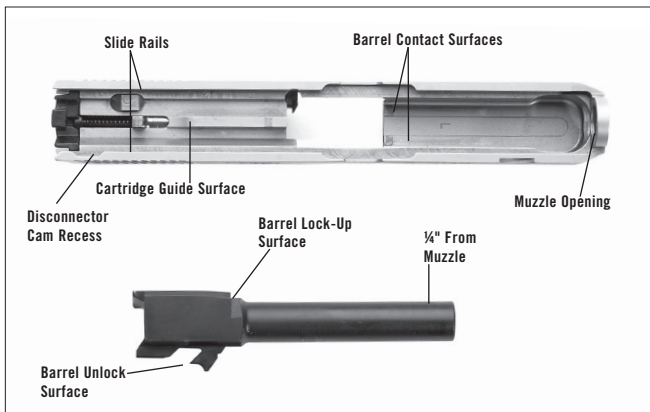
1. Insert the barrel into the slide and ensure the muzzle is oriented correctly.
2. Ensure that the front end of the recoil spring fits correctly into its position in the slide and that the rear end of the spring fits correctly onto the barrel lug.
3. Line up the rail grooves in the slide correctly with the guides on the frame and replace the slide on the frame.

**FIGURE 20**



Lubricate the frame at these locations.

**FIGURE 21**



Lubricate the slide and barrel at these locations.

**IMPORTANT:** Please note that the slide cannot be fitted onto the frame when a magazine has been inserted into the magazine well.

4. Pull the slide completely to the rear and lift up on the ambidextrous slide stop to lock the slide back.
5. Rotate the takedown lever 90° counterclockwise.
6. Pull the slide rearward to release the ambidextrous slide lock and ease the slide forward.
7. After reassembling the pistol, if your pistol is so equipped immediately place the manual safety lever in the on safe position as described in Section 8.1.

## 17.5. DISASSEMBLING THE MAGAZINE

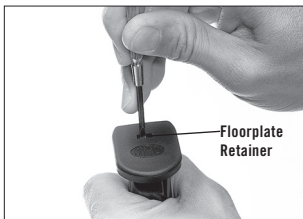


**WEAR EYE PROTECTION WHEN DISASSEMBLING, ASSEMBLING AND CLEANING YOUR PISTOL AND MAGAZINE TO PREVENT SPRING-LOADED PARTS, SOLVENTS OR OTHER AGENTS FROM CONTACTING YOUR EYES, RESULTING IN INJURY.**

Disassembling the magazine takes only a few seconds and should be a part of the pistol's normal maintenance.

1. If not already done, press the ambidextrous magazine release in order to eject the magazine from the pistol and unload it completely (refer to Section 16.2.).
2. Using a tool such as a small screwdriver, press on the protruding part of the magazine retainer through the hole in the floorplate (Figure 22, page 37). Hold the retainer in that position and then slide the floorplate slightly forward (Figure 23, page 37).
3. While holding the retainer (which is subjected to the force of the magazine spring) in position, slide the floor plate off the magazine body and then carefully release the magazine spring which is under pressure.

**FIGURE 22**



Use a small instrument to press the floorplate retainer.

**FIGURE 23**



Slide the floorplate forward partially and secure the magazine spring with your thumb.

4. Remove the magazine spring together with the follower and retainer.

This level of disassembly is sufficient to perform a thorough magazine cleaning (Figure 24). Further disassembly should only be carried out by an authorized armorer or by the FN Product Service Center.

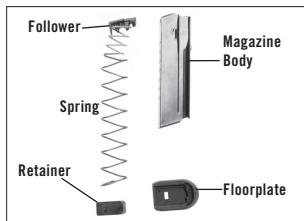
### **17.6. CLEANING AND LUBRICATION OF THE MAGAZINE**

1. Disassemble the magazine as described in Section 17.5.
2. Use a soft cloth or rag to clean all the parts of the magazine.
3. Using a soft cloth moistened with lubricant, lightly apply lubricant to all the external surfaces of the metal parts. Wipe off excess lubricant. Ensure that the inside of the magazine is dry.
4. Reassemble the magazine as detailed in Section 17.7.

### **17.7. ASSEMBLING THE MAGAZINE**

1. With the components of the magazine clean, ensure that the magazine follower fits correctly onto the follower spring and that the assembly is oriented correctly.

**FIGURE 24**



The magazine shown disassembled.

2. Insert the magazine spring, together with the follower into the magazine body.
3. While holding the magazine spring in the magazine body, depress the magazine spring with the magazine floor plate retainer and slide the magazine floorplate onto the magazine body. The magazine floorplate can only be slid back into position when the magazine floorplate retainer is pushed far enough into the magazine body.
4. Ensure that the floor plate correctly locks into position.

## **18. TAKING CARE OF THE PISTOL**

***NOTICE!* NEVER ATTEMPT TO TAKE YOUR PISTOL APART FURTHER THAN EXPLAINED IN THIS OWNER'S MANUAL. YOUR PISTOL IS A SPECIALIZED, FINELY FITTED MECHANISM. YOU MAY PERMANENTLY DAMAGE IT BY ATTEMPTING TO DISASSEMBLE THE INNER MECHANISM ASSEMBLIES. IF FURTHER DISASSEMBLY FOR SERVICE OR CLEANING IS REQUIRED, TAKE YOUR FIREARM TO A QUALIFIED GUNSMITH, OR SEND IT TO OUR COLUMBIA, SC SERVICE FACILITY AS EXPLAINED IN SECTION 22 UNDER "WARRANTY, SERVICE AND TECHNICAL QUESTIONS."**

***NOTICE!* YOUR PISTOL SHOULD BE INSPECTED EVERY 2000 ROUNDS AND/OR ONCE A YEAR BY A QUALIFIED GUNSMITH OR THE FN PRODUCT SERVICE CENTER BECAUSE DAMAGE, WEAR AND CORROSION ARE NOT ALWAYS VISIBLE FROM THE OUTSIDE. LAW ENFORCEMENT AND MILITARY PERSONNEL SHOULD CONTACT THEIR DEPARTMENTAL ARMORER WHO WILL INSPECT THE PISTOL ON A YEARLY BASIS.**

***NOTICE!* IF THE OPERATION OF THE PISTOL GIVES ANY INDICATION THAT IT IS NOT PERFORMING PROPERLY, SUCH AS "SOUNDING DIFFERENT" OR "FEELING DIFFERENT" OR ANY OTHER PERCEIVED CHANGES IN OPERATION, STOP FIRING IMMEDIATELY, POINT THE**



## PISTOL IN A SAFE DIRECTION, UNLOAD THE PISTOL, AND REFER TO THE TROUBLESHOOTING GUIDE FOUND IN SECTION 21.1

- Always keep the pistol in immaculate condition and good working order.
- Always clean and lubricate the pistol after use.
- Regularly inspect the pistol, its parts and accessories.

## 19. ACCESSORIES

### 19.1. INTERCHANGEABLE BACKSTRAPS

#### **▲WARNING**

**BEFORE CHANGING BACKSTRAPS, MAKE SURE THE PISTOL IS COMPLETELY UNLOADED (SECTION 16). ALWAYS KEEP THE MUZZLE POINTED IN A SAFE DIRECTION AND, IF SO EQUIPPED PLACE THE MANUAL SAFETY IN THE ON SAFE POSITION. FAILURE TO FOLLOW THESE WARNINGS COULD RESULT IN SERIOUS INJURY OR DEATH.**

In order to optimize grip on the pistol as a function of the ergonomics of the shooter, two backstraps, (flat and arched) may be supplied (Figure 25). One backstrap is installed on the pistol at the factory. The backstrap can be replaced on the FNS and FNS Longslide as follows:

1. Insert a 1/16" punch or other small instrument into the hole in the backstrap and gently push inward to release the backstrap retainer (Figure 26, page 40).
2. Maintain light pressure on the punch and slide the backstrap downward, off the grip (Figure 27, page 40).

FIGURE 25



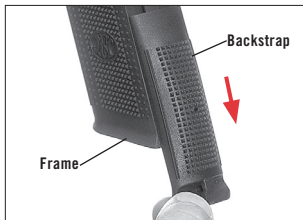
Two accessory backstraps shown.

**FIGURE 26**



Use a small instrument to press the backstrap retainer.

**FIGURE 27**



Slide the backstrap down and off of the frame.

3. Install the desired backstrap by sliding it up the rail. It will snap into place.

On the FNS Compact pistol the backstrap can be replaced as follows:

1. Remove the backstrap retaining pin using a  $\frac{1}{16}$ " punch.
2. Slide the backstrap downward, off the grip.
3. Install the desired backstrap by sliding it up the rail.
4. Reinstall the backstrap retaining pin.

## **19.2. ACCESSORY RAIL**

The frame of the FNS features a rail on which accessories, such as a laser sight or flashlight, can be installed. Follow the instructions included with the accessory when mounting it to your pistol.

## **20. SIGHTING**

The sights are factory set for a combat hold (point of aim equals point of impact) at 20 yards. This may vary slightly with different types of ammunition.

Do not try to adjust the sights yourself. Send the pistol to the FN Product Service Center, your departmental armorer or a qualified gunsmith for this adjustment.

## 21. TROUBLESHOOTING

If a problem cannot be solved by the few directives given below, the pistol should not be used and should be examined by your dealer, a qualified gunsmith or departmental armorer.

- **The cartridge is not chambered.**  
The magazine has not been inserted correctly, is dirty or damaged.  
Improper ammunition is used.  
The magazine has not been loaded correctly.
- **The slide does not close properly.**  
See above.  
Pistol is dirty or excessively lubricated.
- **The empty case jams in the chamber or at the ejection port.**  
Insufficient recoil due to the pistol being dirty.  
The ammunition gives insufficient recoil force.  
Pistol is inadequately lubricated.  
Pistol is dirty or too heavily lubricated.
- **Striker releases but no discharge.**  
Defective cartridge.  
Hard primers.

## 21.1 TROUBLESHOOTING MATRIX

MALFUNCTION	CAUSE
<p><b>FAILURE TO FEED</b> (No round fed into chamber)</p>	Magazine not inserted correctly
	Magazine not loaded correctly
	Incorrect ammunition used
	Magazine dirty
	Magazine damaged
	<p>If problem persists despite the above, the pistol requires service</p>
<p><b>FAILURE TO CHAMBER</b> (Slide does not close completely)</p>	Pistol or ammunition is dirty
	Pistol is excessively lubricated
	Incorrect ammunition
	<p>If problem persists despite the above, the pistol requires service</p>
<p><b>FAILURE TO FIRE</b> (Round does not fire)</p>	Striker obstructed
	Faulty ammunition
	<p>If problem persists despite the above, the pistol requires service</p>
<p><b>FAILURE TO EXTRACT</b> (Empty casing jams in the chamber or ejection port)</p>	Insufficient recoil due to dirt
	Low-powered ammunition
	Pistol is inadequately lubricated
	Pistol is dirty
	Pistol is excessively lubricated
	<p>If problem persists despite the above, the pistol requires service</p>

	<b>CORRECTION</b>
	Insert magazine properly
	Load magazine correctly
	Load with correct ammunition
	Clean magazine
	Replace magazine
	Return to FN America or send to qualified gunsmith for service
	Clean and lubricate pistol and/or replace ammunition
	Remove excess lubrication
	Use correct ammunition
	Return to FN America or send to qualified gunsmith for service
	Inspect, clean, and lubricate pistol
	Replace ammunition
	Return to FN America or send to qualified gunsmith for service
	Clean and lubricate pistol
	Replace ammunition
	Lubricate pistol
	Clean and lubricate pistol
	Remove excess lubrication
	Return to FN America or send to qualified gunsmith for service

## **22. WARRANTY, SERVICE AND TECHNICAL QUESTIONS**

For technical questions about service or your firearm, or if your FN product should require service or repair contact the FN Product Service Center in Columbia, SC. Law enforcement and military users should contact their department or unit armorer.

FN Product Service Center  
797 Old Clemson road  
Columbia, SC 29229  
Phone (855) 536-4872

When returning your FN firearm for servicing you must do the following:

1. Be sure it is completely unloaded. Never return ammunition with your firearm.
2. Remove the scope, optics or accessories.
3. Package it securely in a cardboard container.
4. Enclose the service/repair form available at [www.fnamerica.com](http://www.fnamerica.com) or a letter that clearly describes the trouble experienced, the ammunition used and the repairs desired. Also include your name, e-mail address (if available) and a daytime phone number where you can be reached.
5. If convenient, send a copy of the service/repair form or letter to us separately.
6. Never use the U.S. Postal Service to ship firearms or ammunition. Federal law prohibits the general public from mailing firearms and prohibits anyone from mailing ammunition. Contact a commercial common carrier or a licensed firearms dealer for shipping assistance.

## **23. SERVICE POLICY**

If you have any questions about this owner's manual or other FN products, contact:

FN Product Service Center  
797 Old Clemson road  
Columbia, SC 29229  
Phone (855) 536-4872

Or visit us online at [www.fnamerica.com](http://www.fnamerica.com)

**IF YOU DO NOT UNDERSTAND THE INSTRUCTIONS FOR OPERATING YOUR FN FIREARM, IT IS YOUR RESPONSIBILITY TO CONTACT FN CUSTOMER SUPPORT AT (855) 536-4872 BEFORE USING THE FIREARM.**

This owner's manual should always accompany this pistol and be transferred with it upon any change of ownership.

FN products are serviced by the FN Product Service Center in Columbia, SC. Please call (855) 536-4872 to discuss any product repair requirements.

All specifications subject to change without notice.

## 24. TECHNICAL SPECIFICATIONS

	<b>FNS-9</b>	<b>FNS-9 LONGSLIDE</b>	<b>FNS-9 COMPACT</b>
Caliber	9mm Parabellum	9mm Parabellum	9mm Parabellum
Length (in.)	7.25	8.25	6.7
Height (in.)	5.5	5.5	5.2
Width (in.)	1.35	1.35	1.35
Sight Radius (in.)	5.9	6.9	5.6
Barrel Length (in.)	4.0	5.0	3.6
Twist Rate (in.)	1:10 RH	1:10 RH	1:10 RH
Weight w/ Empty Magazine (oz.)	25.2	26.5	23.4
Magazine Capacity			
Standard	17	17	12
Optional	10	10	10/17
Trigger Pull (lbs.)	5.5 - 7.7	5.5 - 7.7	5.5 - 7.7



	<b>FNS-40</b>	<b>FNS-40 LONGSLIDE</b>	<b>FNS-40 COMPACT</b>
Caliber	40 S&W	40 S&W	40 S&W
Length (in.)	7.25	8.25	6.7
Height (in.)	5.5	5.5	5.2
Width (in.)	1.35	1.35	1.35
Sight Radius (in.)	5.9	6.9	5.6
Barrel Length (in.)	4.0	5.0	3.6
Twist Rate (in.)	1:16 RH	1:16 RH	1:16 RH
Weight w/ Empty Magazine (oz.)	27.5	29.7	25.8
Magazine Capacity			
Standard	14	14	10
Optional	10	10	10/14
Trigger Pull (lbs.)	5.5 - 7.7	5.5 - 7.7	5.5 - 7.7

All specifications subject to change without notice.

## NOTES

## NOTES



[WWW.FNAMERICA.COM](http://WWW.FNAMERICA.COM)