



CZ 600

INSTRUCTION MANUAL
MANUAL DE INSTRUCCIONES
NÁVOD NA POUŽITÍ
BEDIENUNGSANLEITUNG
MODE D'EMPLOI

Before handling the firearm read this manual carefully and observe the following safety instructions.

Improper and careless handling of the firearm could result in accidental discharge and cause injury, death or damage to property. The same repercussions can be caused by unauthorized modifications or adjustments, corrosion, or use of non-standard or damaged ammunition. In these cases, the manufacturer shall not be held responsible in any manner whatsoever for the resulting consequences.

Before leaving the factory, the firearm was tested, inspected and packaged in accordance with company policy. Ceska zbrojovka a.s. and CZ-USA cannot accept responsibility for product handling while in transit after dispatch from the factory. Therefore, examine the firearm carefully upon receipt to ensure that it is unloaded and undamaged.

Please, remember to read the warranty terms at our website www.czub.cz, or www.CZ-USA.com if you are a US resident. If a malfunction occurs, contact the nearest dealer.

This instruction manual should always accompany the firearm in the event of loan or further sale.

CONTENTS

SAFETY INSTRUCTIONS	2
THE RIFLE DESCRIPTION AND TERMINOLOGY	4
OPERATING INSTRUCTIONS	6
MAINTENANCE INSTRUCTIONS	13
PARTS LIST	22
TROUBLESHOOTING	23
LIST OF ILLUSTRATIONS	25
CONTENT	25

SAFETY INSTRUCTIONS

Always follow the safety instructions for your safety and the safety of others.

1. Always handle your firearm as if it was loaded.
2. Never point the firearm at anything you do not intend to shoot at. Never point a firearm at anybody, not even for fun.
3. Never take anyone's word that the firearm is unloaded.
4. Always make sure that your firearm is not loaded before laying it down or handing it over to another person.
5. Always store the firearm unloaded with the striking mechanism released.
6. Never abuse the firearm by using it for any purposes other than shooting.
7. Never leave a firearm unattended.
8. Prior to loading the firearm ensure the barrel, chamber and action are clean and clear of obstructions. If the firearm becomes excessively dirty during firing clean it immediately. Always clean the firearm after use.
9. Do not shoot the firearm, unless you are certain about the ammunition you are using. Do not use unmarked or hand-loaded ammunition from an unknown source, ammunition with a cracked, deformed or dented case or with a damaged bullet. Reloading is an expert activity and incorrectly reloaded ammunition may be extremely dangerous. It may result in severe damage or destruction of the firearm and serious injury or death of the shooter or other persons. Always use clean and dry original high quality commercially manufactured ammunition, which corresponds to the caliber of the firearm.
10. Never drink alcohol or take drugs before and during shooting.
11. Always wear safety glasses and ear protection while shooting.

INSTRUCTION MANUAL

12. Always keep the safety on when the firearm is loaded with a cartridge in the chamber until you are ready to fire. Keep the firearm pointed in a safe direction when disengaging the safety.
13. Always keep the ejection port clear of obstructions and people.
14. Never pull the trigger or put your finger within the trigger guard unless you are aiming at a target and ready to fire.
15. Always make absolutely sure of your target and the area behind it before pulling the trigger. The bullet can pass through or past the target up to several hundred meters.
16. Never shoot at a hard surface such as rock, or a liquid surface such as water.
17. Never fire near an animal unless it is trained to withstand the noise.
18. Never indulge in "horseplay" while holding the firearm.
19. Failure to fire: In case it fails to fire, hold the firearm pointed in a safe direction and wait 30 seconds. If a hangfire (slow ignition) has occurred, the cartridge will fire within 30 seconds. If the cartridge does not fire, eject the cartridge and examine it. If the firing pin indent on the cartridge is light or non-existent, have the firearm examined by a competent gunsmith.
20. Always make sure your firearm is not loaded before cleaning, storing or travelling. Remove any unused ammunition from the firearm and store it in compliance with the law.
21. Always keep and store your firearm and ammunition in separate secure locations out of reach and sight of children and unauthorized persons. Always protect the ammunition from sources of heat and open fire.
22. Never alter any parts of your firearm; the safety and proper function of your firearm could be seriously affected.
23. Always be aware that corrosion, use of damaged ammunition, dropping the firearm on hard surfaces or other "rough treatment" can cause damage that is not necessarily obvious at first sight. If something like this happens, have the firearm examined and tested by a competent gunsmith.

THE RIFLE DESCRIPTION AND TERMINOLOGY

Nomenclatures of all parts of the firearm are presented in the section List of Parts.

The CZ 600 is a bolt action repeating rifle with a rotating and sliding bolt, whose lugs lock into the barrel. The bolt is fitted with a spring-loaded extractor and semi-fixed ejector. The firing mechanism comprises a linear striker mounted inside the bolt. The bolt guide in the trigger mechanism combines the function of ejector stop, bolt stop, and bolt catch. The trigger mechanism is attached to the receiver as a replaceable assembly and includes the safety mechanism. The trigger mechanism is partially or fully adjustable, depending on the configuration. Trigger pull can be set without removing the stock. Depending on the model, the safety mechanism comprises a positive vertical safety, and may include a decocking mechanism, locking is carried out either by inserting an obstacle in front of the trigger or by means of a system releasing the main spring (decocking). The feeding mechanism uses detachable magazines. Mounting of the action into the stock is made with two connecting screws and a stock insert.

- The rifle is well-balanced, quick and easy to aim.
- Easy mounting of optics.
- Controls that are simple in operation and easy to reach.
- A cocking indicator that shows the position and status of the striking mechanism.
- Easy stripping for cleaning and routine maintenance, which can be carried out without tools.
- An accuracy guarantee of 1MOA at 100m with selected factory ammunition (in selected models).
- High functional reliability in all environments, even with ammunition made by various manufacturers, and with different types of bullets.
- A threaded barrel for compensator or noise suppressor attachment (available on special request only and in territories where permitted by legislation).
- A trigger with four pre-set weights that can be adjusted without removing the stock.
- An ergonomically positioned safety with silent operation.

- Possibility of securing the magazine against falling out and loss.
- A double stack, double-row feed magazine.
- An anticorrosion surface treatment of the entire rifle.
- Controlled feeding improving the firearm reliability even in hazardous situations.

OPERATING INSTRUCTIONS

Ammunition

Always use ammunition which is in compliance with standards applicable for ammunition manufacturers and is approved by the CIP (Permanent International Commission for Firearms Testing) or SAAMI (Sporting Arms and Ammunition Manufacturers' Institute Inc. of the United States). The use of other cartridges could damage the firearm or cause injury to the shooter. Firearms produced by Ceska zbrojovka a.s. or CZ-USA are safe when using factory made ammunition with standard muzzle velocities. Check the ammunition you are going to use to make sure that it corresponds to the caliber of your firearm. Commercially produced ammunition is clearly marked with the caliber on the bottom or around the bottom of each cartridge case. The manufacturer of the firearm does not recommend excessive dry firing (firing without ammunition). It is advisable to use snap caps for dry fire training as they are intended for this purpose.

Inserting the bolt

When inserting the bolt into the firearm, take special care to prevent aesthetic damage.

Push the bolt release and insert the bolt with cocked firing mechanism one third of its length into the receiver. Release the bolt catch and slightly rotate the bolt in both directions until you hear a loud click to lock it in its guide. When the bolt is locked in the guide, it can only be rotated and locked in its forwardmost position. If incorrect handling of the disassembled bolt results in the striker being released (the striker nut is not in line with the bolt guide slot and the striker protrudes out of its hole in the bolt head face, Fig. 2, page II) prior insertion to the rifle, it can be recocked according to the steps described on page 15, item 4. Do not attempt to insert a bolt with released striker into the receiver as this may result in aesthetic damage to the receiver.

Loading of the Rifle

ALWAYS MAKE SURE THE RIFLE IS POINTED IN A SAFE DIRECTION AND FINGERS OUT OF THE TRIGGER GUARD WHEN LOADING!

Open the bolt by raising the bolt handle and pulling it to its rearmost position. Remove the magazine (NOTE: The magazine can be loaded while inserted in the rifle). Place a cartridge on the follower and press it downward into the magazine box until it snaps behind the feedlips. Place the next cartridge on top of the previous one and push in as described above. When the magazine is loaded, insert it in the magazine well with front side slightly tilted downward. Then first push the rear part of the magazine into the magazine well and then the front part. The magazine is correctly seated once audible click is heard (fig. 1, page II).

To activate magazine lock to prevent it from accidental release, slide magazine release button forward in the direction of fire (white tab appears under the button). To unlock the magazine again, slide the magazine release button rearwards (fig. 1, page III).

Push the bolt firmly to its forward position and rotate the bolt handle in a downward movement to close the bolt. This procedure inserts a cartridge into the chamber and cocks the striking mechanism. The rifle is now ready to fire. If you do not intend to fire immediately, ensure the safety of the firearm is applied as described further in the section *The Safety and its Operation*.

Trail Model Magazines

The magazine for cal. 223 Rem. is fully compatible with the Magpul® P-MAG® magazine. The magazine for cal. 7.62x39 is CZ MAG for CZ BREN 2 semiautomatic centerfire rifles and assault rifles.

Note: Loading, reloading, or unloading performed with the firearm standing on or being pressed against its magazine can reduce smoothness of bolt operation and cartridge feeding in the chamber.

The Trail models do not feature the magazine lock.

The Safety and its Operation

The rifle is secured by pushing the safety button up from the bottom side of the stock neck (Fig. 4, page II). While the safety is activated, the bolt is locked in the closed position. A white collar is visible on the top part of the safety button. Pressing the bolt release located at the rear right part of the receiver (Fig. 3 center, page II) will still allow the bolt to be opened and/or removed from the rifle. The safety is disengaged by pressing the safety button on the top of the stock's pistol grip downwards (Fig. 3 left, page II). The safety cannot be engaged until the striker is cocked.

Trail Model Safety Operation

The Trail model of the rifle is not fitted with the vertical safety, but with a BREN 2 style safety on both sides of the stock/chassis. Securing the firearm is performed by turning the rotating lever into its horizontal position (lever pointing to "S", Fig. 13, page IV). Subsequent functions are identical to the previous type of safety. The safety is disengaged by turning the rotating control to its slanting position (lever pointing to "F", Fig. 17, page IV). If the safety is engaged, the bolt can be only opened or removed by pushing the bolt release on the rear right side of the receiver (fig. 17, page IV). The safety cannot be engaged until the striker is cocked.

The CZ 600 rifles can be fitted with a manual cocking and decocking system. If the rifle is equipped with this function, decocking or cocking can be performed by pressing the cocking button at the rear of the bolt. When decocked, the firearm is unable to fire. Pressing the bolt release will allow the bolt to be opened and/or removed.

Cocking Indicator Operation

The cocking indicator is located on the rear of the bolt. While the striker is cocked, the red flag of cocking indicator protrudes from the rear of the bolt. Once the striker is released, the red flag disappears.

Unloading of the Rifle

ALWAYS MAKE SURE THE RIFLE IS POINTED IN A SAFE DIRECTION AND WITH YOUR FINGER OUTSIDE THE TRIGGER GUARD!

1. Press the magazine button and remove the magazine.
2. Open the bolt and pull it to its rearmost position to extract and eject any loaded cartridges. If the safety is engaged, push the bolt release button to open the bolt.
3. Visually inspect the chamber to make sure that it is empty.
4. Close the bolt.
5. If the safety is engaged, disengage it and pull the trigger (dry fire).

NOTE: THE RIFLE FEATURES CONTROL FEEDING SYSTEM WITH SPRING-LOADED EJECTOR. TO ENSURE PROPER CARTRIDGE EJECTION, ALWAYS MOVE THE BOLT VIGOROUSLY TO ITS REARMOST POSITION.

Trigger Pull Adjustment

In order to facilitate trigger pull adjustments, the trigger is provided with a dial with 4 positions (Fig. 5, page II, for Trail model see fig. 15 A, page IV). Trigger pull can be adjusted by turning the dial using 1.5mm hex wrench (included in the package). The white marks on the dial correspond to the trigger pull weights stated in the table below. The dial will snap into position with audible click at each weight setting.

Position	One-stage trigger	Two-stage trigger
•	6,5±1 N	9±1 N
••	9±1 N	11,5±1 N
•••	11,5±1 N	14±1 N
••••	14±1 N	16,5±1 N

Adjusting the First Stage of Two-stage Trigger

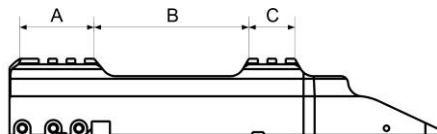
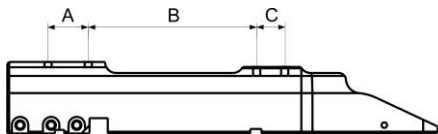
In addition to adjusting the trigger pull, the two-stage trigger (which is standard trigger used in the Trail model) can also be adjusted for the length of travel of the first stage. This adjustment is done by 1.5mm hex wrench (included in the package), which is inserted in the screw in the trigger blade (Fig. 15 B, page IV). Loosening the screw increases the length of travel, while tightening the screw reduces the length of travel. If the screw is completely tightened, the first stage is disabled, and the trigger functions as a single stage trigger only.

Mounting Interfaces

The standard receivers are equipped with a Remington 700 style scope mount screw pattern. The railed receivers are equipped with a MIL-STD-1913-style rail compatible with most Weaver and MIL-STD-1913 accessories.

Mounting interfaces according to caliber groups

	Remington 700			Weaver		
	A	B	C	A	B	C
Group I	21,84 mm	77,3 mm	15,24 mm	34,6 mm	64,8 mm	23,2 mm
Group II	21,84 mm	92,2 mm	15,24 mm	39,9 mm	84,7 mm	25,2 mm
Group III	21,84 mm	113,9 mm	15,24 mm	43,7 mm	89,9 mm	29,2 mm



Trail model mounting interface

The mounting rail used with this model on the top section of the receiver and the forend is a full Picatinny (according to MIL-STD-1913).

Trail version compatibility with M-LOK®

Although the Trail version forend is fitted with M-LOK® slots, it may not be fully compatible with all accessories available in the market. In some cases, it will be necessary to shorten screws of such accessories due to the smaller space between the barrel and forend.

MAINTENANCE INSTRUCTIONS

WARNING: ALWAYS WEAR EYE PROTECTION WHEN DISASSEMBLING THE RIFLE

Stripping for Cleaning - Disassembly

1. Point rifle in a safe direction with fingers outside the trigger guard.
2. Press the magazine catch and remove the magazine.
3. Open the bolt, push the bolt catch (Fig. 3, page II) and remove the bolt from the firearm.

CAUTION: Do not strip your firearm any further. If your firearm requires adjustment or repair, entrust this work to a competent gunsmith in a specialized workshop!

Cleaning the Rifle

Make sure the rifle is fully unloaded prior to cleaning the rifle.

You should clean the rifle.

- Each time you use it.
- If you get your rifle wet.
- As soon as possible after shooting.
- At least once a year in a temperate climate.
- As often as once a month in a tropical climate, or other demanding environments.

Cleaning the Barrel and the Chamber

CAUTION: ALWAYS PERFORM STEPS DESCRIBED IN CHAPTER STRIPPING FOR CLEANING – DISASSEMBLY PRIOR TO CLEANING ANY PART OF THE FIREARM!

If the firearm has not been fired or if only a few cartridges have been fired clean the barrel and cartridge chamber with a clean patch attached to the cleaning rod. Repeat the cleaning, changing patches, until the last patch comes out clean. When the barrel is very dirty, apply a gun cleaning solution using cleaning brush. Let the solvent act for about 10 minutes (this time may vary depending on the solvent agent being used). Then thoroughly scrub out the barrel. Subsequently, dry the barrel and cartridge chamber with a clean patch and check that all powder residues, or fouling have been removed. If necessary, repeat this procedure.

The cleaning rod and the brush must be inserted into the barrel from the chamber to prevent wear or damage to the muzzle. Pass the brush all the way through the barrel before reversing direction. If you try to change directions with the brush in the barrel, the brush could stick.

Cleaning of Other Rifle Parts

Other parts of the rifle can be cleaned with a dry cloth, old toothbrush, copper bristle brush or a wooden scraper. Preserving oil or paraffin oil can be used for proper cleaning. Never use bore cleaning agents on other parts of the firearm! These solutions could remain in the joints, and after some time could cause corrosion. Check that cloth particles or brush bristles have not become lodged in any part of the rifle.

Disassembly of the Bolt

WARNING: ALWAYS WEAR EYE PROTECTION WHEN DISASSEMBLING THE RIFLE

CAUTION: PERFORM THIS OPERATION ONLY IN CASE THE RIFLE HAS BEEN SHOT HEAVILY (HUNDREDS TO THOUSANDS OF SHOTS). THIS OPERATION IS NOT NECESSARY FOR STANDARD MAINTENANCE.

1. Point the rifle into safe direction with fingers outside the trigger guard.
2. Press the magazine button and remove the magazine.
3. Push the bolt release (Fig. 3, page II) and remove the bolt from the rifle.
4. Turn the bolt cap towards the open lock pictogram (Fig. 6, page II) to release the striker assembly and to remove it from the bolt.
5. Push the ejector button forward in the direction of fire to release the bolt head, and pull it down from the bolt body (Fig. 7, page III).
6. Clean the disassembled bolt of any dust, contamination, or fouling.

Reassemble the bolt by following the disassembly steps in reverse order:

1. Slide the bolt head onto the bolt body and lock it into place by pushing the ejector button forward. Make sure the bolt head is locked in proper position by attempting to slide it back down.
2. Put the striker assembly into the bolt body the way that the bottom of the striker nut aims at the dot marked on the bolt body's lip (fig. 10, page III).
3. Press on the plastic bolt cap to overcome the significant force of the main spring and turn it in the direction of the pictogram of a locked lock (Fig. 10, page III). The correct mutual position of all bolt components can be recognized by that the bolt guide slot is aligned with the striker nut.
4. If incorrect handling of the disassembled bolt results in the striker being released (the striker nut is not in line with the bolt guide slot and the striker protrudes out of its hole in the bolt head face), it can be recocked either by hand

or by inserting the bolt in the receiver backwards (i. e. with the striker first Fig.12, page III) and by turning the bolt handle clockwise. Make sure to hold both the bolt and the rifle firmly in their positions to avoid the bolt slipping out of its position and subsequent aesthetic damage to the receiver. Then, check for correct position of the bolt guide slot being in line with the striker nut (Fig. 2, page II).

Expert disassembly beyond routine maintenance

The firearm must not be disassembled any further than stated in this user manual. Disassembly of the firearm beyond the scope of this manual may only be performed by a professional gunsmith or an authorized CZ gunsmith in your country. In the event of a malfunction, do not attempt to repair the firearm yourself, entrust the repair to a professional gunsmith or authorized CZ service center in your country.

Stocks

The Lux model stock is made of oiled walnut wood with a Schnabel tip made of laminated wood. This stock features integrated sling swivels.

The Alpha and Ergo models stocks are made of glass fiber reinforced polymer with interchangeable polymer grips. The stocks are provided with studs, which can be used for installation of a sling via Trigatti swivels or bipod. These stocks can also be fitted with spacers or exchangeable cheekpieces of various heights. Installation of the additional cheekpiece requires removing of the rubber butt pad by unscrewing a hidden screw inside the butt pad, then the cheekpiece can be slid on the rear section of the stock, and then reattaching of the rubber butt pad.

The Range model stock is made of varnished laminated wood. It includes studs, which can be used for installation of a sling via Trigatti swivels or bipod, and QD cups for attaching sling with QD swivels on both sides of the forend and the buttstock. The bottom side of the buttstock contains a short Picatinny rail for monopod installation. It is fitted with an adjustable cheekpiece. To adjust its height, loose the latch on the right side of the buttstock (turning counterclockwise) and by extending the cheekplate to the required height. Then tighten the latch again (by turning it clockwise), securing the cheekplate in the required position. Removing the bolt out of the rifle requires setting the cheekpiece to the fully retracted position.

The Trail model chassis is made of glass fiber reinforced polymer. It features a QD cup for a QD sling swivel on the bottom side of the shoulder stock.

Barrel type	Alpha stock	Lux stock	Ergo stock	Range stock	Trail chassis
American (thin-walled) barrel	X	X	X	X	X
Semi-heavy barrel	X		X	X	X
Varmint (heavy) barrel	X		X	X	

Stock replacement

WARNING: ALWAYS WEAR EYE PROTECTION WHEN DISASSEMBLING THE RIFLE

CAUTION: STOCKS CAN BE CHANGED ONLY WITHIN THE CORRESPONDING RECEIVER SIZE. TRAIL MODEL CHASSIS AND ACTION ARE INCOMPATIBLE WITH THE REST OF CZ 600 MODELS.

1. Point the rifle into safe direction with fingers outside the trigger guard.
2. Press the magazine catch and remove the magazine.
3. Push the bolt catch (Fig. 3, page II) and remove the bolt from the rifle.
4. Set the safety to ON position (fig. 4, page II).
5. Unscrew the action screws (S1) with Torx 25 driver and remove them from the stock.
6. Remove magazine catch assembly and trigger guard (if not part of the stock) from the stock.
7. Remove the stock from the action.
8. Make sure the safety is still in ON position.
9. Seat the new stock on the action and make sure it fits properly and that the forend does not touch the barrel from either side.
10. Reinsert magazine catch assembly and trigger guard (if not part of the stock) into the stock.
11. Reinsert the action screws (S1) into the stock with the shorter one going forward into the magazine release assembly.
12. Screw in the action screws (S1) gently by Torx 25 driver.
13. Tighten the action screws (S1) with Torx 25 torque wrench for 5 Nm (44in-lbs), starting with the rear screw.
14. Reinsert the bolt into the receiver.
15. Reinsert the magazine.

Trail model telescopic stock

The telescopic shoulder stock has 3 functional (shootable) positions. The fourth position, in which the shoulder stock is fully inserted into the rifle, is suitable for carrying or storing the firearm. The manufacturer does not recommend firing the firearm in this position due to the risk of user's injury due to the recoil after firing. The button on the upper side of the chassis behind the receiver (the standard version has the safety button in this area Fig. 16, page IV) serves for adjusting the length of the stock.

Trail model pistol grip

The attachment interface of the pistol grip is compatible with the AR-15 pistol grips. The exchangeable backstrap is compatible with backstraps of the CZ P-09 pistol.

Rear Sight Leaf Replacement

WARNING: ALWAYS WEAR EYE PROTECTION WHEN DISASSEMBLING THE RIFLE

WARNING: BEFORE PROCEEDING WITH THIS OPERATION, PERFORM THE PROCEDURE DESCRIBED IN CHAPTER UNLOADING OF THE RIFLE!

Use a 1.5 mm hex wrench to loosen the side set screws of the rear sight leaf (Fig. 8) and remove the leaf. Install the replacement sight leaf into the rear sight base. Center the sight in the base and tighten the set screws. NOTE: the sights need to be zeroed after this operation!

Front Sight Replacement

WARNING: ALWAYS WEAR EYE PROTECTION WHEN DISSASSEMBLING THE RIFLE

WARNING: BEFORE PROCEEDING WITH THIS OPERATION, PERFORM THE PROCEDURE DESCRIBED IN CHAPTER UNLOADING OF THE RIFLE!

Using pliers, slightly spread the front sight guard to remove it from the front sight base without marring the finish. Remove the set screws from the front of the sight base (Fig. 8, page III) using a 1.5mm hex wrench. Punch the front sight pin out of the front sight base, then remove the front sight blade. Install a new front sight blade by following the above steps in reverse order. NOTE: The firearm's sights will need to be zeroed after this operation!

Sight Adjustment

WARNING: ALWAYS WEAR EYE PROTECTION WHEN DISASSEMBLING THE RIFLE

WARNING: BEFORE PROCEEDING WITH THIS OPERATION, PERFORM THE PROCEDURE DESCRIBED IN CHAPTER UNLOADING OF THE RIFLE!

Windage adjustment (Fig. 9, page III) – If mean point of impact (MPI) is on the left of the aiming point (AP), it is necessary to shift the rear sight to the right. Use 1.5mm hex wrench to loosen the rear sight left set screw (loosening of the screw depends on windage deviation) and tighten the right set screw. If MPI is on the right of the AP, it is necessary to loosen the right set screw and to tighten the left set screw. After adjusting, verify the position of MPI and repeat the adjustment if necessary.

Elevation adjustment (Fig. 8, page III) – If MPI is above the AP, it is necessary to make the front sight higher. Use a 1.5mm hex wrench to loosen the front sight upper set screw (loosening of the screw depends on elevation deviation) and tighten the bottom set screw. If MPI is below the AP, it is necessary to loosen the front sight bottom set screw and to tighten the upper set screw. After adjusting, verify the position of MPI and repeat the adjustment if necessary.

CAUTION: DO NOT STRIP YOUR FIREARM ANY FURTHER. IF YOU ASSUME THAT YOUR FIREARM REQUIRES ADJUSTMENT OR REPAIR, ENTRUST THIS WORK TO A COMPETENT GUNSMITH IN A SPECIALIZED WORKSHOP!

Preservation of Rifle

When the barrel, chamber, and all accessible parts are clean and dry, wipe these parts with a cloth soaked in gun oil or apply an oil in spray form. Remove all excess oil.

Before shooting always pull a dry patch through the barrel. At very low temperatures remove the oil from all accessible parts or apply a lubricant specifically designed for these conditions. Use thick preserving agents such as preserving grease only for long-term storage in severe climatic environments, and thoroughly remove it from all parts of the firearm before use.

Waste Management

When used properly, the materials used in the product and its packaging have no adverse effects on human health or the environment. When disposing of the product or its packaging, all metal parts (steel and non-ferrous metals), plastics, wood, paper and cardboard should be stored separately in collecting containers intended specifically for that purpose.

PARTS LIST

- 1 Barrel*
- 2 Thread cap*
- 3 Trigger guard*
- 4 Bolt handle*
- 5 Bolt knob*
- 6 Extractor
- 7 Extractor spring
- 8 Ejector spring
- 9 Ejector*
- 10 Main spring washer
- 11 Main spring
- 12 Firing pin
- 13 Main spring support
- 14 Firing pin nut
- 15 Bolt sleeve
- 16 Cheekpiece
- 17 223 Rem. magazine well insert*
- 18 7.62x39 magazine catch button washer*
- 19 Forend screws

Spare parts assemblies:

- A Receiver*
- B Bolt (assembly)*
- C Bolt head
- D Bolt body*
- E Bolt handle*
- F Firing pin
- G Trigger mechanism*
- H Magazine
- J Magazine catch
- K Stock*
- L Butt plate
- M Sling swivel*
- N Rear sight*
- P Front sight*
- Q Rear sight leaf
- R Front sight leaf
- S Fasteners set
 - S1 Connecting screws*
 - S2 Receiver screws*
 - S3 Bolt handle screw
 - S4 Bolt pin
- T Trail chassis assembly*
- V Pistol grip assembly*
- W Forend*
- X Shoulder stock assembly*
- Y Magazine catch assembly*
- Z Trail fasteners

The parts marked * differ according to versions, or as case may be in some versions are entirely missing

TROUBLESHOOTING

If your firearm is properly used and maintained, malfunctions will rarely occur. However, if such a situation does occur please observe the following instructions.

CAUTION - If a malfunction occurs, the possibility of an accidental discharge is substantially higher. For this reason, when clearing malfunctions, follow the previously mentioned Safety Instructions. Keep the rifle pointed in a safe direction, do not turn the rifle towards your body or anyone else's. Do not place your hands in front of the barrel!

Malfunction	Possible Cause	Remedy
A cartridge has not been fed into the chamber	The rifle or cartridges are fouled (dirty). The magazine was not inserted properly	Clean the rifle and cartridges and wipe them dry or slightly lubricate as the situation dictates. Check magazine position and its locking.
Misfire	Defective cartridge. Firing Pin hole is fouled (dirty) or improper lubricant was used in low temperature conditions.	Follow Point 20 of the Safety Instructions. Disassemble and clean the bolt head and firing pin assembly. Reassemble and use a lubricant appropriate for the environment.
A shot sounds "weak"	The cartridge was ignited, but there was an insufficient powder charge inside the cartridge case.	IMMEDIATELY STOP SHOOTING! Unload the rifle and check that the bullet has not obstructed the barrel. Any subsequent shot could cause damage to the firearm and injury to the shooter.

INSTRUCTION MANUAL

Malfunction	Possible Cause	Remedy
Doublefeed	The bolt has not been moved to its rearmost position when ejecting previous cartridge or the movement was not vigorous enough.	Remove the cartridges from the ejection port and check the position of cartridges in magazine. Move the bolt vigorously and to its rearmost position when ejecting a cartridge.
The spent case has not been ejected	Chamber, extractor and/or ammunition is dirty or unsuitable lubricant in low temperatures.	Clean and lubricate the rifle with a lubricant appropriate for the environment. Use clean and new ammunition.

If you are not able to clear the malfunction in a manner described above, entrust the firearm to a competent gunsmith for inspection and repair. Do not close the bolt on a jammed or stuck cartridge.

INSTRUCTION MANUAL

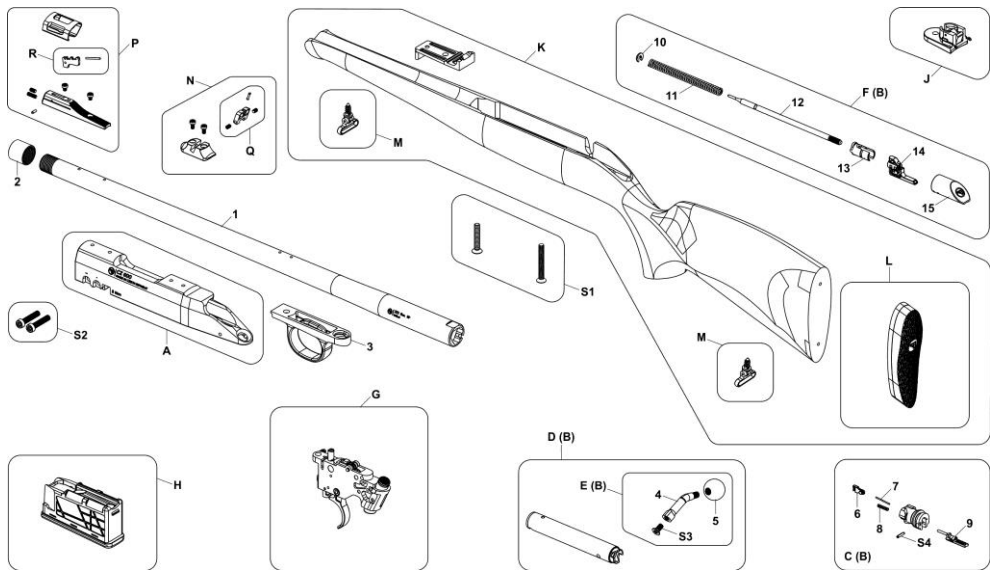
LIST OF ILLUSTRATIONS

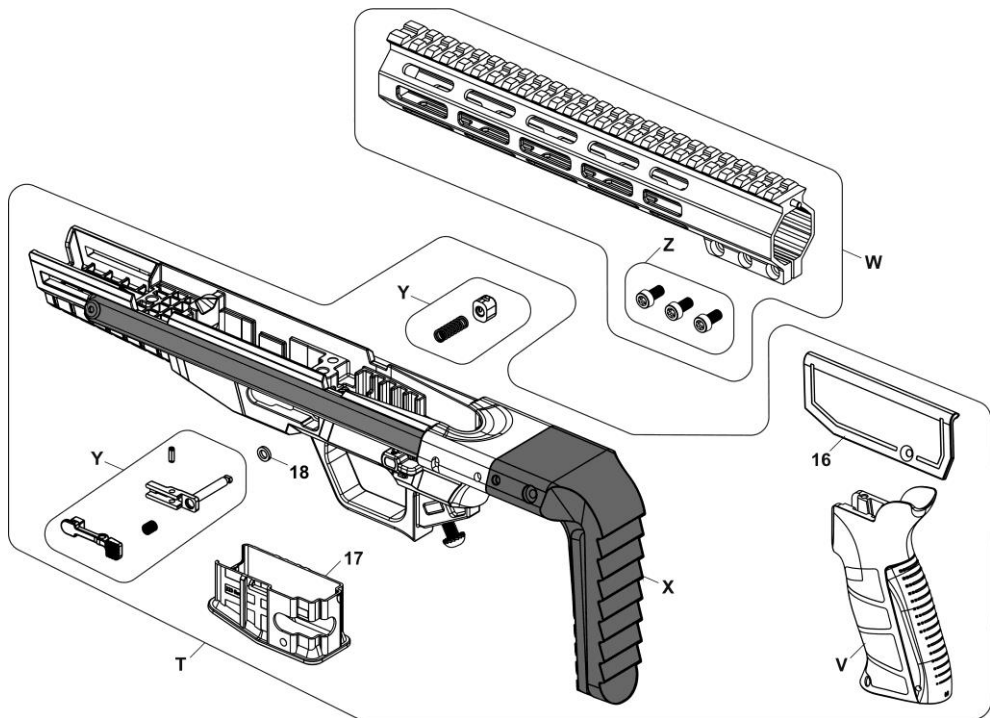
1. Correct way of inserting the magazine
2. Wrong and correct alignment of striker nut and bolt guide slot
3. Safety button (disengagement) and bolt control button
4. Safety button (engagement)
5. Trigger pull control element
6. Releasing the bolt sleeve for bolt disassembly
7. Correct way of disassembling the bolt from the bolt body
8. Front sight lock and set screws
9. Rear sight lock and set screws
10. Re-locking the bolt sleeve after bolt assembly
11. Locking slide of the magazine catch button
12. Cocking the firing pin after accidental release
13. Both-sided safety of the Trail model
14. Left magazine release button
15. Trigger pull control elements
16. Shoulder stock locking on the Trail model
17. Bolt control button on the Trail model
18. Right magazine release button

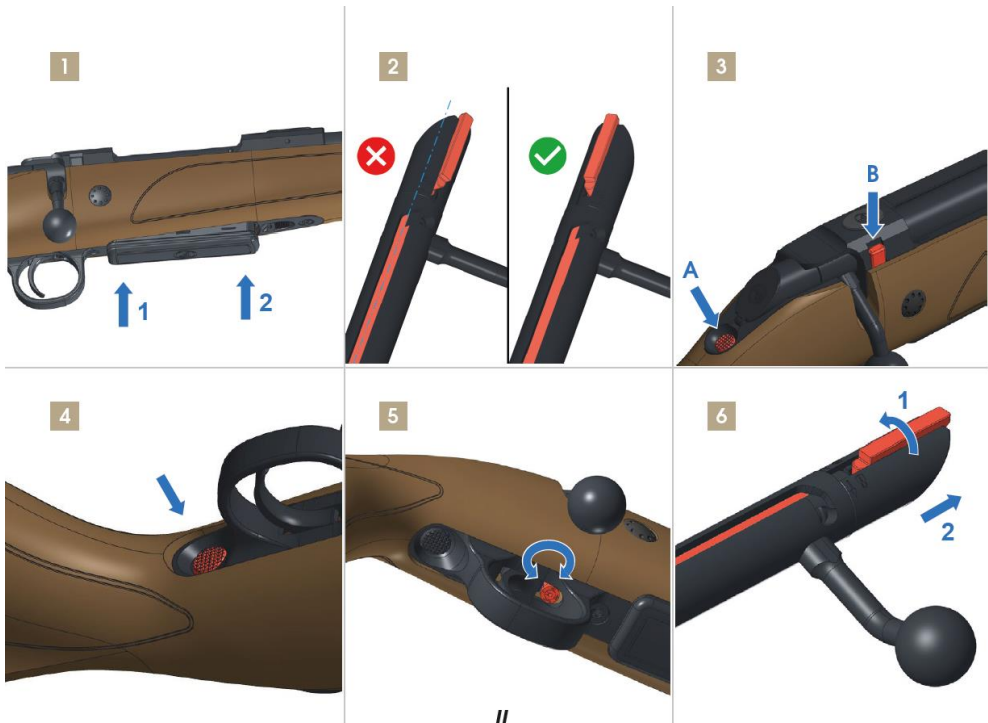
CONTENT

1. Rifle
2. 1 magazine in the rifle
3. 1.5mm hex wrench
4. T25 Torx wrench
5. Instruction manual
6. Warranty sheet

The Company reserves the right to make changes it deems necessary to improve its models or to meet any requirements of manufacturing or commercial nature.







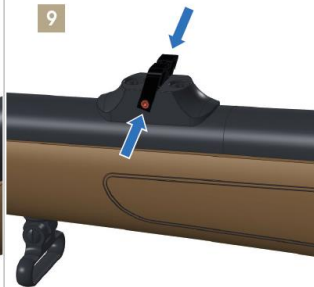
7



8



9



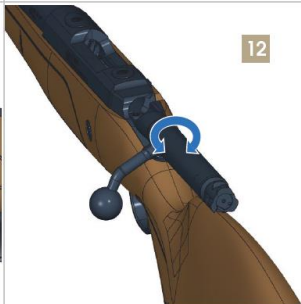
10



11



12



III

