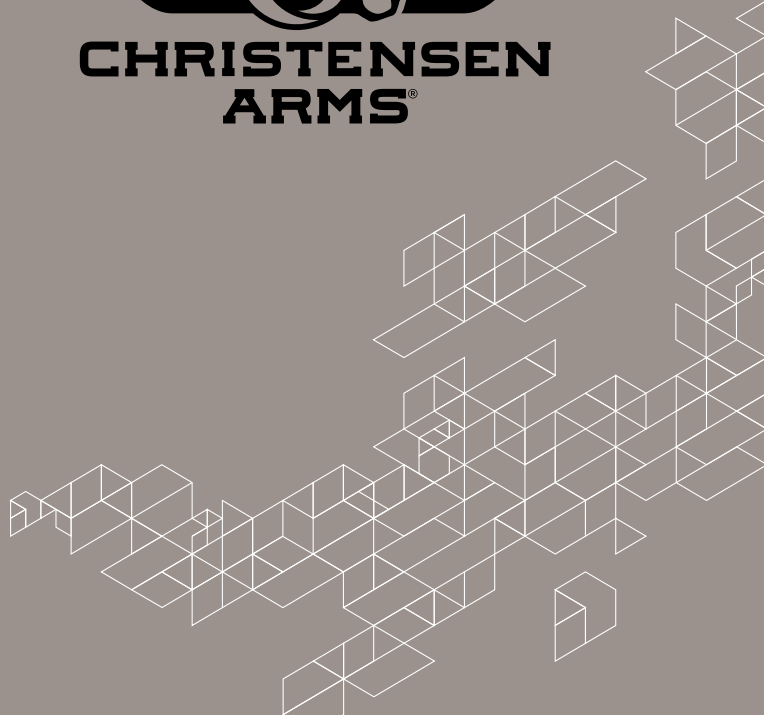




**CHRISTENSEN
ARMS®**

**BOLT
RIFLES**







WELCOME TO THE CHRISTENSEN ARMS FAMILY

High quality, high technology firearms designed and built for serious shooters who demand a unique and very precise rifle that exceeds the requirements faced by the discriminating hunters and sportsman operating in harsh environments.

21 YEARS
COMPOSITES
EXCELLENCE

MADE IN
THE USA

A graphic consisting of five horizontal black stripes, representing the stripes of the United States flag.



1	Warnings	13	Unloading the Firearm
3	Rules of Safety	14	Disassembly
4	Safety Features	14	Functional Check
5	General Information	15	Cleaning
6	Ammunition	16	Reassembly
8	Assembly	17	Exploded Diagrams
9	Loading	20	Safe and Long-Term Storage
10	Loading the Magazine	21	Warranty, Guarantee and Disclaimer
12	Firing	22	Return and Refund Policy

IMPORTANT

**READ ALL INSTRUCTIONS
AND WARNINGS ON THIS
PAGE BEFORE USING THE
FIREARM.**



WARRANTY

Christensen Arms firearms are warranted against manufacturing defects for a period of 30 days from point of sale (cosmetic defects excluded).

We will repair or replace defective parts or provide refunds at our own discretion. No refunds considered after 30 days. All returns must be completed via RMA process by contacting Christensen Arms.

For more info see Page 22.

RECOMMENDED BARREL BREAK IN PROCEDURES

1. For the first 10 shots, clean the barrel after each shot.
2. For the next 50 shots, clean the barrel after each 5 shot group.
3. To maintain the quality of the barrel, we recommend cleaning the barrel within every 20 shots.

RECOMMENDED BARREL CLEANING PROCEDURES

Use a cleaning rod, a bronze brush, flannel patches and a quality bore solvent.

1. Saturate the brush with solvent and make 20 passes through the barrel (10 cycles).
2. Let the solvent soak in the barrel for 10 minutes.
3. Saturate the brush again with solvent and make 20 more passes through the barrel.
4. Push 3 patches through the barrel to remove excess solvent and the loosened fouling.

For more detailed information see page 16.

MUZZLE BRAKE RECOMMENDATIONS

1. Remove muzzle brake when cleaning rifle barrel to avoid trapping solvent and residue in the expansion chambers. Replace the brake carefully thread it back onto the barrel by hand. Do not over tighten.
2. Use ear plugs when discharging your rifle due to the increased volume caused by the muzzle brake.

DISCLAIMER

Christensen Arms delivers a firearm free of defects. Our guarantee requires that firearm owners safely handle, properly break-in and properly maintain the firearm. Improper use or owner modifications to the firearm voids the guarantee and warranty.

SAFETY FIRST, IT IS YOUR RESPONSIBILITY

Treat every gun as if it is a loaded gun AT ALL TIMES!

Always keep the muzzle pointed in a safe direction.

Never point your firearm at anything that you do not intend to shoot.

Keep your finger off the trigger and out of the trigger guard until you are aiming at your target and ready to shoot.

Always keep and carry your firearm with an empty chamber until you intend to shoot.

Firearms should be unloaded when not in use.

Be sure of your target and backstop before you shoot. Analyze what your bullet will hit if it misses or goes through the target.

Never shoot at hard, flat surfaces or water.

Bullets can ricochet.

Always wear hearing and eye protection when shooting.

Discharging firearms in poorly ventilated areas, cleaning firearms or handling ammunition may result in exposure to lead, a substance known to be associated with birth defects, reproductive harm, and other serious injuries. Make sure you have adequate ventilation at all times. Wash hands after handling.

Make sure your barrel is clear of all obstructions

including (but not limited to) excessive oil, grease, cleaning patches, debris, etc. before shooting.

Use only clean, high quality factory loaded

ammunition in good condition. Christensen

Arms does not encourage the use of hand-loaded ammunition; any such use voids the Christensen Arms warranty.

Do not alter or modify your firearm.

Do not try to change your firearm's trigger

pull as alterations of trigger pull can affect sear

engagement and can cause accidental firing.

Do not disassemble your firearm's trigger group. Any alteration or adjustment to the trigger group could result in accidental firing causing serious injury or death.

Store firearms and ammunition separately, and in a safe place out of reach of children.

In case of malfunction, STOP! Review this manual to identify and resolve the problem. If you cannot resolve the problem please contact Christensen Arms immediately.

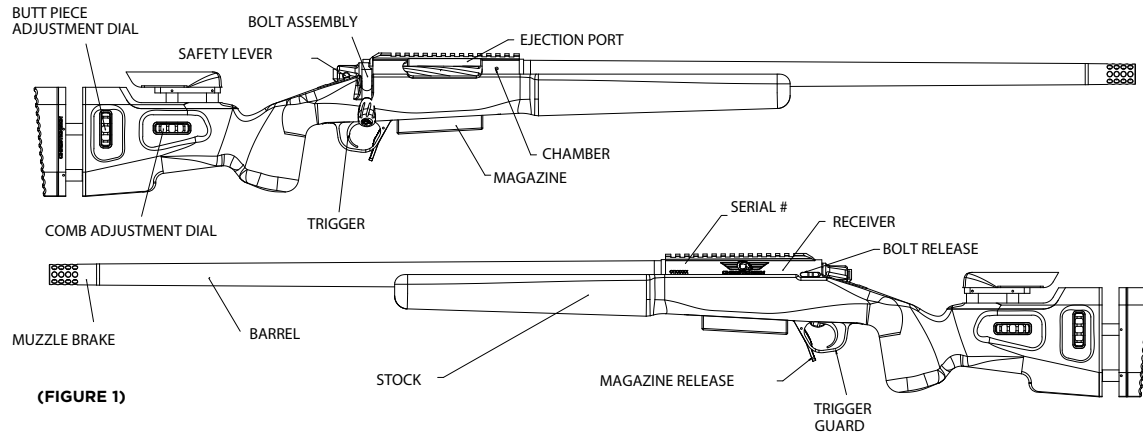
BOLT RIFLE STRUCTURE MODEL

Congratulations on your choice of a Christensen Arms rifle. With proper care, your rifle will give you many years of dependable use. You will find the serial number of the rifle on the left side of the receiver (Figure. 1).

Always store your rifle unloaded in a secure, dry place, where it will not be damaged and where only authorized persons can access it. Keep cartridges stored separately and securely.

DISCLAIMER: Your rifle may differ from those shown throughout the manual, depending on options.

NOTE: TFM MODEL SHOWN



(FIGURE 1)

SAFETY FEATURES

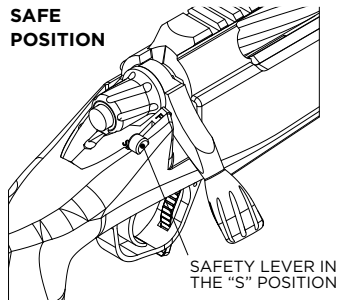
Your safety lever is located to the right of the bolt shroud (right handed rifles). The safety mechanism provides some degree of protection from accidental or unintentional discharge under normal usage when properly engaged and in good working condition.

DO NOT RELY on the safety mechanism exclusively for safety and accident prevention. Always follow proper rules of safety and common sense.

To engage the safety, move the safety lever all the way back to the "S" position.

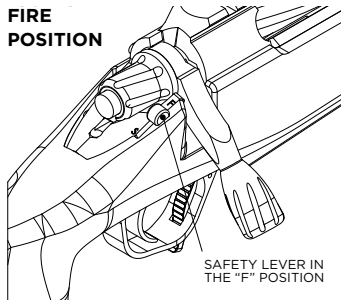
Keep the safety in the "S" position at all times. ONLY when you are ready to fire the rifle, push the safety lever to the "F" position. Do not touch the trigger while moving the safety lever. Keep the area inside the trigger guard clear and finger off the trigger until you are ready to fire the rifle. Never pull the trigger when the safety lever is in the "S" position.

**SAFE
POSITION**



SAFETY LEVER IN
THE "S" POSITION

**FIRE
POSITION**



SAFETY LEVER IN
THE "F" POSITION

GENERAL INFORMATION

All Christensen Arms firearms are manufactured to perform at a high degree of accuracy, reliability and durability.

WARNING: YOUR CHRISTENSEN ARMS FIREARM WAS DESIGNED AND TESTED TO FUNCTION WITH ITS ORIGINAL COMPONENTS. ALTERATIONS TO THE FIREARM IN ANY WAY INCLUDING BUT NOT LIMITED TO ALTERING ORIGINAL COMPONENTS OR REPLACING PARTS WITH AFTER-MARKET (NON-CHRISTENSEN ARMS) PARTS OR COMPONENTS CAN CAUSE MALFUNCTIONS AND WILL VOID YOUR WARRANTY. DO NOT USE SUBSTITUTE PARTS UNLESS THEY ARE MANUFACTURED OR RECOMMENDED BY CHRISTENSEN ARMS.

TRIGGER SYSTEM

(unless specifically ordered or customized)

The trigger is factory preset with a pull weight of 3 pounds. After-market triggers should be installed by an experienced gunsmith. If alterations of the trigger are needed, contact Christensen Arms. NOTE: Trigger system has tamper evident material on set screws and adjustments.

BARREL LIFE

The Christensen Arms Custom Carbon Barrel is an elite choice and upgrade to any platform. The carbon custom barrel consists of a stainless steel, select match grade barrel.

The steel profile is turned to a proprietary contour and then wound in carbon fiber utilizing a patented process. Chambered to match grade specifications, your Christensen Arms carbon barrel will give the accuracy performance enhancements that are desired in a high-end rifle.

A few of the benefits to our patented carbon barrel system are listed below:

- 1 A lightweight barrel with the accuracy of a target bull barrel.
- 2 Our carbon-fiber barrel is three times stiffer than a steel barrel of equal weight, which reduces flex & harmonics, increasing precision.
- 3 The Christensen Arms patented carbon layup process produces a barrel shell that has zero thermal expansion coefficients, which brings you shot after shot consistency.

- 4 Performs well in any climate or temperature, corrosion resistant.
- 5 Dissipates heat from the stainless steel liner 300% faster than steel.
6. Barrel life can be extended by 25%.

APPEARANCE

Christensen Arms Bolt Rifles are an industrial product and bears finishes appropriate for its intended purposes. Christensen Arms rifles are all thoroughly test fired before shipping. New rifles will normally show evidence of this firing. If the receiver looks light or uneven in color, which is typically due to dryness, apply a light coat of oil on the metallic surface and this will improve the appearance. The receivers are made of stainless steel for its exceptional strength.

PATENT NO. 5804756, 5692334, 5657568, 8677670

AMMUNITION

- 1 Use only high quality, original factory manufactured ammunition. Use only ammunition of the caliber for which your firearm is chambered. The proper caliber is permanently engraved on the barrel of your firearm; never attempt to use ammunition of any other caliber.
- 2 The use of reloaded, "re-manufactured," hand loaded or other nonstandard ammunition voids all warranties. Reloading is a science and improperly loaded ammunition can be extremely dangerous. Severe damage to the firearm and serious injury to the shooter or to others may result. Always use ammunition that complies with the industry performance standards established by the Sporting Arms and Ammunition Manufacturers' Institute, Inc. of the United States (SAAMI).
- 3 Firearms may be severely damaged, and serious injury to the shooter or others may result from any condition causing excessive pressure inside the chamber or barrel during firing.
Excessive pressure can be caused by an obstruction in the barrel, propellant powder overloads or by the use of incorrect or defectively assembled cartridges. In addition, the use of a dirty, corroded or damaged cartridge can lead to a burst cartridge case and consequent damage to the firearm and personal injury from the sudden escape of high-pressure propellant gas within the firearm's mechanism.
- 4 Immediately stop shooting and check the barrel for a possible obstruction whenever:
You have difficulty in, or feel unusual resistance in chambering a cartridge, or
A cartridge misfires (does not go off), or
The mechanism fails to extract a fired cartridge case, or
Unburned grains of propellant powder are discovered spilled in the mechanism, or
A shot sounds weak or abnormal. In such cases it is possible that a bullet is lodged part way down the barrel. Firing a subsequent bullet into the obstructed barrel can cause severe damage to the firearm and cause serious injury to the shooter or bystanders.
- 5 Bullets can become lodged in the barrel:
If the cartridge has been improperly loaded with insufficient propellant, or if the propellant fails to ignite. (Ignition of the cartridge primer alone may push the bullet out of the cartridge case, but usually does not generate sufficient energy to expel the bullet completely from the barrel), or
If the bullet is not properly seated in the cartridge case. When such a cartridge is extracted from the chamber without being fired, the bullet may be left behind in the bore at the point where the rifling begins.
Subsequent chambering of another cartridge may push the first bullet further into the bore.
- 6 If there is any reason to suspect that a bullet is obstructing the barrel, immediately unload the firearm, remove the bolt and look through the bore. It is not sufficient to merely look in the chamber. A bullet may be lodged some distance down the barrel where it cannot easily be seen. If the bullet can be easily removed with a wood or brass dowel, (using hand pressure only, never "hammer" a bullet lodged in the bore) clean any unburned powder grains from the bore, chamber and mechanism before resuming shooting. If the bullet cannot be dislodged by tapping it with a cleaning rod, take the firearm to a gunsmith.
- 7 Dirt, corrosion, or other foreign matter on a

cartridge can impede complete chambering and may cause the cartridge case to burst upon firing. The same is true of cartridges which are damaged or deformed.

- 8 Do not oil cartridges, and be sure to wipe the chamber clean of any oil preservative before commencing to shoot. Oil interferes with the friction between cartridge case and chamber wall that is necessary for safe functioning, and subjects the firearm to stress similar to that imposed by excessive pressure. Lubricant and other foreign matter on cartridges can cause potentially dangerous ammunition malfunctions.
- 9 Use lubricants liberally on the moving parts of your firearm. Avoid excessive spraying of any aerosol gun care product, especially where it may get on ammunition. All lubricants, and aerosol spray lubricants in particular, can penetrate cartridge primers and cause misfires. Some highly penetrative lubricants can also migrate inside cartridge cases and cause deterioration of the propellant powder; on firing, the powder may not ignite. If only the primer ignites, there is a danger that the bullet may become lodged in the barrel.

WARNING: IF A BULLET IS IN THE BORE, DO NOT ATTEMPT TO SHOOT IT OUT BY USING ANOTHER CARTRIDGE, OR BY BLOWING IT OUT WITH A BLANK OR ONE FROM WHICH THE BULLET HAS BEEN REMOVED. SUCH TECHNIQUES CAN GENERATE EXCESSIVE PRESSURE, DAMAGE THE FIREARM AND CAUSE SERIOUS PERSONAL INJURY.

WARNING: USE OF INCORRECT AMMUNITION CAN CAUSE FIREARM DAMAGE, PERSONAL INJURY OR DEATH. MAKE ABSOLUTELY CERTAIN THAT YOU ARE USING CARTRIDGES DESIGNED FOR YOUR FIREARM. DO NOT FIRE OLD, CORRODED, DEFORMED OR HAND LOADED AMMUNITION. IF YOU HAVE ANY QUESTIONS, CONTACT CHRISTENSEN ARMS BEFORE FIRING.

WARNING: DO NOT FIRE SABOT AMMUNITION FROM YOUR RIFLE. THE SABOT COULD LODGE IN YOUR MUZZLE BRAKE CAUSING FIREARM DAMAGE AND POTENTIAL INJURY OR DEATH.

NOTE: Some types/brands of ammunition have unique characteristics (e.g. extremely light or heavy projectiles, particularly soft cartridge cases, propellant that burns unusually slower or more rapidly), which can reduce its reliability.

Christensen Arms recommends that you purchase and test a small quantity of any type of ammo in your firearm before you buy large quantities.

IF YOU HAVE ANY DOUBTS ABOUT YOUR ABILITY TO HANDLE OR USE THIS FIREARM SAFELY, YOU SHOULD SEEK SUPERVISED INSTRUCTION AND TRAINING. PERSONAL INSTRUCTORS AND GUN SAFETY TRAINING COURSES ARE OFTEN AVAILABLE FROM GUN DEALERS, LAW ENFORCEMENT AGENCIES, GUN CLUBS, AND OTHER SIMILAR LOCATIONS AND GROUPS

ASSEMBLY

INITIAL ASSEMBLY

Your firearm is shipped completely assembled, except the bolt has been removed. Simply insert the bolt into the action. At the front of the bolt there are two lugs. One has a groove and one does not. Match up the grooves on the lug with the grooves on the action.

ADJUSTING THE BUTT STOCK

To adjust the butt stock, turn the adjustment nut to the desired position. (TFM models only)

WARNING: IF YOU MOUNT A SCOPE TO YOUR RIFLE, MAKE SURE THE SCOPE IS MOUNTED FAR ENOUGH FORWARD SO THAT IT WILL NOT IMPACT YOUR FACE DURING RECOIL. CHECK THE DISTANCE BETWEEN THE SCOPE AND YOUR FACE WHEN YOU ARE IN THE FIRING POSITION. KEEP IN MIND THAT YOUR EYE WILL BE CLOSER TO THE SCOPE WHEN SHOOTING FROM PRONE OR FROM THE BENCH THAN WHEN SHOOTING OFF-HAND. WHEN IN DOUBT INCREASE THE EYE RELIEF.

TRIGGER

Your trigger is adjusted at the factory. All adjustments to the Trigger must be done at our factory.

WARNING: READ THIS MANUAL COMPLETELY AS YOU INSPECT YOUR NEW CHRISTENSEN ARMS FIREARM. MAKE SURE YOU UNDERSTAND HOW TO ASSEMBLE, OPERATE, DISASSEMBLE, MAINTAIN AND STORE YOUR FIREARM SAFELY BEFORE YOU USE IT.

Any time you disassemble and reassemble a firearm, **ENSURE THAT THE RIFLE IS UNLOADED AND MAGAZINE IS REMOVED.** Then you should conduct a functional check. (discussed later in this manual pg. 23)

INITIAL CLEANING

Clean the bore of your firearm and lubricate the firearm as described in the Maintenance section hereafter. Christensen Arms firearms are typically made more tightly than other bolt rifle designs. A break-in period of 50 rounds allows machined surfaces (including coated surfaces) to smooth out. Lubricate the rifle well before firing.

WARNING: TO ASSURE PROTECTION FROM CORROSION, YOUR CHRISTENSEN ARMS FIREARM HAS BEEN SHIPPED WITH PRESERVATIVE OIL IN THE BORE. FIRING THE FIREARM WITH PRESERVATIVE IN THE BORE CAN INCREASE PRESSURES, WITH

POSSIBLE FIREARM DAMAGE PERSONAL INJURY OR DEATH. CLEAN AND DRY THE BORE BEFORE FIRING YOUR CHRISTENSEN ARMS FIREARM.

BREAKING IN CHRISTENSEN ARMS BARRELS

Christensen Arms recommends the following procedures to break in your new stainless steel match grade barrel.

- 1 For the first 10 shots, clean the barrel after every shot.
- 2 For the next 40 shots, clean the barrel after each five shot group.
- 3 Then to maintain quality of the barrel, clean after each outing.

WARNING: FOLLOW ALL OF THE RULES OF SAFE GUN HANDLING ANYTIME YOU HANDLE YOUR FIREARM.

LOADING

WARNING: ALWAYS KEEP THE SAFETY IN THE "SAFE" POSITION UNTIL YOU ARE READY TO FIRE THE FIREARM. REMEMBER THAT THE SAFETY IS SIMPLY A MECHANICAL DEVICE, AND AS SUCH, COULD POSSIBLY FAIL. ALWAYS KEEP THE CHAMBER EMPTY AND THE FIREARM POINTED IN A SAFE DIRECTION EVEN WHEN SAFETY IS IN THE SAFE POSITION.

WARNING: INJURY, DEATH OR FIREARM DAMAGE CAN RESULT FROM FIRING A FIREARM WITH AN OBSTRUCTION IN THE BORE. BEFORE YOU FIRE MAKE SURE THAT THE BORE IS NOT OBSTRUCTED. NEVER ATTEMPT TO SHOOT OUT A BORE OBSTRUCTION.

WARNING: ALWAYS WEAR EYE AND EAR PROTECTION. MAKE SURE THAT BYSTANDERS ALSO WEAR EYE AND EAR PROTECTION.

WARNING: HANDLING OF CARTRIDGES AND FIRING FIREARMS MAY EXPOSE YOU TO LEAD. ALWAYS ASSURE THAT THERE IS ADEQUATE VENTILATION. ALWAYS WASH YOUR HANDS AFTER HANDLING AMMUNITION OR AFTER FIRING YOUR FIREARM.

WARNING: THIS FIREARM WILL FIRE WITHOUT A MAGAZINE IN IT or OPEN BOTTOM METAL. ALWAYS MAKE SURE THE CHAMBER IS EMPTY. THE FIREARM SHOULD NOT BE CONSIDERED TO BE SAFE UNLESS THE MAGAZINE IS REMOVED, THE SAFETY IS ON, THE BOLT IS OPEN AND THE CHAMBER IS EMPTY.

WARNING: THE FIRED CARTRIDGE CASE MAY BE HOT WHEN IT IS EJECTED FROM THE FIREARM.

WARNING: IF THE FIREARM FAILS TO FIRE WHEN THE TRIGGER IS PULLED:

- 1 KEEP THE FIREARM POINTED AT THE TARGET.
- 2 WAIT 15 SECONDS TO ALLOW A POSSIBLE "HANG-FIRE" TO GO OFF.
- 3 REMOVE THE MAGAZINE OR OPEN THE BOTTOM METAL.
- 4 CHECK TO SEE IF THE SAFETY IS ENGAGED BY MISTAKE. IF SO, PUSH THE SAFETY TO THE "FIRE" POSITION, AIM AT INTENDED TARGET AND FIRE.
- 5 IF THE FIREARM STILL DOESN'T FIRE, BE CAUTIOUS AND ASSUME THAT THE CARTRIDGE WILL DISCHARGE WHEN THE BOLT IS OPENED.

- 6 OPEN THE BOLT QUICKLY (WITH THE EJECTION PORT POINTED AWAY FROM YOUR FACE AND BODY) AND UNLOAD THE FIREARM.
- 7 EXAMINE THE FIREARM AND CARTRIDGE CAREFULLY TO IDENTIFY THE CAUSE OF THE MALFUNCTION.

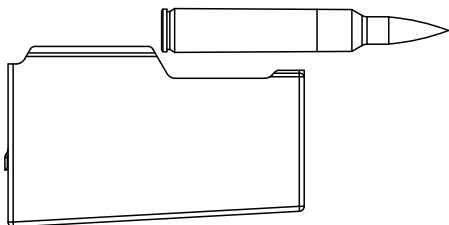
LOADING DETACHABLE MAGAZINE

The detachable magazine can be loaded when removed from the rifle by pressing the cartridge down into the forward portion of the magazine then sliding back towards the rear. (see images below)

CAUTION: CHRISTENSEN ARMS CURRENTLY MANUFACTURES DETACHABLE MAGAZINES THAT ARE DESIGNED FOR A CAPACITY OF:

MAGNUM CARTRIDGES 3+1 ROUNDS
STANDARD CARTRIDGES 4+1 ROUNDS

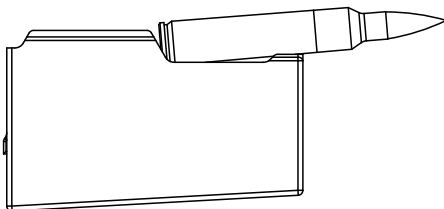
DO NOT EXCEED THESE CAPACITIES.



DUE TO VARIATIONS IN DIAMETERS OF VARIOUS BRANDS OF CARTRIDGES, IT MAY BE POSSIBLE TO FORCE AN ADDITIONAL CARTRIDGE INTO THE MAGAZINE. DOING SO MAY DAMAGE YOUR MAGAZINE AND LEAD TO ELEVATED MALFUNCTION RATES.

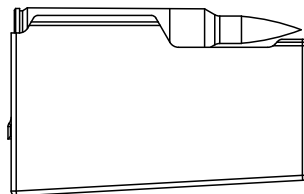
SEATING THE DETACHABLE MAGAZINE INTO FIREARM

- 1 Place the safety selector in the "SAFE" position.
- 2 Push the magazine up into the receiver until the magazine catch engages and holds the magazine.
- 3 Pull down on the magazine slightly to make sure it is locked into place.



CAUTION: KEEP YOUR MAGAZINES CLEAN AND DRY. NEVER POUND THE MAGAZINE INTO THE RIFLE. INSERT THE MAGAZINE COMPLETELY INTO THE RIFLE THEN TUG DOWNWARD TO ASSURE IT IS SECURELY LOCKED INTO PLACE.

NOTE: The cartridges in a fully loaded magazine can be packed tight and require firm upward pressure to assure that the magazine catch holds the magazine.



LOADING INTERNAL MAGAZINE

The internal magazine is loaded by pressing the cartridge down through the receiver's mag-well into the forward position of the mag box. Slide the cartridge back towards the rear once the cartridge is secured below the feed lips.

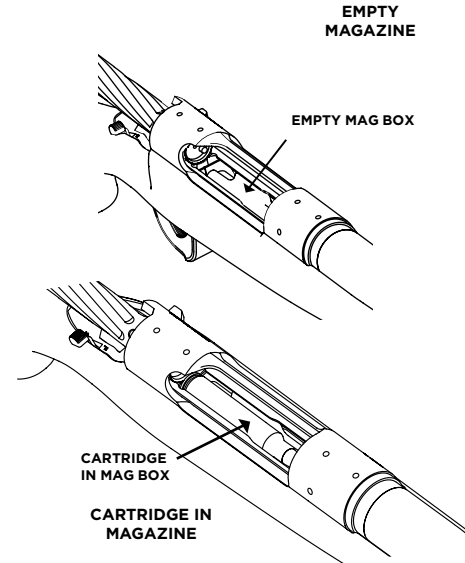
CAUTION: THE INTERNAL MAGAZINE IS DESIGNED FOR A CAPACITY OF:
MAGNUM CARTRIDGES 3+1
STANDARD CARTRIDGES 4+1
DO NOT EXCEED THESE CAPACITIES.

DUE TO VARIATIONS IN DIAMETERS OF VARIOUS BRANDS OF CARTRIDGES, IT MAY BE POSSIBLE TO FORCE AN ADDITIONAL CARTRIDGE INTO THE MAGAZINE. DOING SO MAY DAMAGE YOUR MAGAZINE AND LEAD TO ELEVATED MALFUNCTION RATES.

LOADING THE INTERNAL MAGAZINE

- 1 Place the safety selector in the "SAFE" position
- 2 Ensure the floor plate is latched and secure in the closed position
- 3 Load the magazine by pressing rounds through the top
- 4 At full capacity, press downward on the top cartridge until it is below the bolt face and begin to close the bolt. The bolt will begin to ride over the cartridge. At that point release the cartridge and continue to fully close the bolt. Ensure the round does not chamber or get wedged between the bolt and receiver

CAUTION: KEEP YOUR MAGAZINE CLEAN AND DRY. NEVER FORCE OR POUND THE CARTRIDGE INTO THE MAG BOX. ENSURE THAT THE FLOOR PLATE IS SECURED IN THE CLOSED POSITION.



LOADING

- 1 If bolt is closed, open the bolt by pulling up on the handle.
- 2 When the bolt has stopped rotating, pull bolt back to rear most position.
- 3 Smoothly press bolt forward to chamber the first round
- 4 Close the bolt

FIRING

- 1 Aim at the target.
- 2 Set the safety selector to "FIRE."
- 3 Grip the rifle firmly, and squeeze the trigger increasing the pressure until the shot fires.

When firing, pay attention. If you hear a noticeable difference in sound or recoil, **STOP FIRING IMMEDIATELY**. Either situation could mean the powder in the round had an incomplete burn or the bullet is stuck in the bore. If this occurs, retract the bolt slowly and remove the fired case. Keep ejection port pointed away from your face and body. Clear the firearm and check for unburned powder in the receiver and bore. Check to see that the bullet or any other obstruction is not stuck in the bore. If there is unburned powder, clean it out before re-summing operation. If a bullet or other obstruction is lodged in the bore, do not attempt to remove it. Take the rifle to a qualified gunsmith.

WARNING: KEEP THE SAFETY IN THE "SAFE" POSITION UNTIL YOU ARE READY TO SHOOT.

CAUTION: DO NOT REST THE RIFLE ON ITS MAGAZINE WHEN YOU ARE LOADING OR FIRING IT. DOING SO CAN FORCE THE

MAGAZINE UP INTO THE RIFLE, REDUCING THE RELIABILITY.

UNLOADING THE FIREARM

WARNING: ALWAYS ASSUME ALL FIREARMS ARE LOADED. ANYTIME YOU HANDLE A FIREARM, YOU SHOULD IMMEDIATELY INSPECT IT TO ASSURE THAT IT IS COMPLETELY UNLOADED.

WARNING: YOU MUST KNOW HOW TO UNLOAD AND CLEAR YOUR FIREARM.

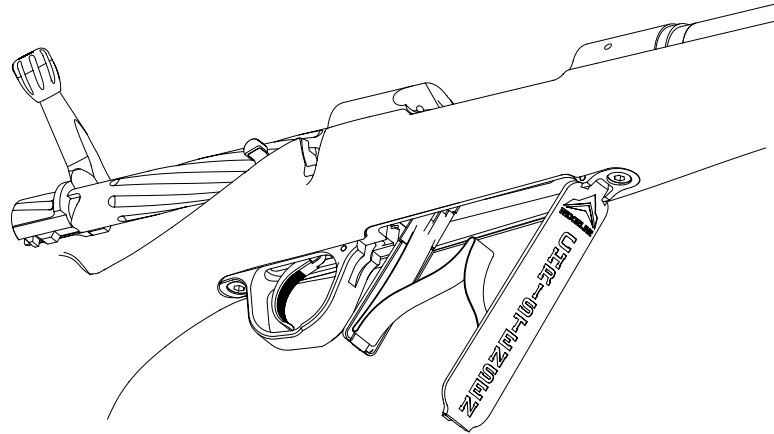
Keep your rifle cleared when not in use.

- 1 Place safety selector in the "SAFE" position

NOTICE: If the rifle is not cocked, the lever cannot be moved to the "SAFE" position.

- 2 Remove the magazine by depressing the magazine catch lever and pulling the magazine down or (for the detachable floor plate model) pressing the floor plate release lever. The floor plate will spring open when the release lever is pressed. Hold and slowly open the floor plate to ensure unused cartridges do not fall out unintentionally.

CAUTION: THE MAGAZINE MAY FALL FREE WHEN THE MAGAZINE CATCH LEVER IS PRESSED. DON'T ALLOW THE MAGAZINE TO FALL ONTO A HARD SURFACE. DOING SO MAY DAMAGE THE MAGAZINE.



- 3 Open the bolt to extract any chambered cartridge.

WARNING: IF THE CARTRIDGE IN THE MAGAZINE OR MAG BOX ARE NOT REMOVED PRIOR TO THIS PROCEDURE, ANY ROUNDS LEFT IN IT WILL BE CHAMBERED, WHICH COULD LEAD TO AN UNINTENTIONAL DISCHARGE. THE RIFLE WILL FIRE WITH A ROUND CHAMBERED AND THE MAGAZINE REMOVED.

- 1 Always make sure the barrel is free of all obstructions before chambering a cartridge. Firing with an obstruction will cause damage to your rifle and may cause serious injury.
- 2 Open the action and remove the Bolt Assembly.
- 3 Check the barrel for any obstructions of debris by visually inspecting the bore.
- 4 Use a cleaning rod and patch to remove any obstructions. If they are insufficient for the job, take your rifle to a qualified gunsmith.

DISASSEMBLY

WARNING: ALWAYS UNLOAD YOUR FIREARM BEFORE CLEANING, LUBRICATION, DISASSEMBLY OR REASSEMBLY.

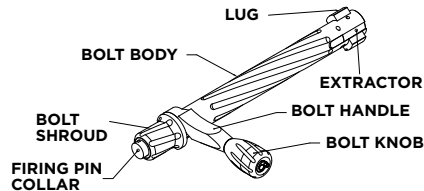
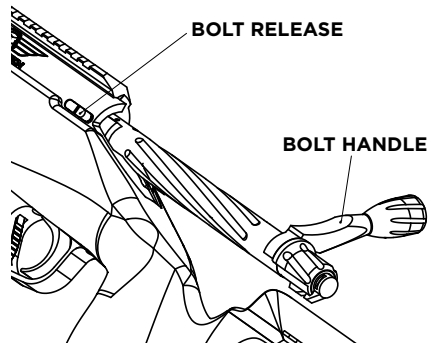
WARNING: ALWAYS WEAR SAFETY GLASSES WHEN DISASSEMBLING, MAINTAINING OR ASSEMBLING YOUR FIREARM.

CLEARING THE RIFLE

IMPORTANT: Put the safety selector in the "SAFE" position. Remove the magazine, THEN pull the bolt back and check the chamber.

REMOVE BOLT ASSEMBLY

- 1 Point rifle in safe direction.
- 2 Ensure rifle is not loaded.
- 3 Lift Bolt Handle and pull all the way back.
- 4 While depressing Bolt Release fully, slide the Bolt from the Rifle.



FUNCTIONAL CHECK

- 1 Remove the magazine, visually and physical inspect the chamber to assure that it is empty. Install an empty magazine and ensure that it is caught solidly by the magazine catch. Remove the magazine.
- 2 Place the safety in the "SAFE" position. Squeeze the trigger. The firing pin should not fall.
- 3 Place the safety in the "FIRE" position. Squeeze the trigger and hold the trigger to the rear; the firing pin should fall.

IF YOUR RIFLE FAILS EITHER TEST, CALL CHRISTENSEN ARMS AT (888) 517-8855.

CLEANING

Clean your rifle after use. Badly fouled barrels can shoot inaccurately and will corrode much easier than carefully cleaned ones.

- 1 Remove the Bolt Assembly and magazine or open the floor plate.
- 2 Place the rifle on its side with the ejection port facing upward or if a gun vise is available, position the rifle right side up in the vise.
- 3 Select the correct caliber cleaning brush and attach to the cleaning rod.
- 4 Put the cleaning brush into the gun solvent.
- 5 ALWAYS push the cleaning/oiling patch from the breech end.
- 6 Push the cleaning brush through the barrel several times.

CAUTION: DO NOT REVERSE THE DIRECTION OF THE BORE BRUSH WHILE IT IS IN THE BORE.

- 7 Remove the brush from the cleaning rod and attach the patch tip with a patch. It is advisable to occasionally remove copper fouling from the barrel. There are various solvents and mechanical cleaners for this purpose.

- 8 Repeat several times, using a clean patch each time, until the patch is not dirty.
- 9 Push a clean patch saturated with oil through the barrel.
- 10 Push a clean dry patch through the barrel to remove excess oil.

CLEANING SOLVENTS AND LUBRICANTS

The military generally uses a multipurpose chemical called CLP (cleaner, lubricant and preservative) sold commercially as "Break Free." Although it is useful if nothing else is available, armament engineers prefer individual, specialized products. A combination of military RBC (rifle bore cleaner) and LSA (lubricant, semi-fluid, automatic firearms) is superior.

We recommend using high quality solvents to remove metal fouling from the bore.

Lubricate your rifle generously with high quality firearms lubricants.

Under NO condition should any lubricant containing graphite be used with your rifle. Graphite can encourage rapid corrosion in your rifle.

In addition to cleaning solvents and lubricants, the basic cleaning equipment you will need includes a cleaning rod, a brass bore brush, chamber brushes, a toothbrush, patches, pipe cleaners and the most important item: a lint-free cloth.

NOTE: Do not reverse the direction of the bore brush while it is in the bore.

RIFLE MAINTENANCE

- 1 Clean stock with a dampened rag using warm water or mild household cleaner.
- 2 Use gun oil or WD40 on the barrel and wipe dry to restore original look.
- 3 Install the chamber brush on the cleaning rod, dip it in cleaning solvent and insert into the chamber and locking lugs. Clean by pushing and twisting the cleaning rod.
- 4 Take the bore brush off the rod and install a swab holder and swab. Apply cleaning solvent to the swab, and then run it through the chamber and out the muzzle brake (if applicable).
- 5 To remove carbon build up, let the solvent sit then wipe clean. A nylon bore brush may be used with care to remove heavy carbon buildup.

CLEANING (CONT.)

- 6 Wipe the bore dry by running clean swabs all the way through from the chamber to the muzzle brake. **REMEMBER: DO NOT CHANGE DIRECTION OF THE BRUSH WHILE IN THE BORE.**
- 7 Inspect the barrel and stock for cracks, bends or breaks. Be sure the barrel has no obstructions.
- 8 Lightly lubricate the bore, chamber and outer surface of the barrel.
- 9 With a lubricated swab, run the rod from the receiver to the muzzle brake (if applicable). Do not over lubricate.
- 10 Lubricate the locking lugs.

WARNING: LEAD MAY BE PRESENT IN THE FOULING OF A DIRTY RIFLE. AVOID CONTACT WITH IT AND CLEAN HANDS AFTERWARD TO AVOID INGESTING LEAD.

CAUTION: DO NOT REVERSE THE DIRECTION OF THE BORE BRUSH WHILE IT IS IN THE BORE.

WARNING! DO NOT INTERCHANGE BOLTS BETWEEN RIFLES.

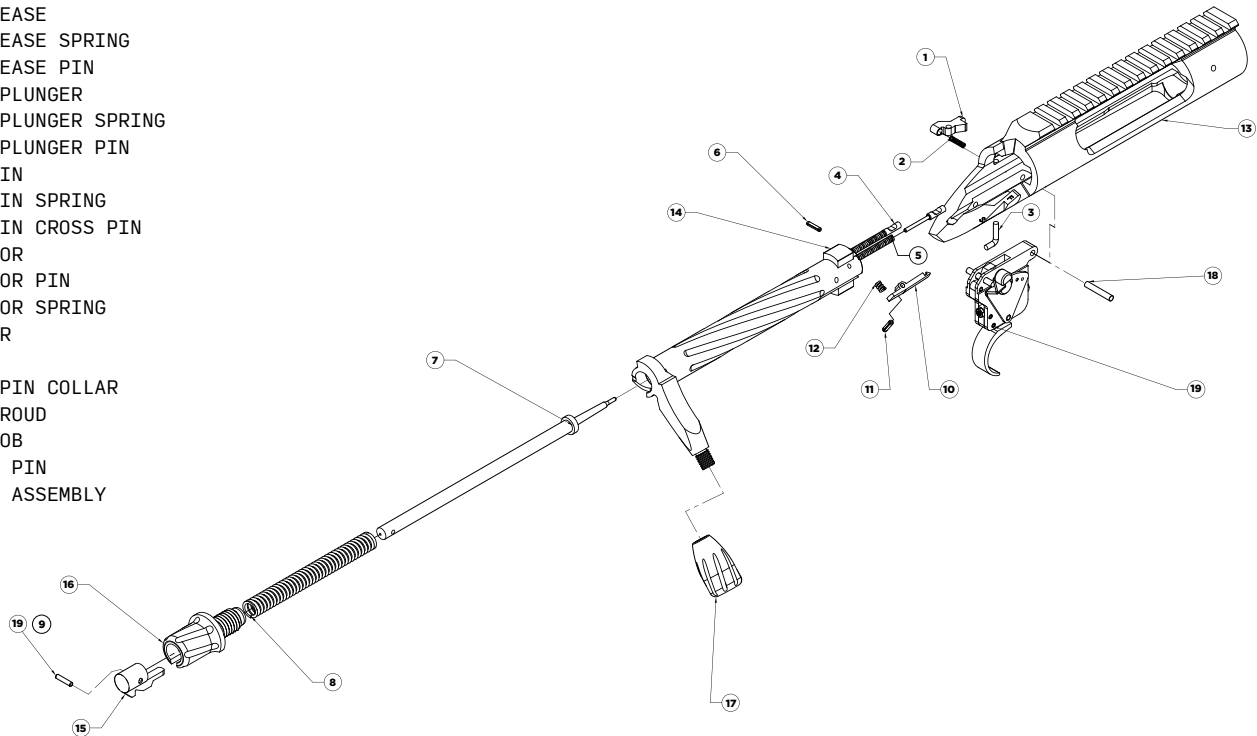
REASSEMBLY

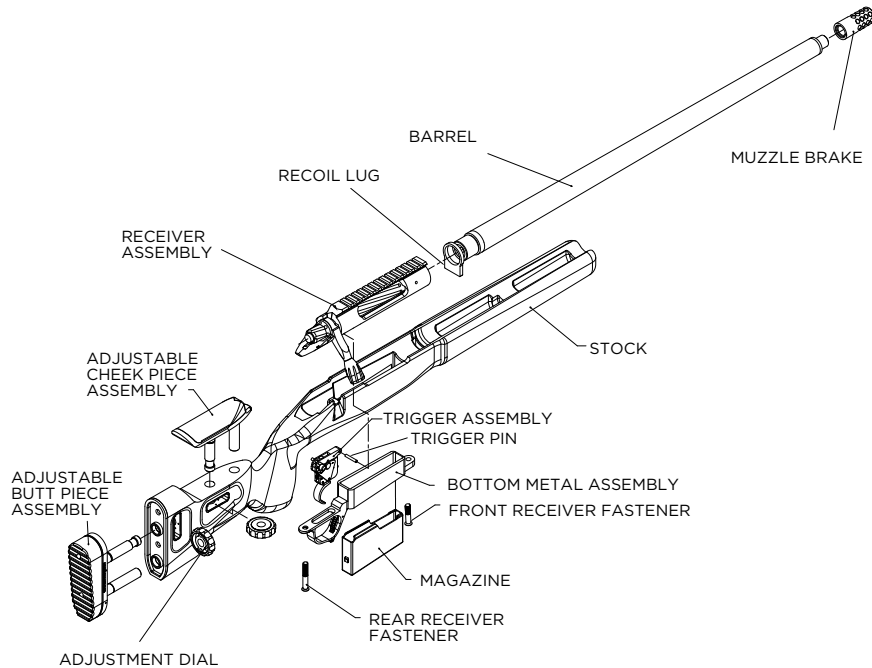
- 1 Point rifle in a safe direction.
- 2 Ensure rifle chamber is empty.
- 3 Align locking lugs on bolt with receiver and push the bolt forward.

NOTE: There is a slotted groove in one lug. It should line up with the corresponding groove on the receiver.

- 4 Rotate bolt to closed position.

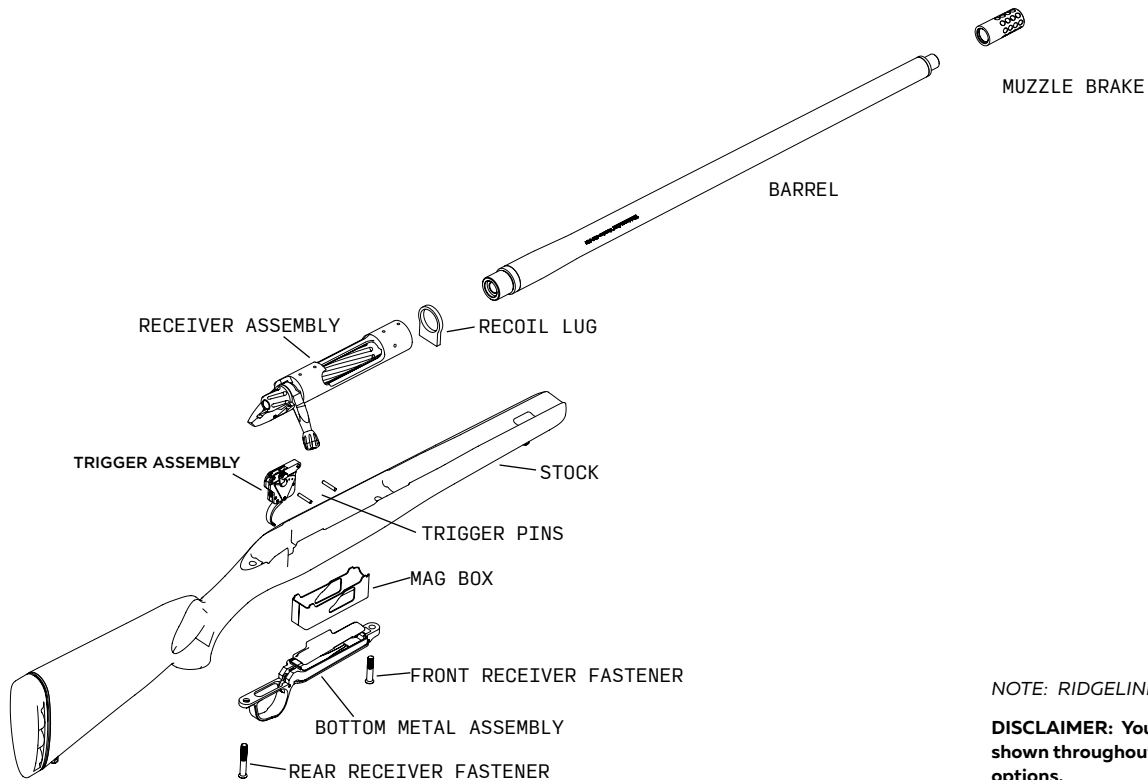
- 1- BOLT RELEASE
- 2- BOLT RELEASE SPRING
- 3- BOLT RELEASE PIN
- 4- EJECTOR PLUNGER
- 5- EJECTOR PLUNGER SPRING
- 6- EJECTOR PLUNGER PIN
- 7- FIRING PIN
- 8- FIRING PIN SPRING
- 9- FIRING PIN CROSS PIN
- 10- EXTRACTOR
- 11- EXTRACTOR PIN
- 12- EXTRACTOR SPRING
- 13- RECEIVER
- 14- BOLT
- 15- FIRING PIN COLLAR
- 16- BOLT SHROUD
- 17- BOLT KNOB
- 18- TRIGGER PIN
- 19- TRIGGER ASSEMBLY





- MUZZLE BRAKE
- BARREL
- RECOIL LUG
- RECEIVER ASSEMBLY
- STOCK
- ADJUSTABLE CHEEK PIECE ASSEMBLY
- TRIGGER ASSEMBLY
- TRIGGER PIN
- BOTTOM METAL ASSEMBLY
- ADJUSTMENT DIAL
- MAGAZINE
- REAR RECEIVER FASTENER
- FRONT RECEIVER FASTENER

NOTE: TFM MODEL SHOWN



NOTE: RIDGELINE MODEL SHOWN

DISCLAIMER: Your rifle may differ from those shown throughout the manual, depending on options.

SAFE STORAGE

Always make sure both the chamber and magazine are unloaded before placing the firearm in storage. Store your rifle in a securely locked gun safe. If you do not have a gun safe, remove the bolt from your rifle and store it separately from the rifle in a secure location. Store your ammunition in a separate location from the rifle and separate from the bolt assembly.

WARNING: ALWAYS CHECK TO MAKE SURE YOUR FIREARM IS UNLOADED. ALWAYS STORE YOUR FIREARM IN A SAFE LOCATION SEPARATE FROM THE AMMUNITION.

WARNING: IF YOU HAVE MORE THAN ONE SIMILAR FIREARM, MAKE SURE THAT YOU SPECIFICALLY IDENTIFY THE REMOVED ASSEMBLY WITH ITS ORIGINAL FIREARM AS THE ASSEMBLIES MAY NOT BE INTERCHANGEABLE.

LONG TERM STORAGE

Clean your rifle well and apply a good quality preservative.

It is at least theoretically possible for some springs to take a set during prolonged storage. To preclude this possibility, Christensen Arms offers the following recommendations regarding long term storage of your firearm.

Clear all cartridges from your firearms

Remove the detachable magazine if applicable

Remove the bolt and store separately

It is always best to store your magazines empty

When you're taking your firearm out of long term storage, remove the preservative and lubricate as stated elsewhere in this manual.

RETURN AND REFUND POLICIES

If you purchased a product from Christensen Arms and are not completely satisfied with it, you can request an RMA (Return Merchandise Authorization) Form from Christensen Arms within 30 days from the shipping date of your order. We do not accept returns if an RMA is not requested from us within 30 days from the original shipment.

Christensen Arms contact information for returns:

Mailing Address:
Christensen Arms
Atten: Sales
PO Box 142
550 North Cemetery Rd
Gunnison, UT 84634
Toll Free (888) 517-8855
www.christensenarms.com

YOU MUST get your RMA from Christensen Arms prior to returning the merchandise and receiving a refund. Include your original invoice (from the Christensen Arms dealer) with your return and a letter explaining the reason for your return. Ship

via UPS, Fed Ex or US Mail; Insured and Return Receipt Requested. Credit will be issued for the item, minus full shipping charges and a 15% restocking fee.

ALL original materials must be included in your return. The cost of any materials NOT included will be deducted from the refund.

Shipping costs are not refundable.

Merchandise must be in new resalable condition, in the factory original packaging and must include instructions, owner's manual, and all accessories provided by the manufacturer. Our returns specialist will inspect all returns.

Returns must be received within 14 days from the date the RMA is issued. Partial returns and/or damages will not receive a full credit. Items damaged through "wear and tear" or due to return shipping will receive partial or no credit at the discretion of Christensen Arms.

WARNING: IT IS THE OWNER'S RESPONSIBILITY TO ASSURE THAT ALL PARTS PURCHASED FROM CHRISTENSEN ARMS ARE CORRECTLY FITTED AND INSTALLED. IMPROPER FITTING OR INSTALLATION MAY RESULT IN INJURY, DEATH, OR DAMAGE TO THE FIREARM.

If you have any questions about the firearm, or have any suggestions for improvements, please contact us at:

Christensen Arms
PO Box 142
550 North Cemetery Rd
Gunnison, Ut 84634
Toll Free (888) 517-8855
www.christensenarms.com

WARRANTY AND GUARANTEE INFORMATION

WARRANTY

CHRISTENSEN ARMS warrants that the enclosed firearm was originally manufactured free of defects in material, workmanship and mechanical function.

For the lifetime of the original purchaser, CHRISTENSEN ARMS agrees to correct any defect in the firearm for the original purchaser by repair, adjustment or replacement, at CHRISTENSEN ARMS' sole option, with the same or comparable quality components (or by replacing the firearms at CHRISTENSEN ARMS' option), subject to the limitations detailed below.

This limited warranty is null and void if the firearm has been misused; damaged (by accident or abuse); fired with hand-loaded, reloaded or other wise improper ammunition; fired with an obstruction in the barrel; damaged through failure to provide reasonable and necessary maintenance as described in the manual accompanying the firearm; or if unauthorized repair or any alteration, including of a cosmetic nature, has been performed on the firearm by a party other than CHRISTENSEN ARMS.

This limited warranty does not apply to normal wear and tear of any parts.

Subject to the foregoing, this limited warranty confers the right to have the covered firearm or its parts repaired, adjusted or replaced exclusively upon the original purchaser, which right is not transferable to any other person.

No implied warranties of any kind are made herein and this warranty does not apply to any accessory items attached or appurtenant to the firearm.

In no event shall CHRISTENSEN ARMS be liable for any incidental or consequential damages arising from or in connection with this limited warranty.

To request repair, adjustment or replacement of the firearm according to this limited warranty, return the firearm unloaded and freight prepaid to:

CHRISTENSEN ARMS
550 North Cemetery Road
Gunnison, UT 84634

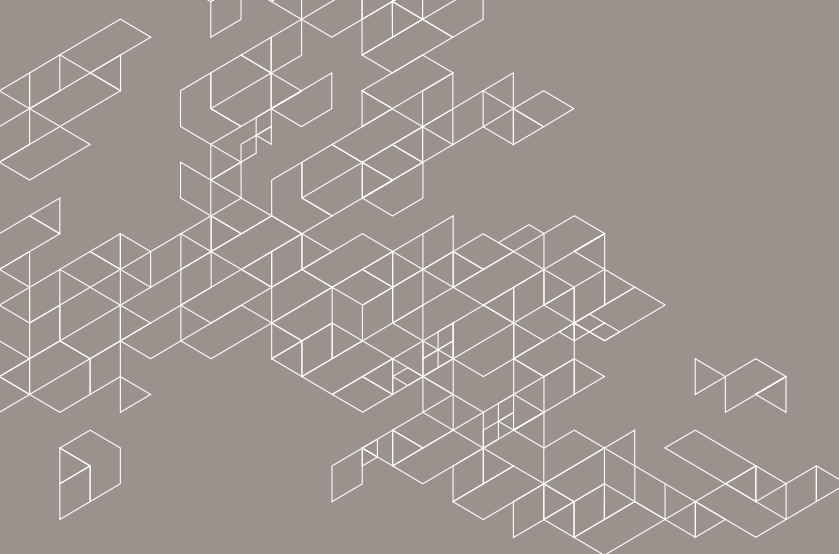
GUARANTEE

Your Christensen Arms rifle comes with an MOA accuracy guarantee. Refer to MOA guarantee for the respective models discussed earlier in manual. Customer is responsible to ensure proper break-in of the firearm during the warranty period, select appropriate ammunition, ensure proper lubrication and use proper conditions.

DISCLAIMER

Christensen Arms® delivers a firearm free of defects. Our guarantee requires that firearm owners safely handle, properly break in, and properly maintain the firearm. Improper use or owner modifications to the firearm voids the guarantee and warranty.





ADDRESS
550 N CEMETERY RD
GUNNISON, UT
84634

EMAIL
SALES@
CHRISTENSEN
ARMS.COM

LOCAL
435
528
7999

FREE
888
517
8855

FAX
435
528
5773

CHRISTENSENARMS.COM