

## PAK&RAK



**ATTENTION: BEFORE REMOVING THIS FIREARM FROM ITS PACKAGE READ & UNDERSTAND WARNINGS, INSTRUCTIONS AND PRECAUTIONS IN THIS USER'S MANUAL**



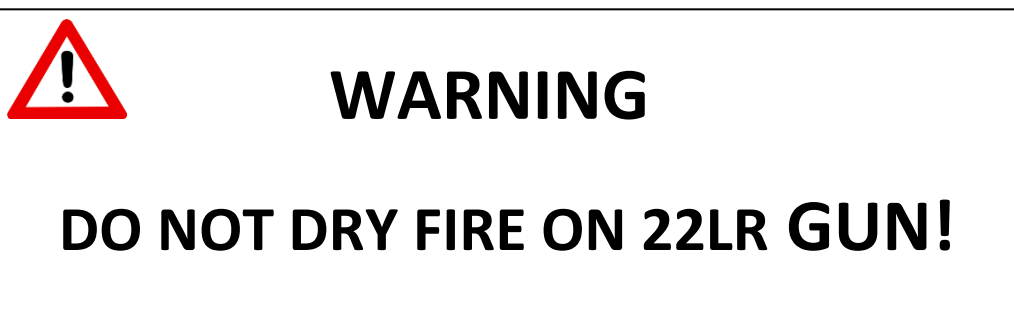
NASGW

USA  
Shooting



**OFFICIAL SPONSOR**

<b>WARNINGS.....</b>	<b>3</b>
<b>SAFETY RULES.....</b>	<b>4</b>
<b>IDENTIFYING MARKINGS.....</b>	<b>5</b>
<b>AMMUNITION.....</b>	<b>6</b>
<b>PAK &amp; RAK</b>	
<b>DESCRIPTION.....</b>	<b>8</b>
<b>HANDGUARD'S ADJUSTMENTS.....</b>	<b>10</b>
<b>SIGHT'S ADJUSTMENTS.....</b>	<b>11</b>
<b>LOADING.....</b>	<b>13</b>
<b>SHOOTING/FIRING.....</b>	<b>16</b>
<b>UNLOADING.....</b>	<b>16</b>
<b>DISASSEMBLY AND ASSEMBLY.....</b>	<b>17</b>
<b>CLEANING.....</b>	<b>20</b>
<b>LUBRICATION.....</b>	<b>21</b>
<b>WARRANTY CONDITIONS.....</b>	<b>22</b>



## **WARNINGS**

The manufacturer is not responsible for damages to objects caused by misuse of the gun or for injuries to persons or animals, or in case of death, caused voluntarily or involuntarily by the gun user.

The manufacturer is not responsible for injuries caused by poor maintenance, misuse of the gun, unauthorized or improper modifications.

The manufacturer declines responsibility for the indirect consequences of any injuries and / or death of persons or animals, damage to objects caused by use of the gun or by primer explosion, by bullet's ricochet, or unsafe loading practices and / or procedure.

Read the entire manual and learn the proper use of the gun without live ammunition. It is important that you understand the proper use of this product.

The life of the people close to you may depend on your safe behaviour.

If the manual is not clear, please contact the dealer where you bought the gun or call the distributor or the manufacturer by using the contact information provided within this manual.

**The manufacturer declines any responsibility for misuse of the firearm. In case of alteration of the firearm, The manufacturer declines any civil and penal responsibility and will not refund any damage.**

**QUALITY INSPECTION:** Every firearm is thoroughly inspected by the manufacturer, for function and cosmetic blemish, prior to shipment.

To guarantee the gun's safety, all weapons produced in the Italian facility are sent to the National Proof House of Gardone Val Trompia – BRESCIA – ITALY for proof testing, in compliance with Italian law. The Proof House tests the firearm with heavy loads then checks the barrel, chamber and headspace to make certain the firearm is safe for use with standard factory ammunition. The National Proof House will put their markings on the gun, certifying the gun is qualified and can be sold.

Guns produced in our US facility and other facilities are scrupulously tested in on premises.

### **Warning!**

**Discharging firearms in poorly ventilated areas, cleaning firearms, or handling ammunition may result in exposure to lead or other substances known to the State of California to cause birth defects, reproductive harm, and other serious physical injury. Have adequate ventilation at all times. Wash hands thoroughly after exposure.**

**ANY LEGAL DISPUTE WILL BE UNDER THE JURISDICTION OF A COURT IN THE STATE OF OHIO – USA, OR IN THE COURT OF BRESCIA – ITALY, AT OUR DISCRETION.**

## **SAFETY RULES**

1. Read the instructions carefully before use. Reading the manual and careful examination of the gun are fundamental to avoid any kind of problem.
2. Be aware that you are handling a firearm; therefore your knowledge and behaviour may affect your life and those of the people close to you.
3. Guns and ammunitions must be kept in separate places.
4. ALWAYS keep guns and ammunitions out of reach of children.
5. Store the gun in a clean, dry and airy place after use to avoid rust in mechanical parts that may cause serious problems in functioning after a period of inactivity.
6. The gun must ALWAYS be stored unloaded, ALWAYS check that the chamber is empty.
7. Keep away from open flame or heating sources.
8. Never leave a loaded gun unattended.
9. Never leave the weapon loaded, it may fall and cause injury and death. Always point the gun in a safe direction, and handle it as though it were loaded. This is especially important when loading and unloading the gun, and when handing it to someone else. Never take someone's word that it is unloaded. Always make sure the gun is unloaded before laying it down or handing it to someone else.
10. After use, clean and lubricate the inside of the barrel with appropriate oil. Grease or oil build up can cause excessive pressure and result in serious personal injuries. Before using the gun again, inspect the barrel and chamber to make certain that there are no obstructions in the bore. Remove any oil residue with rod and dry patch before shooting.
11. Accumulation of rust in the barrel can cause excessive pressures resulting in serious injury and may cause the explosion of the barrel. A rusted, pitted or eroded barrel should be replaced.
12. Before shooting ALWAYS check to ensure that the barrel is free of obstructions.
13. Never force a jammed action, this act could cause explosion of the round and consequent injury.
14. Use exclusively factory loaded ammunition of the caliber specified on the firearm barrel. Use of different calibers may cause serious personal injuries to you and to people close to you.
15. In case of misfire, manually extract the cartridge from the chamber. If firearm fails to fire when trigger is pulled, as a result of slow primer ignition (hangfire), keep muzzle pointed downrange for a minimum of 30 seconds. If the round does not fire, remove the magazine, clear the weapon and examine the ejected, unfired cartridge. If the indent from the firing pin is off centre, light or absent, take the gun to a competent gunsmith. If the indent appears normal compared to other rounds, assume a faulty round, separate from other cartridges, reload and continue shooting.
16. Do not attempt to re-use unexploded ammunitions.
17. NEVER modify any parts of your gun. Any alteration may cause serious personal injury and voids the warranty.
18. Only a qualified gunsmith may service the gun for repair or serious maintenance.
19. Pay great attention during transportation and use. Mechanical safety devices can fail. Developing intelligent, good safety habits is the best way to prevent accidents.
20. Never rest your finger on the trigger until the very moment you wish to shoot. Always keep the safety on until you are ready to safely shoot at an intended target (see safety features).  
Note: Safety devices on guns are extras and are not a substitute for your proper and safe handling practices.
21. ALWAYS keep the gun unloaded when transporting it from home to the shooting areas. Carefully check that cartridge chamber is empty.
22. When you walk around with the gun in a shooting area, ALWAYS keep the muzzle pointed in a safe direction.
23. NEVER run with a loaded gun, don't cross any obstacle (fences or water courses, etc.) or walk where there is any possibility of slipping or falling without having your firearm unloaded and in safety position.

24. When selecting a place to shoot, always be absolutely sure of your target and the area behind it before you touch the trigger, making sure there is an adequate backstop which will stop and contain bullets. A bullet can travel through or past your target with a range up to 1 1/2 miles. If you have any doubt, do not shoot.
  25. Never shoot against a solid surface or in a pool of water, the projectiles could ricochet and shoot toward any direction. Don't shoot up into the sky.
  26. Keep all bystanders behind you, standing beside a shooter is not a safe position. Make sure all other shooters and bystanders are well away from the ejection port.
  27. Do not smoke while handling, loading or shooting any ammunition, especially black powder. Keep black powder in a closed container at all times, reclosing the container after each and every use.
  28. Never drink alcoholic beverages or take any drugs before or during shooting, as this not only constitutes criminal disregard for your safety and that of others, but will seriously impair your judgment and vision. Never use a gun while you are taking medication unless you have checked with your doctor to ensure your fitness to handle the gun safely.
  29. Always wear and encourage others near you to wear proper ear protection when shooting, especially on a range since the noise from your gun, and other guns close to you, could result in permanent hearing loss.
  30. Always wear protective shooting glasses to protect your eyes from injury by gun powder, gas, lubricant, dirt or metallic particles, carbon residue, sparks or other debris.
  31. Wash hands thoroughly after shooting and handling firearms to remove any unwanted residues.
  32. NEVER leave the loaded firearm or the loaded magazine in the sun
  33. By replica firearms there is no modern safety. In this case you must pay even more attention to safety rules.
- REMEMBER: No mechanical safety device is infallible, always keep the barrel pointed in a safe direction.

**The user is responsible for injuries or damages caused to him or to other persons.**

**COMPLETE KNOWLEDGE OF YOUR FIREARM CAN MAKE THE DIFFERENCE.**

## **IDENTIFYING MARKINGS**

Every gun we produce has a serial number that is marked on the receiver/frame. Close to the serial number you will also find the manufacturers information with the model name and caliber marked either on the frame as required by law.

**These markings must not be removed from the firearm for any reason**

## **AMMUNITION**

### **NOTICE**

WE SPECIFICALLY DISCLAIM RESPONSIBILITY FOR ANY DAMAGE OR INJURY WHATSOEVER OCCURRING IN CONNECTION WITH, OR AS THE RESULT OF, THE USE OF FAULTY, OR NONSTANDARD, OR "REMANUFACTURED" OR HANDLOADED (RELOADED) AMMUNITION, OR OF CARTRIDGES OTHER THAN THOSE FOR WHICH THE FIREARM WAS ORIGINALLY CHAMBERED.

- Death, serious injury, and damage can result from the use of wrong ammunition, bore obstructions, powder overloads, or incorrect cartridge components.
- Use only ammunition specifically recommended for your firearm (the caliber is specified on the barrel/cylinder/frame).
- Always use cartridges whose length is equal or inferior to that indicated on the barrel.
- Use only high quality, original factory manufactured ammunition whose pressure cannot be higher than the one stated by S.A.A.M.I. or C.I.P.
- Your gun has been designed for ammunition of a specific caliber – do not alter the barrel, chamber, caliber for which your gun was designed.
- Be sure you never mix ammunition.
- Firearms may be severely damaged, and serious injury to the shooter or others may result from any condition causing excessive pressure inside the chamber or barrel during firing.

Excessive pressure can be caused by obstruction in the barrel, propellant powder overloads, or by the use of incorrect or defectively assembled cartridges. In addition, the use of a dirty, corroded or damaged cartridge can lead to a burst cartridge case and consequent damage to the firearm and personal injury from the sudden escape of high-pressure propellant gas within the firearm's mechanism.

Immediately stop shooting and check the barrel for a possible obstruction whenever:

- You have difficulty in, or feel unusual resistance in chambering a cartridge
- A cartridge misfires (does not go off)
- The mechanism fails to extract a fired cartridge case
- Unburned grains of propellant powder are discovered spilled in the mechanism
- A shot sounds weak or abnormal

In such cases it is possible that a bullet is lodged part way down the barrel. Firing a subsequent bullet into the obstructed barrel can damage the firearm and cause serious injury to the shooter or bystanders.

Bullets can become lodged in the barrel:

- If the cartridge has been improperly loaded without propellant powder, or if the powder fails to ignite. Ignition of the cartridge primer alone will push the bullet out of the cartridge case, but usually does not generate sufficient energy to expel the bullet completely from the barrel.
- If the bullet is not properly seated tightly in the cartridge case. When such a cartridge is extracted from the chamber without being fired, the bullet may be left behind in the bore at the point where the rifling begins. Subsequent chambering of another cartridge may push the first bullet further into the bore.

If there is any reason to suspect that a bullet is obstructing the barrel, immediately unload the firearm and look through the bore. It is not sufficient to merely look in the chamber. A bullet may be lodged some distance down the barrel where it cannot easily be seen. If a bullet is in the bore, do not attempt to shoot it out by using another cartridge, or by blowing it out with a blank or one from which the bullet has been removed. Such techniques can generate excessive pressure, damage the firearm and cause serious personal injury. If the bullet can be easily removed with a wood or brass dowel, (using hand pressure only, never "hammer" a bullet lodged in the bore) clean any unburned powder grains from the bore, chamber and mechanism before resuming shooting. If the bullet cannot be dislodged by tapping it with a cleaning rod, take the firearm to a gunsmith.

Dirt, corrosion, or other foreign matter on a cartridge can impede complete chambering and may cause the cartridge case to burst upon firing. The same is true of cartridges which are damaged or deformed.

- Don't oil cartridges, and be sure to wipe the chamber clean of any oil preservative before commencing to shoot. Oil interferes with the friction between cartridge case and chamber wall that is necessary for safe functioning, and subjects the firearm to stress similar to that imposed by excessive pressure.
- Use lubricants liberally on the moving parts of your firearm. Avoid excessive spraying of any aerosol gun care product, especially where it may get on ammunition. All lubricants, and aerosol spray lubricants in particular, can penetrate cartridge primers and cause misfires. Some highly penetrative lubricants can also migrate inside cartridge cases and cause deterioration of the propellant powder; on firing, the powder may not ignite. If only the primer ignites, there is a danger that the bullet may become lodged in the barrel.

**The use of reloaded or improper ammunition voids the warranty.**

## **RAK 9 OR RAK22 DESCRIPTION**

This NEW rifle is chambered in .22 LR and 9 mm. It's developed by our company, based on the AK platform. Our "design" recreates the original one, but works with two economical and modern calibers (.22 LR or 9 mm). These guns are semi-automatic rifles with a recoil operated system. Designed as a extension of the very famous AK 47 assault rifle, the rifle preserves all the original AK shapes. All the modifications imposed by the new operating system and the new caliber, were made by modifying, as little as possible, the original shape.



## **TECHNICAL CHARACTERISTICS**

CODE	CALIBER	BARREL LENGTH		TOTAL LENGTH		GROOVES AND TWIST RATE		WEIGHT		SHOTS
		IN	CM	IN	CM			KG	LB	
500.103	22 LR.	17.3	43.8	35	87.5	6	1/16 in	3	6.6	10
500.154	9 LUGER	17.3	43.8	35	87.5	6	1/16 in	3	6.6	10
500.201	9 X21	17.3	43.8	35	87.5	6	1/16 in	3	6.6	10



## **PAK DESCRIPTION**

This pistol is a 9mm caliber chambered model, developed by our company, based on the generous AK platform. It is a short barreled version, semi-automatic, recoil operated system weapon. Designed as a caliber extension in 9mm of the very famous AK 47 assault rifle, the pistol preserves as much of the AK shapes. All the modifications imposed by the new operating system and the new caliber, were made by modifying, as little as possible, the original shape. The lower hand guard/magazine adaptor is a part mounted with the original shape and dimensions on the receiver's window, which holds an adaptor for the desired magazine: you can use different types of magazines replacing the adaptor with the one you need. In addition, the Picatinny rails on the pistol are suitable to mount different accessories.



## **TECHNICAL CHARACTERISTICS**

CODE	CALIBER	BARREL LENGTH		TOTAL LENGTH		GROOVES AND TWIST RATE		WEIGHT		SHOTS
		IN	CM	IN	CM			KG	LB	
500.167	9 LUGER	6.30	16.0	14,2	36	6	1/16 IN	2,5	5,5	10
500.195	9X21	6.30	16.0	14,2	36	6	1/16 IN	2,5	5,5	10

## BREAK-IN PERIOD

Before firing the pistol for the first time, field strip and clean the firearm following the proper procedures. For a proper break-in of the firearm shoot 200-300 rounds of high-velocity, quality factory ammunition, cleaning and lubricating the gun every 150-200 rounds

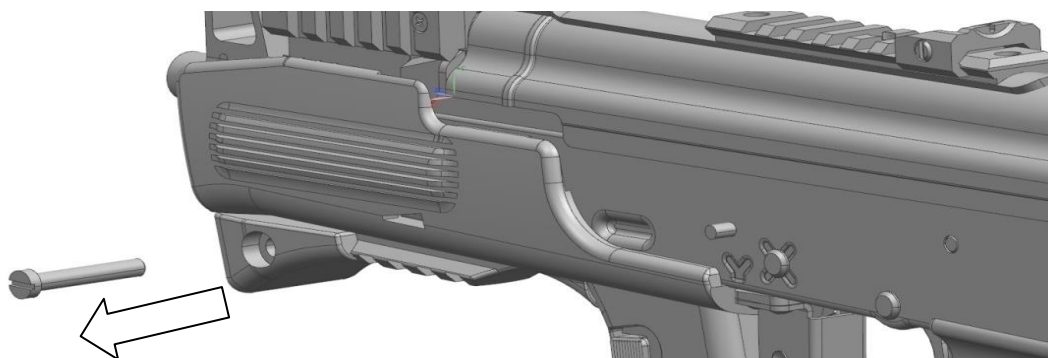
### ATTENTION:

**For best performance of the RAK 22 LR we recommend the use of quality .22 LR ammunition with a minimum velocity of 335 m/s ( 1100 f/s)  
Please allow 100-150 rounds for initial “Break-In” period.**

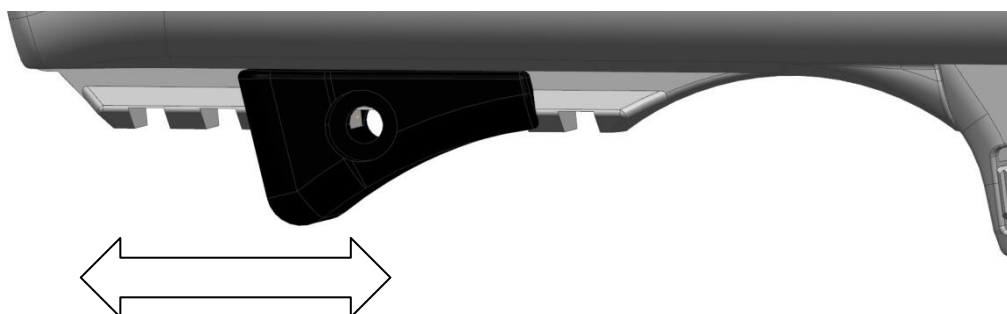
## HANDGUARD’S ADJUSTMENTS FOR PAK

The PAK’s hand guard position is adjustable as follows:

1. Unscrew and remove the “PAK’s hand guard screw”



2. Move the hand guard's extension in the desired position



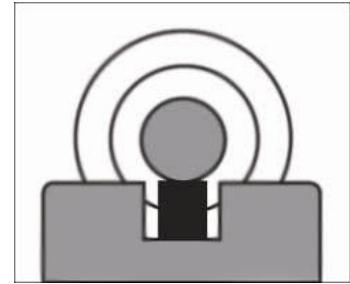
3. Screw “PAK’s hand guard screw”

## FRONT SIGHT'S ADJUSTMENTS for PAK and RAK

### AIMING AT A TARGET

This is the correct alignment: the front sight should be seen exactly in the middle of the rear sight slit, and have the same height.

The top line of the sights should be leveled with the bottom of the aim.



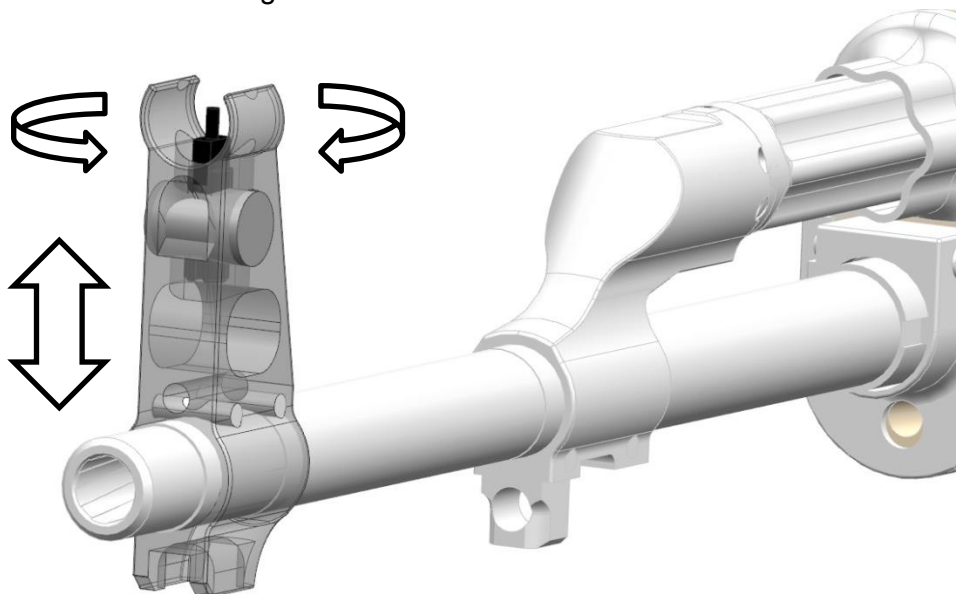
### FRONT SIGHT'S ADJUSTMENTS

The PAK and RAK's front sight is adjustable in elevation and windage.

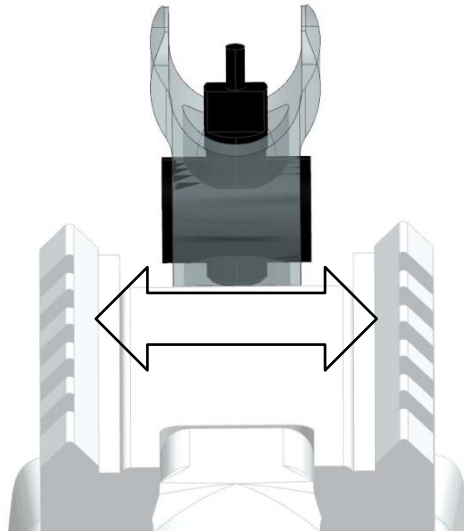


NOTE: to adjust your front sight, the use of appropriate tool is required

1. To raise your impact's point, screw the "elevation sight screw"; to lower your impact's point, unscrew "the elevation sight".



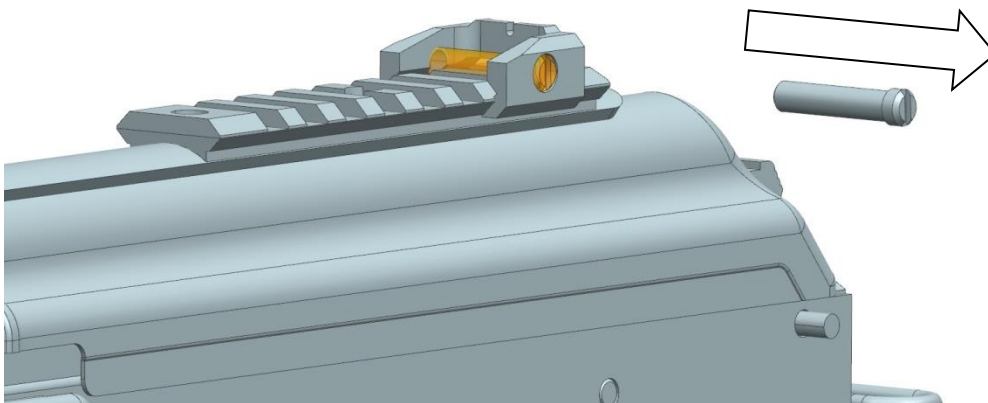
2. To adjust your impact's point to the "RIGHT", shift the "windage sight" to the left; to adjust your point of impact to the "LEFT", shift the "windage sight" to the right.



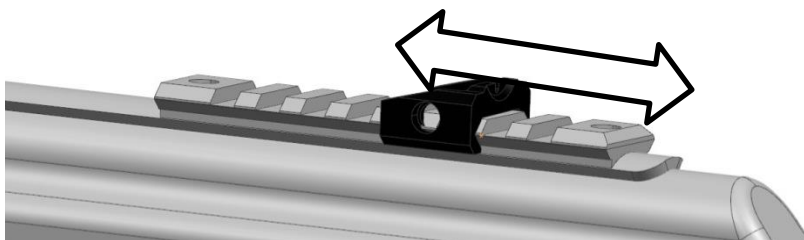
### REAR SIGHT'S ADJUSTMENTS for PAK

The Pak rear sight is adjustable as follows;

1. Unscrew and remove the "rear sight's screw"



2. Move the rear sight in the desired position

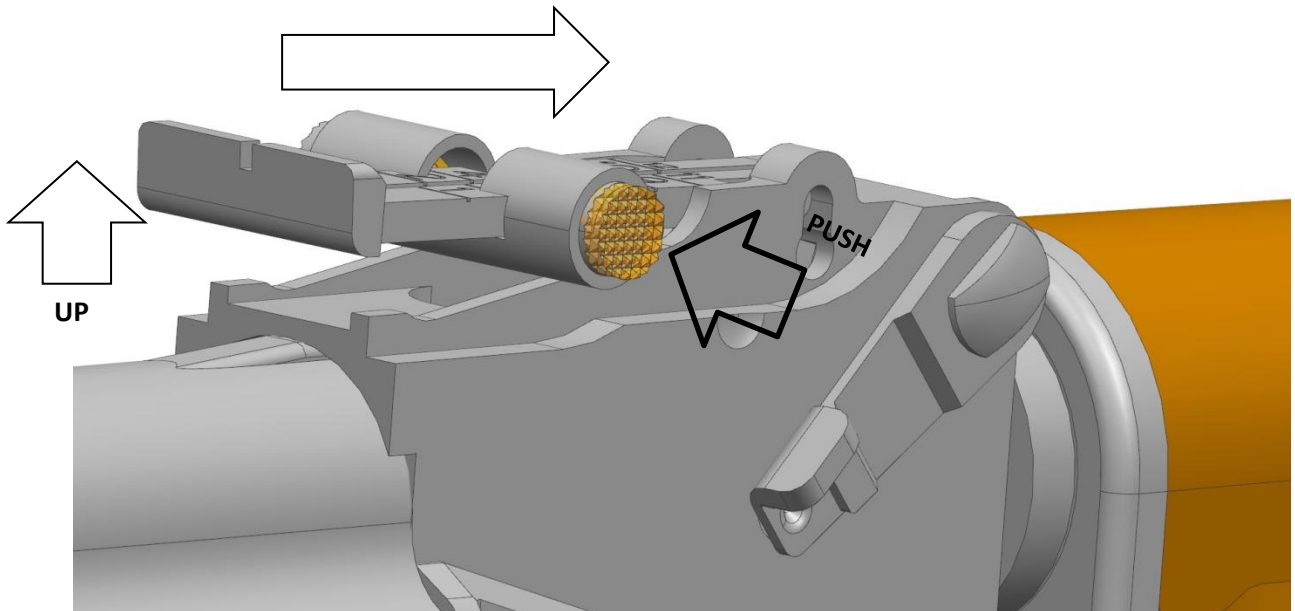


3. Screw "Pak's handguard screw"

## REAR SIGHT'S ADJUSTMENTS for RAK

The rear sight is adjustable in elevation:

1. Push the rear sight's button;
2. While keeping pushed the button, shift the slide forward to raise your impact's point or shift backwards to lower your impact's point

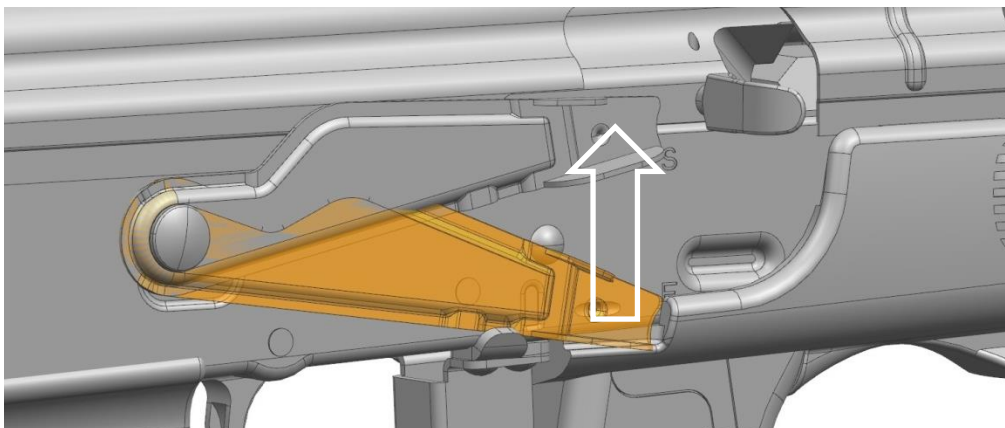


## LOADING

### **WARNING:**

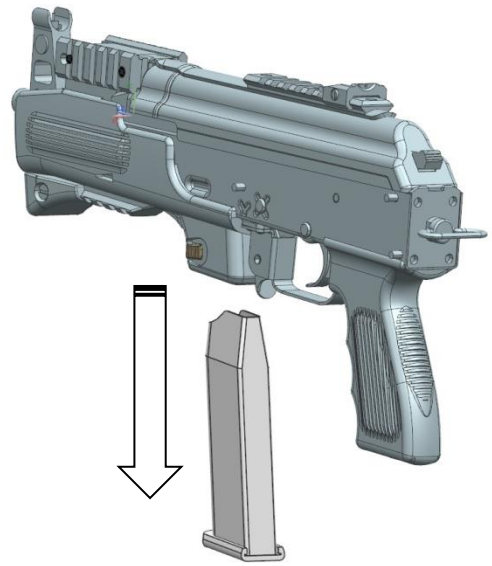
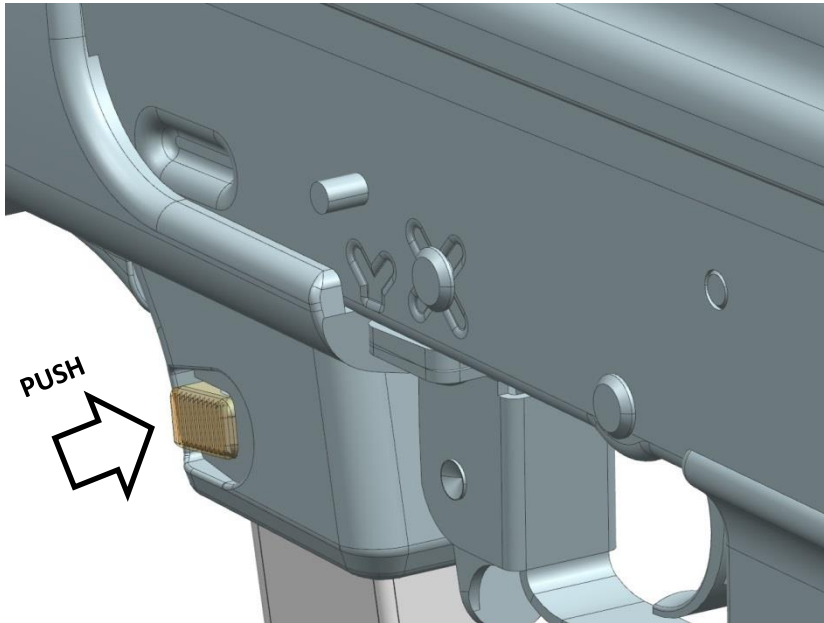
Keep muzzle pointed in a safe direction and follow all safety procedures any time. Practice these steps with an unloaded gun or dummy ammo until you are completely familiar and comfortable with the procedures. Use live ammo only when you are prepared to shoot. Always use clean, dry, high quality ammunitions (of the proper caliber) that meet industry performance standards.

1. With an empty magazine in the rifle, put the gun in a safety position: pull up the safety's lever from letter F to letter S.



2. PAK9 and RAK9

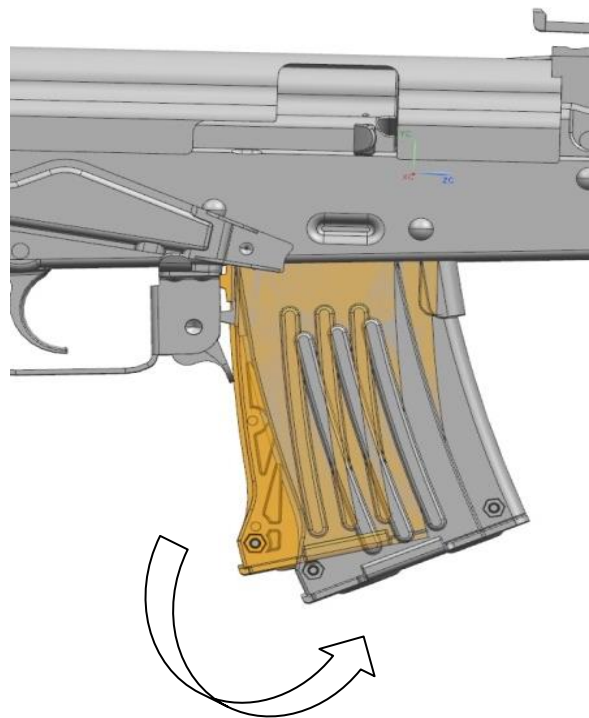
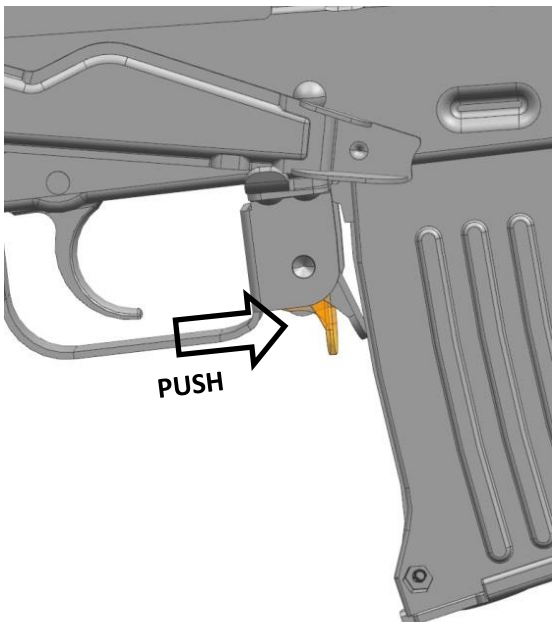
To release the magazine, push the magazine's button.



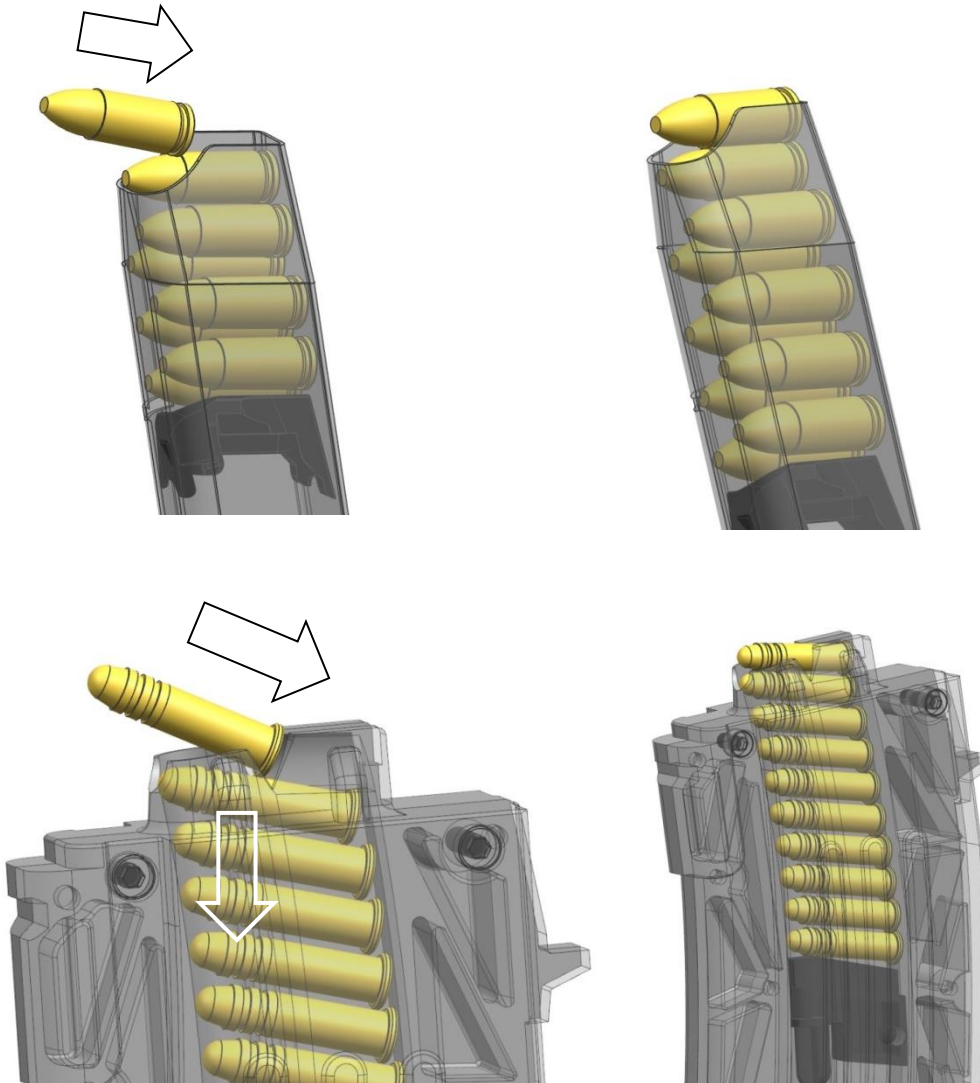
3. RAK 22

To remove the magazine, push the magazine's button.

While keeping pushed the button, rotate anti-clockwise and pull out the magazine to remove it



- To load the magazine, place the round at the top (open end), push down and backwards making sure that the back of the cartridge is facing the rear of the magazine. Repeat this procedure until magazine is fully loaded (10 rounds). Tap the back side of the magazine against the palm of your hand to insure the proper alignment of the cartridges



- For RAK 22:**  
Place the magazine in the rifle: rotate clockwise and pull up the magazine to engage it. You will hear a “clack” when it’s done properly and the magazine catch engages.
- For RAK 9 and PAK 9**  
Place the magazine in the rifle and pull up the magazine to engages it. You will hear a “clack” when it’s done properly and the magazine catch engages.
- To feed a round: point the pistol in a safe direction. Without touching the trigger, push down the lever (A) from letter S to letter F, pull back the bolt. Allow the bolt to go forward without obstruction. Keeping your hand on the bolt may cause a misfeed, or stop the bolt from fully closing.

## **SHOOTING/FIRING**

Always wear eye and hearing protection when shooting.

1. Point muzzle in a safe direction.
2. Load rifle as previously directed.
3. Grip the frame firmly.
4. Place index finger on trigger, take aim and gently squeeze rearward until hammer is released and falls forward striking the firing pin. Be prepared for loud noise and recoil.

**Note:** This is a semi-automatic rifle and will cock the hammer each time the bolt moves to the rear, ejecting the empty cartridge and chambering a new round. It will continue to fire with each subsequent pull of the trigger until all rounds in the magazine have been fired.

5. Continue to fire until magazine is empty and bolt is locked open.
6. If all rounds have not been fired and you wish to stop shooting,

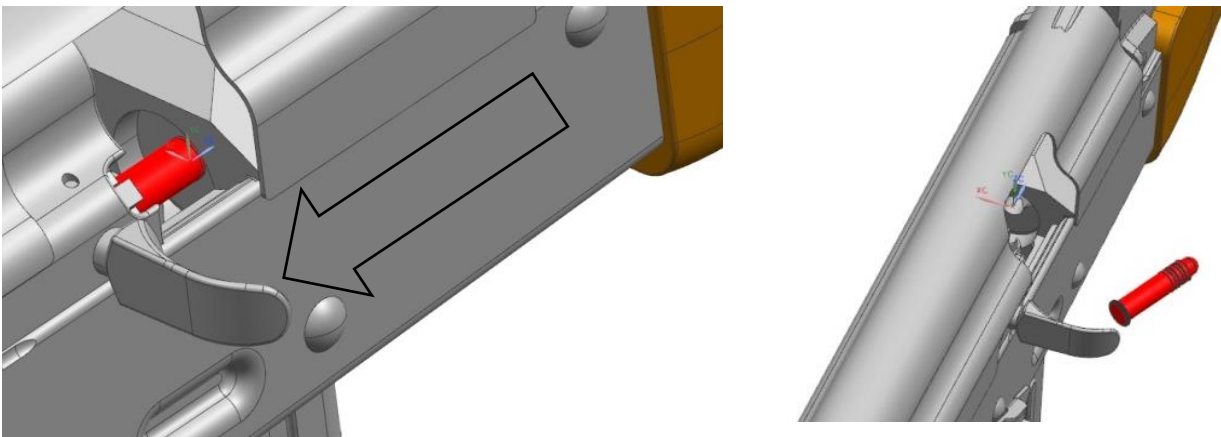
Follow procedures for unloading as follows:

### **UNLOADING**

#### **WARNING:**

Keep muzzle pointed in safe direction and follow all safety procedures at all times. Practice these steps with an unloaded gun or dummy ammo until you are completely familiar and comfortable with the procedures. Use live ammo only when you are prepared to shoot. Always use clean, dry, high quality ammunition (of the proper caliber) that meets industry performance standards

1. To take out the ammunition remained in the chamber pull backwards the bolt



2. While keeping backwards the bolt, press the magazine's button and remove the magazine as in step 2 of loading section according to your rifle.
3. Put in the chamber the safety flag
4. Release the bolt until 5 mm from chamber and pull the trigger



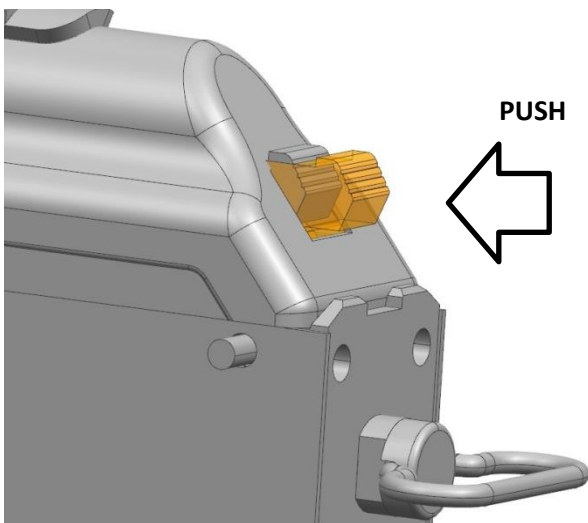
5. Release the bolt so to have a gun in a safety position

**Remember to always unload the magazines: they should NEVER be left loaded for any length of time.**

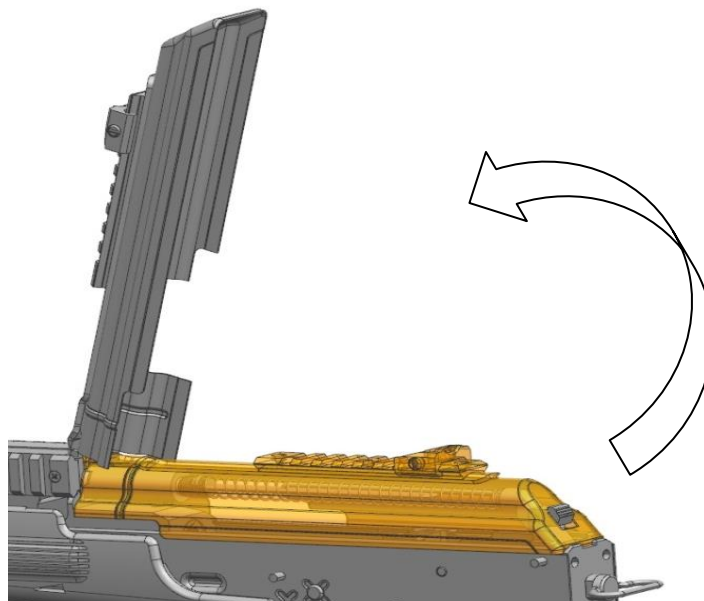
### **DISASSEMBLY AND ASSEMBLY for PAK and RAK**

Clean the gun after every use and when exposed to dirt, sand, etc. When not in use, store in a clean dry location.

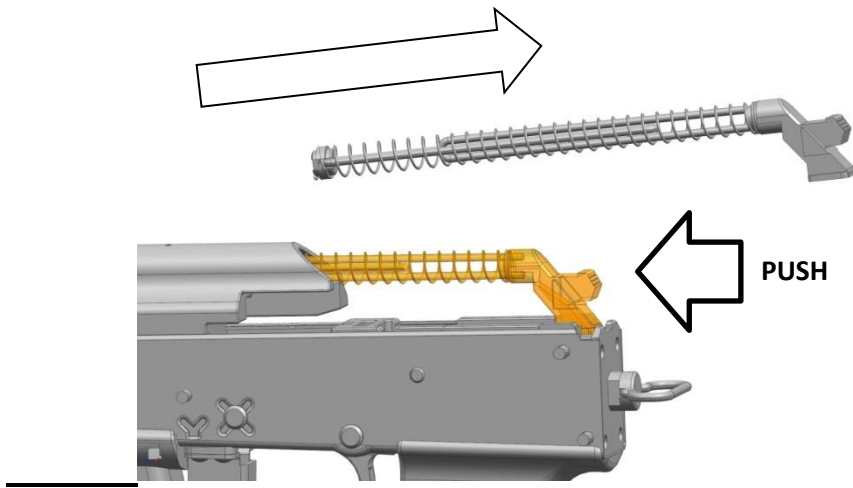
1. With the rifle unloaded, the magazine removed and the hammer down, push the cover's button



2. While keeping pushed the cover's button, open the cover

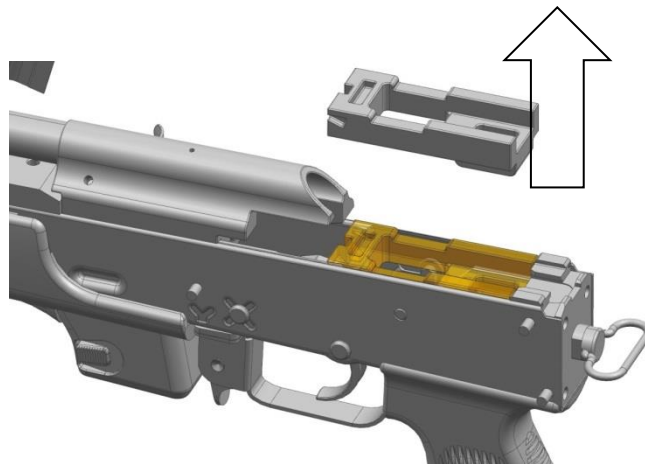


3. Push the cover's button towards the front of gun in order to unlock the recoil spring group and remove it

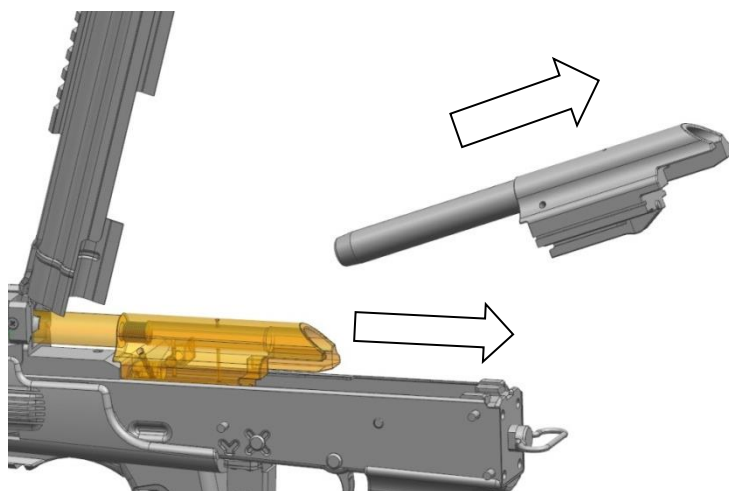


**Note: handle with care and hold firmly the recoil spring assembly during this operation. The recoil spring is tensioned, it can expand and can cause injury.**

4. Take out the buffer

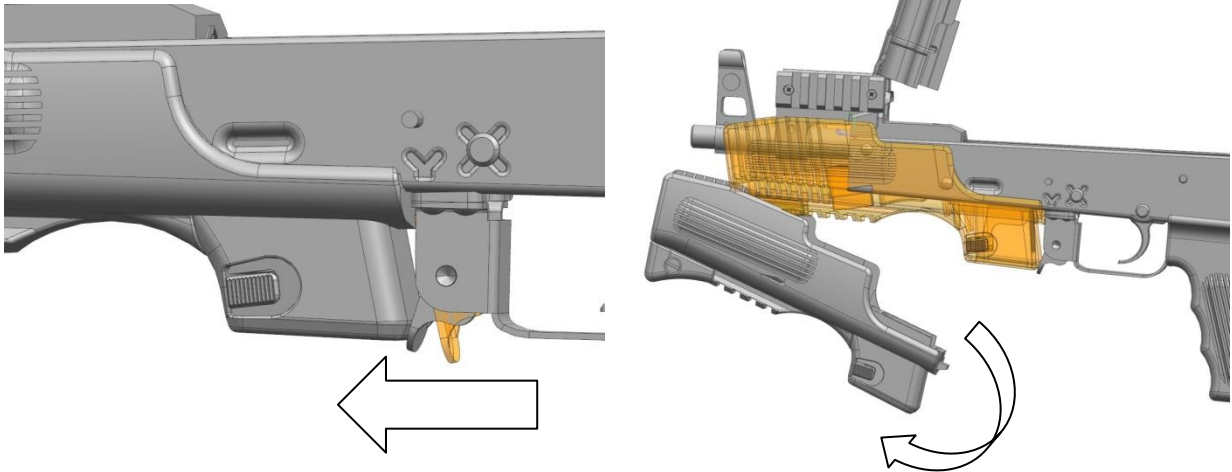


5. Pull rear the bolt in order to remove it



## 7. FOR PAK

- a. push the hand guard's button



- b. While keeping pushed the handguard's button turn anticlockwise the handguard to remove it from gun

Note: This stage of disassembly is sufficient for you to clean the rifle or study the wear of the parts.

To replace worn/broken parts of the firing mechanism, the front or rear sights or the firing pin and extractor, we suggest to take your rifle to an authorized gunsmith.

**To assembly the gun follow the operating procedures in way inverse**

## **CLEANING**

**Attention: Careful and detailed cleaning of this firearm is essential to guarantee its safety and proper function.**

This product should be cleaned after every use and when exposed to dirt, sand, etc. When not in use, clean at least twice for year. A careful and scrupulous ordinary clearing of the firearms is essential to guarantee its safety and long life. We recommend to clean the weapon at least after shooting 200/300 shots.

- Every time you use your gun it is advised to clean it in order to remove all corroding agents (humidity, powder or lead residues etc.) which can in time alter a few parts.
- In order to perform a standard cleaning, it is sufficient to utilize a good solvent, cleaning oil, and a little brush.
- For a deeper cleaning, please contact your local gunsmith.

### **WARNING:**

**Always use a cleaning rod from the chamber end of the barrel.**

1. Disassemble pistol as described in dedicated section.
2. Run a wet patch through the bore. Let soak a few minutes. (Always read the manufacturers' directions of the bore cleaner you are using.)
3. Run a dry patch through to remove loose crud/deposits.
4. Run a wet bore brush through the chamber end of the barrel a few times.
5. Run a dry patch to remove the dirt.
6. Repeat steps 4 and 5 a few times until the patch comes out clean.
7. Lightly oil the barrel. NOTE: Run a dry patch through the barrel before firing to remove oil.
8. Wipe off all dirt on all bearing surfaces on bolt and frame.
9. Clean slides face and all parts (an old toothbrush or similar nylon brush works well).
10. Follow lubrication directions before reassembling.

## **LUBRICATION**

With the rifle disassembled, use a quality gun oil (grease is not recommended). If oil contains Teflon be sure to shake well before using, because the Teflon settles at the bottom when is not used for a lot time.

Lubricate the following internal parts of the pistol:

- a. bolt and Frame rails (do not over oil)
- b. Hammer and trigger - Small drop.
- c. Barrel mouth.
- d. Behind and beneath the bolt.

Assemble the rifle, operate the bolt 5-6 times, and wipe off excess oil from gun. Ease the hammer down checking that the trigger engagement is working properly, **Do not dry fire!** Make sure that you store the gun with oil in the barrel and chamber, before shooting, run a dry patch through the barrel and inspect for any obstructions.

Moderation is the key: Not enough oil and your gun may not function properly and lead to undo wear. Too much oil and you risk attracting damaging dirt and debris to the bearing surfaces causing undo wear and potential functioning problems. All metal parts even Stainless Steel ones should be lightly lubricated. For long term storage or if you live in a particularly damp or salty area, a good quality rust preventative should be used.

## **ORDINARY & EXTRAORDINARY MAINTENANCE**

- Before conducting any sort of maintenance, make sure the firearm is unloaded.
- By “ordinary maintenance” we refer to measures the user should take to keep the gun in good working conditions.
- An “Extraordinary maintenance” implies the replacement of broken parts and therefore disassembling the gun. In this case only authorized personnel or a qualified gunsmith should handle the task.
- Also a long period of heavy use or inactivity requires an extraordinary maintenance; your gun should be taken to a qualified gunsmith to have the action disassembled for professional cleaning and lubrication.
- Your gunsmith will advise the best lubricant for the good maintenance of your gun.
- Do not leave oil residues when cleaning and lubricating your firearm.
- Make sure that the mechanism of the weapon is easy; if it starts to stiffen, or if corrosion is starting on some essential parts, you should bring your gun to competent, professional personnel.
- Do not use pure silicon or lanolin.
- If the gun has a problem that you cannot fix, **DO NOT FIRE**, send it to an authorized center for a check-up. If you try to fix it personally, you may put in serious danger yourself and the

people near you. Always pay great attention and handle the gun very carefully, in order to avoid terrible accidents which may change your life and that of others.

## **WARRANTY CONDITIONS**

The manufacturer guarantees that our products are scrupulously checked against defects in materials, workmanship and aesthetical and functioning problems.

In case you find a defect in one of our products, you should immediately contact the DEALER/SHOP/GUNSMITH where you have bought your gun. The seller will indicate the conditions for the repair, which will be either made directly by them or through our assistance.

ATTENTION: End users are not allowed to ship any gun directly to the manufacturer for repair, either under guarantee or against payment without a return authorization number. Transportation of weapons is strictly regulated and the documents which are required can solely be issued by companies with specific authorization.

1. The manufacturer guarantees, for a year after the purchase date, the free substitution of parts for defects which have been found out during use: wear of parts which shouldn't be subject to wear, or excessive wear of parts subject to wear. The customer will have to give evidence of the purchase date with an invoice or other valid proof.
2. In case the defect under cover of guarantee is not repairable, the manufacturer will provide for a free substitution of the weapon.

**THE MANUFACTURER RESERVES THE RIGHT OF DEFINING THE TYPE OF DEFECT OF THE FIREARM, AND THEREFORE TO STATE WHETHER THE DEFECT IS COVERED BY GUARANTEE**

The manufacturer's decision will be fair but final.

The manufacturer will be allowed a timing of 60 days for repair under guarantee, and 90 days for free substitution.

We strongly recommend that you keep the receipt of proof of purchase for your firearm.  
Proof of purchase will be required for repair under warranty.

**Should the manufacturer become aware of a defect of a product during the guarantee period, the defective part will be replaced free of charge.**

**The guarantee does not cover parts subject to wear and corrosion**

**ATTENTION:** delivery costs to and from the service center are not covered by the guarantee and will be charged to the customer.

**THE GUARANTEE IS VOID IN CASE:**

- Inadequate ammunition has been used (any ammunition but those commonly on sale, reloaded ammunition, different from caliber and specification indicated on the firearm barrel.
- The firearm failed to be provided proper maintenance and cleaning
- The firearm has been modified without our prior consent
- Unauthorized, inadequate or incorrect repairs have been carried out
- Non original spare parts were used
- Parts subject to wear and corrosion
- Damage (improper use of the gun by the user)
- Expired guarantee

**In the above cases the repair, if carried out, will be charged to the customer**

In case, for any valid reason, you do not have the possibility to obtain repair under guarantee at the shop where you bought the firearm, you may contact us directly; we will indicate a local dealer to support you with the repair file:

**USA - Phone: +1-937-835-5000**  
Email: [info@chiappafirearms.com](mailto:info@chiappafirearms.com)  
**CANADA (Murray Charlton) – Phone +1-778.426.3884**  
Email: [murray.mdcent@gmail.com](mailto:murray.mdcent@gmail.com)  
**REST OF THE WORLD - Phone: +39/030/9749065**  
Email: [info@chiappafirearms.com](mailto:info@chiappafirearms.com)

**This instruction manual must always follow the firearm,  
also in case of change of ownership**

**Procedure for the use of warranty**

**REGISTER** your firearm in the proper section of our website:

<http://www.chiappafirearms.com/registration>

**CONTACT** the gun shop where the product was bought, or the Chiappa Firearms facility for USA, Canada or Rest of the World as indicated above. You will receive an RMA number and the instructions to return the gun.

**FILL IN** the attached form, which will accompany the return firearm. Don't forget to include the NDR number, a description of the defect and a copy of the proof of the purchase indicating the purchase date.

**SHIP** the weapon to the gun shop (or to the service center) in its original packing, according to the instructions you have received.

**ATTENTION:** the returned firearm must be protected with adequate packaging; any damages occurred during transportation and handling will be the customer's responsibility

**REPAIR UNDER GUARANTEE**

RMA : _____
-------------

**Please write in the above box  
the Repair Number you  
were given by the gun shop**

**1. Customer data:**

- Name: \_\_\_\_\_
- Address : \_\_\_\_\_
- Town : \_\_\_\_\_
- ZIP Code : \_\_\_\_\_
- Phone : \_\_\_\_\_ Available from \_\_\_\_ to \_\_\_\_
- Fax : \_\_\_\_\_
- Email address: \_\_\_\_\_

**2. Product information:**

- Model : \_\_\_\_\_
- Serial number : \_\_\_\_\_

**3. Gun Shop - dealer:**

- Purchase date : \_\_\_\_\_
- Dealer name : \_\_\_\_\_
- Dealer address: \_\_\_\_\_

**4. Description of defect:**

Documents to attach: Proof of purchase with date

---

---

---









1415 Stanley Avenue

Dayton, Oh 45404

USA

Via Milano 2

25010 Azzano Mella (BS)

ITALY

[www.chiappafirearms.com](http://www.chiappafirearms.com)

email: [info@chiappafirearms.com](mailto:info@chiappafirearms.com)