



# Rechargeable Dehumidifier

Item No. 95900

## Features:

The Hornady Security® Rechargeable Dehumidifier is filled with desiccant crystals designed to absorb moisture from your safe, closet, tool chest, or other enclosed area. As the desiccant crystals fill with moisture they change from blue to pink. Recharging the dehumidifier is easy by simply plugging it into a common 110V wall outlet.

## Proper Care:

1. Keep product clean.
2. Do not place anything on or around the dehumidifier when plugged in. Proper air flow is needed around the dehumidifier to dissipate heat and moisture.
3. Do not leave the dehumidifier plugged in for more than 24 hours.
4. Do not drop as it may damage the sensitive electronics.
5. For indoor use only. Keep away from water.

## Operation:

- Verify the desiccant crystals are dry (blue color). If not, follow the drying instructions in the next section.
- Place the dehumidifier on the top shelf or follow the instructions to mount it on a vertical surface.
- Periodically check on the dehumidifier and recharge when the desiccant crystals turn pink.

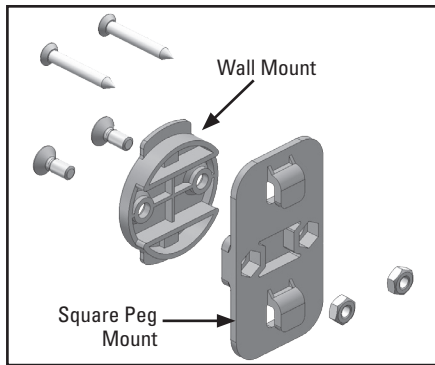
## Drying Instructions:

- When the desiccant crystals become saturated they turn pink and the dehumidifier needs to be recharged.
- Remove the dehumidifier from the shelf or mounting bracket.
- Plug the dehumidifier into a common 110V wall outlet. The dehumidifier will heat up to dry out the desiccant crystals. *(Typical dry time is about 8-12 hours.)*

## Quick Connect Bracket:

The dehumidifier ships with two brackets to allow the dehumidifier to be mounted to vertical surfaces.

To connect the dehumidifier to the bracket, place the dehumidifier onto the bracket and rotate 90 degrees.



## Specifications:

1. Effective Volume: 333 cubic feet
2. Power: 120V 60hz 60W
3. Size: 152 x 103 x 37mm  
(6.0" x 4.1" x 1.5")
4. Net weight: 450g (1.0 lbs.)

**Hornady Security® electronic components are covered by a one-year warranty from the date of purchase. See [Hornady.com](http://Hornady.com) for details.**

P.O. Box 1848, Grand Island, Nebraska 68802-1848  
308-382-1390 • 800-338-3220 • Fax: 308-382-5761

[Hornady.com/contact](http://Hornady.com/contact)