



INSTRUCTION MANUAL

TAN BODY 30mm TACTICAL RED, GREEN, & BLUE DOT REFLEX OPTIC WITH CANTILEVER MOUNT

Model # DRGB135T

- ❖ **PLEASE READ AND FOLLOW ALL OF THE DIRECTIONS IN THIS MANUAL CAREFULLY.**
- ❖ **CAUTION: ALWAYS PRACTICE SAFE FIREARMS HANDLING!**
- ❖ **BE SURE THAT THE FIREARM IS UNLOADED BEFORE PERFORMING ANY OF THE FOLLOWING PROCEDURES!**
- ❖ **BE SURE THAT THE FIREARM IS POINTED IN A SAFE DIRECTION AT ALL TIMES!**

The DRGB135T is a Tactical Red, Green, and Blue Dot Reflex Optic with a Cantilever Mount. The Cantilever Mount will mount onto nearly any Weaver or Picatinny type rail. All NcSTAR® Optics are backed by our Lifetime Limited Warranty. We trust that you will receive many years of enjoyment and service from your new Tactical Red/ Green/ Blue Dot Reflex Optic.

- ❖ **FOR OPTIMUM PERFORMANCE, PLEASE FOLLOW ALL OF THE PROCEDURES IN THIS OWNER'S MANUAL VERY CAREFULLY.**

FEATURES:	SPECIFICATIONS:	
Red, Green, and Blue LEDs (Light Emitting Diode) 100% safe for the eyes Three brightness settings for the Red, Green, Blue Dots Unlimited eye relief, for flexible mounting options 30mm Cantilever Mount for mounting onto most Weaver/ Picatinny type rails Aluminum construction, Powder Coated Tan Heavy Duty Flip-Up Lens Covers	Length: 5.0" Width: 2.7" Height: 3.1" Weight: 8.9 oz. Mount Length: 2.7" Objective Lens Diameter: 35mm Body Diameter: 30mm	Magnification: 1X Reticle: Red, Green, & Blue Dots Dot Size: 3 MOA Click Value: 1 MOA Lens Coating: Platinum Battery Type: CR2032

MOUNTING PROCEDURE

The Optic's Mount is the link between your firearm and your Optic. It is very important to have a solid connection between the two in order to ensure proper function of all components. NcSTAR® has made installation easy for the DRGB135T, by including a 30mm Cantilever Weaver Mount (8) with the optic. You should place your firearm on a secure platform, such as a gun vise, before performing any of the following procedures.

- ❖ **CAUTION: CAREFULLY FOLLOW ALL OF THE MOUNTING PROCEDURES. FAILURE TO DO SO CAN CAUSE DAMAGE TO YOUR SIGHT OR FIREARM.**
- ❖ **CAUTION: BE SURE THAT YOUR FIREARM IS UNLOADED AND POINTED IN A SAFE DIRECTION. PRACTICE SAFE FIREARM HANDLING PROCEDURES AT ALL TIMES.**

Begin by loosening the Hex Nut (9) on the left side of the mount. Using a wrench of the appropriate size, turn the Hex Nut Counter-Clockwise (⤵) to loosen Rail Clamp (10) from the mount.

After loosening Hex Nut, pull the Rail Clamp away from the side of the mount. This will allow you place the Reflex Optic directly onto the optics rail of your firearm. Seat the Reflex Optic onto the top of your firearm's optics rail, with the objective lens (Platinum coated lens) facing the muzzle. Make sure that the Mount Cross Bolt on the bottom of the Mount fits securely into a cross slot on your firearm's optics rail. Once you have your sight positioned properly, turn the Hex Nut Clockwise (⤴) until the Rail Clamp secures the Reflex Optic to the firearm's optics rail. If you are using a wrench to tighten the mount, be careful to not over-tighten the nut. You have now successfully mounted your Reflex Optic.

OPERATION

The Rheostat Knob (3) performs a number of functions. The Rheostat indicator marking is printed and located on the top of the optic with a White Dot.

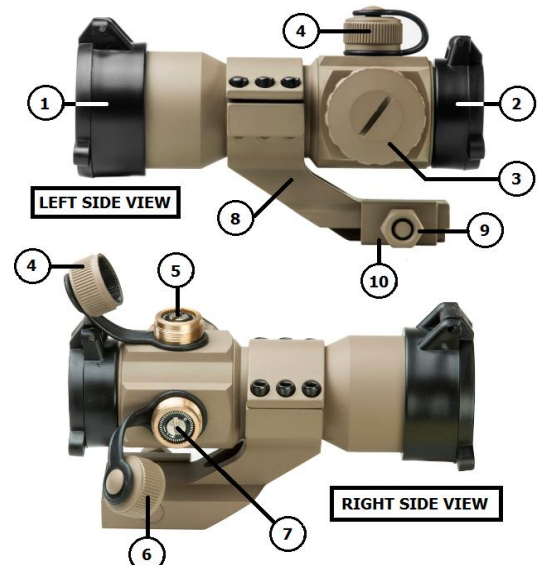
There are Numbers and Letters printed on the Rheostat Knob.

- The DRGB135T will turn OFF when the Rheostat Knob is set to any of the Letters "R,G, or B". The Rheostat Knob functions as an ON/OFF switch and brightness control for the Red/Green/Blue Dot Sight.
- The Numbers "1-3" are different brightness settings for the Red/Green/Blue Dot, in which "1" is the dimmest setting and the higher numbers increases the brightness level of the Red/Green/Blue Dot. Number "3" is the maximum brightness setting for the Red/Green/Blue Dot.
- After you are done using the DRGB135T, make sure that the Rheostat Knob is set to Letters "R,G, or B" in order to preserve battery life.

ZEROING YOUR REFLEX OPTIC SIGHT:

Your DRGB135T is equipped with adjustable turrets for Windage and Elevation.

The Elevation Adjustment (5) is located on top of the Optic's Body. First remove the Elevation Cap (4) off the Elevation Adjustment (5) and use a flat head screwdriver or a Dime to make Up/Down Elevation adjustments.



- 1) Objective Lens Flip-Up Cover
- 2) Ocular Lens Flip-Up Cover
- 3) Rheostat Knob / Battery Compartment
- 4) Elevation Cap
- 5) Elevation Adjustment
- 6) Windage Cap
- 7) Windage Adjustment
- 8) 30mm Cantilever mount
- 9) Hex Nut
- 10) Rail Clamp

Elevation Adjustment Screw:

- Clockwise (↻) moves Dot UP (↑) - resulting in moving the Bullet Impact DOWN (↓)
- Counter-Clockwise (↺) moves Dot DOWN (↓) – resulting in moving the Bullet Impact UP (↑)

The Windage Adjustment (7) is located on the Left side of the Optic's Body. First remove the Windage Cap (6) off the Windage Adjustment (7) and use a flat head screwdriver or a Dime to make Left/Right Windage adjustments.

Windage Adjustment Screw:

- Clockwise (↻) moves Dot RIGHT (⇒) – resulting in moving the Bullet Impact to the LEFT (⇐)
- Counter-Clockwise (↺) moves Dot LEFT (⇐) – resulting in moving the Bullet Impact to the RIGHT (⇒)

NOTE: Each click of adjustment changes the point of impact (where the bullet strikes the target).

This means that the markings on the Elevation Turret "UP ↻" will move the Dot UP (↑) as labeled. This also means that the markings on the Windage Adjuster stating "L ↺" will actually move the Dot to the LEFT (⇐) as labeled. Each click will move the Dot by the amount shown on the chart below.

Windage/Elevation inches of movement per click				
25 yards	50 yards	75 yards	100 yards	200 yards
1/4"	1/2"	3/4"	1"	2"

SIGHTING IN YOUR REFLEX OPTIC

We recommend the use of a bore sighting device to save time and ammunition when zeroing your sight. This device will help you get on paper much quicker. Follow all of the instructions set by the manufacturer of your bore sighting device very carefully. Once you have achieved a relative zero by way of bore sighting, it is still necessary to shoot your firearm to ensure an accurate zero.

- ❖ **CAUTION: ALWAYS BE SURE TO REMOVE THE BORE SIGHTING DEVICE FROM YOUR FIREARM, BEFORE SHOOTING LIVE AMMUNITION. FAILURE TO DO SO CAN RESULT IN DAMAGE TO YOUR FIREARM, OR INJURY TO YOURSELF AND THOSE AROUND YOU.**

With some firearms it may not be possible to use a bore sighting device. In this case it will be necessary to use a more traditional method of zeroing.

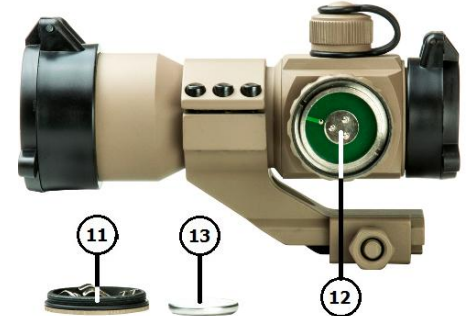
- ❖ **CAUTION: WHEN OPERATING ANY TYPE OF FIREARM ALWAYS USE PROPER EYE AND EAR PROTECTION. BE SURE TO USE YOUR FIREARM IN AN AREA THAT IS PERMISSIBLE UNDER LOCAL, STATE, AND FEDERAL LAW.**

1. Secure your firearm onto a steady shooting platform such as a Bench Rifle Rest, Shooting Rest, or Sand Bags.
2. Shoot a 3 to 5 shot groupings at a target that is set to your desired Zeroing distance (25-50 yards is recommended for a Reflex Optic).
3. Observe where the grouping of bullets has struck the target and make the necessary adjustments to the Elevation and Windage adjustments.
4. Repeat this process until you have achieved your desired level of accuracy.
5. Your Reflex Optic is now Zeroed for your firearm at the specific distance that you have chosen.

BATTERY INSTALLATION

Your DRGB135T comes ready to use with a pre-installed battery. If the battery life expires or your scope no longer illuminates, follow these simple instructions:

1. The Battery compartment is located within the Rheostat Knob (3).
2. On the top of the Rheostat Knob (3) you will notice a thin knurled Battery Cap (11). To remove this cap, grasp it firmly with one hand and twist it Counter-Clockwise (↺) while holding the Rheostat Knob firmly in place with the other hand.
3. Remove the old battery and dispose of it properly. Replace it with a NEW **CR2032** (13) 3 volt Lithium Battery type only. Insert the battery with the Positive "+" Terminal facing OUT. Twist the Battery Cap (11) back Clockwise (↻) onto the Rheostat Knob (3) and hand tighten. Avoid using tools, such as pliers, to perform this procedure as this may cause damage to the unit.



- 11) Battery Cap
- 12) Battery Compartment
(Positive "+" Terminal facing OUT)
- 13) Battery: CR2032 – 3V Lithium Battery

CARE AND MAINTENANCE

Your DRGB135T is a sealed unit, please do not attempt to take it apart or clean it internally. The exposed optical lens surfaces will perform their best if they are routinely cleaned with a lens brush and the lens cloth provided with your sight. For a deep cleaning, you can also use high quality camera lens paper and camera lens cleaning solutions. Never use any other type of materials or solvents other than those designed specifically for optical lenses to avoid damaging your sight. Clean the outer portion of the lens cavity first with cotton swabs, clearing as much debris and dust as possible. Then, gently clean the lenses using a circular motion starting in the center and ending at the edges. Do not rub the lenses continually; simply wipe in short circular patterns. Maintain the exterior surfaces of the scope by removing dirt or sand by using a soft brush or a soft, dry cloth. You can also use a silicone treated cloth to restore luster of the optics body and protect the scope against corrosion. Be careful not to touch any of the lenses with the silicone cloth. When not in use, always store your sight in a dry place with lens covers on to prevent scratches to the lenses.

- ❖ **IF YOU ARE NOT SURE ABOUT ANY OF THE PROCEDURES IN THIS MANUAL, ALWAYS SEEK THE HELP OF A QUALIFIED PROFESSIONAL TO AVOID DAMAGE TO YOUR OPTIC AND YOUR FIREARM.**

NcSTAR Inc.
18031 Cortney Ct.
City of Industry, CA 91748

WWW.NcSTAR.COM

FOR TECHNICAL ASSISTANCE CALL:
1-866-NcSTAR-8 (1-866-627-8278)
1-626-575-1518

