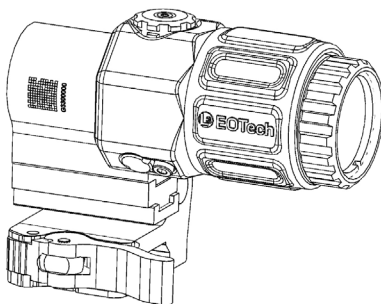




USER'S MANUAL FOR G-SERIES MAGNIFIERS

For use with G Series Magnifiers or HHS systems containing the Switch to Side (STS) mount. Images will vary by model.



INTRODUCTION

Thank you for purchasing a new EOTECH magnifier. These magnifiers offer users of the Holographic Weapon Sight (all models) the additional advantage of vastly improved target recognition and increased lethality at medium range distances. The STS mount allows the user the ability to engage the enemy with confidence in a Close Quarters Battle (CQB) situation or at distances out to 600 meters or more. This user manual describes the features of the EOTECH Magnifiers and provides information on their use and maintenance. Please read the instructions carefully before mounting and using the magnifier. Always practice proper firearm safety.

Included

- Magnifier • Switch to Side (STS) Mount • 7mm Riser • 4 Screws

This product is controlled under the Export Administration Regulations (EAR) ECCN 0A987, and may not be exported to a foreign person, either in the U.S. or abroad, without a license or exemption from the U.S. Department of Commerce

SPECIFICATIONS

- Water-Resistant: 33 ft. (10m)
- Sealing: Fog-resistant internal optics
- Finish: Non reflective / Rubber coated
- Optical Axis Adjustment: Internal adjustment
- Switch Orientation: Ambidextrous mount
- Flip Orientation: to allow left or right flip
- Rail Interface: 1" Weaver or MIL-STD-1913 with Quick Detach lock

BASIC OPERATION

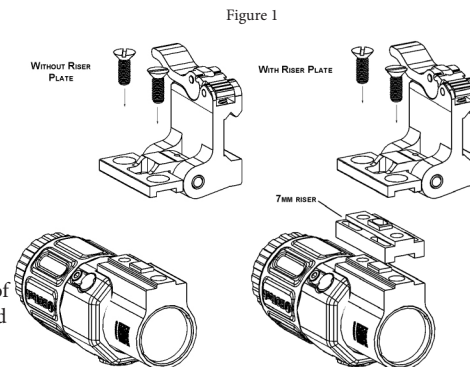
The G-Series magnifiers are designed to be used behind an EOTECH Holographic Weapon Sight (HWS). The magnifier can be mounted directly behind the HWS. Simply switch the magnifier out of the way and operate the sight. When used with HWS models 518, 558, 556, 517, EXPS or 516 HWS (with side button interface) the user can easily operate the sight even with the magnifier in the locked position.

Positioning the Reticle:

Once the magnifier is installed properly behind the HWS, it may be necessary to re-zero the sight. This may be due to the shooter's ability to see the target and Point of Impact (POI) more accurately than without the magnifier. Re-zeroing the sight will prevent a perceived shift in POI when going from no magnification to magnification.

OPTIC CONFIGURATION

The EOTECH Holographic Weapon Sight (HWS) product line has two different heights above the rail based on user preference. For this reason, the magnifier does not come preassembled to the mount. It is user configurable based on the specific model HWS it will be mounted behind. The 7mm riser, included, may be required to align the magnifier optical axis with the sight. Only HWS with side buttons or quick detach levers require the use of the riser. For all other HWS models, the riser should not be used.

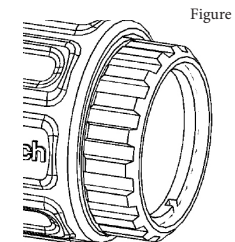


The magnifier system can be configured to switch to the left or to the right based on shooting preference. Typically, right handed shooters prefer the mount to switch to the right, and left handed shooters to the left.

To configure your HWS you will need a screwdriver (not included). If the riser is not used, the shorter screws should be selected. The longer screws are used with the riser only. If the riser is being used, place the riser on the optic mounting interface. Open the STS mount. Position the mount on the optic mount interface (or riser) so it opens either to the left or right (based on preference). Insert each screw through the components, and tighten securely. If using a torque wrench, the screws should be tightened to 24 in-lbs. Note: If you purchased the magnifier as part of an HHS combo kit, the screw pack will not be included as the magnifier comes preassembled.

ADJUSTABLE DIOPTER

The optic includes an adjustable diopter that allows the user to customize the focus to their particular vision. This feature ensures a crisp, clean aiming dot for more precision and shot placement. To adjust, simply grasp the diopter with the thumb and fore finger and turn either clockwise or counter-clockwise until a clear sight picture is achieved. Note: Depending on the users vision, you may observe a small change to the magnification during diopter adjustment.



ADJUSTABLE DIOPTER

RETICLE POSITION ADJUSTMENTS

After zeroing or re-zeroing the sight, it may be necessary to reposition the reticle image into the center of the magnifier window. This is aesthetic in nature and has no effect on the sight's zero. Turn the horizontal and vertical adjustments on the top or side of the magnifier by hand, with a coin or a flat head screwdriver to reposition reticle to the desired position.

SWITCH OPERATION

To switch the magnifier to the side, simply push the optic to the right or left, depending on how it is mounted. To close the mount, push the magnifier back into its original position until a hard stop is achieved.

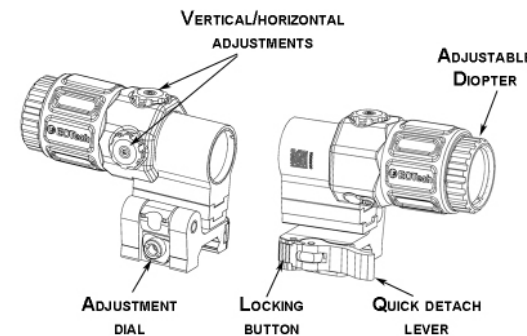


Figure 3

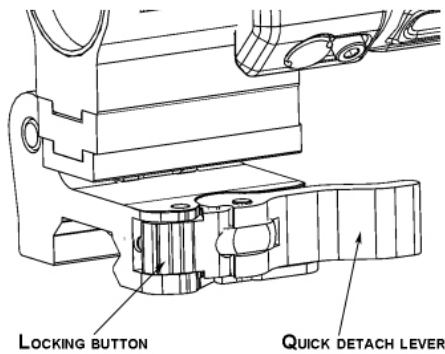


Figure 4

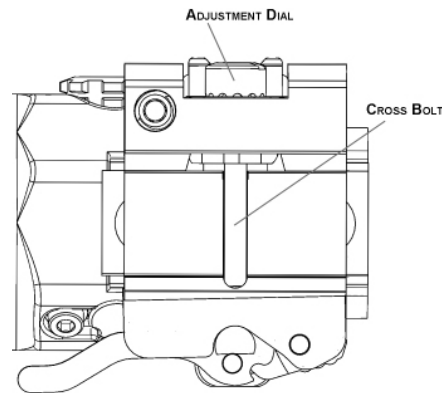


Figure 5

INSTALLATION

To install the configured magnifier onto the weapon, open the quick detach lever. To do this, use your thumb to depress the locking button (see Figure 4). Once depressed, swing the quick detach lever open and away from its nested position. Place the mount in the desired position behind the HWS. Once the mount is located in the desired position, push the magnifier forward until the cross bolt of the magnifier is set into the slot located on the mount. Close the quick detach lever.

If the mount is too loose or tight for your specific rail, adjustments can be made for a proper fit (see Figure 5). First, remove the magnifier from the rail. Leaving the quick detach lever in its open position, turn the unit upside down, exposing the rail interface. To loosen the adjustment, turn the dial counterclockwise. To tighten, turn the dial clockwise. Once done, re-mount the optic to the rail. Continue incremental changes until a desired fit is achieved. **CAUTION: Never make adjustments while the quick detach lever is in the closed position.**

MAINTENANCE

Maintenance of the magnifier is limited to cleaning of the outside housing of the optic and cleaning the lenses. The optical system is coated with anti-reflection material. When cleaning the glass surfaces, first blow away any dirt and dust. Fingerprints and lubricants can be wiped off with lens tissue or a soft cotton cloth which is moistened with lens cleaning fluid or glass cleaner, sold in any camera store. Never clean the glass surface with a dry cloth or paper towel; always dampen the glass surfaces prior to cleaning.

No maintenance is needed on the magnifier's surface, except to occasionally wipe off with a soft cloth. Use only a water-based cleaner such as glass cleaner, ammonia, or soap and water. **CAUTION: Never use any solvent-type cleaner such as alcohol or acetone.**

WARNING: NEVER DISASSEMBLE YOUR MAGNIFIER! The optical cavity is purged, nitrogen filled, and sealed to achieve fog proof performance. Disassembly will void the warranty and damage the magnifier.

If the switch action of the switch to Side mount begins to stick from wear, use a common spray lubricant on the hinge portion of the mount. No other maintenance is needed on the Switch to Side Mount other than cleaning the surface. Please follow the same guidelines when cleaning the magnifiers.

THE EOTECH PRESTIGE WARRANTY

Thank you for choosing EOTECH® for your new purchase. We understand your passion for shooting and your reliance on products that will provide years of dependable use. That is why we offer a 10-year limited EOTECH® Prestige Warranty*, as described below. Should you experience a problem with your EOTECH® product, we will do the following to make it right for you. With the EOTECH® Prestige Warranty, we warrant that your Holographic Weapon Sight or Magnifier product will be free from manufacturing defects in material and workmanship (including electronics) under normal use for a period of ten (10) years from the later of (i) customer's proof of the first purchase of the new product from an authorized commercial seller of EOTECH® products or from EOTECH® directly, or (ii) manufacturer's date/serial number (as specified on the product). EOTECH® will, free of charge and as determined by EOTECH®, either repair or replace your product with a comparable product for the first five (5) years. From five (5) to ten (10) years, EOTECH® will, at the customer's request, evaluate and repair any and all defects in material and workmanship for a seventy-nine dollar (\$79.00 USD) bench fee. This warranty extends to subsequent owners to the remaining extent of the original owner's warranty. We do this because we want you to be as confident in your purchase as we are in the quality of our product.

THIS WARRANTY DOES NOT APPLY TO THE FOLLOWING:

1. Theft, loss, neglect or vandalism
2. Abuse, misuse, improper installation and modification, alterations, abnormal use, or accidents not resulting from a defect in material and workmanship under normal use of the product.
3. Cosmetic damage that does not affect the product's use, operation or performance.
4. Any defect or damage caused by repairs or services not performed by EOTECH.

EOTECH® products to be repaired under this warranty, must have a valid return material authorization (RMA) number; purchasers may obtain this number by submitting a Return Authorization Request Online at www.eotechgear.com. If you do not have access to a computer, you may call EOTECH for assistance. Products that arrive at EOTECH® without a valid Return Authorization Number will be returned to sender without service. Once you receive the RMA number, send the product, postage prepaid, to EOTECH®. All product(s) must be fully insured and have the correct postage; EOTECH® will not be responsible for improper postage or missing/damaged merchandise during shipment. International repairs may include additional shipping and handling charges.

THE WARRANTY PROVIDED HEREIN SHALL BE THE SOLE AND EXCLUSIVE WARRANTY. THERE SHALL BE NO OTHER WARRANTIES EXPRESS OR IMPLIED INCLUDING ANY IMPLIED WARRANTY OF MERCHANTABILITY OR FITNESS FOR A PARTICULAR PURPOSE OR ANY OTHER OBLIGATION ON THE PART OF EOTECH WITH RESPECT TO THIS WARRANTY. THIS WARRANTY DOES NOT AFFECT ANY STATUTORY WARRANTY RIGHTS THE CONSUMER MAY HAVE AGAINST THE SELLER OF THIS PRODUCT. EOTECH SHALL HAVE NO LIABILITY FOR ANY DAMAGES OR FUTILE EXPENSES OF WHATEVER NATURE (WHETHER DIRECT, INDIRECT, INCIDENTAL; CONSEQUENTIAL; SPECIAL OR OTHER DAMAGES) UNDER THIS WARRANTY. THIS WARRANTY GIVES YOU SPECIFIC LEGAL RIGHTS, AND YOU MAY ALSO HAVE OTHER RIGHTS THAT VARY FROM JURISDICTION TO JURISDICTION. SOME JURISDICTIONS DO NOT ALLOW EXCLUSION OR LIMITATION OF INCIDENTAL OR CONSEQUENTIAL DAMAGES, OR LIMITATIONS ON HOW LONG AN IMPLIED WARRANTY LASTS, SO THE ABOVE EXCLUSIONS OR LIMITATIONS MAY NOT APPLY TO YOU.

* This warranty applies to new purchases of Holographic Weapon Sight or Magnifier products and retroactively applies to Holographic Weapon Sight or Magnifier products sold in 2017 by an authorized commercial seller of EOTECH® products or from EOTECH® directly.

FACTORY CONTACTS

Web.....<https://www.eotechgear.com>
 Customer Service/Repair.....888-EOTHOLO
 (734) 741-8868

Shipping Address: EOTECH® 1201 E. Ellsworth Rd. Ann Arbor, MI 48108 USA

EOTECH DISCLAIMERS AND NOTICES

- EOTECH reserves the right to change the product specifications at any time.
- All EOTECH material is for information purposes only and does not constitute any binding obligation or agreement by EOTECH, and all claims about performance characteristics assume normal, responsible usage within the warranty period.