

BUCKMASTERS[®]

HUNTING RIFLESCOPES

OWNERS MANUAL

SIG SAUER[®]

TABLE OF CONTENTS

Introduction	3
Features	3
Contents	4
Product Identification	4
Mounting the Sight	6
Sight Adjustments	8
Maintenance	11
Troubleshooting	11
SIG SAUER® Electro-Optics Infinite Guarantee™ / Limited Lifetime Warranty.	12
SIG SAUER Electronic Component Limited 5-Year Warranty.	14

Please visit sigsauer.com for Owners Manual downloads.

INTRODUCTION

SIG SAUER demands the most of their products. The BUCKMASTERS® series riflescope is no exception. Offering maximum light transmission and optical clarity, the BUCKMASTERS riflescope is built to withstand the rigors that modern shooters and hunters require.

FEATURES

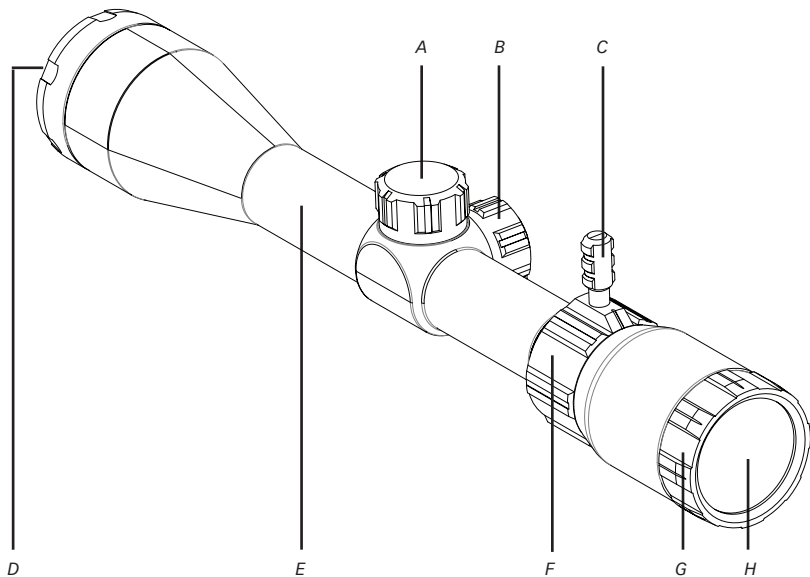
- SIG SAUER® Infinite Guarantee™
- IPX7 Waterproof rating
- European style eyepiece for smooth, fast, and precise reticle adjustment
- LD Low Dispersion Glass
- BUCKMASTERS BDC Reticle

CONTENTS:

- Riflescope
- Flipback Lens Covers
- Manual

PRODUCT IDENTIFICATION

- A** Elevation Dial: Under Cap
- B** Windage Dial: Under Cap
- C** Removable Throw Lever
- D** Objective Lens
- E** Main Tube: 1"
- F** Power Selector Ring
- G** Diopter Adjustment Ring
- H** Ocular Lens



 **WARNING**

Before working on your BUCKMASTERS® riflescope always ensure that the firearm is unloaded with the safety on.

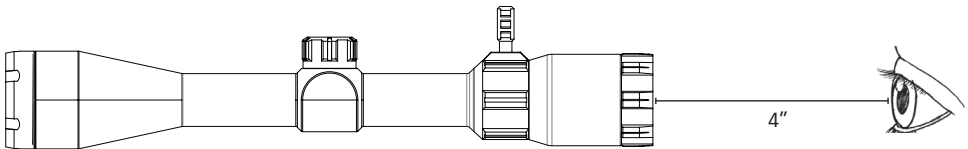
Mounting the riflescope

Choose rings and bases that correspond to your firearms action and the diameter of your riflescope's maintube. In order to maintain a comfortable cheek weld always mount your riflescope with the lowest possible ring height. Make sure that there is no interference with any of the moving parts of your firearm.

Set proper eye relief

Slightly loosen the riflescope rings and position the riflescope as far forward as it will mount. For adjustable power riflescopes select the highest possible power. Mount the rifle in a comfortable and repeatable, natural position. Adjust the position of the riflescope backwards until you have maximum field of view in your riflescope.

Ensure that the vertical crosshair of the riflescope matches the vertical centerline of your rifle and tighten the rings and bases to the correct torque



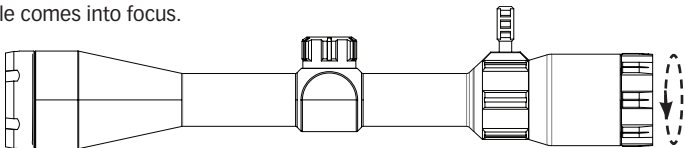
SIGHT ADJUSTMENTS

The riflescope will come optically centered. This should get you close to your rifles zero out of the box

Focusing the reticle with the diopter

Aim the riflescope at a light object to maximize the contrast of the reticle.

Turn the diopter until the reticle comes into focus.



Adjusting Power

BUCKMASTERS® riflescopes are variable power. In order to increase the power setting rotate the power selector ring clockwise. Turn the power selector ring until the image is magnified to the desired range.

Bore sighting

If you are installing the riflescope from other than its factory settings it is best to bore site your riflescope. This will give you a coarse zero and will require further adjustments.

With the rifle in a firm rest, remove the bolt from your rifles action (with AR style rifles remove the rifles upper from its lower assembly and remove the bolt carrier). Look through the rifles barrel from the rear of the rifle and aim it so that your target is centered. Without moving the position of the barrel, use the elevation and windage adjustments of your riflescopes reticle so that it is also in the center of the target.

Point of Impact (POI) corrections

POI corrections should be done using the center of a three shot group. If you are not able to get a consistent three shot group then you will need to trouble shoot your rifle further.

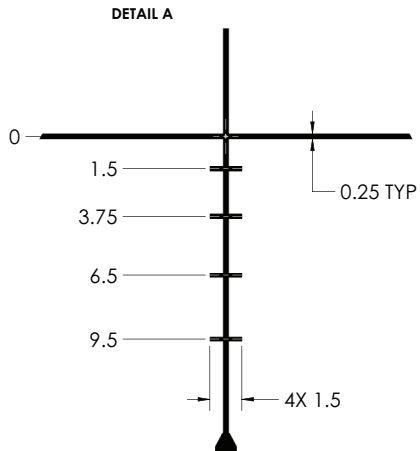
If your POI is located to the left of your point of aim (POA) then you need to adjust the windage to the right. The value of each click is marked on your riflescope. To move your POI to the right you will need to turn the windage turret counter-clockwise. To move your POI left turn the windage turret clockwise.

If your POI is located below your POA then you need to adjust your elevation up. The value of each click is marked on your riflescope. To move your POI up you will need to turn the elevation turret counter-clockwise. To move your POI down turn the elevation turret clockwise.

The goal of these adjustments is for your point of impact to match up with your point of aim. You will need to make windage or elevation adjustments in order to accomplish this.

Re-setting your zero - BUCKMASTERS™

To reset the zero on your BUCKMASTERS rifle scope, loosen the 2mm hex screw on the adjustment dial and rotate the dial to zero. Once you are back to zero, tighten the 2mm hex screw. Replace the dial cap.

MOA BUCKMASTERS BDC-1 SUBTENSIONS

Subtensions in MOA on max magnification

MAINTENANCE

Your SIG SAUER riflescope requires very low maintenance.

- If your riflescope came with turret caps make sure that they are installed when you are not making windage or elevation adjustments.
- Keep your lenses clear by using a soft cloth or lens pen. The best way to maintain image quality is by keeping your lenses clear of dirt and dust that cause scratches.

TROUBLESHOOTING

POI changes between groups

- Check that all of your mounts are tightened to the correct torque spec
- Check/Clean your rifle
- Check for variations in ammunition

NOTICE: Export restrictions may apply – this product may be controlled either by the ITAR or EAR.

⚠ WARNING: CANCER AND REPRODUCTIVE HARM – www.P65Warnings.ca.gov





SIG SAUER® Electro-Optics Infinite Guarantee® / Limited Lifetime Warranty

SIG SAUER has manufactured the most rugged, dependable, high-performance firearms for more than two centuries. Our heritage of design, engineering, and precision-manufactured quality predates the existence of any other optics company worldwide. We understand the importance of quality in the line of fire, at the shooting range or on your next hunt. SIG SAUER Electro-Optics had to earn the right to wear that badge and the Infinite Guarantee has your back, forever. Period.

We will repair or replace your SIG SAUER product in the event it becomes damaged or defective, at no charge to you. If we cannot repair your product, we will replace it with a product in perfect working order of equal or better physical condition.

SIG SAUER Infinite Guarantee®

- Unlimited Lifetime Guarantee
- Fully Transferable
- No Warranty Card Required
- No Receipt Required
- No Time Limit Applies
- No Charge

Please note that our Infinite Guarantee excludes coverage for intentional damage, misuse, cosmetic damage that does not affect the performance of the optic, loss, theft, or unauthorized repair or modification. Excludes electronic and Tritium components.

Customers seeking warranty coverage must first obtain a Return Merchandise Authorization (RMA) by contacting SIG SAUER Customer Service, and return the product unloaded and freight prepaid.

ANY WARRANTIES IMPLIED BY LAW, INCLUDING ANY IMPLIED WARRANTIES OF MERCHANTABILITY OR FITNESS FOR A PARTICULAR PURPOSE, ARE EXPRESSLY DISCLAIMED. REPAIR, ALTERATION, OR REPLACEMENT AS PROVIDED HEREIN IS YOUR EXCLUSIVE REMEDY FOR ANY DEFECTIVE PRODUCT. IN NO EVENT SHALL SIG SAUER OR ANY COMPANY AFFILIATED WITH SIG SAUER BE LIABLE FOR ANY SPECIAL, INCIDENTAL, OR CONSEQUENTIAL DAMAGES OF ANY KIND ARISING OUT OF THE PURCHASE OR USE OF THIS PRODUCT, WHETHER BASED UPON CONTRACT, TORT, STATUTE, OR OTHERWISE. Some states do not allow the exclusion or limitation of implied warranties, or the exclusion or limitation of incidental or consequential damages, so some or all of the above limitations or exclusions may not apply to you. This warranty gives you specific legal rights, and you may also have other rights which vary from State to State.

THIS WARRANTY APPLIES TO COMMERCIAL CUSTOMERS ONLY, AND DOES NOT APPLY TO GOVERNMENT, MILITARY, LAW ENFORCEMENT, OR NON-US CUSTOMERS. NON-US COMMERCIAL CUSTOMERS MUST PURCHASE PRODUCT THROUGH AN AUTHORIZED SIG SAUER DEALER WITHIN THEIR COUNTRY OF RESIDENCE FOR THIS WARRANTY TO APPLY.



SIG SAUER® Electronic Component Limited 5-Year Warranty

SIG SAUER warrants that the electronic and tritium components of the enclosed product were originally manufactured free of defects in workmanship, material, and mechanical function. For a period of five (5) years from the date of manufacture, SIG SAUER agrees to correct any defect in these components by repair, adjustment, or replacement, at SIG SAUER's option, with the same or comparable quality components (or by replacing the product at SIG SAUER's option); provided however that a Return Merchandise Authorization (RMA) is first obtained by contacting SIG SAUER Customer Service, and that the product is returned unloaded and freight prepaid.

This limited warranty is null and void if the product has been misused, damaged (by accident or otherwise), damaged through failure to provide reasonable and necessary maintenance as described in the user's manual, or if unauthorized repair or any alteration, including of a cosmetic nature, has been performed on the product. This limited warranty does not apply to normal cosmetic wear and tear of any parts.

ANY WARRANTIES IMPLIED BY LAW, INCLUDING ANY IMPLIED WARRANTIES OF MERCHANTABILITY OR FITNESS FOR A PARTICULAR PURPOSE, ARE EXPRESSLY DISCLAIMED. REPAIR, ALTERATION, OR REPLACEMENT AS PROVIDED HEREIN IS YOUR EXCLUSIVE REMEDY FOR ANY DEFECTIVE PRODUCT. IN NO EVENT SHALL SIG SAUER OR ANY COMPANY AFFILIATED WITH SIG SAUER BE LIABLE FOR ANY SPECIAL, INCIDENTAL, OR CONSEQUENTIAL DAMAGES OF ANY KIND ARISING OUT OF THE PURCHASE OR USE OF THIS PRODUCT, WHETHER BASED UPON CONTRACT, TORT, STATUTE, OR OTHERWISE. Some states do

not allow the exclusion or limitation of implied warranties, or the exclusion or limitation of incidental or consequential damages, so some or all of the above limitations or exclusions may not apply to you. This warranty gives you specific legal rights, and you may also have other rights which vary from State to State.

THIS WARRANTY APPLIES TO COMMERCIAL CUSTOMERS ONLY, AND DOES NOT APPLY TO GOVERNMENT, MILITARY, LAW ENFORCEMENT, OR NON-US CUSTOMERS. NON-US COMMERCIAL CUSTOMERS MUST PURCHASE PRODUCT THROUGH AN AUTHORIZED SIG SAUER DEALER WITHIN THEIR COUNTRY OF RESIDENCE FOR THIS WARRANTY TO APPLY.

SIGSAUER®

FOR PRODUCT SERVICE ON THIS MODEL, PLEASE CALL 603-610-3000

27100 SW Parkway Ave, Wilsonville, OR 97070 USA

P/N 7403162-01 R01

[sigsauer.com](https://www.sigsauer.com)