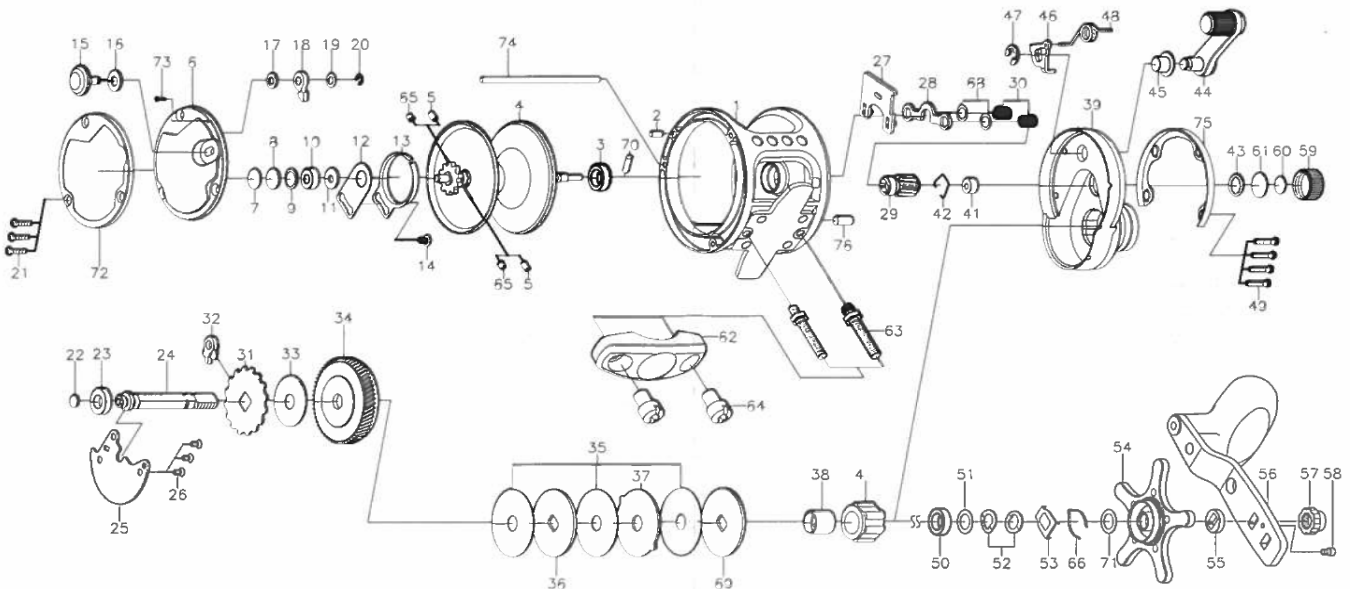


Please order by parts number, not key number
 Veuillez indiquer le numéro de la pièce (Non "Key" No.)



SEAGATE 20H · 30H

CONVENTIONAL REEL



Key No.	Parts No.	Parts Name	Key No.	Parts No.	Parts Name
1	700-0490	Frame assembly	43	B05-5201	"O" ring
2	G21-1701	Pin	44	E62-3603	Clutch lever
3	G42-7201	Ball bearing (A)	45	E62-5401	Clutch lever collar
5	B35-2701	Brake collar (A)	46	E62-6701	Clutch cam
6	700-0590	Left side plate	47	320-7601	Clutch cam lock washer
7	G27-6300	Bearing washer (A)	48	E62-5501	Clutch cam spring
8	G21-2401	Bearing washer (B)	49	460-5470	Right side plate screw
9	F95-6702	Bearing washer (C)	50	G52-3403	Ball bearing (D)
10	G42-7701	Ball bearing (B)	51	E60-8901	Bearing washer (E)
11	E61-0501	Bearing washer (D)	52	E25-3501	Drag spring washer
12	E62-5601	Click spring retainer	53	G58-8601	Bearing washer (F)
13	E62-4601	Click spring	54	320-1170	Star drag
14	460-5490	Click spring screw	55	E60-5101	Spacing sleeve
16	E62-4701	Click button	56	700-9250	Handle assembly
16	E61-7301	Click button washer (A)	57	G22-0301	Handle nut
17	E61-7401	Click button washer (B)	58	G21-8201	Handle nut screw
18	E62-4801	Click pawl	59	E61-0901	Cast control cap
19	373-1600	Click button washer (C)	60	B17-5503	Spacer (A)
20	320-1402	Click pawl retainer	61	375-7501	Spacer (B)
21	460-5480	Left side plate screw	62	E62-4402	Rod clamp
22	F73-3501	Drive shaft washer	63	E62-4501	Clamp bolt
23	150-0270	Bushing	64	E62-6101	Clamp nut
24	E66-0501	Drive shaft	65	B35-2801	Brake collar (B)
25	E62-2601	Drive shaft retainer	66	F03-2401	Click leaf spring
26	460-5460	Drive shaft retainer screw	68	E61-5101	Yoke washer
27	E62-2701	Yoke plate	69	E62-7301	Key washer
28	E62-4901	Yoke	70	E66-0401	Spool pin
29	E66-0601	Pinion gear	71	G69-4201	Star drag washer
30	F93-5201	Yoke spring	3, 4, 70	700-9430	Spool assembly
31	G60-3901	Anti-reverse ratchet	72	430-1150	Left side outer ring
32	530-0850	Anti-reverse pawl	73	460-5450	Left side plate screw
33	E62-5101	Drag washer (A)	74	400-2610	Stabilizer bar
34	E62-2901	Drive gear	75	430-1170	Right side outer ring
35	540-6930	Drag washer (B)	76	400-2550	Pin
36	E62-3101	Key washer	SEAGATE 30H SPECIAL PARTS		
37	E62-3201	Eared washer	Key No.	Parts No.	Parts Name
36	E61-0701	Collar	1	700-0500	Frame assembly
39	700-0610	Right side plate	39	700-0620	Right side plate
40	F55-2703	Handle metal	3, 4, 70	700-9440	Spool assembly
41	E60-8801	Bushing	74	400-2620	Stabilizer bar
42	F03-2201	Bushing retainer			