

TABLE OF CONTENTS

2	USE OF THIS MANUAL
2	SAFETY GUIDELINES
5	WARRANTY AND SERVICE
6	DESCRIPTION OF THE FIREARM
6	BREAK-IN PROCEDURE
7	SPECIFICATIONS
7	MAJOR COMPONENTS
8	SAFETY MECHANISM
8	INSTALLING THE BOLT
10	REMOVING THE BOLT
11	LOADING AND FIRING
12	CYCLING THE ACTION
13	UNLOADING
14	DISASSEMBLY
16	ASSEMBLY
19	CLEANING AND LUBRICATION
21	FUNCTION CHECK
22	EXPLODED VIEW AND PARTS LIST

B MANUFACTURER'S DISCLAIMER

BFMI will not be responsible for injury, death, or damage to property resulting from either intentional or accidental discharge of this firearm or from its function when used for purposes or subjected to treatment for which it was not designed. BFMI will not honor claims involving this firearm which result from careless or improper handling, unauthorized adjustment or parts replacement, corrosion, neglect, the use of the wrong caliber ammunition, or the use of other than commercially manufactured ammunition in good condition, or any combination thereof.

USE OF THIS MANUAL

Read this manual before you handle your Barrett product. It is important that you understand the principles of safe firearm handling in general and the features of this rifle. This manual is not a substitute for training from a qualified instructor. Important safety topics are discussed in this chapter and throughout this manual. This manual should remain with the rifle and it should be transferred with the rifle to subsequent owners. Additional manuals can be ordered from Barrett Firearms Manufacturing or can be downloaded from the company website, **barrett.net**. Technical specifications are subject to change without notice. Please ensure you have the most updated revision of this manual by checking **barrett.net**.

SAFETY GUIDELINES

⚠ WARNING

**FAILURE TO FOLLOW SAFETY GUIDELINES
MAY CAUSE INJURY OR DEATH**

AMMUNITION

Do not use hand loaded, re-manufactured, or surplus ammunition. Always use new, clean, dry, properly stored, and correct caliber ammunition from reputable manufacturers.

SAFETY DISTANCE

Bullets fired from this rifle may travel as far as 4 miles. Make certain that you have an adequate backstop.

HEARING PROTECTION

Always wear adequate hearing protection when the rifle is firing; wear both earplugs and shooting muffs together for maximum protection. This includes observers. Observers should always be behind the shooter.

EYE PROTECTION

Appropriate eye protection should be worn when both shooting and maintaining your rifle. It is normal for firing to generate airborne dust and debris. Protect your eyes from solvents and uncaptured parts under spring pressure while performing maintenance on your rifle.

MUZZLE CONTROL

Always keep the muzzle pointed in a safe direction. Never allow your muzzle to point at anything that you do not intend to shoot. Upon firing the muzzle brake (if applicable) releases high-pressure gas from its side ports that can damage objects or cause injuries, keep everything away from the vicinity of the muzzle brake.

ASSUME EVERY FIREARM IS LOADED

Always treat every firearm as if it were loaded. Look and feel for an empty chamber. Do not trust the extractor to provide an empty chamber.

BEWARE OF BARREL OBSTRUCTIONS

Ensure the barrel's bore is free of obstructions before you fire your rifle. Even the smallest obstruction such as a stuck patch or even grease will cause increased pressures that can rupture the barrel.

KEEP YOUR FINGER OFF THE TRIGGER

Keep your finger off the trigger and out of the trigger guard until your sights are aligned on your target and you intend to fire.

KEEP YOUR SAFETY ON

Keep your safety on until your sights are aligned on your target and you intend to fire.

FAILURE TO FIRE

If your rifle fails to fire when you pull the trigger, do not open the action. Keep the rifle pointed toward a safe area and wait 2 minutes. If a hang-fire (slow ignition) has occurred, the round will probably fire within two minutes. If the round does not fire, remove and inspect the cartridge. If the primer is indented properly, discard it in a safe manner.

MAINTAIN YOUR RIFLE PROPERLY

Performing proper maintenance, as outlined in this manual, insures that your rifle will be safe to shoot and will perform to design specification for many years. Alterations, modifications or adjustments may damage your rifle, make it unsafe to fire, and will void warranty claims.

STORE YOUR RIFLE SAFELY

It is your responsibility to take reasonable precaution to secure your rifle, keep it properly secured and prevent unauthorized use.

ALCOHOL, MEDICATIONS AND DRUGS

Do not handle or operate your rifle under the influence of alcohol, medication, or drugs.

WARRANTY AND SERVICE

For one year from date of purchase, Barrett Firearms Manufacturing Inc. (BFMI), warrants to the original owner, that this product was manufactured free of defects in materials and workmanship. BFMI will correct any defect covered under the warranty by repair or replacement with the same or comparable model. BFMI will not be responsible for injury, death, or damage to property resulting from either intentional or accidental discharge of this firearm or from its function when used for purposes or subjected to treatment for which it was not designed. BFMI will not honor claims involving this product which result from careless or improper handling, unauthorized adjustment or parts replacement, corrosion, neglect, the use of the wrong caliber ammunition, or the use of other than commercially manufactured ammunition in good condition, or any combination thereof. Please visit **barrett.net** for any additional information.

If you need factory service, whether covered under warranty or not, please contact BFMI for instructions on how to have your rifle repaired.

Barrett Firearms Manufacturing Inc.
P.O. Box 1077
Murfreesboro, TN 37133-1077
615-896-2938

DESCRIPTION OF FIREARM

The Fieldcraft rifle (**FIGURE 1**) is a manually operated lightweight bolt action rifle fed from an internal magazine. Utilizing military and aerospace-grade materials, the Fieldcraft rifle is designed to be as strong and lightweight as possible without compromising accuracy.

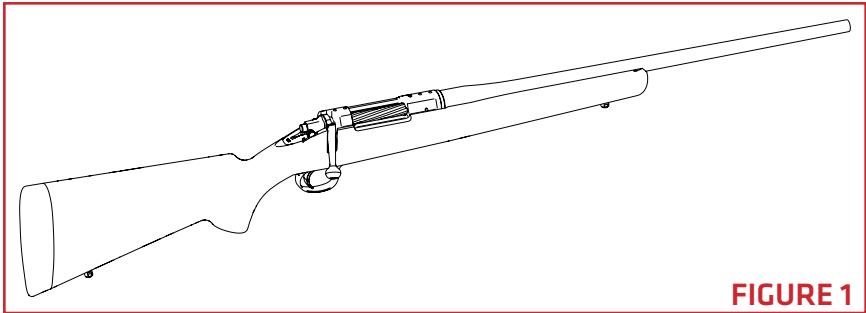


FIGURE 1

BREAK-IN PROCEDURE

Barrett does not offer a specific procedure for barrel break-in other than checking for obstructions and using your new rifle.

Experience has shown that the bore becomes less prone to fouling over time and that accuracy may improve with use. Ensure that the rifle is adequately lubricated and follow the loading/unloading and safety procedures when operating your rifle.

SPECIFICATIONS

Caliber	Barrel Length	Overall Length	Weight	Action	Twist	Magazine Capacity
.243 WIN	21	41.9 in (1064.3 mm)	4.75 lbs (2.15 kg)	Short	1:7	4+1
22-250 REM	21			Short	1:7	4+1
6.5 CREED	21			Short	1:8	4+1
7MM-08 REM	21			Short	1:8	4+1
.308 WIN	21			Short	1:10	4+1
.25-06 REM	24	44.3 in (1125.2 mm)	5.5 lbs (2.49 kg)	Long	1:9	4+1
.270 WIN	24			Long	1:10	4+1
.30-06 SPRG	24			Long	1:10	4+1
6.5x55 SWE	24			Long	1:8	4+1

NOTE: INDIVIDUAL RIFLE SPECIFICATIONS AND WEIGHT MAY VARY PER ORDER AND CONFIGURATION.

Barrett reserves the right to change specifications without notification.

MAJOR COMPONENTS - FIGURE 2

1. Bolt
2. Barreled Action
3. Trigger Assembly
4. Magazine Assembly
5. Stock

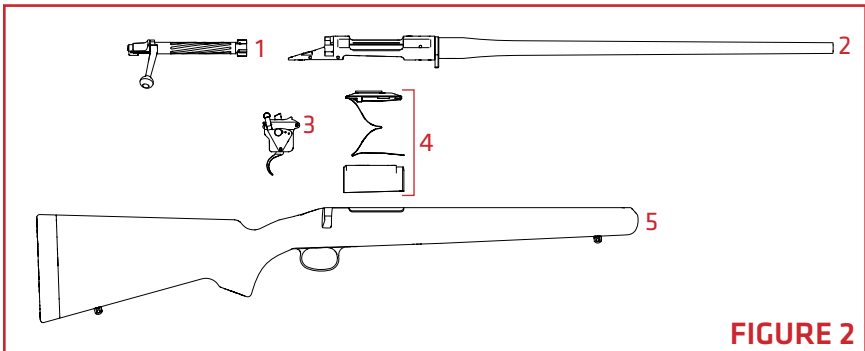
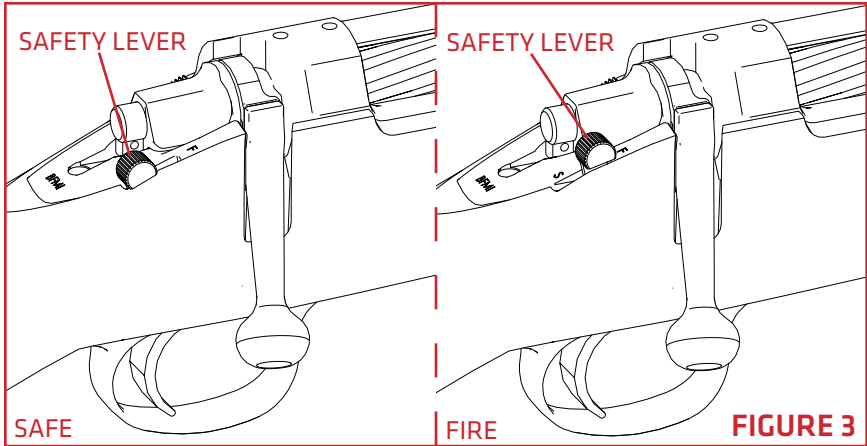


FIGURE 2

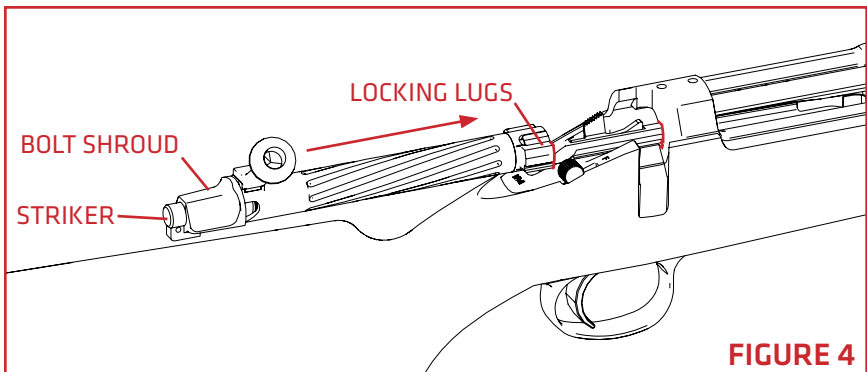
SAFETY MECHANISM - FIGURE 3

The Fieldcraft rifles have a two-position safety: “S” (safe) or “F” (fire). Pull the safety lever rearward for the “S” (safe) position. While in the “S” (safe) position the bolt will function freely. Push the safety lever forward into the “F” (fire) position.



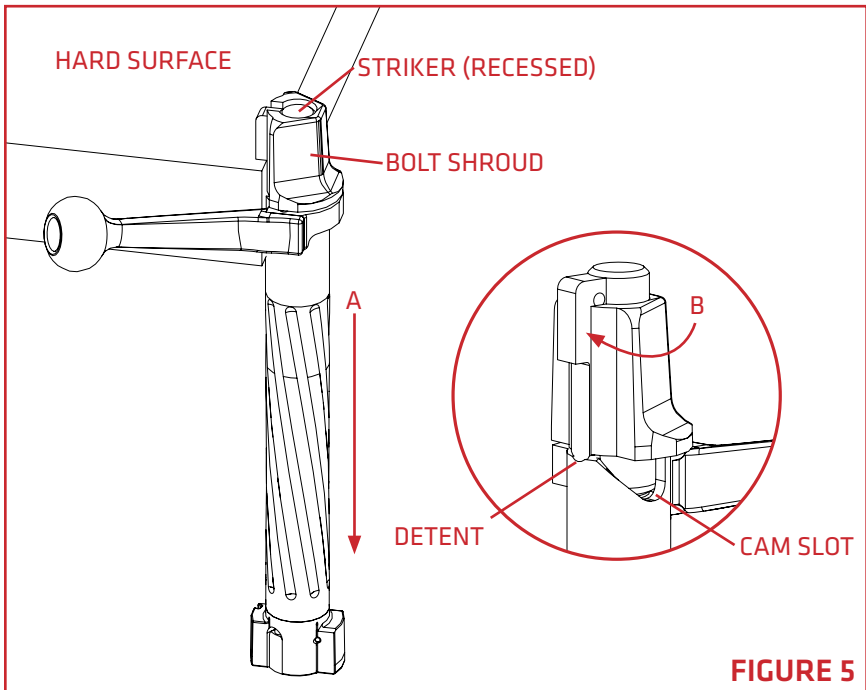
INSTALLING THE BOLT

1. Ensure the safety lever is in the “S” (safe) position.
2. Align the lugs on the bolt with the receiver and insert the bolt fully into the receiver. The firing pin must be cocked before the bolt can be installed into the receiver. If the striker is exposed from the bolt shroud, the firing pin is cocked (**FIGURE 4**).



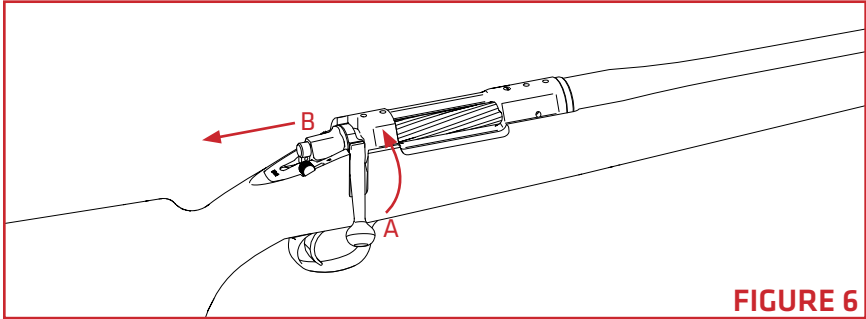
NOTE: THE BOLT SHOULD SNAP PAST THE BOLT STOP AND SLIDE EASILY INTO PLACE. IF THE BOLT IS DIFFICULT TO INSTALL, VERIFY IT IS COCKED AND ORIENTED CORRECTLY.

3. If the firing pin is not cocked the striker will not be exposed from the bolt shroud and the bolt will not install in the receiver. To cock the firing pin, place the edge of the striker on a hard surface and pull the bolt body downward to expose the striker from the bolt shroud (**FIGURE 5-A**). With the striker exposed, rotate bolt shroud so the striker sits in the small detent outside the cam slot on the bolt body (**FIGURE 5-B**).

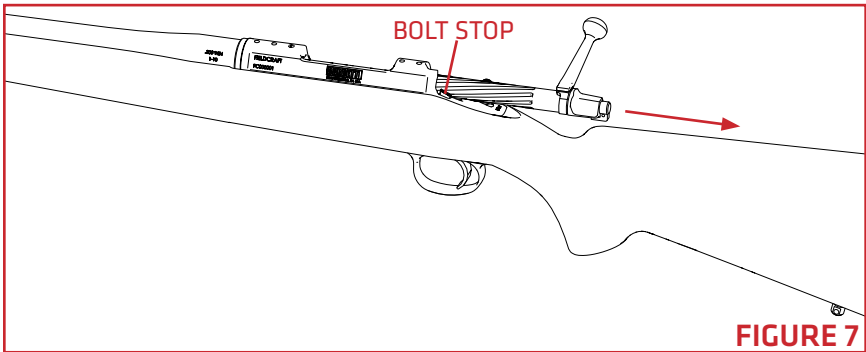


REMOVING THE BOLT

1. Ensure the safety lever is in the “S” (safe) position.
2. Lift the bolt handle (**FIGURE 6-A**) and pull the bolt completely to the rear (**FIGURE 6-B**).

**FIGURE 6**

3. Depress the bolt stop and pull the bolt from the receiver (**FIGURE 7**).

**FIGURE 7**

NOTE: WITH THE BOLT STOP DEPRESSED, THERE SHOULD BE NO SIGNIFICANT BINDING OF THE BOLT UPON REMOVAL. IF DIFFICULT TO REMOVE, ENSURE THE BOLT STOP IS FULLY DEPRESSED OR CHECK FOR OBSTRUCTIONS.

LOADING AND FIRING

1. Ensure the safety lever is in the “S” (safe) position.
2. Open and retract the bolt to the rear. The magazine follower will now be visible through the open action (**FIGURE 8**).

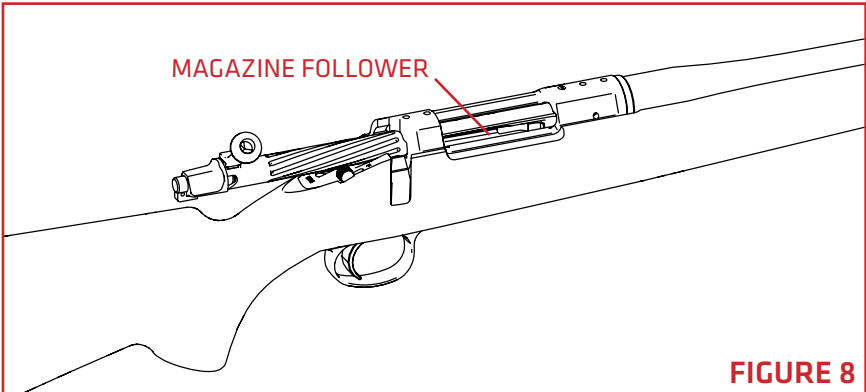


FIGURE 8

3. Insert the cartridges by placing them on top of the follower (or next cartridge) and pressing down until the cartridge snaps into place (**FIGURE 9**). Ensure the cartridge seats fully rearward in the magazine. Failure to do so may impede further loading or function.

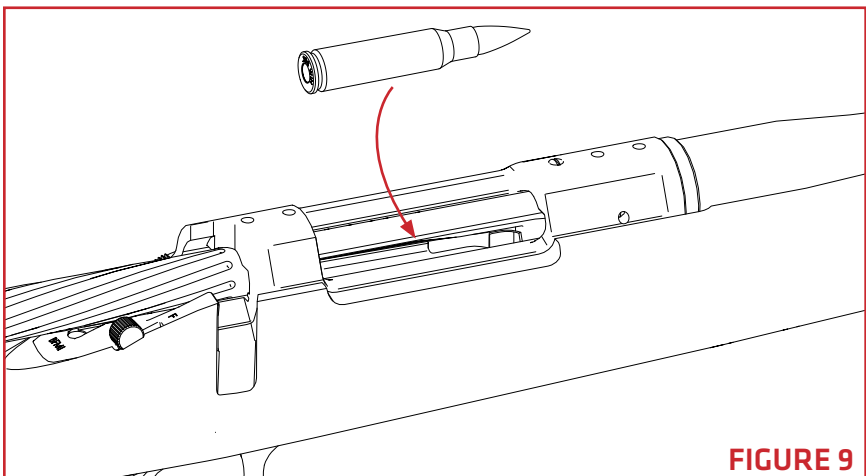


FIGURE 9

4. Push the bolt handle forward (**FIGURE 10-A**), then down (**FIGURE 10-B**) to remove a cartridge from the magazine and lock the cartridge into the chamber.

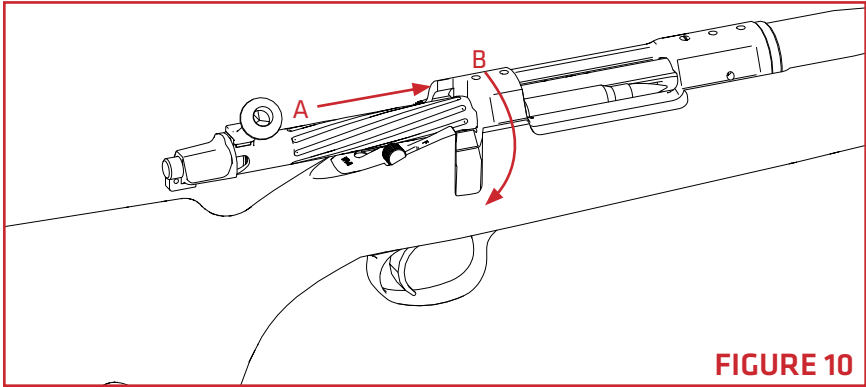


FIGURE 10

⚠ WARNING

DO NOT ATTEMPT TO FORCE A CARTRIDGE INTO THE CHAMBER BY FORCING THE BOLT CLOSED. IF THE BOLT DOES NOT CLOSE EASILY, REMOVE THE CARTRIDGE AND EXAMINE IT FOR DAMAGE OR DEFECTS. CHECK THE CHAMBER FOR OBSTRUCTIONS.

5. Push the safety lever forward to the fire position to disengage the safety. The rifle is now able to fire.
6. Pulling the trigger will fire one (1) cartridge.

CYCLING THE ACTION

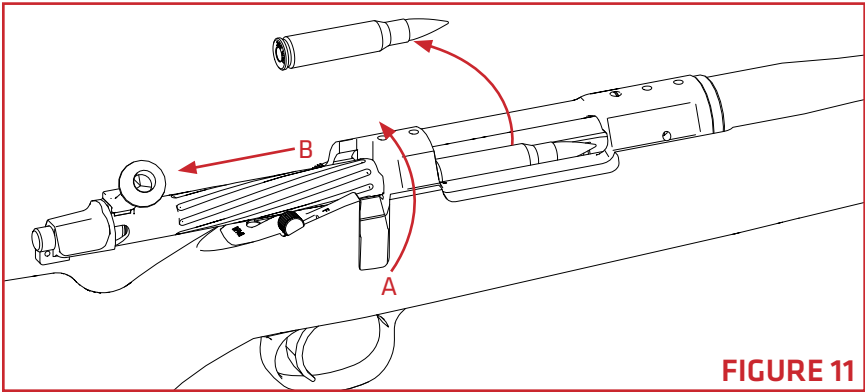
To cycle the action after firing, lift the bolt handle up, then pull it fully to the rear. This action will extract the spent cartridge casing from the chamber and eject it from the rifle. Close the bolt again to load the next round from the magazine and enable the rifle to fire. You may repeat this procedure until the magazine is empty or return safety lever to the “S” (safe) position until ready to fire again.

⚠ WARNING

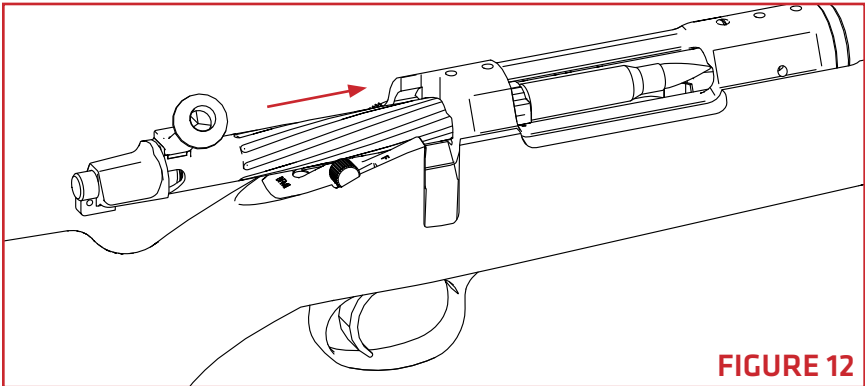
RECENTLY FIRED BRASS MAY BE VERY HOT.

UNLOADING

1. With the safety lever in "S" (safe) position, lift (**FIGURE 11-A**) and retract (**FIGURE 11-B**) the bolt to extract a chambered cartridge.



2. If the magazine is loaded with additional cartridges, slowly push the bolt forward until the cartridge is released from the magazine (**FIGURE 12**).



3. Once the cartridge is free from the magazine, pull the bolt completely to the rear (**FIGURE 13-A**) and manually remove the loose cartridge (**FIGURE 13-B**).

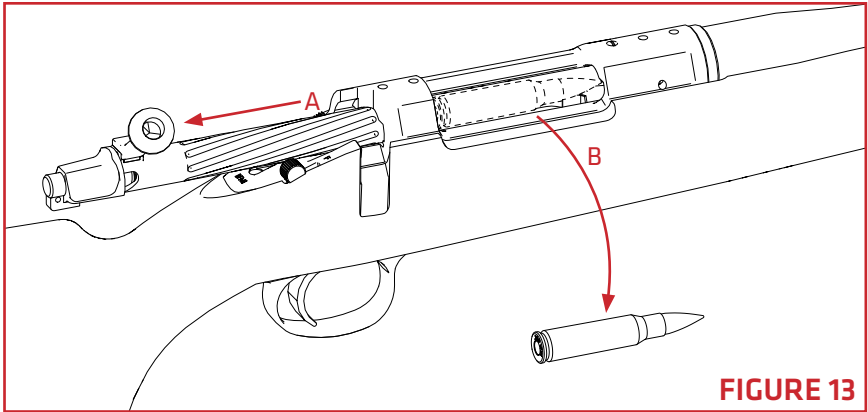


FIGURE 13

3. Repeat steps 2 and 3 until the magazine is empty.

DISASSEMBLY

⚠ WARNING

UNLOAD THE RIFLE BEFORE DISASSEMBLY. ENSURE THAT LIVE AMMUNITION IS NOT PRESENT DURING DISASSEMBLY OR ASSEMBLY.

1. With the safety in “S” (safe) position, open and retract the bolt to the rear.
2. When the bolt is fully rearward, depress the bolt stop. The bolt can now be removed through the rear of the receiver.
3. Remove the rear trigger guard screw (FIGURE 14).

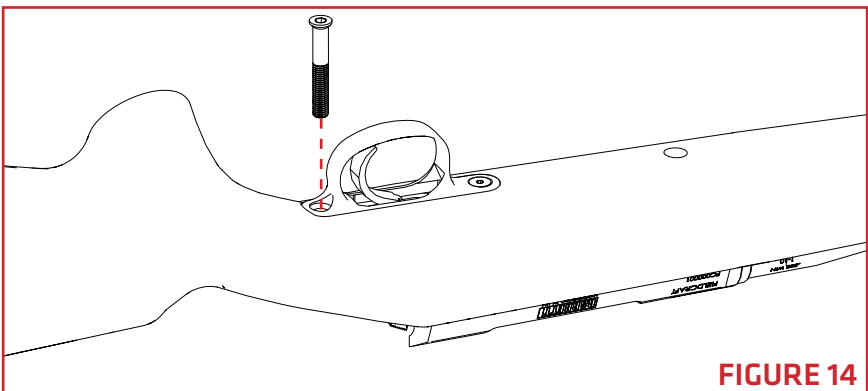
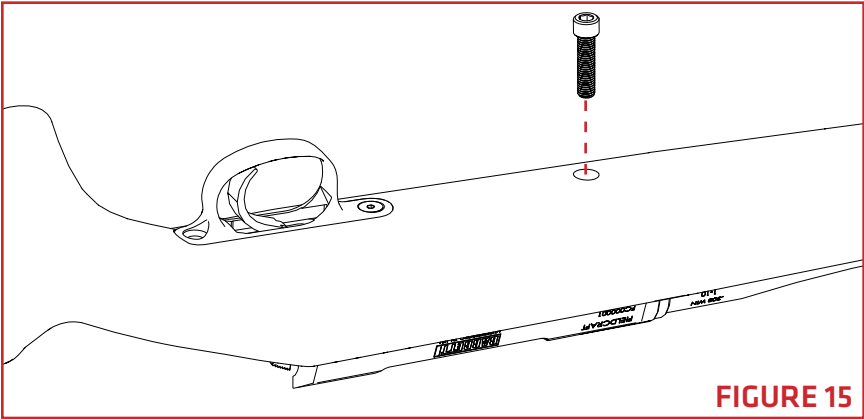
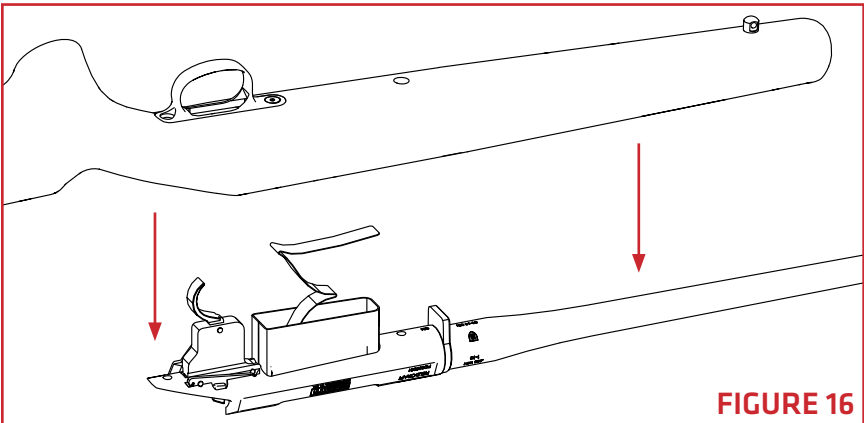


FIGURE 14

- Support the barreled action and remove the center screw (FIGURE 15).



- Carefully separate the stock and the action (FIGURE 16).

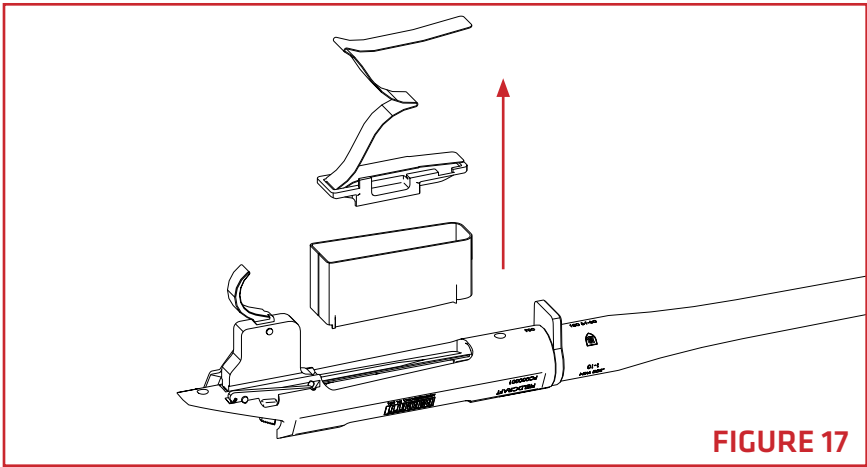


⚠ CAUTION

PULL THE STOCK STRAIGHT AWAY FROM ACTION. ATTEMPTING TO PRY ACTION AWAY FROM THE STOCK USING THE BARREL MAY RESULT IN DAMAGE TO THE FIREARM.

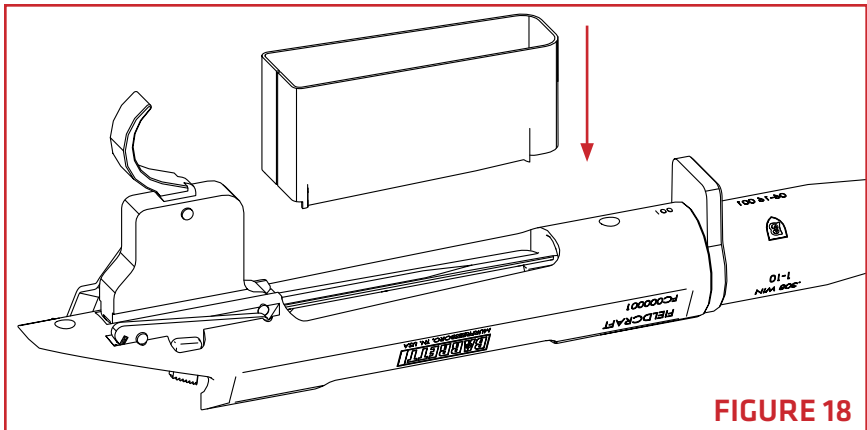
NOTE: WITH THE STOCK REMOVED FROM THE ACTION, THE MAGAZINE SPRING, MAGAZINE FOLLOWER, AND MAGAZINE BODY MAY FALL FREE.

6. Remove the magazine spring, follower, and body from the underside of the receiver (**FIGURE 17**).

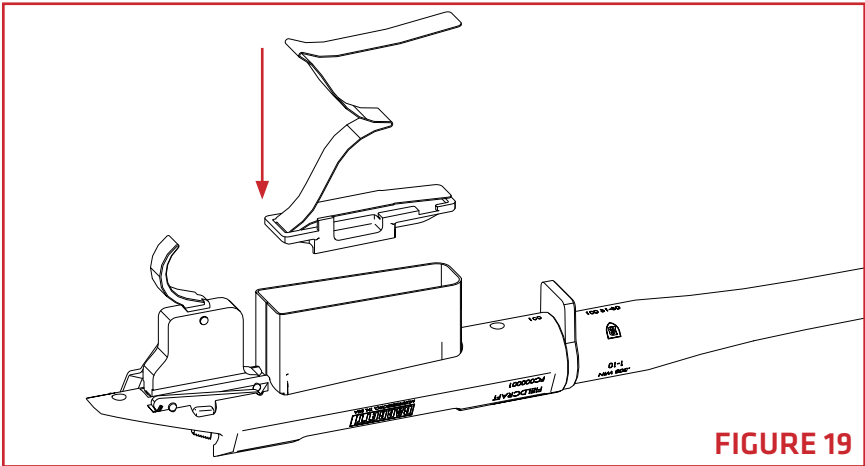
**FIGURE 17**

ASSEMBLY

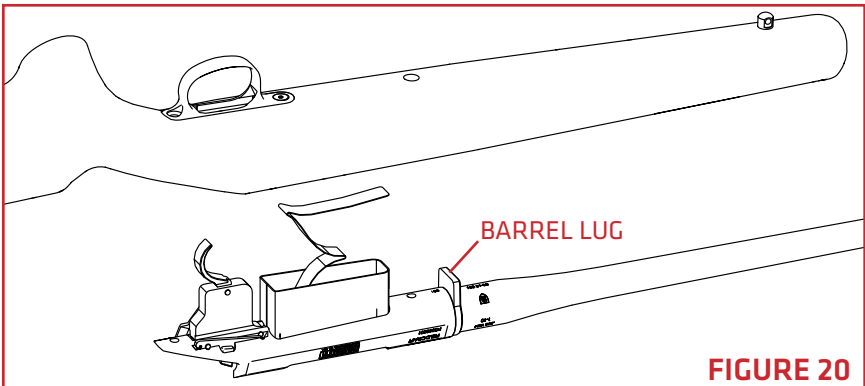
1. Insert the magazine body into the underside of the receiver. For proper function, the magazine body may only be inserted into the receiver in the orientation shown below (**FIGURE 18**).

**FIGURE 18**

2. Place the magazine spring and follower assembly into the magazine body (**FIGURE 19**).

**FIGURE 19**

3. Combine the upper assembly and stock ensuring the magazine spring and barrel lug seats into the appropriate cavity of the stock when assembling (**FIGURE 20**).

**FIGURE 20**

NOTE: THE STOCK SHOULD INSTALL WITH LITTLE RESISTANCE. IF YOU ENCOUNTER SIGNIFICANT RESISTANCE DURING INSTALLATION, DO NOT FORCE THE UPPER ASSEMBLY AND STOCK TOGETHER. ENSURE ALL COMPONENTS ARE INSTALLED CORRECTLY BEFORE PROCEEDING.

4. Install the center screw and torque to 80 in-Lb (9 N-m) (**FIGURE 21-A**).
5. Install the rear trigger guard screw and torque to 36 in-Lb (4 N-m) (**FIGURE 21-B**).

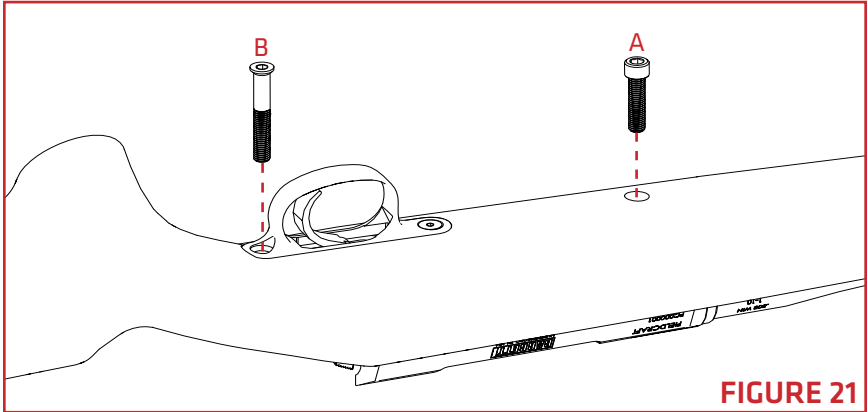


FIGURE 21

6. Depress the magazine follower to ensure proper function.
7. Install the bolt.

CLEANING AND LUBRICATION

Periodic cleaning and lubrication is important for a long life of high performance from your rifle and prevents the corrosive effects of moisture.

Materials used for cleaning can be found online at barrett.net/store.

WARNING

UNLOAD THE RIFLE BEFORE CLEANING. ENSURE THAT NO LIVE AMMUNITION IS PRESENT DURING CLEANING.

CAUTION

DO NOT INSERT CLEANING RODS THROUGH THE MUZZLE. THE BARREL CROWN COULD BE DAMAGED WHICH WOULD SEVERELY DEGRADE THE ACCURACY OF THE RIFLE.

1. Clean the chamber area with an appropriate sized brush and solvent. Inspect for irregular or excessive carbon build-up, scoring or other chamber damage.
2. Swab the chamber with a clean, dry, patch prior to next use.
3. Clean the bore with an appropriate sized bore brush and solvent. Clean from chamber to muzzle ONLY, as cleaning in this direction minimizes opportunity for muzzle damage.
4. Swab the bore with a clean, dry patch prior to next use.
5. Brush the inside of the receiver with a nylon brush to remove any carbon deposits or un-burnt powder residue.
6. Wipe all surfaces on the barreled action and bolt with a lightly oiled lint-free cloth to inhibit corrosion.
7. Wipe the magazine spring, magazine follower, and magazine body with a LIGHTLY oiled lint-free cloth to remove any carbon or un-burnt powder residue and to inhibit corrosion. Remove all excess oil from the magazine assembly before reassembly.

8. Brush the sear with a nylon brush and remove any carbon deposits or un-burnt powder residue.
9. Lubricate the sides and rear face of the bolt lugs and the surface of the striker that interfaces with the sear (**FIGURE 22-A**).
10. Lubricate cam surfaces on the inside of the receiver that the bolt (**FIGURE 22-B**).
11. Lubricate the pivot point and the sliding parts of the safety (**FIGURE 22-C**).

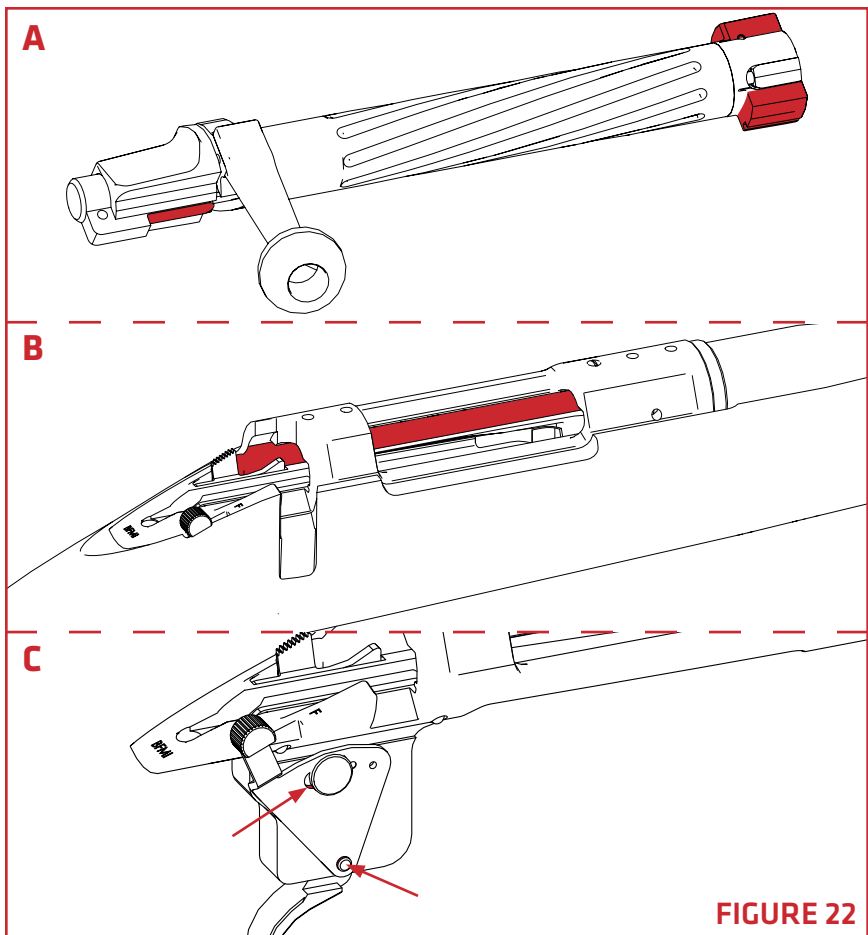


FIGURE 22

FUNCTION CHECK

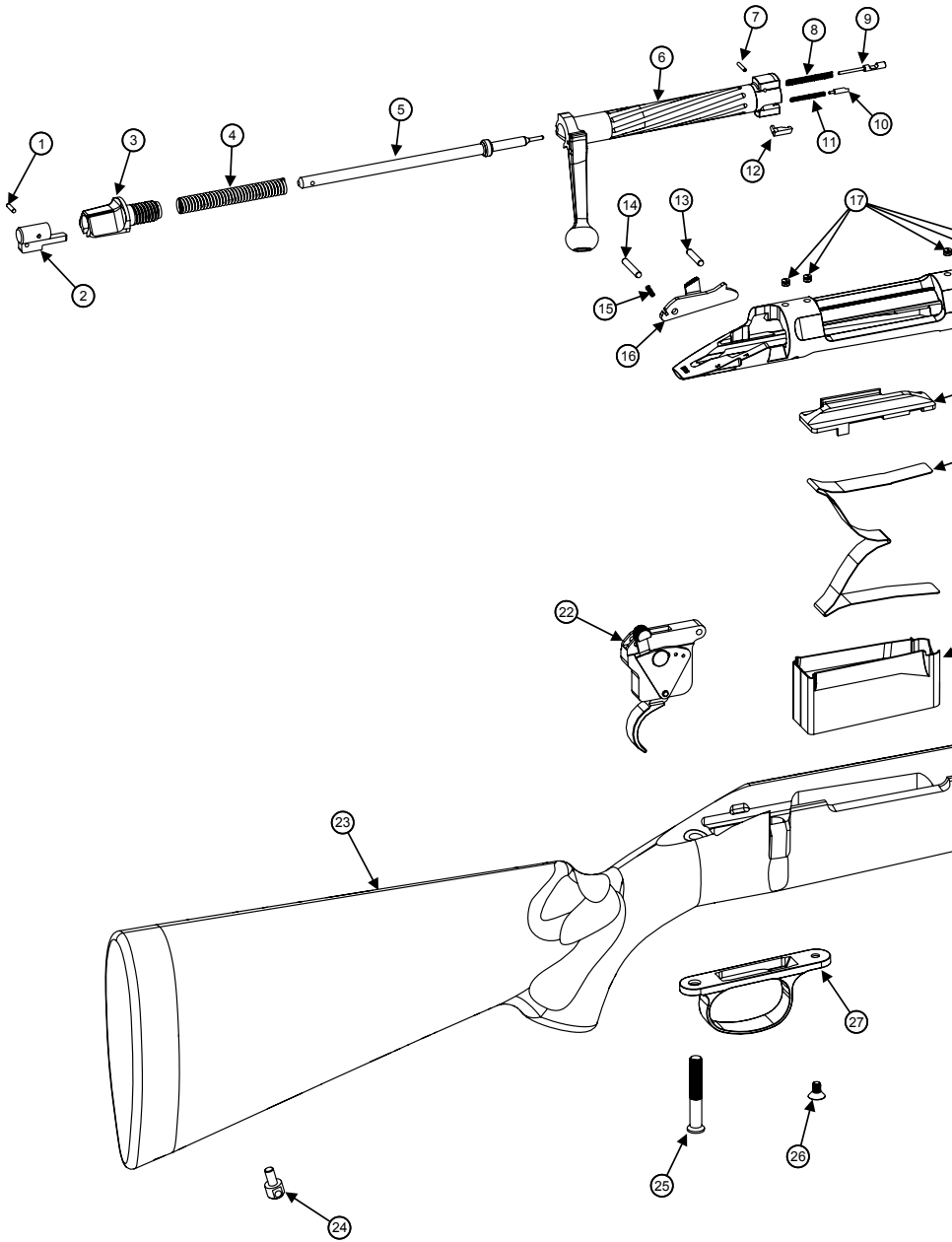
⚠ WARNING

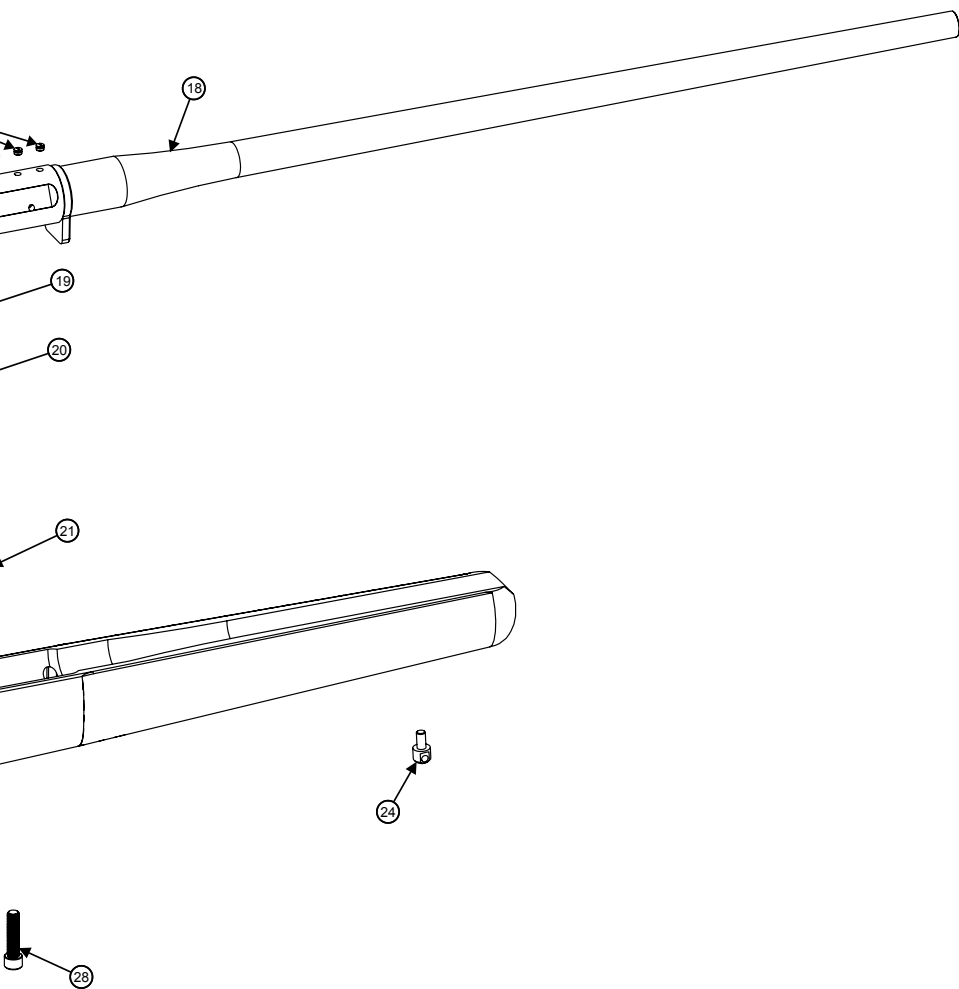
FUNCTION CHECK IS TO BE PERFORMED WITHOUT LIVE AMMUNITION. FAILURE TO PROPERLY CLEAR THE FIREARM CAN RESULT IN INJURY OR DEATH.

1. Open bolt and verify the chamber and magazine are empty.
2. Load a dummy cartridge.
3. Close and lock bolt.
4. Place the safety lever in the “S” (safe) position, and with the firearm pointed in a safe direction pull the trigger. The firing pin should not fall.
5. Place the safety in the “F” (fire) position and attempt to cycle the bolt. The bolt should move freely, even with the safety on.

NOTE: IF FIREARM DOES NOT PASS ANY PART OF THE FUNCTION CHECK, CONTACT BARRETT IMMEDIATELY.

EXPLODED VIEW AND PARTS LIST





ITEM NO.	DESCRIPTION	QTY.
1	FIRING PIN RETAINING PIN	1
2	STRIKER	1
3	BOLT SHROUD	1
4	FIRING PIN SPRING	1
5	FIRING PIN	1
6	BOLT	1
7	EJECTOR PIN	1
8	EJECTOR SPRING	1
9	EJECTOR	1
10	EXTRACTOR PLUNGER	1
11	EXTRACTOR SPRING	1
12	EXTRACTOR	1
13	TRIGGER HOUSING PIN	1
14	BOLT STOP PIN	1
15	BOLT STOP SPRING	1
16	BOLT STOP	1
17	SCOPE RING SET SCREW	5
18	BARRELED ACTION	1
19	MAGAZINE FOLLOWER	1
20	MAGAZINE SPRING	1
21	MAGAZINE BODY	1
22	TRIGGER ASSEMBLY	1
23	STOCK	1
24	SLING SWIVEL STUD	2
25	REAR GUARD SCREW	1
26	FRONT GUARD SCREW	1
27	TRIGGER GUARD	1
28	CENTER SCREW	1



P.O. Box 1077
Murfreesboro, TN 37133 USA
615.896.2938
615.896.7313 fax
barrett.net