

AMERICAN TACTICAL FX-45 SERIES 1911 SERIES SEMI AUTOMATIC PISTOL



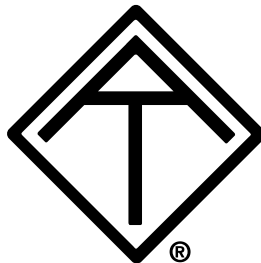
FIREPOWER XTREME

OWNERS MANUAL



WARNING

BEFORE USING THIS FIREARM;
COMPLETELY READ AND FOLLOW THESE INSTRUCTIONS



AMERICAN TACTICAL

231 DEMING WAY, SUMMERVILLE, SC 29483
800-290-0065 · FAX 843-328-0945 · WWW.AMERICANTACTICAL.US



WARNING

BEFORE USING THIS FIREARM;
COMPLETELY READ AND FOLLOW THESE INSTRUCTIONS

WARNING

If this firearm is carelessly or improperly handled, unintentional discharge could result and could cause personal injury, death or damage to property. **FOR YOUR SAFETY AND THE SAFETY OF OTHERS**, this Operations Manual contains important instructions, warnings and safety procedures that must be understood **BEFORE** using your American Tactical firearms. It is imperative that you read the **ENTIRE MANUAL** and if you do not understand any part of it or the operation of your American Tactical firearm, you should seek professional firearms instruction. Never disassemble your firearm beyond what is shown in Fig. 1-4 of this manual

NOTICE

American Tactical shall not be responsible for personal injury, death or damage to property resulting from either intentional or accidental discharge of this firearm, or from its function when used for purposes or subjected to treatment for which it was not designed.

American Tactical will not honor claims involving this firearm which result from careless or improper handling, unauthorized adjustment or parts replacement, corrosion, neglect, or the use of wrong caliber ammunition, other than original high quality commercially manufactured ammunition in good condition, or any combination thereof. American Tactical will not honor claims involving this firearm for any reason or cause when the second or subsequent owner makes such claims. Before the pistol left the factory, this firearm was tested, carefully inspected and packaged. American Tactical cannot control product handling after it leaves the factory; therefore please examine this firearm carefully at the time of purchase to ensure that it is unloaded and undamaged.

WARNING

Children are attracted to and can operate firearms that can cause severe injuries or death. Prevent child access by always keeping guns locked away and unloaded when not in use. If you keep a loaded firearm where a child obtains and improperly uses it, you may be fined or sent to prison

ADVERTENCIA

A los niños les atraen las armas de fuego y las pueden hacer funcionar.

Ellos pueden causarse lesiones graves y la muerte. Evite que los niños tengan acceso a las armas de fuego guardándolas siempre con llave y descargadas cuando no las este utilizando. Si usted tiene una arma de fuego cargada en un lugar en que un niño tiene acceso a ella y la usa indebidamente, le pueden dar una multa o enviarle a la cárcel.

GENERAL HANDLING CAUTIONS

1. Do NOT alter or modify your firearm, have it serviced regularly!
2. Always handle your firearm as if it is loaded.
3. Never point your firearm at anything you don't intend to shoot.
4. Always make sure your firearm is not loaded and the slide is latched open and to the rear before laying it down or handing it to someone.
5. Never leave a loaded firearm unattended.
6. Always be sure bore, muzzle, chamber and action are clear of obstruction.
7. Always check that ammunition is clean and undamaged.
8. Never drink alcoholic beverages or take drugs before or during shooting.
9. Always wear eye and ear protection when shooting.
10. Always keep safety on "SAFE" when the firearm is loaded and a round is chambered until ready to shoot.
11. Never attempt to fire if water is in the bore.
12. Never indulge in "horseplay" when holding your firearm.

AMERICAN TACTICAL LIMITED TWO YEAR WARRANTY

Who and what is covered by this warranty and for how long?

American Tactical warrants to you, the original purchaser of a new firearm within this series that, for two years from the date of purchase in the United States or Canada, your firearm will be free from defects in material and workmanship.

What will American Tactical do if you discover a defect?

If you make a claim within the warranty period following the instructions given in this warranty, we will, at our option, repair the defect(s), or replace the firearm at no cost to you. If we send you a new firearm, we will keep the defective one.

What must you do to make a claim under this warranty?

First, when you purchase your firearm, you must complete the online warranty registration card at <http://www.AmericanTactical.us> by selecting the Registration tab. Then, if you discover a defect, you must notify our authorized warranty repair center before the end of the two-year period. You may either write or call American Tactical.

What is not covered under warranty?

We will not cover damage of your firearm caused by:

- Failure to provide proper care and maintenance
- Accidents, abuse or misuse
- Barrel obstruction
- Hand loaded, reloaded or improper ammunition
- Unauthorized adjustments, repairs or modifications
- Normal wear and tear

What is excluded from this warranty?

American Tactical excludes and will not pay incidental or consequential damages under this warranty. By this we mean any loss, expense or damages other than to repair defects in the firearm or replace the firearm.

No implied warranties extend beyond the term of this written warranty. This firearm warranty is established effective November 1, 2009.

COMPLETE WARRANTY ONLINE AT WWW.AMERICANTACTICAL.US

REGISTER YOUR 1911 SERIES FIREARM ONLINE NOW

THE ONLINE WARRANTY REGISTRATION IS NOW AVAILABLE AT WWW.AMERICANTACTICAL.US. STOP BY THE SITE TO REGISTER AND SEE ALL OUR NEW PRODUCTS.

INFORMATION

	Weight:	Barrel Length:	Overall Length:	Magazine Cap.:
FX Thunderbolt 1911	2.31 lbs.	5 in.	8.46 in	8 RD
FX Military 1911	2.31 lbs.	5 in.	8.46 in	8 RD
FX GI 1911	2.09 lbs.	4.25 in.	7.87 in.	8 RD
FX Titan LW 1911	1.75 lbs.	3.125 in.	6.93 in	7 RD
FX Fatboy LW	2.4 lbs.	3.125 in.	6.93 in	10 or 12 RD

GENERAL DISASSEMBLY INFORMATION:

The following instructions should be observed during disassembly and assembly.

1. Before the pistol is disassembled, make sure there is no ammunition in the chamber or magazine.
2. The pistol should be disassembled on a table or bench.
3. The parts should be laid out in order of disassembly.
4. Force should not be used to remove or disassemble parts, as it may result in damage to the parts.
5. Only accessories in good condition should be used.
6. When tightening or loosening screws, hold the screwdriver firmly to prevent damage to the screw heads

OPERATIONS

Unloading

1. Point the gun in a safe direction.
2. Press the magazine release button to remove the magazine.
3. From top and rear, carefully inspect the chamber to make sure it is empty.
4. Hold the slide, disengage the slide stop, ease the slide forward.
5. Carefully lower the hammer.

Loading

1. Place the EMPTY magazine in the magazine well, located in the bottom of the pistol grip. Push firmly enough on the bottom of the magazine to make sure it is properly seated. A distinctive "click" will confirm the magazine has been properly inserted. Pull the slide all the way to the rear, until it locks back.
2. Depress the magazine release and release the magazine. Place the rim of the first cartridge on the front of the follower. Then push down on the follower and slide the cartridge under the lips of the magazine and to the rear. Load successive rounds the same way. Use only clean, dry, original, high quality, commercially manufactured ammunition.
3. Re-insert magazine into the magazine well, located in the bottom of the pistol grip. Push firmly enough on the bottom of the magazine to make sure it is properly seated.
4. Point the gun in a safe direction and keep your finger off the trigger. Push down on the slide safety to allow the slide to move forward and load a shell from the magazine into the chamber.

Hammer Lowering

1. Point the gun in a safe direction and ensure pistol is unloaded.
2. Firmly hold the gun, depressing the grip safety.
3. Using your non-shooting hand, firmly grasp the hammer with your thumb and forefinger.
4. Be prepared for hammer movement. Squeeze trigger.
5. SLOWLY lower the hammer with thumb and forefinger until it is fully forward.
6. Release the trigger. (If the trigger is released early the gun may be on safety stop.)

MISFEEDING

GENERAL PROCEDURE FOR PREVENTING MISFEEDING:

With proper maintenance, storage and handling; the pistol is reliable in use. However, as a result of careless handling, dirty parts, low-grade rounds, and also as a result of wear of the parts caused by extensive use, normal operation of the pistol can be affected, causing stoppages during fire. The majority of stoppages can be easily eliminated simply by cocking the pistol that is by bringing to the rear the bolt carrier and releasing it.

FX45 1911 SERIES MODELS



SKU# ATIGFX45THUN
FX Thunderbolt



SKU# ATIGFX45THE
FX Thunderbolt Enhanced



SKU# ATIGFX45MIL
FX Military



SKU# ATIGFX45GI
FX GI



SKU# ATIGFX45FBLW
FX FatBoy LW



SKU# ATIGFX45TIL
FX Titan LW



FIREPOWER XTREME

DISASSEMBLY

Step 1 - Magazine & Chamber Check

1. Press the magazine catch and remove the magazine.
2. Pull slide backwards and check the no cartridge is in the chamber.
3. Release the slide allowing it to go forward position.



Step 2 - Recoil Spring Removal

1. Move slide rearward, approximately 1/2 inch, grasp firmly to hold in place, and depress recoil spring plug with thumb.
2. Point muzzle away from face and rotate barrel bushing clockwise.
3. Do not rotate bushing off of plug unless you have control of plug and spring.



Step 3 - Disassembly

1. Cautiously allow plug and recoil spring to move forward.



Step 4 - Slide Stop Removal

1. Align disassembly notch on slide with slide stop.
2. Press the slide stop shaft on the right side of frame and remove the slide stop by pulling it out the left side of the frame.



Step 5 - Slide Removal

1. Pull slide forward in its guides and remove slide. The barrel, barrel bushings, recoil spring and guide will come with it.

Step 6 - Recoil Spring Components Removal

1. Remove recoil spring and guide through back side



Step 7 - Barrel Removal

1. Rotate the barrel bushing to the left of the slide and remove it through the front.
2. Tilt the barrel link forward and remove the barrel from the front of the slide.



DISASSEMBLY - TITAN MODEL ONLY

Step 1 - Verify the firearm is unloaded.



Step 2 - Rack the slide back remove the slide stop.



Step 3 - Rack the slide forward and remove the slide from the frame.



Step 4 - Remove the stabilizer and springs.



Step 5 - Remove the reverse plug.



Step 6 - Remove the barrel.



PARTS IDENTIFICATION

EXPLODED VIEW

Drawing Part or Assy.

Ref. #	Name
1.	Barrel
1A.	Barrel-GI
1B.	Barrel-Titan Blue
1C.	Barrel-Titan Stainless
2.	Barrel Bushing
2A.	Barrel Bushing-GI
3.	Barrel Link
4.	Barrel Link Pin
5.	Disconnect
6.	Ejector
7.	Ejector Retaining Pin
8.	Extractor
9.	Firing Pin
10.	Firing Pin Spring
11.	Firing Pin Stop
12.	Front Sight
12A.	Front Sight-Titan/Thunderbolt
13.	Safety Grip
13A.	Safety Grip-GI/Titan/Thunderbolt
14.	Hammer
14A.	Hammer-GI/Titan/Thunderbolt
15.	Hammer Pin
16.	Hammer Strut
17.	Hammer Strut Pin
18.	Magazine
18A.	Magazine-Titan
19.	Magazine Catch
20.	Magazine Catch Lock
21.	Magazine Catch Spring
22.	Grip Screw (4)
23.	Grip Screw Bushings (4)
24.	Hammer Spring
25.	Mainspring Cap
26.	Mainspring Cap Pin
27.	Mainspring Housing
27A.	Mainspring Housing-Titan
27B.	Mainspring Housing-Thunderbolt
28.	Mainspring Housing Pin
29.	Mainspring Housing Pin Retainer
30.	Recoil Spring Plug
30A.	Recoil Spring Plug-GI
30B.	Recoil Spring Plug-Thunderbolt
30C.	Recoil Spring Plug-Titan Reverse Plug Blue
30D.	Recoil Spring Plug-Titan Reverse Plug Chrome
30E.	Recoil Spring Plug-Titan Secondary Plug Blue
30F.	Recoil Spring Plug-Titan Secondary Plug Chrome
31.	Plunger Spring
32.	Plunger Tube
33.	Rear Sight
33A.	Rear Sight-Titan Novak
33B.	Rear Sight-Thunderbolt LPA
34.	Frame
34A.	Frame-GI
34B.	Frame-Thunderbolt
34C.	Frame-Titan Stainless
34D.	Frame-Titan Blue
35.	Recoil Spring
35A.	Recoil Spring-GI
35B.	Recoil Spring-Titan
36.	Recoil Spring Guide
36A.	Recoil Spring Guide-GI
36B.	Recoil Spring Guide-Thunderbolt
36C.	Recoil Spring Guide-Titan Blue
36D.	Recoil Spring Guide-Titan Chrome
37.	Safety Lock
37A.	Safety Lock-GI
37B.	Safety Lock-Thunderbolt (Ambi)
38.	Safety Lock Plunger
39.	Sear
40.	Sear Pin
41.	Sear Spring
42.	Slide
42A.	Slide-GI

Ordnance Drawing and Part Number

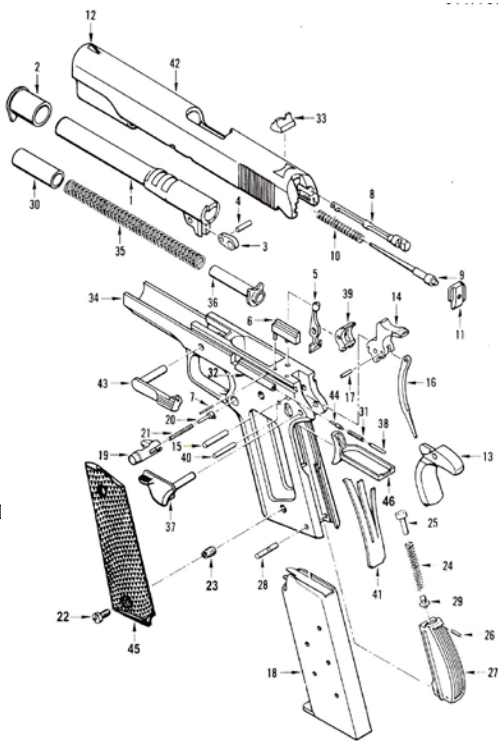
7791193
7791193A
7791193B
7791193C
6008596
6008596A
5013198
5013199
5013199
6008603
6019024
5013203
6008598
6008599
5013204
5013205
5013197
5013197A
6501828
6501828A
5503839
5503839A
5013206
6008600
5013207
5508695
5508695A
6008609
5013218
5013217
6019023
6019022
5013208
5013209
5013210
5503841
5503841A
5503841B
5013212
5013213
5013201
5013201A
5013201B
5013201C
5013201D
5013201E
5013201F
5013194
6008594
5013196
5013196A
TR192BW30
6535359
6535359A
6535359B
6535359C
6535359D
5013200
5013200A
5013200B
6008597
6008597A
6008597B
6008597C
6008597D
5503840
5503840A
5503840B
5013195
7268068
5013211
6008602
7790314
7790314A

Drawing Part or Assy.

Ref. #	Name
42B.	Slide-Thunderbolt
42C.	Slide-Titan Stainless
42D.	Slide-Titan Chrome
43.	Slide Stop
43A.	Slide Stop-Thunderbolt
44.	Slide Stop Plunger
45.	Grip Panel Left/Right
45A.	Grip Panel-GI
45B.	Grip Panel-Thunderbolt
45C.	Grip Panel-Titan
46.	Trigger Assembly, Standard
46A.	Trigger Assembly-Thunderbolt
46B.	Trigger Assembly-Titan

Ordnance Drawing and Part Number

7790314B
7790314C
7790314D
6008595
6008595A
5013193
5564063/5564062
5564063A/5564062A
5564063B/5564062B
556063C/5564062C
6147780
6147780A
6147780B



Schematic is 1911 Military Model:
Parts list is for Military, GI, Titan,
and Thunderbolt Models