



Handling and Safety Instruction
Bedienungsanleitung - und Sicherheitsvorschriften

USA / GB

D

Personal Datas:

1. Owner

First Name: _____
Name: _____
Street _____
P.O. Box: _____ Town: _____
Birthday: _____
Place of birth: _____
Passportnumber.: _____
Date of gun owner ship: _____

Personal Datas:

2. Owner

First Name: _____
Name: _____
Street _____
P.O. Box: _____ Town: _____
Birthday: _____
Place of birth: _____
Passportnumber.: _____
Date of gun owner ship: _____

Informationen of buying the GSG-1911

Date of purchase: _____
Buying by: _____
Name: _____
Adress: _____
P.O. Box /Town: _____
Phone: _____
E-Mail: _____

Serialnumber of the Weapon: _____
Typenumber of the Weapon: _____
Kind of Weapon: _____

Contents

Description:	Section	Page
Product description	D-01	06
Safety regulations	D-01.1	07
Technical Data	D-01.2	08
Main parts / assembly groups of GSG-1911	D-01.3	09
Safety mechanisms / Unlock the Pistol	D-02/ D.02.1	10
Disconnecter	D-02.2	11
Firing pin safety	D-02.3	11
Transporting the gun	D-03	12
Handling the pistol	D-04	12
General	D-04.1	12
Ammunition	D-04.2	12
Loading the magazine	D-04.3	13
Loading the pistol (ready for firing)	D-04.4	14
Firing	D-04.5	15
Firing with a silencer	D-04.6	15
Reloading during firing	D-04.7	16
Unloading the pistol	D-04.8	17-18
Setting the Sight	D-05	19
Setting the rear sight	D-05.1	19
Height adjustment of the front sight	D-05.2	19
Maintenance of the pistol	D-06	20
Stripping the pistol	D-06.1	20-23
Cleaning the pistol	D-06.2	24
Pistol assembly	D-06.3	25-27
Verification of functions	D-06.4	28
Grip Safety	D-06.5	29
Magazine and outside condition of the pistol	D-06.6	29
Maintenance	D-07	30
Shipping the pistol to manufacturer	D-07.1	31
Accessories	D-08	32
Disposal	D-09	32
Spare-Part-List	D-10	32-34
Exploded view GSG-1911	D-11	35



GSG-1911

D-01: Product Description / main features

Dear valued customer,

The GSG-1911 pistol has been constructed according to updated knowledge of modern gun manufacturing for caliber .22 long rifle HV ammunition.

Because of the high bandwidth of caliber .22 ammunition we decided to adjust the GSG-1911 to the high quality standard-ammunition as well as the HV-ammunition. It works with spring-blowback-system with semi-automatic reloading.

The firing pin safety, the hammer safety lock and the grip safety are manual safeties to ensure secure carrying of the gun and to allow a quick shooting.

The compact construction of the pistol avoids contamination due to outside influences.

The Model GSG-1911 is exclusively available with Single Action and with the manual safeties.

We wish you much pleasure with our product.

info@gsg-1911.de

www.gsg-1911.de



GSG-1911

D-01.1: General instructions / Safety regulations

- Never use the gun under the influence of drugs or alcohol, while ill or suffering other such difficulties. These conditions can impair your powers of judgment and reflexes.
- Always think of the gun as being loaded and with the safety off until you have established the opposite through the unloading procedure.
- Always keep the muzzle of the gun in a safe direction when handling. A safe direction is towards an area where there are no people, other life forms or property that is not a recognized target.
- Never point the gun at doors, panes of glass, walls, concrete, stone or flat surfaces (water included). A bullet can penetrate such surfaces or be ricocheted in an unsafe direction.
- Never aim at yourself or other life forms.
- Never rely on safety mechanisms alone. Safety mechanisms are not a substitute for careful, correct and secure handling of the gun.
- Always treat your gun as if the safety mechanisms were not functioning.
The best safety precaution is a correct, well-trained and safe handling of the gun.
- Never shoot with a gun which has been penetrated by water, sand, dirt or other foreign bodies.
- Never let a loaded gun out of your hand.
- Always unload the gun immediately after firing, before putting the gun away, putting into a holster or handing to another authorized person.
- Never give the gun to a person who has not thoroughly familiarized himself or herself with the safety instructions and handling of the gun, by reading the corresponding instructions.
- Never leave the gun lying unattended and protect the gun from unauthorized access.
- Never store the gun loaded, but rather remove the magazine and ensure that no cartridge is left in the chamber of the barrel.
- Always keep the gun and the ammunition separate from one another, and ensure that neither is obtained by unauthorized persons or children.
- The shooter and other people in the area must wear ear protection and protective eye glasses.

D-01.2: Technical Data

GSG-1911

<u>Caliber</u>	.22 Long Rifle HV
<u>Overall length</u>	218 mm
<u>Overall height</u>	140 mm
<u>Overall width</u>	36,5 mm
<u>Barrel length</u>	127 mm
<u>Rifling length</u>	406 mm
<u>Numbers of grooves</u>	6
<u>Sight length</u>	136 mm
<u>Weight incl. empty magazine</u>	975 g
<u>Trigger pullweight</u>	SA 1,9 - 2,5 kg
	SA 18,6 - 24,5 N
<u>Magazine capacity</u>	10 rounds

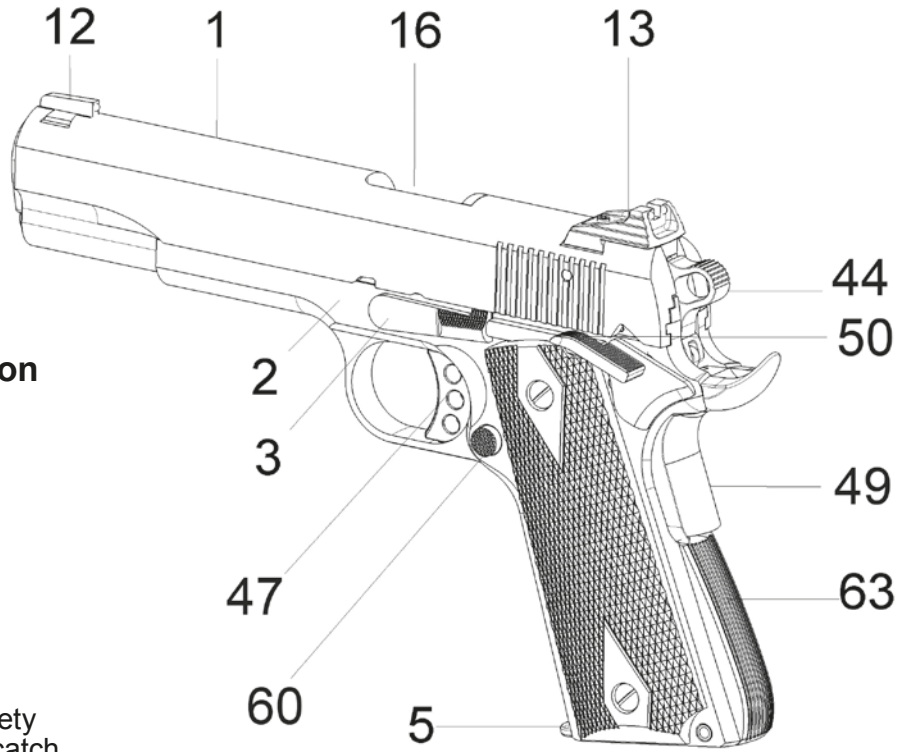
Included are:

- 1 Pistol
- 1 Magazine
- 1 Handbook with instruction manual and safety regulations
- 1 Case
- 2 Substitute front sights
- 1 Allen Key
- 1 Open End Wrench

GSG-1911



D-01.3: Main parts / Assembly groups of GSG-1911



Pos.

description

- 1 Slide
- 2 Receiver
- 3 Slide stop
- 5 Magazine
- 12 Front sight
- 13 Rear sight
- 16 Barrel
- 44 Hammer
- 47 Trigger
- 49 Grip safety
- 50 Manual safety
- 60 Magazine catch
- 63 Magazine safety (inside of mainspring housing)

D-02: Safety mechanism

D-02.1 unlock the pistol



Fig. 1: safety is active



**Fig. 2: safety is deactivated,
Pistol is cocked and ready for firing**



Fig. 3: Grip safety

Push safety downwards as far as it will go (Figure 2)

The gripsafety (Figure 3) is behind the receiver and blocks the trigger.

Firing is only possible if the gripsafety will be pushed by hand.

Now the hammer can release.

(The safety can only be activated, when the hammer is in a cocked position.)

D-02.2: Disconnecter

The disconnecter is a passive safety which locks and unlocks automatically while the slide moves. The disconnecter releases the sear when slide is moving and avoids firing before pistol is ready for firing.

D-02.3: firing pin safety

The firing pin safety is a passive safety which keeps the firing pin in its position until the trigger is pulled. Hereby the firing pin will be prevented from moving. Furthermore, this safety avoids an unintended shot, for example if the pistol is dropped.

D-03: Transporting the gun

- Always transport the pistol unloaded, decocked and locked.
- Never carry the pistol if it is cocked and a round is in the chamber.
- Always ensure that the direction of the muzzle will be under your control in case of fall or slip.
- Always transport the pistol and the ammunition separate from one another.
- Make sure to observe the regional and national laws regarding the transport of guns.

D-04: Handling the pistol

D-04.1: General

The gun is generally delivered preserved with a thin, protective grease and oil coating.

D-04.2: Ammunition

- For your gun, use only commercial grade ammunition in its original packaging that corresponds with the caliber of the gun. The correct caliber is imprinted on the gun.
- Never use reloaded, “refurbished”, hand-loaded or non standard ammunition of a different caliber.
- Never use dirty, wet, corroded, bent, damaged or oiled ammunition.
- Never leave the ammunition lying unattended.

Information:

The .22 ammunition spectrum ranges from very light loads for single loader guns to sport load, utility load and on through to high speed rounds. Unfortunately, however, it is not possible to adjust a semi-automatic gun to all loads. We have therefore decided to make an adjustment to the loads that have priority for use with the GSG-1911. These are the two big groups of Standard and High Speed rounds.

D-04.3: Loading the magazine

Procedure

Put the cartridge on the follower, near the magazine slice. (figure 1)

Pull down the follower pin of the magazine.

Push the bullet to the back stop of the magazine.

Load only the quantity of rounds into the magazine, you want to fire. (max. 10 rounds)

Quantity of rounds in the magazine can be checked by the magazine-slot.

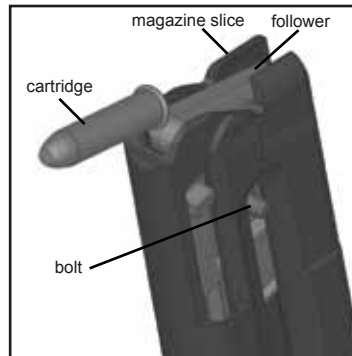


Fig. 1: Loading the magazine

D-04.4: Loading the gun (ready for firing)

Notice

Never load or reload the gun in a vehicle, a room or another small area (except a shooting range). Before loading always wipe off excess grease and oil and check to see if there are any foreign objects/material in the barrel.

Always keep the muzzle of the gun pointed in a safe direction.

Do not put your finger on the trigger. Keep your finger outside the trigger guard.

Load the gun by inserting the magazine directly before firing.

Never pull the hammer back by hand but with the slide to cock it and to avoid an accidentally discharge.

Never rely on safety mechanisms alone. Safety mechanisms are not a substitute for careful, correct and secure handling of the gun.

Never let a loaded gun out of your hand.

Procedure

Point the gun in a safe direction.

Insert full magazine and ensure that it is fully engaged.

Pull the slide back until stop and allow slide to spring forward.

The pistol is cocked and ready for firing with Single-Action-trigger.

D-04.5: Firing

- Ensure that the target and surroundings allow shots to be fired without danger.
- Be certain when firing that your fingers, hands or other parts of the body are not in front of, above or beside the barrel muzzle or the ejector port.
- Never allow a person to stand next to you where they could be hit by ejected cartridge cases.
- When shooting, always wear ear protection and protective eye glasses.
- Inform other people close to you about the need to wear ear protection and protective eye glasses.
- Interrupt shooting immediately and unload the gun if you suspect that a round is not inserted correctly, a case is jammed, a round may have blocked the barrel or a shot sounds or gives sensation that it may be “weak” or unusual.
- Never try to dislodge a blockage by firing another round.

D-04.6: Firing with a silencer

- Unscrew the threaded cap with the open end wrench
- Screw on an adapter (accessory part) which connects the silencer with the pistol



D-04.7: Reloading during firing

When the magazine is empty, the slide will be kept in an open position.

Information

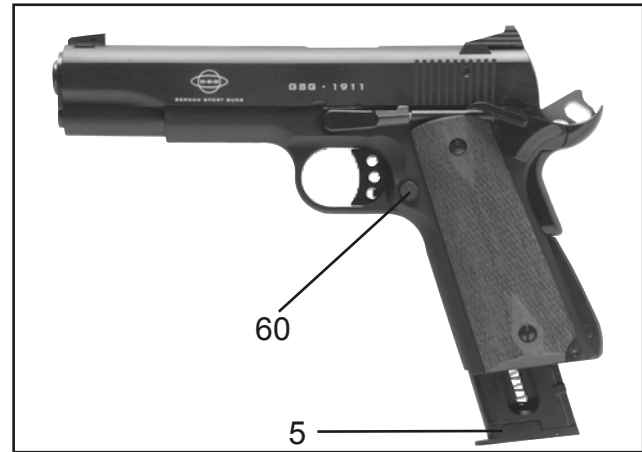
- Remove your finger from the trigger.
- Remove the empty magazine.
- Put one hand under the magazine.
- Push the magazine catch.
- Pull out the magazine by hand.
- Insert full magazine and ensure that it is fully engaged.
- Pull the slide stop downwards or pull back the slide until it stops.
Then release allowing the slide to spring forward.
- The pistol is loaded again and ready to fire.

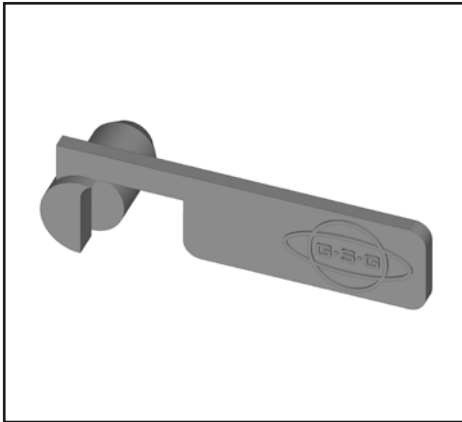
D-04.8: Unloading the pistol

With magazine not empty and with a cartridge in the chamber

Procedure

- Push the manual safety from the bottom up
- Keep the muzzle of the pistol in a safe direction
- Remove your finger from the trigger.
- Remove the empty magazine **(5)** by means of the magazine catch **(60)**.
- Unlock the safety with the safety lever.
- Pull back the slide until it stops. The cartridge will be ejected.
- Push the slide stop from the bottom up and push the safety lever upwards in order to keep the slide in the rear position.
- Check the pistol visually and manually.





Level indicator



visual check of the chamber

- Pull down the slide stop. The slide flies forward.
- Decock the hammer as follows: Hold the hammer back, then pull the trigger and bring the hammer to its decocked position.
- Empty the magazine
- You may now clean the pistol.

D-05: Setting the Sight

D-05.1: Setting the Rear Sight

Sight Adjustment

Setting target mechanism.

Sideways adjustment of target mechanism

Sight adjustment.

Attention: Unscrewing the adjustment screw counter clockwise allows the rear sight to move to the right and to the left for windage adjustment.

Left-shot: adjust the rear sight to the right.

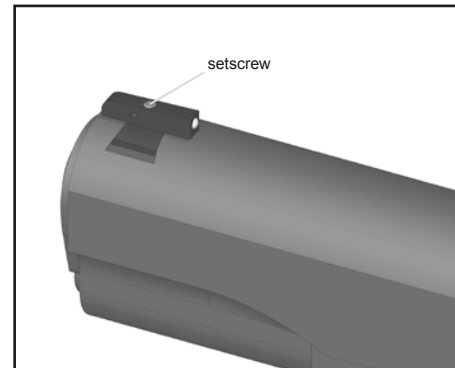
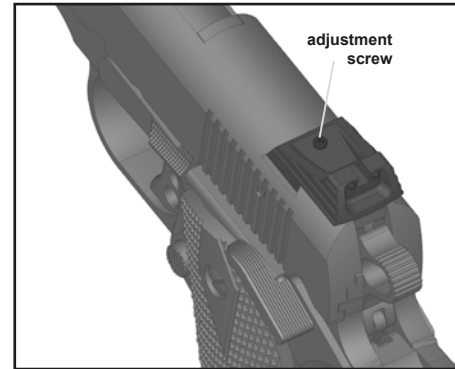
Right-shot: adjust the rear sight to the left.

D-05.2: Height adjustment of the Front Sight

Height adjustment of target mechanism

Changing the front sight to a deeper (higher) rear sight meets a point of impact from approximately 20 cm to a distance of 25 m.

Before you change the front sight, unscrew the setscrew.



D-06: Maintenance of the pistol

Information

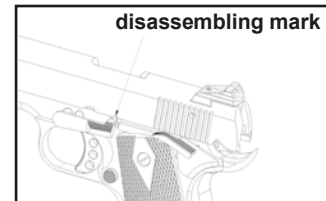
- Before disassembling, remove the magazine.
- Check before cleaning if the pistol is decocked and unloaded.
- Do not put your finger into the slide.

Procedure

- Unload and decock the pistol (see 4.7 & 4.8).
- Make sure that the muzzle shows upwards and the backside of the receiver rests on the table.

Attention!

Recoil spring and recoil spring plug are under pressure. The slide spring is cocked. When removing the barrel bushing uncontrolled, the recoil spring and the recoil spring plug could spring from the pistol.



D-06.1: Disassembling the pistol

- Pull the slide backwards until the slide stop and the disassembling mark are on the same level. Pull out the slide stop and the barrel fixing pin as follows.
- Press the slide stop on the right side and remove the slide stop from the left side. Push barrel fixing pin from right to left to remove (see fig. 2 page 21).
- Unscrew the screw with an allen key (fig. 3 page 21).
- Hereby the complete slide can be removed by sliding forward (fig. 4 page 21).



Fig. 1: Slide stop removed



Fig. 2: Barrel fixing pin removed



Fig. 3: Before ending the Procedure D-06, please unscrew the screw on the right side of the pistol with the allen Key.



Fig. 4: Slide completely removed

- Pull back the slide about 2 cm
- Depress the recoil spring plug (Pos. 1) and give the barrel bushing a quarter counterclockwise rotation (Pos. 2)
- When barrel bushing is turned, the recoil spring and the recoil spring plug are released.
- Make sure to hold the recoil spring and release it slowly, controlled by your hand.

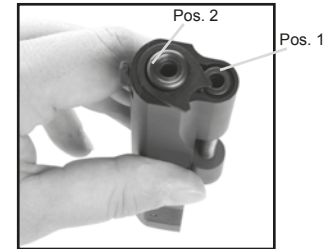
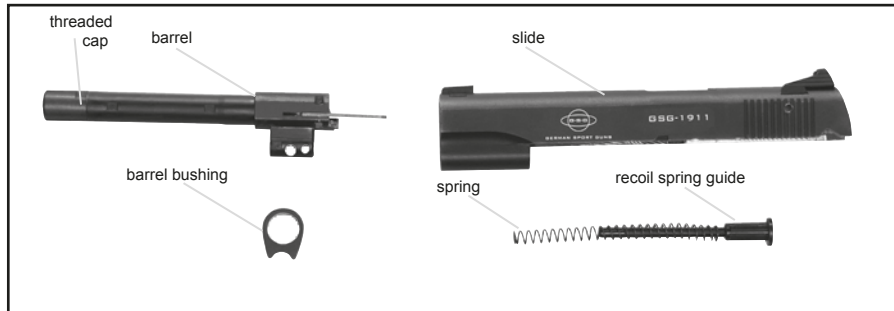


Fig. 1: Barrel bushing



Fig. 2: Removal of recoil spring plug and recoil spring

- Remove recoil spring plug from recoil spring.
- Lift the recoil spring guide and pull backwards out of the slide the barrel bushing and the recoil spring.
- Give a half counterclockwise rotation to the barrel bushing and remove it from the slide.



Removal of barrel bushing from the slide
Removal of barrel out of the slide

- Take off the barrel bushing from the barrel
- Push the barrel forward out of the slide

Information:

- This disassembling is sufficient for an efficient cleaning of the pistol after firing.

In case of improper handling of the pistol, the warranty will expire.

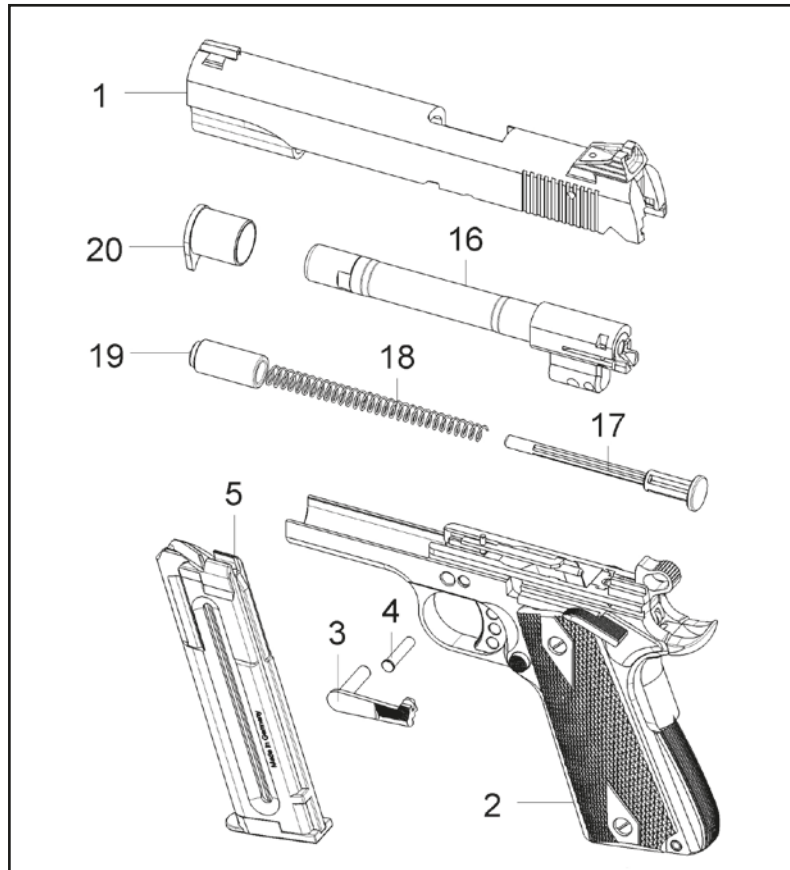
- A further disassembling of the pistol may only be made by a qualified person.

D-06.2: Cleaning the pistol

- Never clean the barrel from the muzzle side (in front)
- Do not use a steel brush. This will damage the surface of the barrel. Use only a suitable cleaning rod and brushes of the right caliber.
- Thinner could damage the surface of the pistol.
- Before using any cleaner or thinner, please note the advice of the manufacturer.

Procedure

- Lubricate the cleaning brush with gun oil and insert it into the barrel (16) via the chamber. Use the brush to carefully remove all powders, residues and dirt in the barrel and chamber.
- Wipe powder, powder residues and oil from the barrel bore and chamber with cleaning patches.
- Clean the outside surface with the cleaning cloth and gun oil.
- Remove dirt from metal rail in the receiver **(2)**, inside and outside the slide **(1)**, slide stop **(3)**, barrel bushing **(20)**, recoil spring plug **(19)**, recoil spring guide **(17)** and recoil spring **(18)** with a brush. After that, wipe down with a cloth dampened with gun oil or gun grease.
- Lubricate the chamber and the barrelhole with gunoil and remove surplus gun grease.



Assembly while cleaning process

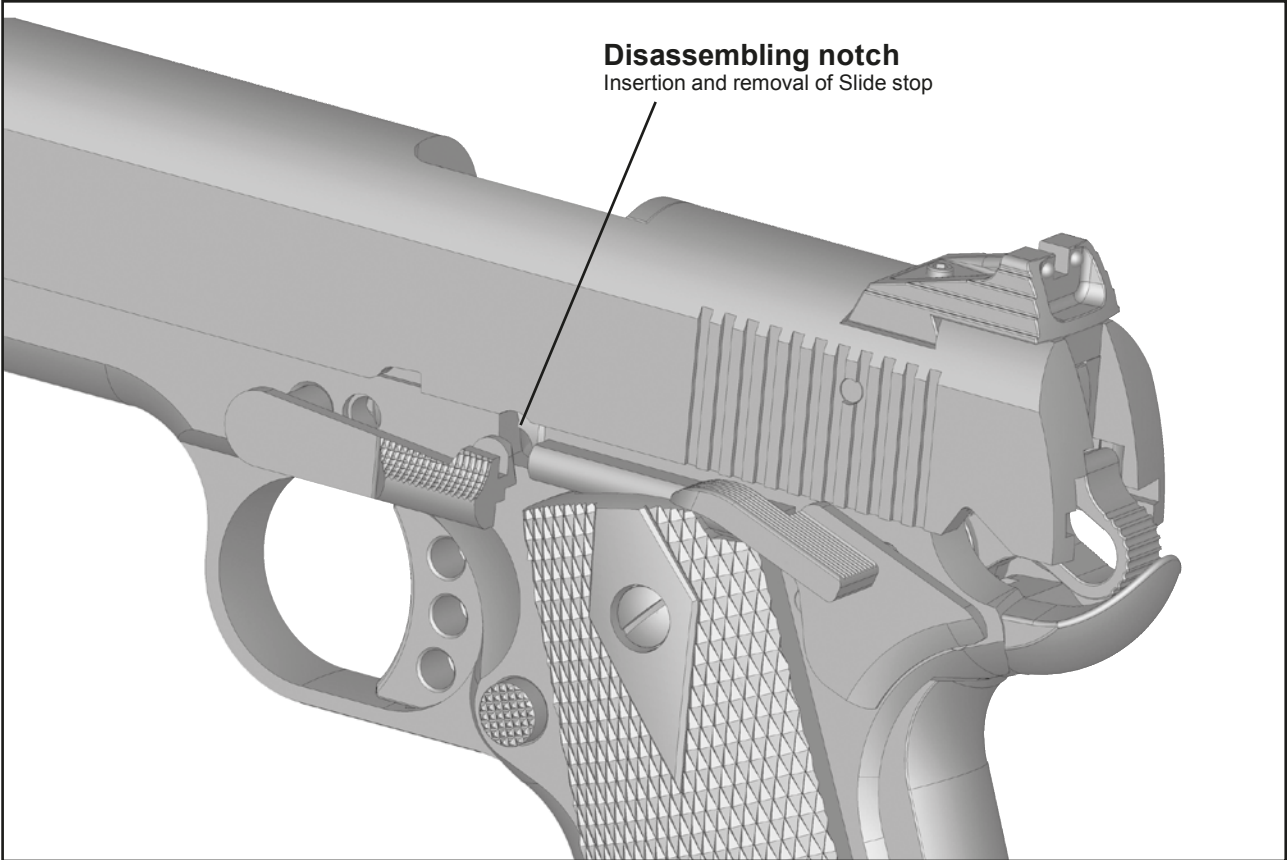
D-06.3: Assembling the pistol

Procedure

- Check the inside of the pistol and remove all foreign objects.
- Turnover the slide and insert the barrel.
- Put the recoil spring with the thin side on the recoil spring guide and place both into the slide.
- Put the recoil spring plug from the front onto the recoil spring and press it into the slide.
- Slide the barrel bushing on the barrel and turn clockwise.
- Put the barrel bushing from the front on the recoil spring guide and ensure by twisting the barrel bushing.
- Push the slide on the gun. The holes for the fixing pin and the stop must match.
- First insert the barrel fixing pin.
Insert the slide stop, but do not puncture fully re-fix the screw on the right side of the pistol.
- Cock the hammer and return the slide up to the marking on the lower edge of the slide.
Press the slide stop up to the stop.

Disassembling notch

Insertion and removal of Slide stop



D-06.4: Verification of functions

Information

- Verify the operation of parts with the assembled pistol, with no ammunition.
- Verify after finishing repair work.
- Verify after every cleaning and assembling of the pistol.

Procedure

Check the power of the recoil spring and the cycle of the slide (no clamp).

- Pull back the slide until it stops and allow it to spring.
- Check if the slide springs forward and closes tight against the breach.

Check trigger-way and trigger-break.

- Pull the slide backwards until it stops with cocked hammer and pulled trigger. Then release the slide.
- Check if the hammer remains in cocked position (while continuing to pull trigger backwards).

Simple check of trigger function.

- Release the trigger
- Check if the disconnector catches or if the hammer releases when pulling the trigger again.

Check the slide stop

- Insert an empty magazine and pull backwards the slide until it stops, then release.
- Check if the slide will be held in backward position.
- Remove the magazine.
- Apply the slide stop.
- Check if the slide stop is released and if the slide flies forward strongly. Decock the hammer.

D-06.5: Grip safety

- Cock the hammer, pull the trigger and use the grip safety.
- The hammer should stay cocked.
- Push the safety lever downwards, pull the trigger and use the grip safety.
- The hammer should release.
- Hold the muzzle downwards and pull the trigger. without using the grip safety. The hammer should remain cocked.
- Remove the magazine.
- The grip safety is active, the pistol is not ready for firing.
- Insert the magazine. The grip safety is released. The pistol is ready for firing.

Check the safety lock

- Pull the hammer backwards slowly, without touching the trigger.
- You should hear a “click” when the sear catches into the safety catch.
- Pull the trigger
- The hammer should not release.



Fig. 1: Grip safety is cocked

D-06.6: The Magazine and the outside condition of the pistol

- Check if there is any dirt or damage on the magazine body (follower and bottom).
- Check the mobility and springing of the follower.
- Check the easy insert of the magazine into the receiver.
- Check the correct catch and unlatch of the magazine.
- Outside condition of the pistol
- Check if there is any dirt or damage with the grips and the disassembling-lever.
- Check if front sight, rear sight and grips are fastened tight.

D-07: Maintenance

Part / Fault	Possible cause of fault / defect	Possible fault / defect removal
Ammunition feed: No round chambered.	Magazine not properly inserted, deformed or dirty.	Insert Magazine properly or Replace it
Breech: Breech does not close properly.	Gun or rounds dirty or too heavily greased Weak recoil spring When pistol still defective	Strip, clean and lubricate pistol. Clean or replace ammunition Replace recoil spring Repair by manufacturer / gun maker.
Case ejection: Spent case stuck in chamber or jams in ejection port	Recoil insufficient because of fouling. Under loaded ammunition. When pistol still defective	Strip, clean and lubricate pistol. Replace ammunition. Repair by manufacturer / gun maker.
Misfire: Hammer strikes, but no discharge	Firing pin sticks in its guide. Slide not fully in Battery Defective ammunition When pistol still defective	Strip, clean and lubricate pistol. Have gun checked by armourer. Manually cycle slide to chamber New round. Repair by manufacturer / gun maker.

D-07.1: Shipping the pistol to manufacturer

Warning

- Familiarize yourself fully with local legislation governing the shipping and transportation of firearms.

Procedure

1. Check the gun to ensure that it is unloaded and decocked.
2. Pack the gun well (if possible in its original packaging) to prevent damage in transit.
3. Use an additional covering box for the original packaging.
4. Do not include, telescopic sights, scope mounts or other accessories in the shipment.
5. Enclose a letter stating the following:
 - Your full name
 - Your full address (mention street, not P.O. Box)
 - Your daytime telephone number
 - Detailed description of the problem encountered or the service work to be performed.
6. Send the gun properly insured and carriage-paid (packages without correct postage will not be accepted).
7. Send the pistol or contact:
 - The sales outlet from which you purchased the gun.
 - The GSG agent (importer) for your country.
 - If there exists no local appointed German Sport Guns GmbH dealer or no German Sport Guns GmbH agent for your country send directly to German Sport Guns. (You find the address on the backside of the instruction manual.)

D-08: Accessories

Wooden grips (walnut)

Speedsec Holster

Speemag Holster

Speedrigs

Optics

Silencer Adapter

Mounts and much more, you find under **www.gsg-1911.de**

D-09: Disposal

- Strictly observe any current national legislation governing the disposal of handguns.
- Provided this is not contrary to current national legislation, we recommend shipping the gun to one of the addresses listed under Sect. **D-07.1** for disposal.
- When shipping the gun, strictly observe the instructions listed under Sect. **D-07.1**.

D-10: Spare part list

Essential information when ordering spare parts

- Pistol Model (caliber, designation)
- Pistol number
- Part number
- Part description

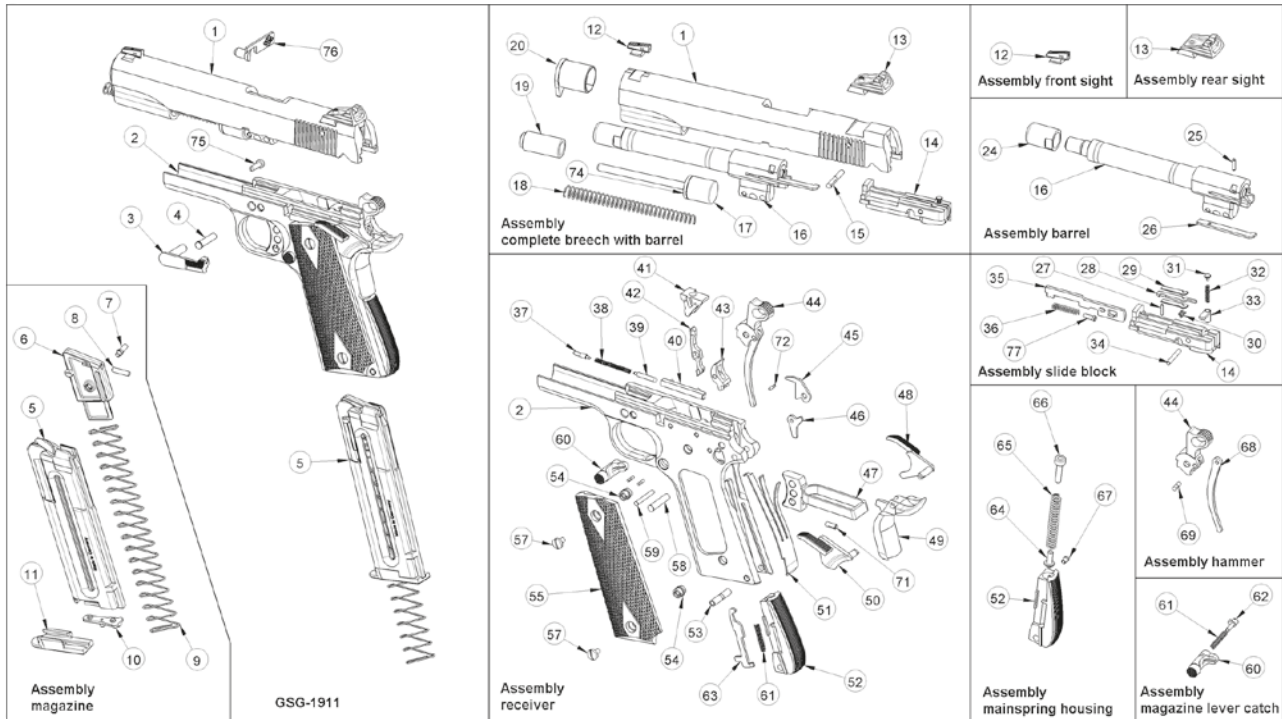
Sparepartlist Part I

Pos.-No.	Standard No.	German Description	English Description
1	411.40.01.0	Verschluss	Slide
2	411.20.01.0	Griffstück	Receiver
3	411.20.38.0	Verschlussfanghebel	Slide Stop
4	411.20.39.1	Bolzen für Laufbefestigung	Barrel Fixing Pin
5	411.60.01.0	Magazin	Magazine
6	411.60.03.1	Zubringer	Magazine Follower
7	411.60.04.1	Bolzen für Zubringer	Magazine Follower Pin
8	411.60.08.1	Stift für Zubringer	Magazine Follower Tab
9	400.60.06.1	Magazinfeder	Magazine Spring
10	411.60.06.1	Magazinfederhalter	Magazine Spring Holder
11	411.60.02.1	Magazinschuh	Magazine Base
12	411.50.0002	Korn	Front Sight
13	411.50.0001	Kimme	Rear Sight
14	411.40.02.0	Verschlussblock	Beech Bolt
15	411.40.11.0	Stift 3x22 DIN 6325	Beech Bolt Pin
16	411.30.01.0	Laufblock	Barrel
17	411.40.06.1	Federführungsstange	Recoil Spring Guide
18	400.40.10.1	Druckfeder 0,7x5,7x90	Recoil Spring
19	411.40.04.0	Verschlussfederhülse	Recoil Spring Plug
20	411.40.03.0	Laufführung	Barrel Bushing
24	411.30.09.1	Mündungskappe	Muzzle cap
25	411.30.04.3	Stift 2x8 DIN 1472	Ejector Pin
26	411.30.03.1	Auswerferblech	Ejector
27	400.40.19.3	Stift 1,5x8 DIN 1472	Extractor Pin
28	400.40.06.1	Auszieher	Extractor
29	400.40.23.1	Distanzblech	Extractor Spacer
30	400.40.21.1	Druckfeder 0,6x2,9x4,9	Extractor Spring
31	411.40.12.1	Federaufnahme	Firing Pin Safety Spring Plunger
32	411.40.13.1	Druckfeder 0,35x2,3x12,5	Firing Pin Safety Spring
33	411.40.07.1	Schlagbolzensicherung	Firing Pin Safety
34	407.20.40.3	Stift 2,5x16 DIN 6325	Firing Pin Retainer
35	411.40.05.0	Schlagbolzen	Firing Pin
36	411.40.10.1	Druckfeder 0,63x1,6x20	Firing Pin Spring
37	411.20.26.1	Bolzen für Verschlussfanghebel	Slide Stop Plunger
38	411.20.09.1	Druckfeder 0,35x2,3x27	Plunger Spring

Sparepartlist Part II

Pos.-No.	Standard No.	German Description	English Description
39	411.20.27.1	Bolzen für Sicherungshebel	Safety Lock Plunger
40	411.20.13.0	Sicherungsfederhülse	Plunger Tube
41	411.20.05.0	Einsatz für Griffstück	Inset for Receiver
42	411.20.11.1	Unterbrecher	Disconnecter
43	411.20.12.1	Fangklinke	Sear
44	411.20.0003	Schlaghebel	Hammer
45	411.20.17.1	Auslösehebel	Firing Pin Plunger Lever
46	411.20.16.1	Übersetzung für Schlagbolzensicherung	Trigger Bar Lever
47	411.20.10.0	Abzug	Trigger
48	411.20.22.0	Sicherungshebel rechts	Safety Lock Right
49	411.20.04.0	Handballen	Grip Safety
50	411.20.20.1	Sicherungshebel links	Safety Lock Left
51	411.20.08.1	Abzugfeder	Sear Spring
52	411.20.18.0	Schlagfedergehäuse	Mainspring Housing
53	411.20.28.1	Bolzen für Schlagfedergehäuse	Mainspring Housing Pin
54	411.20.23.1	Gewindeinsatz für Griffstück	Grip Screw Bushing
55	411.20.44.1	Griffschale links	Left Grip
56	411.20.43.1	Griffschale rechts	Right Grip
57	411.20.24.1	Schraube für Griffhälften	Grip Screw
58	411.20.29.1	Bolzen für Schlaghebel	Hammer Pin
59	411.20.30.1	Bolzen für Fangklinke	Sear Pin
60	411.20.0004	Magazinhalter	Magazine Catch
63	411.20.40.1	Magazinsicherung	Magazine Safety
64	411.20.19.1	Federlagereinsatz	Mainspring Retainer Pin
65	402.20.17.1	Feder für Schlagstange	Mainspring
66	411.20.35.1	Schlagfederkappe	Mainspring Cap
67	411.20.49.1	Bolzen für Schlagfeder	Mainspring Cap Pin
70	411.50.07.3	Gewindestift M2x5	Grub screw M2x5
71	411.20.53.0	Gewindestift M3x8	Grub screw M3x8
72	411.20.50.3	Stift 1,5x6	Bolt 1,5x6
73	411.30.17.3	Scheibe	Disk
74	411.30.15.3	Pufferscheibe	Cachedisk
75	411.30.16.3	Schraube	Screw
76	402.90.01.1	Pufferpatrone	Cachecartridge
77	402.70.26.1	Führungsbolzen	Guiding bolt

D-11: Exploded View GSG-1911





Hersteller / Manufacturer

German Sport Guns GmbH

Oesterweg 21

59469 Ense-Höingen

Germany

www.gsg-1911.de

www.germansportguns.de

info@germansportguns.de

phone: +49 (0) 2938-97837-0

fax: +49 (0) 2938-97837-130