



ROSSI®

OWNER'S MANUAL

Rossi® R92 Lever Action



GENERAL SAFETY,
OPERATING INSTRUCTIONS
AND LIMITED WARRANTY

READ CAREFULLY BEFORE USING YOUR FIREARM

Important: Keep this manual with your firearm.

The information contained in this manual is useful, both for beginners and experienced shooters. In addition to important information about the function, cleaning and care of the firearm, this manual contains instructions that may be very helpful in shooting safely. **The most important rule of safe firearm handling is always keep the muzzle pointed in a safe direction!**

TO OUR CUSTOMERS

Congratulations on the purchase of your new Rossi firearm. Like any precision instrument, if properly cared for, your Rossi should give you a lifetime of shooting enjoyment. Please take the time to read and understand the warnings and instructions contained in this owner's manual. This manual should be kept with your firearm. Upon change of ownership, transfer this manual with the firearm.

WARNING

Never allow a minor to shoot without adult supervision. Never leave a firearm in the possession of a minor. When shooting with a child, make sure to remain close and safely supervise all activities. Always make sure to store firearms and ammunition separately.

NOTICE

It is recommended that you record the model number, serial number and date of purchase of your Rossi firearm for future reference. Be sure to retain your store receipt and any other documentation that came with your Rossi.

Model Number	
Serial Number	
Date of Purchase	

TABLE OF CONTENTS

6	Firearm Safety
8	Firearm Safety Systems
9	Get to Know Your Firearm
10	Firearm Storage and Gun Locks
10	Ammunition
13	Manual Safety
14	Decocking
16	Adjusting Sights
16	To Fire
17	Unloading Your Firearm
18	Fail to Fire
18	Care and Maintenance Repair Instructions
20	Exploded View Parts List
22	Repair Policy

WARNING

The safety warnings in this booklet are important. By understanding the dangers inherent in the use of any firearm, and by taking the precautions described herein, you can safely enjoy your Rossi® firearm. Failure to follow any of these warnings may result in serious injury to you or others, as well as severe damage to the firearm or other property.

ROSSI

ALWAYS KEEP THE MUZZLE POINTED IN A SAFE DIRECTION.

Intentionally Left Blank

NOTES

⚠ WARNING

The safety warnings in this booklet are important. By understanding the dangers inherent in the use of any firearm, and by taking the precautions described herein, you can safely enjoy your Rossi® firearm. Failure to follow any of these warnings may result in serious injury to you or others, as well as severe damage to the firearm or other property.

SIGNAL WORDS AS DEFINED BY ANSI Z535.6 AND Z535.4 STANDARDS.

⚠ DANGER

DANGER indicates a hazardous situation which, if not avoided, will result in death or serious injury.

⚠ WARNING

WARNING indicates a hazardous situation which, if not avoided, could result in death or serious injury.

⚠ CAUTION

CAUTION indicates a hazardous situation which, if not avoided, could result in minor or moderate injury.

NOTICE

NOTICE is used to address practices not related to physical injury.

ROSSI

ALWAYS KEEP THE MUZZLE POINTED IN A SAFE DIRECTION.

FIREARM SAFETY

WARNING

When a firearm discharges, the bullet or shot can strike a person, resulting in death or serious bodily injury.

The three basic keys to safe handling of firearms:

1. **KEEP YOUR FINGER OFF THE TRIGGER UNTIL YOU ARE READY TO FIRE.** If you maintain good trigger discipline, it is extremely unlikely the firearm will fire.
2. **KEEP THE MUZZLE POINTED IN A SAFE DIRECTION.** Even if the firearm discharges, if the muzzle is pointed in a safe direction, no one will be injured.
3. **NEVER TRUST ANY SAFETY MECHANISM.** If you adopt the attitude that you will not trust any safety mechanism, you will be vigilant about keeping your finger off the trigger and keeping the muzzle pointed in a safe direction.

WARNING

KNOW YOUR TARGET. Never fire at targets at close range. Ricochets can and do cause death or serious bodily injury. What constitutes “close range” depends on many factors including target material, bullet caliber and angle of impact.

KNOW WHAT IS BEHIND YOUR TARGET. Unless you are shooting into a bullet trap designed to capture the type of ammunition you are firing, projectiles may pass through the target and strike anyone or anything beyond. Bullets can travel miles.

ALWAYS WEAR HEARING PROTECTION. Firearms are loud. The sound they generate is greater indoors. Repeated exposure to loud noises can cause deafness. Hearing protection is rated by decibel reduction. Look for “dB” reduction of 30 or more when purchasing ear protection. Modern ear protection can allow normal hearing until the sound from the discharge reaches the ear. Layering hearing protection, for example wearing 30db rated foam plugs along with 20db rated ear muffs, significant protection can be achieved.

ALWAYS KEEP THE MUZZLE POINTED IN A SAFE DIRECTION.

ALWAYS WEAR EYE PROTECTION. In normal operation, firearms emit hot high-velocity gases, particles and metal. These materials flying into your eye can cause blindness. Protect your vision with proper eye protection. Any eye protection may be better than none, but look for ANSI Z87.1-2003 certified eyewear for the best protection.

NEVER HANDLE FIREARMS WHILE UNDER THE INFLUENCE OF DRUGS OR ALCOHOL. Firearms are dangerous. Handling firearms while impaired by drugs or alcohol is foolhardy and may result in serious injury or death. This warning includes prescription drugs that contain a warning about using machinery or driving while taking the medication.

MODIFIED FIREARMS ARE DANGEROUS, AND USE CAN RESULT IN SERIOUS INJURY OR DEATH. “Trigger jobs”, polishing original components or installing aftermarket parts can cause a firearm to function in ways different than intended. Some such work may also be illegal.

DAMAGED FIREARMS ARE DANGEROUS, AND USE CAN RESULT IN SERIOUS INJURY OR DEATH. Repairs should always be made by a qualified gunsmith or by a factory-authorized repair site. Work done by those unfamiliar with the design can cause a firearm to function in ways different than intended.

NEVER ATTEMPT TO DISASSEMBLE OR CLEAN A LOADED FIREARM. DOING SO CAN RESULT IN SERIOUS BODILY INJURY OR DEATH. How often have we heard “But it went off while I was cleaning it!” or, “I did not know it was loaded!” or, “It was jammed, and I tried to take it apart!”?

IF A FIREARM GOES OFF, THERE WAS A ROUND OF AMMUNITION IN THE CHAMBER. Period. “Clear” (or empty) the firearm of all ammunition before disassembling or cleaning.

As owner of your new Rossi firearm, you are responsible for (1) keeping your finger off the trigger, (2) pointing the muzzle in a safe direction, (3) remove ammunition source from firearm and (4) look in and feeling in the chamber to confirm the firearm is empty. An empty firearm cannot fire.

ROSSI

ALWAYS KEEP THE MUZZLE POINTED IN A SAFE DIRECTION.

FIREARM SAFETY SYSTEMS

Firearms safety is supported by a system. With your firearm the system is made up of the following:

1. **You!** Your involvement in safety cannot be overemphasized. No safety component can keep your finger off the trigger and the muzzle pointed in a safe direction. Also, you are the key to never trusting any of the mechanical parts of the safety system.

2. **Manual Safety -**

Always use the manual safety. The manual safety should be all the way in the safe position, not half way or at some other point in its travel. The manual safety should remain in the safe position until ready to fire.



Manual Safety ON

3. **Trigger guard -** This is a physical obstruction that helps prevent unintended pressing of the trigger or trigger safety. Do not modify the trigger guard.



Manual Safety OFF

4. **This Manual -** Rossi intends for you to use this manual to learn about your firearm and to help you use your firearm safely. If you use the manual, you will be a long way toward being a knowledgeable and safe firearms owner.

5. **Online Resources -** RossiUSA.com hosts a library of videos concerning safety and related issues. This library is being added to and revised. Please visit the site and take advantage of what is available there as part of your education regarding using your Rossi firearm in a safe fashion.

GET TO KNOW YOUR FIREARM

FIG 1: LOCK



CABLE LOCK

FIG 2: LEFT-SIDE

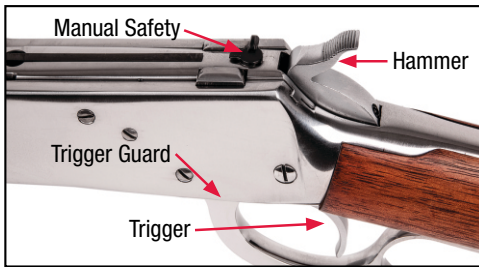


FIG 3: RIGHT-SIDE



FIG 4: LOADING



ROSSI

ALWAYS KEEP THE MUZZLE POINTED IN A SAFE DIRECTION.

FIREARMS STORAGE AND GUN LOCKS

How you secure your firearms is a personal choice based on the unique circumstances in your home, business or vehicle and the laws of the state where your firearm is located. Any choice you make about securing your firearms will present advantages and disadvantages. It is up to you to weigh those advantages and disadvantages and choose which security method is best for you and those around you (see figure 1 page 9).

WARNING - LOCKING

Never lock a firearm with a round of ammunition in the chamber. Unlocking a loaded firearm makes it more difficult to maintain trigger discipline and to keep the muzzle pointed in a safe direction.

WARNING

Failure to secure a firearm may result in injury or death. Properly securing a firearm means storing your firearm unloaded, decocked and securely locked, with all ammunition in a separate location.

AMMUNITION

WARNING

Using the wrong ammunition in your firearm can result in serious bodily injury and damage to your firearm. Make certain the ammunition you load in the chamber is the same caliber as is marked on the barrel.

⚠ WARNING - AMMUNITION AND INDUSTRY STANDARDS

Use only clean, dry factory-loaded ammunition. Old, damaged, wet or oily ammunition may fire at pressures higher than industry standard, causing injury to you and bystanders or damage to your firearm.

Do not use reloaded ammunition in your firearm. Its firing pressures are unknown and may well exceed industry standard, causing injury to you and bystanders or damage to your firearm.

Odd sounds are signs of trouble. If a round “does not sound right” when it goes off, stop firing right away. A bullet may be stuck in the barrel. Firing the firearm in this condition may cause pressures higher than industry standard, causing injury to you and bystanders or damage to your firearm.

If you hear any odd sounds when firing immediately stop firing. If there is any reason to suspect that the barrel is obstructed, immediately unload the firearm and make clear. Field strip in accordance with procedures listed in this manual. Inspect the bore for blockage with a visual inspection. It is not sufficient to merely look in the chamber. The bullet may be lodged in the barrel where it cannot be easily seen. If you do not see light when inspecting the bore, it means something is stuck in the bore. Do not fire the firearm again, and take the firearm to a competent gunsmith or contact Rossi Service department at 800-327-3776.

⚠ WARNING

If the bore is obstructed, DO NOT attempt to shoot it out by using another shot shell or cartridge or by blowing it out with a blank. Such techniques can generate excessive pressure, damage the firearm and cause serious injury.

⚠ WARNING

“+P” ammunition can be dangerous. There is a detailed discussion about “+P” and “+P+” ammunition on page 12 of this manual. Until you have read that information, do not fire any ammunition marked “+P” in your firearm.

ROSSI

ALWAYS KEEP THE MUZZLE POINTED IN A SAFE DIRECTION.

⚠️ WARNING

Never fire ammunition marked “+P+” in your firearm. It does not comply with industry standards as to chamber pressures.

There are only four calibers that can carry a “+P” rating from SAAMI. They are 38 Special +P, 9mm Luger +P, 38 Super Automatic and 45 Automatic +P. There are no other SAAMI approved “+P” loads. Any ammunition in any other caliber marked “+P” is not SAAMI compliant, may be dangerous and should not be used.

NOTICE

Even if your Rossi® firearm is rated for Plus-P (“+P”) ammunition, such ammunition generates pressures significantly in excess of the pressures associated with standard ammunition. Such pressures may affect the useful life of the firearm or exceed the margin of safety built into many firearms. Unless you need +P ammunition, do not use it, particularly for practice.

⚠️ WARNING – LEAD EXPOSURE AND HAZARDOUS CHEMICAL

Discharging firearms in poorly ventilated areas, handling and/or cleaning firearms may result in exposure to lead and other substances known to the state of California to cause birth defects, reproductive harm and other serious physical injury. Have adequate ventilation at all times. Wash hands thoroughly after exposure with soap and cold water.

SHOOTING OR CLEANING GUNS MAY EXPOSE YOU TO LEAD

The use of reloaded, “remanufactured”, hand-loaded, or other nonstandard ammunition voids all warranties. Improperly loaded ammunition voids all warranties. Improperly loaded ammunition can be extremely dangerous. Severe damage to the firearm and serious injury to the shooter or to others may result. Always use ammunition that complies with the industry performance standards established by the Sporting Arms and Ammunition Manufacturers Institute, Inc., of the United States, (SAAMI) or the equivalent from other countries.

MANUAL SAFETY

These firearms are manufactured with a manual hammer block safety – USE IT!



NOTICE

Your firearm is equipped with the safety lever shown above. A manual safety is no substitute for safe, smart firearm handling.

Make the Firearm Safe – The safety lever must be rotated counterclockwise, fully, so that the lever covers the red dot.

THE SAFETY LEVER CAN BE ROTATED COUNTER-CLOCKWISE TO THE SAFE POSITION WHEN THE HAMMER IS IN THE REAR MOST FULLY COCKED POSITION OR IS IN THE HALF-COCKED POSITION. HALF-COCKED IS A POSITION BETWEEN THE REST AND THE FULLY COCKED POSITIONS. TO REACH THE HALF-COCKED POSITION SLOWLY PULL THE HAMMER FROM ITS REST POSITION TILL YOU HEAR THE CHARACTERISTIC SOUND OF A COUPLING.

NOTE: WHEN THE HAMMER IS HALF-COCKED THE TRIGGER IS BLOCKED AND CANNOT BE ACTIVATED. NOTE: THIS POSITION IS NO SUBSTITUTE FOR THE MANUAL SAFETY NOR FOR SAFE, SMART FIREARM HANDLING.

If you wish to safely decock the hammer from the fully cocked position, engage manual safety as described above and with the hammer under the full control of the user and **keeping the muzzle pointed in a safe direction**, holding and controlling the hammer with the thumb, pull the trigger, then slowly and carefully let the hammer move forward a bit, then release the trigger and continue moving the hammer slowly until it reaches the half-cocked position.

ROSSI

ALWAYS KEEP THE MUZZLE POINTED IN A SAFE DIRECTION.

The manual safety can be disengaged in the forward safe position or with the hammer in the fully cocked position by rotating the manual safety lever clockwise to the position where it exposes the red dot.

KEEP THE MANUAL SAFETY ON THE SAFE POSITION UNTIL YOU ARE READY TO SHOOT.



Hammer on the rest position



Hammer on the half-cocked position



Hammer fully cocked

DE-COCKING

If the firearm is fully cocked and the user desires to place the hammer in the rest position, then the hammer must be under full control of the user.

KEEP THE MUZZLE POINTED IN A SAFE DIRECTION. PUT THE SAFETY LEVER ON (red dot covered). WHILE CAREFULLY HOLDING AND CONTROLLING THE HAMMER WITH THE THUMB, PULL THE TRIGGER, SLOWLY AND CAREFULLY LET THE HAMMER MOVE FORWARD APPROXIMATELY 1/2" AND RELEASE THE TRIGGER. CONTINUE TO LET THE HAMMER DOWN UNTIL IT IS RESTING ON THE HALF COCKED POSITION.

⚠ WARNING

You should practice this method with an empty firearm until you are completely familiar and comfortable with this procedure.

This firearm must be loaded through the loading port located on the right side of the receiver. Note that the loading port is covered by a loading gate. With the muzzle pointed in a safe direction, make sure that the hammer is not cocked and the finger lever is on its rest position (action fully closed, finger lever close to the lower tang). Slowly and carefully push the cartridge against the loading gate to make it open and keep pushing the cartridge until it is completely inside the receiver. It is possible to load the firearm with any quantity of cartridges from one up to the maximum allowed on each model.



Gun being loaded through the loading port

If a cartridge is stuck in the barrel and you are unsure if it fired or not: Keep the muzzle pointed in a safe direction. Treat it as a live round and handle in accordance with “WHAT TO DO IF FIREARM FAILS TO FIRE” ON PAGE 18.

⚠ WARNING

The danger of personal injury or death associated with cartridges, fired or unfired, becoming stuck in a firearm can be avoided by using new, clean, factory loaded ammunition and never forcing ammunition into a chamber. If you have to force ammunition into the chamber, something is wrong! Stop! And take the rifle to a qualified gunsmith.

⚠ WARNING - ANY GUN MAY FIRE IF DROPPED

If dropped or struck, the firearm may fire.

⚠ WARNING

If dropped or struck the firearm should be inspected by a trained armorer/gunsmith for a complete function check. After the firearm was dropped or struck, mechanisms, including automatic safeties, may not function as intended resulting in accidental death or serious injury.

ROSSI

ALWAYS KEEP THE MUZZLE POINTED IN A SAFE DIRECTION.

ADJUSTING SIGHTS

1. Check the firearm to ensure it is unloaded and the muzzle is pointed in a safe direction.

2. Elevation Adjustment:

To adjust elevation on the rear sight, pull the rear sight upward using one hand and with the other one move the elevator forward to make the sight shorter or rearward to make the sight taller. The taller you set the rear sight the taller the point of impact will be.



Elevation Adjustment

3. Windage Adjustment:

To make the windage adjustment simply move the front sight left or right by hitting it carefully with a brass or plastic hammer. If the shot is moved left from the target move the front sight right. If the shot is moved right from the target move the front sight left.



Windage Adjustment

TO FIRE

⚠️ WARNING

Always be sure the firearm is pointed at the target and away from other people, buildings and vehicles before firing. Do not fire into water. When finished shooting, immediately set the manual safety to the safe position (red dot covered).

With the gun pointed at the target and the magazine tube loaded, swing the finger-lever forward then back. This movement will eject a cartridge that may be in the chamber and make the action ready for shooting. The gun is now loaded and cocked.



Swinging the Finger-Lever

With the action completely closed, aim at the target (carefully read all warnings and instructions in this manual) set the manual safety to the fire position (red dot exposed) then pull the trigger to fire the firearm.



Firearm, Loaded, Cocked and Ready to Shoot



Manual Safety ON



Manual Safety OFF

⚠ WARNING

Be careful not to accidentally pull the trigger when swinging back the finger lever, and keep the manual safety on the safe position until you are ready to pull the trigger. Failure to do so may result in accidental death or serious injury.

UNLOADING YOUR FIREARM

If you want to unload your firearm without shooting, set the manual safety on (red dot covered) and consecutively swing the finger-lever forward and back **WITHOUT PULLING THE TRIGGER** to eject the cartridges. Keep doing this until the firearm is empty (no cartridges come out after swinging the lever-finger).

⚠ WARNING

Always make sure the breech bolt will open in a safe direction and that the unfired cartridges will fall on a safe place. Cartridges ejecting from the chamber can cause injury. **ALWAYS INSPECT THE BARREL AND BORE VISUALLY TO MAKE SURE THAT THE CHAMBER IS EMPTY.**

ROSSI

ALWAYS KEEP THE MUZZLE POINTED IN A SAFE DIRECTION.

WHAT TO DO IF FIREARMS FAILS TO FIRE

1. Misfires – If you squeeze the trigger and the cartridge does not fire, remain in the shooting position and wait 30 seconds. Then, swing the lever-finger as previously described. This will eject the misfired cartridge from the gun.
2. Underpowered cartridge – An underpowered cartridge is unusual if the ammunition is fresh, clean, and factory loaded. However, if you hear an unusual sound or low report, you should stop immediately, wait a full 30 seconds and check, visually, both the chamber and bore to make sure there is no obstruction.

CARE AND MAINTENANCE

⚠ WARNING

Before cleaning. (1) point the muzzle in a safe direction, (2) keep your finger off the trigger, (3) rotate the manual safety lever counter clockwise to the position where it covers the red dot, (4) swing the finger lever forward (see page 16), visually inspect the chamber barrel and bore to ensure firearm is free and clear and safe to perform cleaning.

In order to keep a firearm safe to use, it must be kept clean and covered with a light film of good quality oil to prevent corrosion. The barrel bore should be cleaned and left free of debris.

For normal cleaning, rub it with a lightly oiled cloth. In the same way, proceed with the bore of the barrel. Excess oil should be removed. Dust should be removed from all crevices with a small clean brush.

REPAIR INSTRUCTIONS

Your firearm has been designed, engineered and manufactured in accordance with Rossi's rigid quality control standards. However, any mechanical device may occasionally require adjustment or repair.

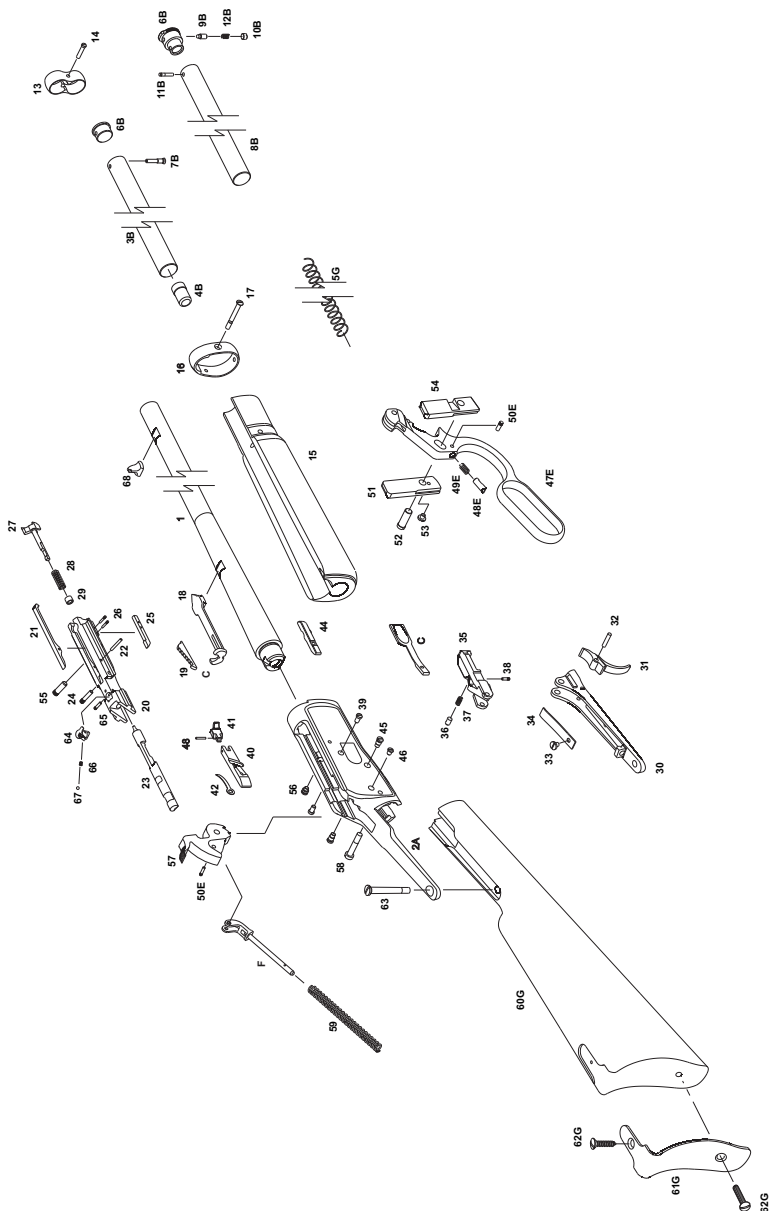
All firearms require periodic maintenance and inspection which may reveal a need for adjustment or repair. Have your firearm checked by a competent gunsmith annually, even if it seems to be working well, since breakage, improper functioning, undue wear, or corrosion of some components may not be apparent from external examination. If you notice ANY mechanical malfunction, do NOT continue to use the firearm. UNLOAD the firearm and take it to a competent gunsmith immediately. See repair policy on page 22.

ROSSI

ALWAYS KEEP THE MUZZLE POINTED IN A SAFE DIRECTION.

DRAWING AND PARTS LIST

This is intended as a generic guide and not a specific model or guide to assembly.



ALWAYS KEEP THE MUZZLE POINTED IN A SAFE DIRECTION.

1.....	Barrel	36	Carrier Stop
2	Receiver	37	Carrier Stop Spring
A	Receiver Assembly	38	Carrier Stop Pin
B	Magazine Assembly	39	Carrier Screw
3-B.....	Magazine Tube Outside	40	Cartridge Guide, Left
4-B.....	Magazine Follower	41	Cartridge Stop
5-B.....	Magazine Spring	42	Cartridge Stop Spring
6-B.....	Magazine Plug	43	Cartridge Stop Pin
7-B	Magazine Plug Screw	44	Cartridge Guide, Right
8-B	Magazine Tube Inside	45	Cartridge Guide Screws
9-B	Magazine Plug Slide Pin	D	Complete Spring Cover
10-B.....	Magazine Plug Screw	46	Spring Cover Screw
11-B.....	Magazine Plug Stop Pin	E	Finger Lever Assembly
12-B....	Magazine Plug Slide Pin Spring	47-E.....	Finger Lever
13	Front Band	48-E.....	Friction Stud
14	Front Band Screw	49-E.....	Friction Stud Spring
15	Forearm	50-E.....	Friction Stud Stop Pin
16	Rear Band	51.....	Locking Bolt, Left
17	Rear Band Screw	52	Locking Bolt Pin
18	Buckhorn Rear Sight	53	Locking Bolt Pin Stop Screw
C	Complete Rear Sight	54	Locking Bolt, Right
19	Elevator	55	Lever & Breechbolt Pin
20	Breech Bolt	56	L & B Pin Hole Plug Screw
21	Extractor	57.....	Hammer
22	Extractor Pin	F	Main Spring Rod
23	Firing Pin	58	Hammer Screw
24	Firing Pin Stop Pin	59	Main Spring
25	Ejector Spring Stop	G	Stock Assembly
26	Ejector Spring Stop Pin	60-G.....	Stock
27	Ejector	61-E.....	Butt Plate
28	Ejector Spring	62-E.....	Butt Plate Screw
29	Ejector Collar	63	Upper Tang Screw
30	Lower Tang	64	Locking Lever
31	Trigger	65	Locking Pin
32	Trigger Pin	66	Locking Spring
33	Trigger Spring Screw	67	Locking Ball
34	Trigger Spring	68	Front Sight
35	Carrier		

ROSSI

ALWAYS KEEP THE MUZZLE POINTED IN A SAFE DIRECTION.

PARTS

All firearms require periodic maintenance and inspection which may reveal a need for adjustment or repair. Have your firearm checked by a competent gunsmith, even if it seems to be working well, since breakage, improper functioning, undue wear, or corrosion of some components may not be apparent from external examination. If you notice ANY mechanical malfunction, do NOT continue to use the firearm. UNLOAD the firearm and take it to a competent gunsmith immediately.

Our Service Department maintains a full complement of replacement parts for our firearms of current manufacture. Even though most gunsmiths have the knowledge, training and ability to make the necessary repairs to your firearm, the skill and workmanship of any particular gunsmith is totally beyond our control. Should your firearm ever require service, we strongly recommend that you return it to BrazTech. Follow the instructions outlined on the warranty card included with your firearm. Remember, unauthorized adjustments or parts replacement can void your warranty. It is the responsibility of the purchaser to be absolutely certain that any parts ordered from BrazTech are of the correct type and are properly fitted and installed by a competent person. THIS FIREARM IS A PRECISION MECHANISM AND THE IMPROPER FITTING OF PARTS OR IMPROPER MECHANICAL ADJUSTMENT MAY RESULT IN A DANGEROUS MALFUNCTION, DAMAGE TO THE FIREARM, AND POSSIBLE SERIOUS INJURY TO THE SHOOTER OR TO OTHERS. Therefore, the purchaser and/or installer of parts must accept full responsibility for the correct adjustment of and function of the firearm after such installation has been made or attempted.

ROSSI LONG GUN REPAIR POLICY

What does this policy cover?

This policy covers any service and repair needed by any product imported by Braztech International, L.C. or manufactured in the United States by Braztech International, L.C.

How long does coverage last?

This policy is in effect for one (1) year from the date of original purchase.

What will we do?

BrazTech will service and/or repair all covered products free of charge.

What does this policy not cover?

This policy does not cover stock and forend, sights, accessories, or cosmetic defects, or damage caused by customer abuse at any time. Modifications to the firearm may void this repair policy. This express limited repair policy is the only warranty on this product. This product is sold "as is" and has no implied warranties of merchantability or fitness for a particular purpose. There are no warranties which extend beyond the description on the face hereof.

How do I get service?

To simplify repair and service, Rossi products imported by Braztech International are serviced and repaired by Braztech. Questions regarding the products of either company can be directed to Braztech in Bainbridge, Georgia at 800-948-8029, or in writing to: **C/O Consumer Affairs Department, 100 Taurus Way Bainbridge, GA 39817**

In order to obtain service or repair, describe the problem in writing and send the gun to Braztech at the above address, insured and pre-paid with the written description of the problem enclosed and the receipt indicating the initial date of purchase.

FIREARMS MUST BE SHIPPED UNLOADED. Double check the chamber of your firearm before shipping. If firearms are sent to BrazTech in a loaded condition, we are required by law to notify the Federal authorities. **DO NOT INCLUDE AMMUNITION** with your firearm. This is a violation of federal law.

DO NOT include telescopic sights; custom grips, holsters, ammunition or other accessories with any firearm shipped to us.

When shipping Matched Pair or Matched Set models for repair, all barrels must be included with the firearm. Be sure to repackage the additional barrels in their shipping tubes to prevent damage to the finish and to the stocks during shipment. BrazTech is not responsible for shipment damage.

Our Customer Service Department will contact you by mail advising you when to expect your gun back. We will ship guns serviced because of defect in materials or workmanship insured and pre-paid. There will, of course, be no charge for parts or labor if the repair work performed is covered by this repair policy.

How does state law apply?

This policy gives you specific legal rights and you may also have other rights which vary from state to state.

ROSSI

ALWAYS KEEP THE MUZZLE POINTED IN A SAFE DIRECTION.

A WORD TO THE WISE

Most gun accidents happen because the shooter carelessly violates the single most important rule of safe gun handling: **Always keep the muzzle pointed in a safe direction!**

Important: **Do not discard.** keep this manual with your firearm. Upon change of ownership, transfer this manual with the firearm.



WWW.ROSSIUSA.COM

© Copyright 2017 Braztech International, L.C.
Rossi is a registered mark of Amadeo Rossi, S.A.

The information in this manual is provided as guidelines and directions for the safe use of your firearm. Braztech and/or Rossi cannot be held responsible for the misuse, illegal or negligent use of our products.

We strongly encourage all firearms owners to observe all firearms safety rules.

WARNING: This product contains chemicals known to the State of California to cause cancer, or birth defects or other reproductive harm.

Keep this and all firearms and ammunition away from unsupervised children. Firearms safety is everyone's responsibility.

Read Carefully Before Using Your Firearm