



FOUR RETICLE REFLEX OPTIC

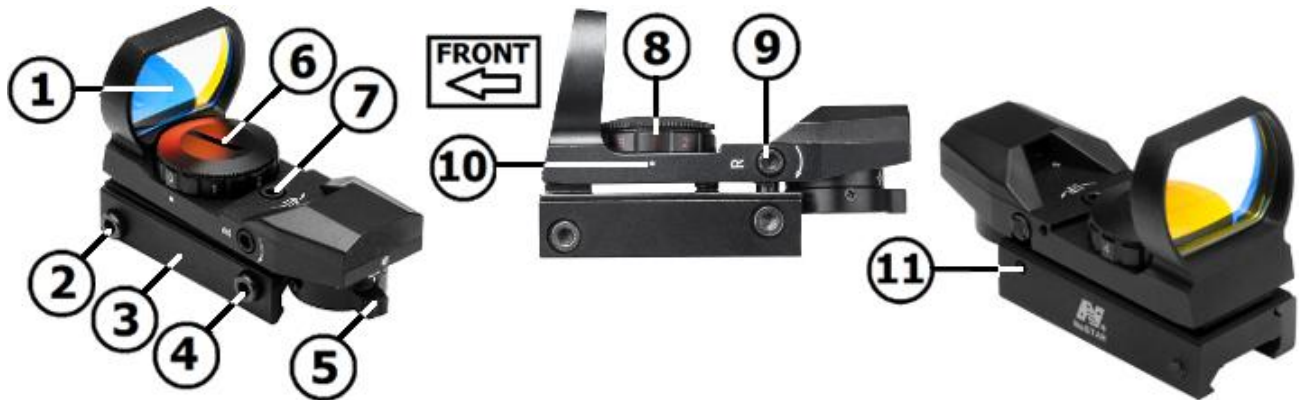
INSTRUCTIONS

FOUR RETICLE REFLEX OPTICS

Congratulations on your purchase of this NcSTAR Four Reticle Reflex Optic with Red (D4B model) or Red & Green (D4RGB model) reticles. This Reflex Sight is a compact reflex optic, packed with many features. It has a wide field of view to acquire your targets quickly, unlimited eye relief for flexible mounting options, four different Reticles to choose from, and multiple brightness levels for the reticles.

This Optic is backed by our NcSTAR Lifetime Limited Warranty. We trust that you will receive many years of enjoyment and service from your Optic.

- ❖ **CAUTION: BE SURE THAT YOUR FIREARM IS UNLOADED AND IS ALWAYS POINTED IN A SAFE DIRECTION. ALWAYS PRACTICE SAFE AND PROPER FIREARM HANDLING PROCEDURES AT ALL TIMES.**
- ❖ **NOTE: IF YOU ARE UNFAMILIAR WITH THE PROCESS OF MOUNTING AN OPTIC, IT MAY BE NECESSARY TO EMPLOY THE SERVICE OF A QUALIFIED GUNSMITH.**
- ❖ **PLEASE FOLLOW ALL OF THE DIRECTIONS IN THIS MANUAL CAREFULLY.**



1. Reflex Lens (Faces Barrel Muzzle)
2. Long Mount Bolt/ Locking Lug
3. Side Mount Plate
4. Short Mount Bolt
5. 4-Way Reticle Type Selector Switch
6. Battery Cap

7. Elevation Adjustment Screw
8. Rheostat Knob – Reticle Brightness settings
9. Windage Adjustment Screw
10. Indicator Mark for Rheostat (white dot)
11. Elevation Lock Set Screw

FEATURES:

- Heads Up design with a wide field of view 23mm X 33mm Lens, to quickly acquire your target!
- You can select from any of the Four Reticle types included with the optic.
- Unlimited eye relief for flexible mounting, you can mount it anywhere on your optics rail.
- LED Reticles (Light Emitting Diode) is 100% safe for the eyes.
- Fully Adjustable for Elevation & Windage, to get your shots on target!
- Multiple brightness settings for each for the Reticles, for use in all lighting conditions.
- Base Mount will mount onto most Weaver and Picatinny type rails.
- Aluminum construction with a durable black anodized finish.

Mounting the Optic:

This Optic is equipped with a Mounting Base that will attach onto most Weaver & Picatinny type rails.

For mounting the Optic onto your firearm:

1. To attach the Optic to a Weaver or Picatinny type rails, remove both of the Long & Short Mounting Bolts using the supplied Allen wrench and set aside the Side Mount Plate.
2. Place the Optic onto the rail and align the front of the Optic where the Long Bolt is installed with a cross slot on the rail. This Optic has an unlimited eye relief for very flexible mounting options; you may mount the Optic anywhere on your optic's rail.
3. Place and align the Side Mount Plate with the Optic's Mount Base and install the Long Mount Bolt loosely at first into the front hole.
4. Next install the Short Mount Bolt through the Side Mount Plate into the main Mount Base. Make sure that the Optic is sitting on your optics rail correctly before tightening the bolts completely.
5. Tighten both bolts evenly, be careful of over tightening the bolts. You want to tighten the bolts just tight enough for the optic to not move from the recoil.

For removal of the Optic from your firearm:

1. Remove both of the Long & Short Mounting bolts and set aside the Side Mount Plate.
2. Remove the Optics from the optic's rail and reassemble the optic with the Side Mount Plate and both Long & Short Mounting bolts.

Reflex Sight Operations:

The Four Reticle Reflex Optic has multiple brightness levels for each of the reticles. There is a White Dot as a Rheostat Indicator Mark on the left side of the body, between the lens and the rear housing.

If you look closely at the sides of the Rheostat knob you will notice a series of numbers and letters. The D4B has a white numbers; the "0" is the off position. The letters "G" (Green) or "R" (Red) represents the OFF position for the D4RGB model. If you turn the knob in either direction the selected Reticle will turn ON. There are multiple brightness levels: "1" being the dimmest and the higher numbers increases the brightest level for the reticle. Adjust the brightness level as needed in accordance with the current lighting conditions. Be sure the Rheostat Knob is set to the number "0" or the letters "G" or "R" positions when not in use to preserve battery life.

If the reticle is too bright, blurry, or reticle has a halo around it you may have the brightness setting set too high. Try turning down the brightness level. Adjust the brightness level for the ambient light levels for the best experience.

At the rear of the Reflex Optic is a four way Reticle Selector Switch. Above the switch there is a White Dot to indicate the reticle type that is selected. Rotate the switch left or right to select your desired Reticle type.

Battery Installation:

1. The Battery compartment is located within the Rheostat Knob.
2. On the top of the Rheostat Knob you will notice a thin Battery Cap with a slot machined in the center of the cap. To remove the Battery Cap grasp the knurled edges of the cap firmly with one hand or use the edge of a coin in the slot and twist the Battery Cap Counter-Clockwise (↺) while holding the Rheostat Base Knob firmly in place with the other hand.
3. Remove the old battery and dispose of it properly. Replace it with a New 3 volt Lithium Battery type **CR2032** only. Place the Battery in the Battery compartment with the Positive “+” terminal facing out. Twist the Battery Cap Clockwise (↻) back on to the Rheostat Knob and hand tighten only. Avoid using tools (such as pliers) to perform this procedure as this may cause damage to the unit.
4. If you turn the Rheostat to any of the numbered settings 1 or higher, but do not see the Reticle being reflected from the rear of the Reflex Lens, make sure the Battery was installed correctly.

Adjusting For Windage and Elevation:

The Elevation Screw is located on Top of the Main Body, next to the Rheostat Knob. Use the provided Allen Wrench to make adjustments. Before you make any Elevation adjustments, you must first loosen the Elevation Lock Set Screw located on the rear hole on the right side of the Base Mount.

- Turning the Elevation Screw Clockwise (↻) will move the Reticle Up (↑). Moving the Bullet impacts Down (↓) from the point of aim.
- Turning the Elevation Screw Counter-Clockwise (↺) will move the Reticle Down (↓). Moving the Bullet impacts Up (↑) from the point of aim.

The Windage Screw is located on the Left side of the Main Body. Use the provided Allen Wrench to make adjustments.

- Turning the Windage Screw Clockwise (↻) will move the Reticle to the Left (⇐). Moving the Bullet impacts Right (⇒) from the point of aim.
- Turning the Windage Screw Counter-Clockwise (↺) will move the Reticle to the Right (⇒). Moving the Bullet impacts Left (⇐) from the point of aim.

When you have finished adjusting the optic, you will need to tighten the Elevation Lock Set Screw Clockwise (↻) to lock the Elevation adjustment in place.

Sighting In Your Reflex Sight:

We recommend the use of a bore sighting device to save time and ammunition when zeroing your sight. This device will help you get on paper much quicker. Follow all of the instructions set by the manufacturer of your bore sighting device very carefully. Once you have achieved a relative zero by way of bore sighting, it is still necessary to shoot your firearm to ensure an accurate zero.

- ❖ **CAUTION: ALWAYS BE SURE TO REMOVE THE BORE SIGHTING DEVICE FROM YOUR FIREARM BEFORE SHOOTING LIVE AMMUNITION. FAILURE TO DO SO CAN RESULT IN DAMAGE TO YOUR FIREARM, OR INJURY TO YOURSELF AND THOSE AROUND YOU.**

With some firearms it may not be possible to use a bore sighting device. In this case it will be necessary to use a more traditional method of zeroing.

❖ **CAUTION: WHEN OPERATING ANY TYPE OF FIREARM ALWAYS USE PROPER EYE AND EAR PROTECTION. BE SURE TO USE YOUR FIREARM IN AN AREA THAT IS PERMISSIBLE UNDER LOCAL, STATE, AND FEDERAL LAW.**

1. From a steady and supported shooting position (such as a shooting bench with a rifle rest or sand bags) take careful & consistent aim and slowly fire three to five round groupings at a target.
2. Observe where the bullets have struck the target and adjust Windage and Elevation as necessary, until your point of aim matches your point of impact.
3. Your firearm and Reflex Sight is now zeroed. After you have the optics zeroed, you will need to tighten the Elevation Lock Set Screw Clockwise (↻) to lock the Zero in place.

Care and Maintenance:

The Optical lens surfaces will perform their best if they are routinely cleaned with a lens brush or the lens cloth (provided with your sight). For a deep cleaning, you can also use high quality camera lens paper and camera lens cleaning solutions. Never use any other type of materials or solvents other than those designed specifically for Optical lenses to avoid damaging your sight.

Clean the outer edges of the lens cavity first with cotton swabs, clearing as much debris and dust as possible. Then, gently clean the lenses using a circular motion starting in the center and ending at the edges. Do not rub the lenses continually; simply wipe in small circular patterns.

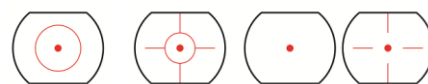
Maintain the exterior surfaces of the Reflex Optic by removing dirt or sand by using a soft brush or a clean soft dry cloth. You can also use a silicone treated cloth to restore luster of the Optic's body and protect the Reflex Optic against corrosion.

Be careful not to touch any of the lenses with the silicone cloth. When not in use, always store your sight in a dry place.

❖ **IF YOU ARE NOT SURE ABOUT ANY OF THE PROCEDURES IN THIS MANUAL, ALWAYS SEEK THE HELP OF A QUALIFIED PROFESSIONAL TO AVOID DAMAGE TO YOUR OPTIC AND YOUR FIREARM.**

Specifications:

Item #	Reticle	Reticle Color(s)	Magnification	Objective Dimensions	Eye Relief	Length (in.)	Width (in.)	Weight (oz.)	Lens Coating
D4B	Four Dot Reticles	Red	1X	23mm X 33mm	Unlimited	3.2	1.4	3.8	Ruby
D4RGT	Four Dot Reticles	Red & Green	1X	23mm X 33mm	Unlimited	3.2	1.4	3.8	Platinum



Bullseye Star Burst Dot Cross

FOUR RETICLE REFLEX OPTIC



FOR TECHNICAL ASSISTANCE CALL:
1-866-NCSTAR-8
(1-866-627-8278)

WWW.NCSTAR.COM