

# GRAND POWER K-100

INSTRUCTION MANUAL • NÁVOD NA POUŽITIE



**GRAND  
POWER**  
s.r.o.

SK

EN

# 1. CONTENTS / OBSAH

1. CONTENTS / <i>Obsah</i> .....	2	7. MAINTENANCE INSTRUCTIONS .....	12
2. INTRODUCTION .....	3	• Pistol Disassembly and Cleaning .....	12
3. BASIC SAFETY RULES.....	4	• Pistol Cleaning .....	13
4. TECHNICAL FEATURES AND DATA .....	6	• Barrel Bore and the Cartridge Chamber Cleaning .....	13
5. PISTOL DESCRIPTION AND TERMINOLOGY .....	8	• Other Pistol Parts Cleaning .....	13
6. OPERATING INSTRUCTIONS .....	9	• Preserving .....	13
• Ammunition .....	9	8. TROUBLESHOOTING, CAUSES AND REMEDIES .....	14
• Magazine Removal .....	9	SLOVAK MANUAL .....	15
• Magazine Loading .....	10	<i>Návod na použitie</i>	
• Pistol Loading.....	10	LIST OF PARTS .....	27
• Reloading During Shooting .....	10	<i>Schéma pištole</i>	
• Pistol Unloading .....	11	NAMES OF DETAILED ELEMENTS .....	28
• Safety Mode.....	11	<i>Názvy súčasti pištole</i>	
• Sight Adjustment .....	11		

## 2. INTRODUCTION

*Dear Customer,*

Thank you for buying a new semi-automatic pistol **GRAND POWER K-100**, 9 mm caliber LUGER. This pistol, which for sure will become a very good friend of yours, is manufactured in Slovakia using original Slovak “know-how” and the precise technology of CNC machines, from solid CrNiMo steel.

This pistol was carefully tested, inspected, and packaged before leaving the factory. Please, examine the pistol carefully at the time of purchase to ensure that it is undamaged and unloaded, as the Manufacturer (GP) cannot accept responsibility for the product once it leaves the factory and during transport.

This instruction manual should always accompany the pistol, whether it is being loaned or sold.

**READ THE ENTIRE MANUAL CAREFULLY BEFORE USING THIS FIREARM AND MAKE SURE THAT ANY PERSON USING OR HAVING ACCESS TO THIS FIREARM READS AND UNDERSTANDS ALL OF THIS MANUAL PRIOR TO USE OR ACCESS TO THE FIREARM.**

**WARNING:** All firearms have lethal potential. Therefore read the Basic Safety Rules carefully and understand them fully before attempting to use this firearm!

**NOTICE:** The Producer and / or its Local Official Distributors assume no responsibility for product malfunction, physical injury or property damage resulting in whole or in part from criminal or negligent use of the product, improper or careless handling, unauthorized modifications and the use of defective and / or improper hand-loading. Reloaded or remanufactured ammunition, customer abuse or neglect of the product are influences beyond manufacturer's direct and immediate control.

**NOTICE:** Grand Power reserves the right to make any changes it deems necessary to improve its models or to meet any requirements of manufacturing or commercial nature.

**NOTICE:** Pistol Grand Power K100 is available in multiple configuration as well as sport pistol for IPSC Division production, for Duty, and for every day carrying. By combination of several parts is possible to made an individual configuration , according of request of customer.

Current List of parts for customizing is available at web: [www.grandpower.sk](http://www.grandpower.sk)

### 3. BASIC SAFETY RULES

*Always follow the safety instructions for your safety and the safety of others.*

1. Always handle your pistol as if it were loaded.
2. Never point your pistol at anything you do not intend to shoot.
3. Never take anyone's word that a gun is unloaded.
4. Always make sure that your pistol is not loaded before laying it down, or handing it to another person.
5. Always keep and carry your pistol empty, with the hammer forward except when you intend to shoot.
6. Never abuse your pistol by using it for any purpose other than shooting.
7. Never leave the pistol cocked and ready to fire unattended.
8. Before loading your pistol, be sure that barrel bore, chamber, and action are clean and clear of obstructions. After shooting, clean a dirtied pistol as soon as possible.
9. Always use only clean, dry, original, high-quality, commercially manufactured ammunition, which is appropriate to the caliber of your pistol.
10. Never drink alcoholic beverages or take drugs before or during shooting.
11. Always wear safety glasses and ear protection when shooting.
12. Always keep the safety on when the pistol is loaded and cocked, until you are ready to fire.
13. Always keep clear and keep others clear of the ejection port.
14. Never squeeze the trigger or put your finger in the trigger guard until you are aiming at a target and ready to shoot.
15. Always be absolutely sure of your target, and the area behind it, before you squeeze the trigger. A bullet could travel through or past your target up to several hundred meters.
16. Never shoot at a hard surface such as rock, or a liquid surface such as water.
17. Never fire your pistol near an animal unless it is trained to accept the noise.
18. Never indulge in „horseplay“ while holding your pistol.

19. Failure to fire: hold the pistol, keeping it pointed towards the target, or a safe open area and wait 30 seconds. The round will fire within 30 seconds if a hangfire (slow ignition) has occurred. If the round does not fire after 30 seconds, remove the magazine, eject the round and examine the primer; if the firing pin indent on the primer is light, off center, or non-existent, have the pistol examined by a competent gunsmith.
20. Always make sure your pistol is not loaded before cleaning, storing or traveling.
21. Always lock up your pistol and ammunition in separate places out of the reach and sight of children and untrained people.
22. Never alter any parts of your pistol, as the safety and proper function of your pistol could be seriously compromised.
23. Always be aware that corrosion, use of damaged ammunition, dropping the pistol on hard surfaces or other „coarse treatment“ could cause damage you may not see. If something like this happens, have the pistol examined and tested by a competent gunsmith.

## 4. TECHNICAL DATA AND FEATURES

Caliber	9 mm Luger ( 9 x 19 )
Firing mechanism	SA / DA - 20 N / 34 N
Magazine	17 - cartridges, metal
Barrel length	108 mm, rifled
Overall length	202,5 mm
Hight without magazine	133,5 mm
Width through actuating elements	36 mm
Weight without magazine	740 g
Front sight	blade, integral with slide
Rear sight	notched bar dovetailet to slide
Actuating elements	double sided
Exactor hook	hidden within the slide
Finish polymer frame ( Polyamid GF 30 )	matte-black
metal slide	matte-black
Safeties	fall catch, external manual trigger lock

Characteristic features of this version are:

- large-capacity double-column magazine
- ergonomically-designed shape allowing shooting to be carried out by left or right hand
- double-sided actuating elements
- comfortable grip and balance
- good results at instinctive shooting (without aiming)
- low trigger pull weight
- selective SA / DA firing mechanism operation
- high accuracy of fire
- long service life
- high reliability, even with various types of cartridges
- slide stays open after the last cartridge is fired
- clear readable sights
- possible to fire by double tap or full automatic fire (for military use only)

## 5. PISTOL DESCRIPTION AND TERMINOLOGY

The K-100 pistol is a semi-automatic handgun which utilizes a rotating barrel to lock the barrel into the slide. It is produced in a “Standard” version which is suitable for personal defense, sport and military use. The names of basic pistol parts used in this Instruction Manual are the following:





## **Trigger mechanism function:**

### **SA (Single Action) – 20 N**

The trigger mechanism operates in a single action mode of fire. The hammer is cocked manually by pulling the slide backwards. The pistol then fires after the user presses the trigger. The trigger pull weight is low. After each discharge the hammer remains cocked.

### **DA (Double Action) - 34 N**

The trigger mechanism operates in a double action mode of fire. The hammer is cocked, released and the pistol fired by one press of the trigger. The trigger pull weight is higher than with SA, as the inner trigger mechanism cocks the hammer. After each discharge the hammer again remains cocked.

## **6. OPERATING INSTRUCTIONS**

### **Ammunition**

Use only factory-manufactured standard ammunition of appropriate caliber 9 mm Luger ( 9 x 19 ) which are in compliance with IPC regulations (International Proof Commission or SMMI -Sporting Arms and Ammunition Manufacturers Institute Inc. of the United States). The use of other cartridges could damage the handgun, cause malfunctions or injure the shooter.

### **Magazine Removal**

Hold the pistol in your right or left hand, press the magazine catch with the thumb and with the other hand remove the magazine ( Fig. 1 ).



## **Magazine Loading**

**With the open end uppermost, grasp the magazine in one hand.**

Place the cartridge on the magazine follower. Press the cartridge down and back until it touches the rear flat edge of the magazine. Place the next cartridge on top of the previous cartridge and press down and back. We recommend that when some cartridges are already loaded in the magazine, press them down slightly with the thumb of the hand that holds the magazine.

The number of cartridges can be checked through the inspection holes in the sides of the magazine. Do not try to exceed the magazine capacity - it can cause a feeding failure.

## **Pistol Loading**

**CAUTION: ALWAYS MAKE SURE THE PISTOL IS POINTED IN A SAFE DIRECTION!**

Insert a loaded magazine into the pistol and ensure that it has engaged the magazine catch. Hold the grip of the pistol with one hand, and with the thumb and index finger of the other hand, grasp the serrated finger grips on both sides of the slide. Retract the slide to a stop and allow it to snap forward. This procedure cocks the hammer and inserts a cartridge into chamber. The pistol is now ready to fire. If you do not intend to fire immediately, ensure the pistol Safety is on.

## **Reloading During Shooting**

When the last cartridge is fired, the slide will stay to the rear ( Fig. 2 ). Remove the empty magazine and replace it with a loaded one. Thumb down the slide stop with the shooting hand, or with the other hand, draw back the slide and allow it to snap forward. The pistol is again loaded and ready to fire.



## ***Pistol Unloading***

### **CAUTION : ALWAYS MAKE SURE THE PISTOL IS POINTED IN A SAFE DIRECTION !**

- remove the magazine
- draw back the slide and look to see if the last cartridge has been extracted from the chamber and ejected
- let the slide move fully forward and press the trigger (dry fire)

## ***Safety Mode***

Grasp the grip of loaded pistol, POINT IN A SAFE DIRECTION. With thumb and index finger of the other hand, hold the hammer firmly, pull the trigger and release the hammer slowly and gradually until it rests on the firing pin stop. Release the trigger. Apply extreme caution when lowering the hammer to avoid an accidental discharge! We strongly recommend that you practice this operation beforehand with unloaded pistol. In this position the pistol is safe for all normal handling and at the same time ready for immediate use. The design of this handgun incorporates a feature that the manual safety cannot be applied when the hammer is not cocked in order not to reduce the readiness of the pistol for use by accidental engaging of the manual safety.

## ***Sight Adjustment***

The pistol was „shot-in“ at the manufacturing plant at a distance of 25 m so that the mean point of impact conforms to the point of aim. Windage correction can be carried out by drifting the rear sight in the dovetail and then secured a set screw. Elevation correction is carried out by exchanging the rear sights for higher or lower ones.

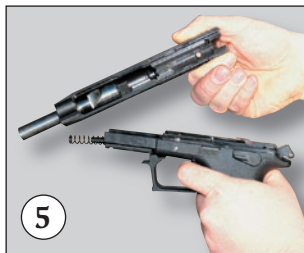
In case of need there is an option to exchange the usual rear sights for an adjustable sight of suitable type. These adjustments should be entrusted to a competent gunsmith.

## 7. MAINTENANCE INSTRUCTIONS

### *Pistol Disassembly and Cleaning*

#### **CAUTION: POINT YOUR PISTOL IN A SAFE DIRECTION**

- Remove the magazine. The pistol must not be disassembled with the magazine inserted.
- **MAKE SURE THERE IS NO CARTRIDGE IN THE CHAMBER!**
- With one hand grasp the pistol grip. Put the index finger of your other hand through the trigger guard, support your thumb against front lower part of the slide.
- Pull the trigger guard down and straight out to tilt the trigger guard downward ( Fig. 3).
- Pull the slide fully back, lift the rear end then move the slide forward to separate it from the barrel and frame ( Fig. 4 ).
- Remove the recoil spring and recoil spring guide and take out the barrel ( Fig. 5 ).



No further disassembly is needed for routine maintenance. When a great number of cartridges has been fired, it is advisable to have the firing pin and magazine cleaned by a competent gunsmith.

## **Assembling**

Assembly procedure is done in reverse sequence to disassembly.

Beware: during assembly the barrel **MUST** be shifted forward, out of the receiver with front barrel ring placed in receiver's cut out.

## **Pistol Cleaning**

Clean the pistol:

- each time you use it - as soon as possible after shooting
- if you get your pistol wet
- at least once a year in a temperate climate
- as often as once a month in a tropical climate, or other demanding environment

## **Barrel Bore and the Cartridge Chamber Cleaning**

If the pistol has not been fired or if only a few cartridges have been fired, clean the barrel bore and cartridge chamber with the clean patch attached to the cleaning rod. When the barrel bore is very dirty, apply a gun cleaning solution using a cleaning brush. Let the solvent act for about 10 minutes (time may vary depending on the solvent agent being used). Then thoroughly scrub the barrel bore with the included brush. Next, dry the barrel bore and cartridge chamber with a clean patch and check that all powder residues have been removed. Repeat this procedure if necessary. The cleaning rod and the brush

must be inserted into the barrel bore from the chamber end to prevent wear or damage to the muzzle. Move the brush all the way through the barrel bore before reversing the movement. If you try to change directions with the brush in the barrel, the brush could stick.

## **Other Pistol Parts Cleaning**

Other parts of the pistol (including the external surface of the barrel) should be cleaned with a dry cloth, old toothbrush, nylon bristle brush or a wooden scraper. Preserving oil or paraffin oil can be used for proper cleaning.

**Never use any bore cleaning agents or solvents on the polymer parts of the pistol!**

These solutions could remain in the joints, and after some time could cause corrosion. Check that cloth particles or brush bristles have not become lodged in any part of the pistol.

## **Preserving**

When the barrel bore, cartridge chamber, and all accessible parts are clean and dry, wipe these parts with a cloth soaked in gun oil, or apply oil spray. Remove all excess oil. Always wipe the barrel bore dry before shooting. At very low temperatures be sure to remove the oil from all accessible parts, or apply a lubricant designed especially for these conditions. Use thick preserving agents (preserving grease) only for long-term storage in demanding environments, and these agents must be thoroughly removed from all parts of the firearm before any use of the pistol.

## 8. TROUBLESHOOTING, CAUSES AND REMEDIES

Malfunction	Possible Cause	Remedy
A round has not been fed into the chamber or the slide has not fully locked with the barrel	Magazine is not fully inserted or is damaged.	Insert magazine properly or change magazine.
	The pistol or cartridges are fouled (dirty) or The pistol is too heavily oiled / greased.	Clean the pistol or wipe the cartridges dry or remove any excess oil / grease.
Misfire	Defective cartridge	Pull the trigger again. If a discharge is not initiated, follow the Basic Safety Rules according to point 19.
	Firing pin hole fouled (dirty) or improper lubrication has been used for low temperature conditions.	Disassemble and clean the firing pin or use a low-temperature lubricant.
A shot sounds „weak“ combined with failure to eject the cartridge case.	The primer has been activated but no powder load was inside the cartridge case.	Unload the pistol and check that the bullet is not lodged in the barrel; otherwise a subsequent shot could cause damage to the barrel.
The spent case has not ejected.	Cartridge chamber, extractor or ammunition dirty, or improper lubricant used in low temperature conditions.	Clean and wipe the pistol dry or lubricate lightly with a suitable agent. Use new and clean ammunition.

If your pistol is properly used and maintained, malfunctions will rarely occur. However, if such a situation does occur, please observe the following instructions.

### CAUTION:

If a malfunction occurs, the possibility of unintentional discharge is substantially increased. For this reason, carefully observe the Safety Instructions already mentioned above. Keep the pistol pointed in a safe direction, do not turn the pistol against your body or anyone else's.

If you use your pistol for self defense, or in law enforcement, please acquire so-called „dummy cartridges“ and practice fast clearing of malfunctions as described above.

### NOTICE:

If you cannot clear away any malfunction in the manner described above, entrust the pistol to a competent gunsmith for inspection and repair.

# K100 NÁVOD NA POUŽITIE A ÚDRŽBU

*Vážený zákazník,*

ďakujeme Vám, že ste si zakúpil pištoľ **GRAND POWER K-100**. Veríme, že táto pištoľ sa stane Vaším dobrým priateľom a pomocníkom. Pištoľ je vyrobená s využitím slovenského “know-how” na Slovensku najmodernejšou technológiou a vysokou precíznosťou na CNC strojoch, z vysoko kvalitnej CrNiMo ocele.

Skôr ako začnete manipulovať so zbraňou, zoznámte sa s týmto návodom, zvlášť s nasledujúcimi pokynmi.

Nesprávne a neopatrné zaobchádzanie so zbraňou môže spôsobiť neúmyselný výstrel, ktorý môže mať za následky zranenie, smrť, alebo škodu na majetku. Rovnaké následky môžu mať svojvoľné úpravy, korózia alebo používanie neštandardného streliva. V takýchto prípadoch nemôže výrobca niesť za vzniknuté následky zodpovednosť.

Predtým, ako bola zbraň daná do predaja bola preskúšaná, dôkladne skontrolovaná a zabalená. GRAND POWER s.r.o. nemôže kontrolovať zaobchádzanie so zbraňou po opustení továrne, preto si pri kúpe overte, že je vybitá a nepoškodená.

Táto príručka s inštrukciami by mala byť vždy k pištoľi priložená, a to aj v prípade že pištoľ niekomu požičiate alebo predáte.

# BEZPEČNOSTNÉ POKYNY

Dbajte na dodržiavanie bezpečnostných predpisov pre Vašu bezpečnosť a bezpečnosť ostatných.

1. Vždy zaobchádzajte so zbraňou, ako keby bola nabitá.
2. Nikdy svoju zbraň nemierte na nič, na čo nechcete vystreliť.
3. Nikomu neverte, že zbraň nie je nabitá.
4. Kým zbraň odložíte, alebo dáte inej osobe, vždy sa presvedčte, či nie je nabitá.
5. Zbraň ukladajte nenabitú s kohútikom v prednej polohe.
6. Nikdy nepoužívajte zbraň k inému účelu, ako k streľbe.
7. Nikdy nenechávajte zbraň natiahnutú a nabitú bez dozoru.
8. Pred nabitím zbrane sa presvedčte, že vývrt hlavne, komora a záver sú čisté a bez prekážok. Pištoľ znečistenú do streľby čo najskôr vyčistite.
9. Používajte len čisté, suché, originálne – závodom vyrobené strelivo vysokej kvality, v dobrom stave, zodpovedajúce kalibru vašej zbrane.
10. Nikdy nepite alkoholické nápoje ani neužívajte drogy pred alebo počas streľby.
11. Pri streľbe používajte chrániče sluchu a ochranné okuliare.
12. Keď je zbraň nabitá a natiahnutá majte poistku v polohe zaistená až do okamžiku, kým ste pripravený k streľbe. Pri odisťovaní mierte do bezpečného priestoru.
13. Neblokujte vyhadzovacie okienko a dbajte, aby nebola osoba, alebo iná prekážka v smere vyhodenej nábojnice.
14. Nikdy nestláčajte spúšť a nedávajte prsty do lúčiku spúšte, pokiaľ nemierite na cieľ a nie ste pripravený strieľať.
15. Kým stlačíte spúšť ešte raz si skontrolujte váš cieľ a priestor z ním. Strela môže letieť skrz, alebo mimo váš cieľ ešte niekoľko stoviek metrov.
16. Nikdy nestrieľajte na tvrdý povrch ako je kameň, alebo na vodnú plochu.
17. Nestrieľajte so zbrane v blízkosti zvierata, ak nie je na tento hluk vycvičené.
18. Kým držíte zbraň, nikdy sa neoddávajte „hrubým žartom“.



19. Zlyhanie výstrelu: V prípade, že nedôjde k výstrelu, držte zbraň namierenú na cieľ, alebo na bezpečný priestor a počkajte tridsať sekúnd. Pokiaľ nastal oneskorený zápal, náboj do tridsať sekúnd vystrelí. Ak k výstrelu nedôjde, vytiahnite zásobník, vyberte náboj z hlavne a prezrite zápalku. Ak je stopa od zápalníka na zápalku slabá, mimo stred, alebo žiadna, nechajte pred ďalšou streľbou zbraň prehliadnúť kvalifikovaným odborníkom.
20. Pred čistením, skladovaním, alebo dopravou sa vždy presvedčte, že vaša pištoľ nie je nabitá.
21. Pištoľ a náboje ukladajte v oddelenom a uzamknutom priestore, mimo dosah detí a nepovolených osôb.
22. Nikdy neupravujte súčiastky zbrane. Môžete tak závažným spôsobom narušiť jej správnu funkciu, alebo jej bezpečnosť.
23. Pamätajte, že korózia, použitie vadných nábojov, pád zbrane na tvrdý povrch, alebo iné „hrubé zaobchádzanie“ môže spôsobiť poškodenie, ktoré nemusí byť na prvý pohľad viditeľné. Pokiaľ dôjde k niečomu takému nechajte si zbraň prehliadnúť odborníkovi.

# POPIS ZBRANE

Názvy všetkých súčiastok pištole sú uvedené v kapitole zoznam súčiastok.

Zbraň K100 je samonabíjacia zbraň s uzamknutým záverom, pracujúcim pri krátkom záklze hlavne a jej pootočení (rotácii).



Medzi jej charakteristické vlastnosti patrí:

- Patentovo chránené uzamykanie záveru
- Moderný dizajn
- Plynulý chod spúšte
- Vysoká presnosť streľby
- Vysoká životnosť
- Vysoká spoľahlivosť i pri použití rôznych typov munície

# POKYNY NA POUŽÍVANIE

## **Strelivo**

Používajte výhradne strelivo továrenskej výroby príslušného kalibru, ktoré zodpovedá predpisom CIP (Medzinárodnej organizácie pre skúšanie ručných palných zbraní a streliva), alebo SAAMI (Americká norma pre zbrane a strelivo). Použitie neštandardného streliva môže spôsobiť poškodenie zbrane, alebo zranenie strelca.

## **Vybratie zásobníka**

Uchopte zbraň do pravej (ľavej) ruky a palcom (prostredníkom) stlačte záchyt zásobníka. Zásobník sa vysunie z rukoväte zbrane.

## **Plnenie zásobníka**

Zásobník zoberte do ruky ústím hore. Položte náboj na prednú časť podávača a stlačte ho smerom dole a dozadu, až sa dotknete zadnej steny zásobníka. Ďalší náboj umiestnite na predchádzajúci a zasunite takým istým spôsobom. Ak je v zásobníku väčší počet nábojov je vhodné palcom ruky, ktorá drží zásobník, tlačiť stĺpec nábojov.

Počet nábojov v zásobníku môžete sledovať kontrolnými otvormi v jeho stenách. Nepokúšajte sa prekročiť kapacitu zásobníka – mohlo by to spôsobiť zlé podanie prvého náboja do komory.



## ***Nabíjanie zbrane***

### **PRI NABÍJANÍ ZBRANE VŽDY MIERTE DO BEZPEČNÉHO PRIESTORU!**

Vsuňte plný zásobník do rukoväte a presvedčte sa, či je zachytený záchytný zásobníka. Uchopte zbraň jednou rukou za rukoväť a palcom a ukazovákou druhej ruky chyťte vrúbkovanú časť záveru. Záver natiahnite smerom dozadu až na doraz a pustite. Pritom sa do komory zasunie náboj. Teraz je zbraň pripravená k streľbe. Zbraň s nábojom v nábojovej komore a so spusteným kohútom je veľmi bezpečná na nosenie, je stále pripravená k výstrelu pričom odpadá nutnosť manipulácie s poistkou. Stačí stlačiť spúšť, čím dôjde k napnutiu kohúta a následnému výstrelu.

### ***Prebíjanie počas streľby***

Po vystrelení posledného náboja zostane záver v zadnej polohe. Vyberte prázdny zásobník a zasunite naplnený. Rukou natiahnite záver dozadu a vypustite ho, alebo palcom zatlačte na záchyt záveru, čím dôjde k jeho vypusteniu. Zbraň je znova nabitá a pripravená k streľbe.



## **Vybíjanie zbrane**

### **ZAMIERTE DO BEZPEČNÉHO PRIESTORU!**

- vyberte zásobník
- natiahnite záver a pozrite sa, či sa v nábojovej komore nenachádza náboj
- vypustite záver dopredu
- stlačte spúšť (rana istoty)

## **Zaistenie zbrane**

Pistoľ K100 je vybavená spúšťovým mechanizmom typu SA/DA. Na stranách rámu pištole je umiestnená poistka s polohami zaistené a odistené. Ak je páčka v polohe šikmo hore, zbraň je bezpečne zaistená.

Pamätajte, že najbezpečnejšie zaistenie zbrane je jej vybitie a uloženie na bezpečnom mieste.

## **Nastavenie mieridiel**

Pistoľ K100 bola pred expedíciou nastrelená na vzdialenosť 25m tak, aby stredný bod zásahu sa približne zhodoval zo zámerným bodom. Cielnik Pištole K100 umožňuje vďaka fixácii skrutkou stranovú korekciu. Súčasťou balenie je kľúč na dotiahnutie tejto skrutky, takže prípadnú stranovú korekciu si môže spraviť každý užívateľ individuálne.



# POKYNY PRE ÚDRŽBU

## Rozborka pre čistenie

### ZAMIERTE DO BEZPEČNÉHO PRIESTORU!

1. Vyberte zásobník
2. Natiahnite záver mierne dozadu



3. PRESVEDŤE SA ČI V NÁBOJOVEJ KOMORE NIE JE NÁBOJ!
4. Stiahnite lúčik smerom dopredu a nadol.
5. Záver s hlavňou ťahajte dozadu a nahor, čím ich oddelíte od rámu.
6. Vyberte vratnú pružinu a nakoniec hlavneň zo záveru.  
Takto vykonaná rozborka pre bežnú údržbu stačí.



### **Upozornenie:**

Žiadne ďalšie diely zbrane nerozoberajte. Pokiaľ sa domnievate, že zbraň vyžaduje nastavenie, alebo opravu, zverte ju odbornej dielni!

## **Skladanie zbrane :**

Prebieha v opačnom postupe ako rozborka. UPOZORNENIE : Je nevyhnutné, aby hlaven bola vysunutá v závere do prednej polohy, pričom predný prstenec hlavne musí zapadať do zahĺbenia v prednej časti záveru.

## **Čistenie zbrane**

Zbraň čistite

- po každom použití
- po každom navlhnutí
- čo najskôr po streľbe
- v miernych klimatických podmienkach najmenej jedenkrát do roka
- v náročných klimatických podmienkach najmenej jedenkrát za mesiac

## **Čistenie vývrtu a nábojovej komory**

Pokiaľ nebolo zo zbrane strieľané, alebo bolo vystrelených len niekoľko nábojov, utierajte vývrt a nábojovú komoru suchou handričkou, navlečenou na vyterák. Handričky vymieňajte tak dlho, až kým posledná handrička nebude čistá.

Pokiaľ je vývrt silno znečistený, naneste do neho a do komory kefkou čistiaci roztok, nechajte ho aspoň 10 minút pôsobiť (doba pôsobenie sa môže u rôznych čistiacich prostriedkoch líšiť) a vyčistite kefkou. Vysušte vývrt a komoru čistou handričkou a skontrolujte, či boli všetky nečistoty odstránené. V prípade potreby postup opakujte.

Vyterák a kefkou zasúvajte do hlavne a do komory, aby sa nepoškodilo ústie hlavne. Kefku vytlačte celou hlavňou. Pokiaľ by ste zmenili smer pohybu s kefkou v hlavni, mohla by sa kefka v hlavni vzpriechiť.



## **Čistenie ostatných častí zbrane**

Ostatné časti zbrane (vrátane vonkajších plôch hlavne) čistite suchou handričkou, starou kefkou na zuby, mosadznou kefkou, alebo drevenou škrabkou. Pri čistení môžete použiť i konzervačný olej, alebo petrolej. Nikdy však nepoužívajte roztok určený pre čistenie vývrtu. To by mohlo zostať v špárah medzi súčiastkami a po dlhšej dobe spôsobiť koróziu.

Presvedčte sa, či zbytky handričky, alebo štetiny z kevky neostali v žiadnej časti zbrane.

## **Konzervácia**

Vývrt, nábojovú komoru a všetky prístupné súčiastky po vyčistení pretrite handričkou zvlhčenou konzervačným olejom, alebo použite olej v spreji.

Prebytočný olej zotrite

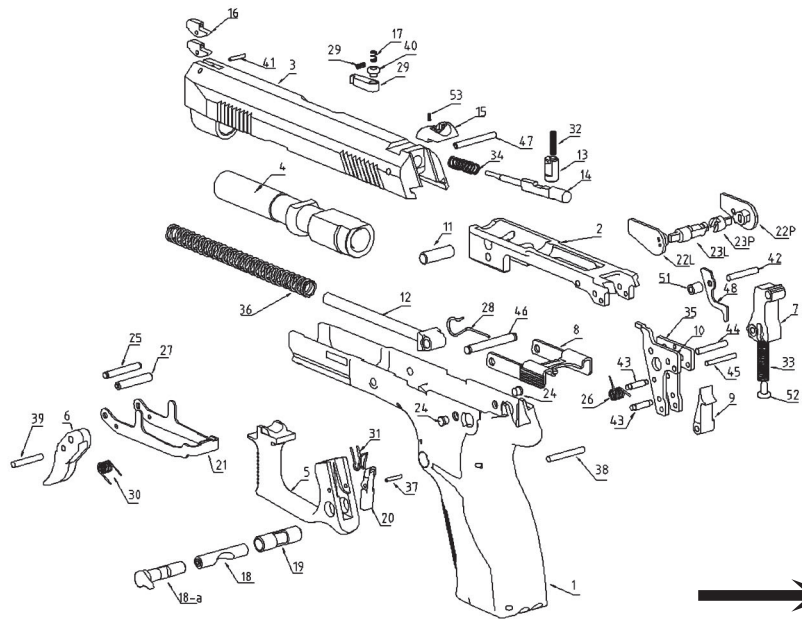
Pred streľbou vytrite vývrt do sucha. Ak používate zbraň pri nízkych teplotách odstráňte olej zo všetkých prístupných častí, alebo použite špeciálne mazadlo určené pre tieto podmienky.

Konzervačnú vazelínu používajte len pre dlhodobé skladovanie v náročných klimatických podmienkach a pred použitím zbrane ju dôkladne odstráňte.

# TECHNICKÉ ÚDAJE

## Grand Power K100

Kaliber:	9mm Luger
Kapacita zásobníka:	17rám
Dĺžka:	202,5mm
Výška bez zásobníka:	133,5mm
Hmotnosť s prázdny m zásobníkom:	820g
Hmotnosť bez zásobníka:	740g
Šírka cez ovládacie prvky:	40mm
všetky ovládacie prvky sú riešené obojstranne	
Systém uzamykania záveru:	pomocou rotácie hlavne
Rám zbrane:	oceľový kontajner obsahujúci spúšťovo bicí mechanizmus vložený do plastového tela
Materiál plastového tela:	polyamid GF30



Č./No	Názov súčasti pištole	Name of detailed element
01	Rám	Frame
02	Vložka	Insert
03	Záver	Slide
04	Hlaveň	Barrel
05	Lúčik	Trigger guard
06	Spúšť	Trigger
07	Kladivo	Hammer
08	Záchyt záveru	Slide stop
09	Záchyt kladiva	Sear
10	Vyhadzovač	Ejector
11	Uzamykací valček	Locking pin
12	Vodiaca tyč	Recoil spring guide
13	Autopoistka	Autosafety
14	Úderník	Firing pin
15	Cieľník	Rear sight
16	Muška	Front sight
17	Pružina fixácie vyťahovača	Extractor fixate pin spring
18	Tlačidlo záchytu zásobníka - valček	Magazine release
18a	Vypúšťač zásobníku - páčka	Magazine release - lever

Č./No	Názov súčasti pištole	Name of detailed element
19	Čap lúčiku	Trigger tube
20	Záchyt zásobníku	Magazine catch
21	Tiahlo	Trigger bar
22	Hmatník – L/P	Safety lever
23	Čap poistky	Safety pin
24	Aretačný nit	Arrest clench
25	Kolík tiahla	Rod pin
26	Pružina záchytu kladiva	Hammer catch spring
27	Kolík tiahla	Trigger bar pin
28	Pružina záchytu záveru	Slide stop spring
29	Vyťahovač	Extractor
29a	Pružina vyťahovača	Extractor spring
30	Pružina spúšte	Trigger spring
31	Pružina záchytu zásobníka	Magazine catch spring
32	Pružina autopoistky	Autosafety spring
33	Pružina kohúta	Hammer spring
34	Pružina úderníku	Firing pin spring
35	Bočnica	Slide plate
36	Pružina vratná	Recoil spring

Č./No	Názov súčasti pištole	Name of detailed element
37	Kolík záchytu zásobníka	Magazine catch pin
38	Kolík fixácie bočnic	Slide plate fixate pin
39	Kolík spúšte	Trigger pin
40	Valček fixácie vyťahovača	Extractor fixate pin
41	Fixačný kolík mušky	Front sight pin
42	Kolík páky autopoistky	Autosafety lever pin
43	Kolík záchytu kladiva	Hammer catch pin
44	Kolík kladiva	Hammer pin
45	Oporný kolík bicej pružiny	Hammer catch pin
46	Kolík záchytu záveru	Slide catch pin
47	Kolík zápalníka	firing pin
48	Páka autopoistky	Autosafety lever
49	Nie je zobrazená	Not on draving
50	Nie je zobrazená	Not on draving
51	Distančný stĺpik	Distance column
52	Opora bicej pružiny	Firing spring BACK-UP
53	Skrutka cieľníka	Rear sight screw



**GRAND  
POWER**  
s.r.o.

**GRAND POWER, spol. s r.o.**

Banská Bystrica, Slovakia

[www.grandpower.eu](http://www.grandpower.eu)

e-mail: [info@grandpower.eu](mailto:info@grandpower.eu)