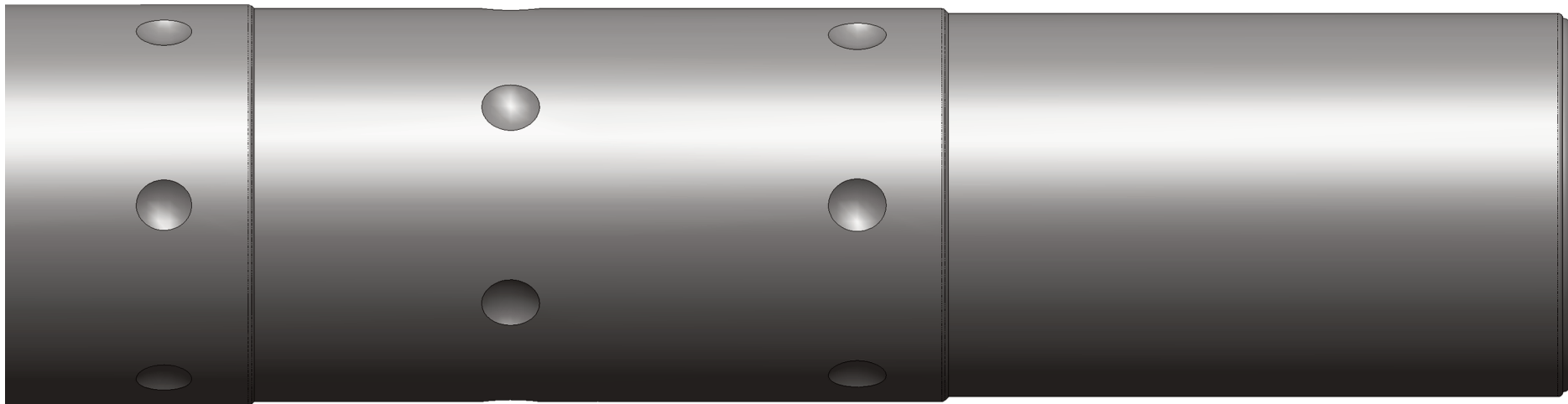




# TM-CYCLOPS™

---

TECHNICAL MANUAL FOR  
OPERATION AND MAINTENANCE  
OF SILENCER MODEL  
**CYCLOPS**



**AAC**  
ADVANCED ARMAMENT CORP.

1816 Remington Circle SW  
Huntsville, AL 35824



**ADVANCED ARMAMENT CORPORATION**

**Limited Lifetime Warranty for Silencers**

ADVANCED ARMAMENT CORP. ("AAC") warrants to the original purchaser ("Purchaser") of a new Silencer from AAC that such Silencer shall be free from defects in material and workmanship for the duration of time that the Purchaser originally owns that Silencer. AAC, in its sole discretion, shall repair or replace the Silencer if the Purchaser submits a valid warranty claim in accordance with these instructions. If AAC opts to replace the Silencer, AAC will keep the Silencer that it replaces. The Purchaser's remedies under this warranty are limited to repair or replacement of the Silencer; AAC will not provide cash, credit, or refund, nor will AAC return any parts that it replaced. AAC does not warrant against any type of defect to the Silencer that AAC did not cause, including but not limited to defects or failures arising out of:

1. Failure to provide proper care and maintenance,
2. Accidents, abuse, or misuse,
3. Silencer obstruction,
4. Hand loaded, reloaded, or improper ammunition,
5. Unauthorized adjustments, repairs, or modifications, or
6. Normal wear and tear.

Additionally, AAC EXCLUDES AND WILL NOT PAY INCIDENTAL OR CONSEQUENTIAL DAMAGES UNDER THIS WARRANTY. THIS WARRANTY ALSO EXCLUDES ANY OTHER WARRANTIES, TO INCLUDE IMPLIED WARRANTIES. Furthermore, no individual or entity other than AAC possesses the authority to alter the obligations, limitations, disclaimers, or exclusions under this warranty. AAC's obligations under this warranty shall not apply to the extent that any law, regulation, or other governmental requirements prohibits the repair, replacement and, or, return of a Silencer to the person who shipped the Silencer to AAC.

The Purchaser, in order to achieve eligibility under this warranty, must be able to produce, on request, Purchaser's original sales receipt for the Silencer that clearly indicates that Purchaser is the original purchaser at retail. The Purchaser, upon discovering a defect in material or workmanship in the silencer, shall contact AAC at 770-925-9988 or [techinfo@advanced-armament.com](mailto:techinfo@advanced-armament.com)

Upon receiving the Purchaser's correspondence or phone call, AAC shall provide instructions to the Purchaser governing the manner in which to return the Silencer for repair or replacement.

**Repair Policy**


Should the silencer require repair or modification, the owner should contact AAC Customer Service to secure a Return Merchandise Authorization (RMA). Once the customer has the RMA, they may then ship the silencer insured to AAC for evaluation and repair, along with a photocopy of the approved form proving ownership and a brief letter detailing the customer's concerns and contact information.

**Manufacturer's Disclaimer**

ADVANCED ARMAMENT CORP. shall not be responsible in any manner whatsoever for physical injury or property damage stemming from criminal or negligent misuse, improper or careless handling, unauthorized modifications, defective, improper hand-loaded or reloaded ammunition, neglect, or other influences beyond our direct and immediate control. If you do not understand the instructions and recommendations in this manual, contact ADVANCED ARMAMENT CORP. at 770-925-9988 for clarification.

© 2017 Remington Arms Company, LLC. CYCLOPS, the stylized AAC logo, Rem, BriteBore and Pro<sup>3</sup> are trademarks of RA Brands, L.L.C. All other trademarks used herein remain the exclusive property of their respective owners.

This manual contains operating, care, and maintenance instructions. To assure safe operation, any user of this silencer must use and understand this manual before using the silencer. Failure to follow the instructions and heed the warnings in this manual can cause property damage, personal injury, and/or death. This manual should always accompany this silencer, and be transferred with it upon change of ownership.  
**WARNING** Keep this silencer out of the reach of children, unauthorized and/or prohibited individuals, and others unfamiliar with the safe handling of firearms and silencers.

<b>Alert Symbols and Definitions:</b>	
	
<b>WARNING!</b>	Indicates a hazardous situation which, if not avoided, could result in property damage, personal injury, or death.
<b>CAUTION!</b>	Indicates a hazardous situation which, if not avoided, could result in minor to moderate personal injury.
<b>NOTE:</b>	Addresses practices not relating to personal injury.

© 2017 ADVANCED ARMAMENT CORP.

**OPERATIONAL MANUAL FOR SILENCER MODEL CYCLOPS**

*Distributed by*

**ADVANCED ARMAMENT CORP.**

Phone: (770) 925-9988

[www.advanced-armament.com](http://www.advanced-armament.com)

**CONTENTS:**

The Ten Commandments of Firearm Safety.....	P.1
General description.....	P.3
Installing your CYCLOPS Silencer onto a host firearm.....	P.4
Removing your CYCLOPS from a host firearm.....	P.6
Cleaning your CYCLOPS.....	P.6
Cleaning your CYCLOPS Silencer-Mounting Muzzle Brake.....	P.7



## SILENCER MODEL CYCLOPS

P.1

## THE TEN COMMANDMENTS OF FIREARM SAFETY

1. Always keep the muzzle pointed in a safe direction.
2. Firearms should be unloaded when not actually in use.
3. Do not rely on your firearm's safety.
4. Be sure of your target and what is beyond it.
5. Only use ammunition that exactly matches the markings on your firearm.
6. If your firearm fails to fire when the trigger is pulled, handle with care.
7. Always wear eye and hearing protection when shooting.
8. Be sure the barrel is clear of obstructions before shooting.
9. Do not alter or modify your firearm and have it serviced regularly.
10. Learn the mechanics and handling characteristics of your firearm.  
Read your firearm's instruction manual.

**WARNING!** Failure to follow the instructions and recommendations set forth in this manual can create a potentially dangerous situation for the user and surrounding personnel, and possibly leading to property damage, personal injury and/or death.

**WARNING!** DO NOT shoot through a CYCLOPS silencer that is mounted on a CYCLOPS Silencer-Mounting Muzzle Brake that has not been installed onto the host rifle using the included Rockset sealant and recommended torque fastening. Mounting and shooting through a CYCLOPS silencer that is mounted to an unsecured Muzzle Brake could lead to property damage, personal injury and/or death.

**WARNING!** DO NOT use an auxiliary thread adapter between your host weapon barrel and the CYCLOPS Silencer-Mounting Muzzle Brake. Using an auxiliary thread adapter between your host weapon barrel and the CYCLOPS Silencer-Mounting Muzzle Brake could lead to misalignment between the host weapon bore and the CYCLOPS silencer, which could lead to property damage, personal injury and/or death.

**WARNING!** We recommend having your CYCLOPS Silencer-Mounting Muzzle Brake installed by a competent gunsmith or armorer. Neither Advanced Armament Corp. nor its affiliates are liable for damage(s) to the host weapon, silencer, and user attributed to improper installation. An improperly installed or misaligned silencer-mounting muzzle brake can create a potentially dangerous situation for the user and

## SILENCER MODEL CYCLOPS

P.2

surrounding personnel, and may lead to property damage, personal injury and/or death.

**WARNING!** Always wear protective gear, such as eye protection and solvent-resistant gloves when working with any solvent. Only use solvents in a well-ventilated area away from open flames. Unsafe use of solvents may lead to property damage, personal injury and/or death.

**WARNING!** DO NOT use a crush washer or compression washer when installing a CYCLOPS Silencer-Mounting Muzzle Brake. Installing a CYCLOPS Silencer-Mounting Muzzle Brake with a crush washer or compression washer can lead to misalignment of the muzzle brake and the host weapon bore. Misalignment of the muzzle brake and the host weapon bore can create a dangerous situation that may lead to property damage, personal injury and/or death. Only use the alignment shim kit included with the CYCLOPS Silencer-Mounting Muzzle Brake to achieve proper alignment.

**WARNING!** Never install or remove a silencer on or from a host firearm that you have not verified to be completely empty and rendered safe. Installing or removing a silencer on or from a loaded firearm may lead to property damage, personal injury and/or death.

**WARNING!** The CYCLOPS is designed for use on modern bolt-action and single shot rifles in serviceable condition. It is the user's responsibility to ensure the intended host firearm is in serviceable condition. Using a CYCLOPS on firearms that are not in serviceable condition can lead to property damage, personal injury and/or death.

**WARNING!** The barrel threads must be properly machined to allow proper attachment of a CYCLOPS muzzle brake. The use of an improperly threaded barrel with a muzzle brake may lead to property damage, personal injury and/or death. Barrel threading guides are available on the AAC website at [www.advanced-armament.com](http://www.advanced-armament.com). For further clarification on muzzle threads, contact ADVANCED ARMAMENT CORP. at 770-925-9988.

**WARNING!** The bore through your CYCLOPS must align concentrically with the bore of the barrel to which it is mounted. A misalignment of the silencer and barrel bore may lead to property damage, personal injury and/or death.





## SILENCER MODEL CYCLOPS

P.3

**WARNING! Only fire full metal jacket ammunition loaded to military specifications through a CYCLOPS. The use of ammunition other than full metal jacket ammunition loaded to military specifications may lead to property damage, personal injury and/or death.**

**WARNING! Discharging silenced firearms can make airborne and/or deposit lead and other substances around, on and in the silencer. Using, handling and/or cleaning a silencer may result in exposure to lead and other substances known to cause birth defects, reproductive harm, cancer and other serious physical injury. Have adequate ventilation at all times and wash hands thoroughly after exposure.**

**CAUTION! Silencers can become extremely hot while the host firearm is being discharged. After shooting, allow the silencer to reach ambient temperature before attempting to remove the silencer from the firearm. If removal is necessary prior to the silencer cooling to ambient and/or the tightness of the silencer on the host firearm barrel must be verified, the use of heat-resistant gloves is mandatory. Handling a hot silencer without heat resistant gloves may lead to skin burns and/or personal injury.**

**CAUTION! Always wear eye and hearing protection when discharging a firearm. Discharging a firearm without wearing eye and hearing protection may lead to personal injury.**

**NOTE: The CYCLOPS was designed for use on single shot and bolt-action 50 BMG rifles. The use of a CYCLOPS on any self-loading 50 BMG firearms can result in malfunctions and premature wear to the host firearm.**

### GENERAL DESCRIPTION

Congratulations! You are now the proud owner of the only high-performance fast-attach 50 BMG silencer available in the marketplace today. The CYCLOPS is a compact, light-weight sound and flash suppressor designed to reduce the sound and visible flash signature of bolt action and single shot rifles chambering the 50 BMG cartridge. The revolutionary design of the CYCLOPS significantly reduces felt recoil, environmental disturbance, and aids in the preservation of the hearing of shooters and observers. In numerous circumstances, the CYCLOPS may deliver an overall sound signature below the pain threshold and risk limit for hearing loss\*. The CYCLOPS is constructed of specially heat-treated high strength alloys and is

## SILENCER MODEL CYCLOPS

P.4

CNC fusion welded to yield a structure that can withstand the intense pressures of the 50 BMG cartridge. The CYCLOPS couples to a proprietary muzzle brake using AAC's well-known ratchet-mount fast-attach system, allowing users to install or remove the suppressor in less than 10 seconds. The CYCLOPS is finished in durable matte black oxide. CYCLOPS Silencer-Mounting Muzzle Brakes are available for barrels with 7/8" x 14, 1"-14, and M24 x 1 muzzle threads. Instructions for installing a CYCLOPS Silencer-Mounting Muzzle Brake are included with the muzzle brake packaging, and are available for download on the AAC website at [www.advanced-armament.com/manuals](http://www.advanced-armament.com/manuals).

*\* The cumulative effects of sound on hearing are influenced by multiple factors, including but not limited to the sound level, the total amount of time (or number of times) one is exposed, barrel length, type of firearm operating system, ammunition selection, and the surrounding environment. Also, unforeseen events, such as case ruptures, can expose the user and bystanders to sound levels well beyond the level of suppressed fire. For these reasons, AAC recommends the use of hearing protection, even when shooting with a suppressor.*

### INSTALLING YOUR CYCLOPS ON A HOST FIREARM

**WARNING! Never attempt to attach a CYCLOPS to a muzzle brake with threads that are dirty or damaged, as this may lead to property damage, personal injury and/or death.**

**WARNING! Never attempt to attach a CYCLOPS with dirty or damaged threads to a muzzle brake, as this may lead to property damage, personal injury and/or death.**

**WARNING! Never use a silencer with an obstructed bore, as this may lead to property damage, personal injury and/or death.**

1. Always keep the firearm pointed in a safe direction.
2. Render the firearm safe by removing the magazine, completely unloading the firearm and engaging the safety mechanism to the "SAFE" position. See the firearm's owner's manual for detailed instructions.
3. Inspect the threads on the exterior of the CYCLOPS Silencer -Mounting Muzzle Brake, the 45° shoulder and toothed gear behind the threads,





## SILENCER MODEL CYCLOPS

P.5

and the two silencer alignment surfaces to verify they are clean and undamaged. See Figure 1.

4. Inspect the threads in the rear of the CYCLOPS silencer to verify they are clean and undamaged. See Figure 2.

5. Look through the silencer from the rear to ensure the bullet path through the silencer is unobstructed.

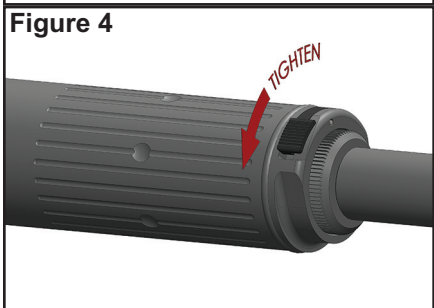
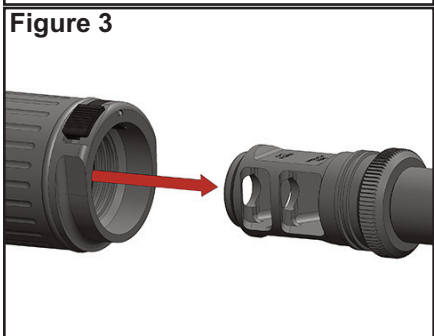
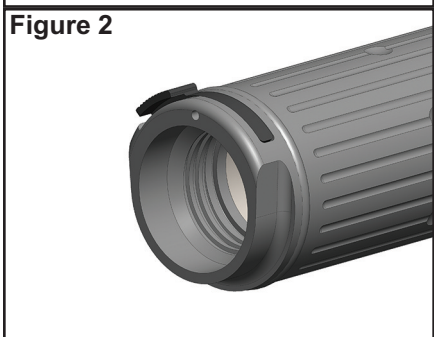
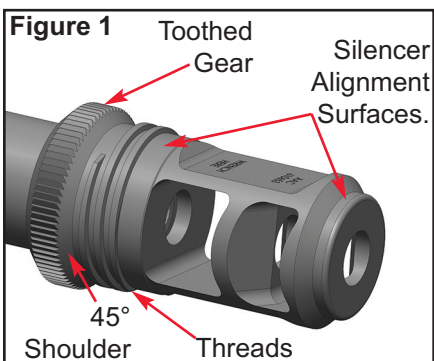
6. Examine the silencer for any signs of damage.

7. Slide the CYCLOPS over the muzzle brake. See Figure 3.

8. Carefully screw the silencer onto the Silencer-Mounting Muzzle Brake threads in the direction indicated in Figure 4. As the silencer is tightened, the teeth on the spring tensioned ratchet latch will engage mating teeth on the Silencer-Mounting Muzzle Brake. This engagement can be both heard and felt.

9. Tighten the silencer fully onto the muzzle brake so that the 45° shoulder on the Silencer - Mounting Muzzle Brake engages the mating angled surface in the rear of CYCLOPS silencer. See Figure 5.

**WARNING! It is the responsibility of the user to ensure the silencer stays securely threaded to the**



## SILENCER MODEL CYCLOPS

P.6

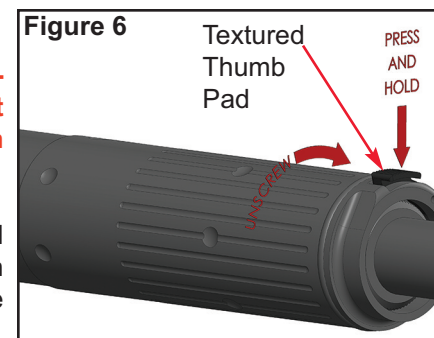
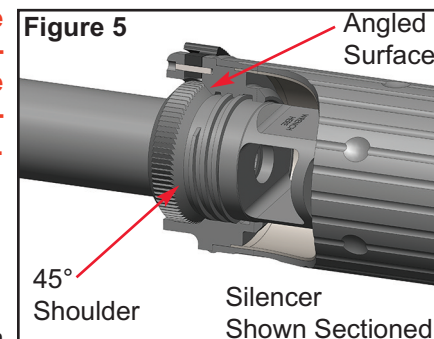
**muzzle brake during use. Failure to ensure the silencer stays securely threaded to the muzzle brake may lead to property damage, personal injury and/or death.**

### REMOVING YOUR CYCLOPS FROM A HOST FIREARM

1. Always keep the host firearm pointed in a safe direction.
2. Render the firearm safe by removing the magazine, completely unloading the firearm and engaging the safety mechanism to the "SAFE" position. See the firearm's owner's manual for detailed instructions.
3. Verify the silencer is at ambient temperature. If the silencer is hot, allow it to cool.

**CAUTION! Never handle a hot silencer without heat-resistant gloves, as this may lead to skin burns and/or personal injury.**

4. Depress and hold the textured thumb-pad on the ratchet latch and unscrew the silencer in the direction indicated in Figure 6.



### CLEANING YOUR CYCLOPS

**WARNING! Only perform cleaning and maintenance procedures on silencers that are not mounted to a firearm. Attempting to clean or perform maintenance on a mounted silencer could lead to property damage, personal injury and/or death.**

**WARNING! Always wear protective gear, such as eye protection and solvent-resistant gloves when working with any solvent. Only use solvents in a well-ventilated area away from open flames. Unsafe use of solvents may lead to property damage, personal injury and/or death.**



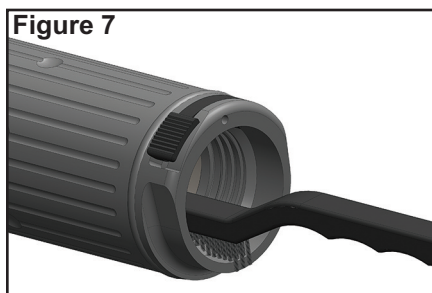


## SILENCER MODEL CYCLOPS

P.7

1. Clean your CYCLOPS by immersing it completely in copper remover or a suitable solvent such as paint thinner or acetone. Allow the silencer to soak in solvent in a sealed container for 24 hours for best results.
2. Drain solvent from the silencer by first standing it muzzle-end-up, then muzzle-end-down.

3. Use a stiff bristle brush to scrub and clean the threaded socket in the rear of the silencer. See Figure 7.



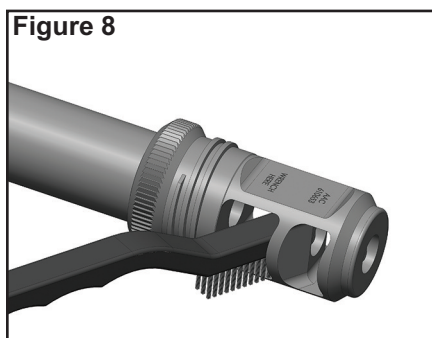
4. Flush the threaded socket in the rear of the silencer with solvent to rinse away any debris loosened by the brush. **Allow all traces of solvent to evaporate before using the silencer.**

5. Wipe the exterior of the CYCLOPS with a cloth moistened with Rem® Oil or Rem® Oil Pro<sup>3</sup>™ to prevent corrosion.

### CLEANING YOUR CYCLOPS SILENCER-MOUNTING MUZZLE BRAKE

1. Always keep the firearm pointed in a safe direction.
2. Render the firearm safe by removing the magazine, completely unloading the firearm and engaging the safety mechanism to the "SAFE" position. See the firearm's owner's manual for detailed instructions.

3. Clean accumulated fouling, copper, and carbon deposits from all surfaces of the muzzle brake using a brush and Remington® BriteBore®. See Figure 8. Stubborn deposits may be removed using a piece of ScotchBrite moistened with Remington® BriteBore®.



## SILENCER MODEL CYCLOPS

P.8

