



SIG SAUER

JULIET3-MICRO™

JULIET3-MICRO 3x22mm
COMPACT MAGNIFIER

OWNER'S MANUAL

Please visit sigsauer.com for Owners Manual downloads.

INTRODUCTION

The SIG SAUER® JULIET3-MICRO Magnifier provides red dot and holographic sight users extended range capabilities in an ultra-compact package. When mounted behind a Sig Sauer ROMEO Red Dot sight the flip-to-side JULIET3-MICRO Magnifier allows users to quickly change from close to long distance engagements. The JULIET3-MICRO is covered by the SIG SAUER Electro-Optics Infinite Guarantee.

CONTENTS:

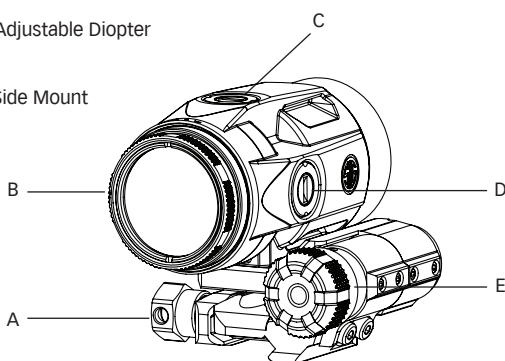
- JULIET3-MICRO 3 x 22 mm Compact Magnifier
- 1.41" Absolute Co-Witness Push-Button, Flip-to-Side Mount (installed)
- 1.54" Sight Height Spacer kit
- 1.63" Lower 1/3rd Co-Witness Spacer Kit
- Hex Tool
- Bikini Lens Cover
- Lens Cloth

KEY FEATURES:

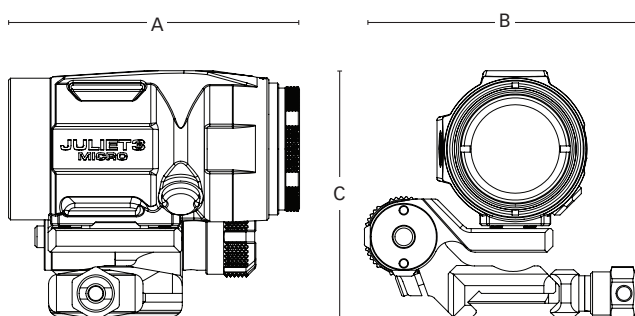
- High Performance Lens Coatings including Dielectric Coated Prism for Excellent Clarity and Contrast
- Push-Button, Flip-to-Side Mount with durable industry standard 1/2" hex keeper
- Ultra-compact size and weight
- IPX7 Waterproofing
- Bikini Lens Cover, and spacers to achieve (3) sight heights: absolute co-witness 1.41", 1.54" and lower 1/3rd co-witness 1.63" sight heights.
- SIG SAUER® Electro-Optics Infinite Guarantee™

PRODUCT IDENTIFICATION

- A – 1/2" Hex Keeper
- B – Ocular Housing with Adjustable Diopter
- C – Elevation Adjustment
- D – Windage Adjustment
- E – Push-Button, Flip-to-Side Mount



JULIET3-MICRO SPECIFICATIONS	
Magnification	3x
Objective Lens Diameter	22 mm
Field of View	7.0°
Eye Relief	64 mm
Diopter Range	± 2
Waterproof	IPX7



⚠ WARNING

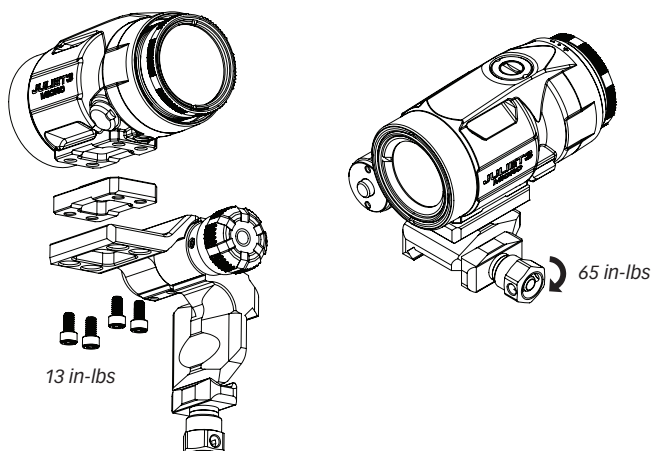
Before working on any firearm ensure the weapon is free of all ammunition and the safety is engaged.

OPERATION

Installation

Step 1 - Sight Height

Your JULIET3-MICRO comes configured for 1.41" absolute co-witness, but also includes spacer kits for 1.535" and 1.63" lower 1/3rd co-witness. Determine the sight height of your red dot and adjust your JULIET3-MICRO sight height accordingly by using the spacer kits provided. The 4 mounting screws should be torqued to 13 in-lbs.



Step 2 - Install on Rail

Locate your JULIET3-MICRO behind your red dot under the following considerations:

- 1) Charging handle should be accessible
- 2) Eye relief is optimal when firearm is shouldered
- 3) Magnifier does not interfere with red dot or other accessories while using flip-to-side feature

Once the correct rail position is determined for the JULIET3-MICRO you may need to move the red dot.

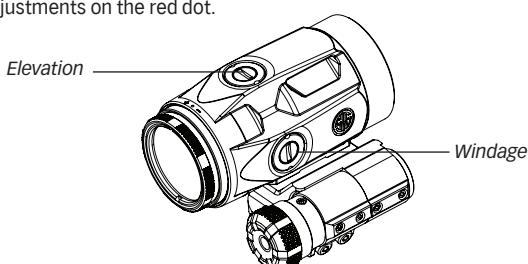
Once both positions of the JULIET3-MICRO and your red dot are determined, torque the JULIET3-MICRO 1/2" Hex Nut to 65 in-lbs. If your red dot was moved during this process, re-install per manufacturer's specifications.

Step 3 - Center Elevation & Windage

Ensure that your red dot is zeroed.

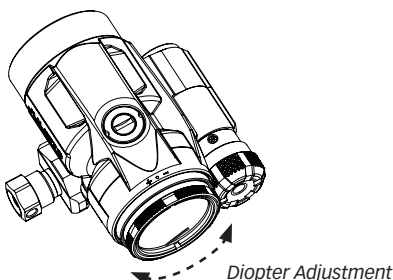
Using the JULIET3-MICRO elevation and windage adjustments, rotate one at a time until the red dot is centered in the field of view.

Note: The JULIET3-MICRO adjustments will not affect zero. You will need to make those adjustments on the red dot.



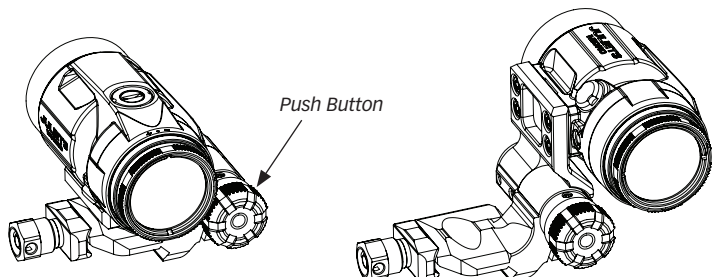
Step 4 - Set Diopter

JULIET3-MICRO comes with an adjustable diopter. To adjust diopter, rotate the eyepiece until the red dot feature is crisp and clear.



Step 5 - Flip-to-Side Mount

JULIET3-MICRO magnifier comes installed to a push-button, flip-to-side mount. Simply depress the button to go from engaged to disengaged.



TROUBLESHOOTING

Magnifier comes loose	Verify 1/2" Hex Nut is torqued to 65 in-lbs
	Verify (4) Mounting screws torqued to 13 in-lbs
POA/POI Shift	Verify red dot is zeroed
Dot or Reticle is blurry	Adjust diopter until crisp and clear
Seeing "scope shadow"	Turn JULIET3-MICRO elevation and windage adjustments until dot is centered in field of view
	Ensure JULIET3-MICRO is configured to match red dot sight heights of 1.41", 1.535" or 1.63".
Charging handle is inaccessible	Move JULIET3-MICRO forward on rail until charging handle is accessible
Lens is cloudy or dirty	Clean both lenses with provided lens cloth

WARNING: CANCER AND REPRODUCTIVE HARM
- www.P65Warnings.ca.gov

FC CE



SIG SAUER® Electro-Optics Infinite Guarantee® / Limited Lifetime Warranty

SIG SAUER has manufactured the most rugged, dependable, high-performance firearms for more than two centuries. Our heritage of design, engineering, and precision-manufactured quality predates the existence of any other optics company worldwide. We understand the importance of quality in the line of fire, at the shooting range or on your next hunt. SIG SAUER Electro-Optics had to earn the right to wear that badge and the Infinite Guarantee has your back, forever. Period.

We will repair or replace your SIG SAUER product in the event it becomes damaged or defective, at no charge to you. If we cannot repair your product, we will replace it with a product in perfect working order of equal or better physical condition.

SIG SAUER Infinite Guarantee®

- Unlimited Lifetime Guarantee
- Fully Transferable
- No Warranty Card Required
- No Receipt Required
- No Time Limit Applies
- No Charge

Please note that our Infinite Guarantee excludes coverage for intentional damage, misuse, cosmetic damage that does not affect the performance of the optic, loss, theft, or unauthorized repair or modification. Excludes electronic and Tritium components.

Customers seeking warranty coverage must first obtain a Return Merchandise Authorization (RMA) by contacting SIG SAUER Customer Service, and return the product unloaded and freight prepaid.

ANY WARRANTIES IMPLIED BY LAW, INCLUDING ANY IMPLIED WARRANTIES OF MERCHANTABILITY OR FITNESS FOR A PARTICULAR PURPOSE, ARE EXPRESSLY DISCLAIMED. REPAIR, ALTERATION, OR REPLACEMENT AS PROVIDED HEREIN IS YOUR EXCLUSIVE REMEDY FOR ANY DEFECTIVE PRODUCT. IN NO EVENT SHALL SIG SAUER OR ANY COMPANY AFFILIATED WITH SIG SAUER BE LIABLE FOR ANY SPECIAL, INCIDENTAL, OR CONSEQUENTIAL DAMAGES OF ANY KIND ARISING OUT OF THE PURCHASE OR USE OF THIS PRODUCT, WHETHER BASED UPON CONTRACT, TORT, STATUTE, OR OTHERWISE. Some states do not allow the exclusion or limitation of implied warranties, or the exclusion or limitation of incidental or consequential damages, so some or all of the above limitations or exclusions may not apply to you. This warranty gives you specific legal rights, and you may also have other rights which vary from State to State.

THIS WARRANTY APPLIES TO COMMERCIAL CUSTOMERS ONLY, AND DOES NOT APPLY TO GOVERNMENT, MILITARY, LAW ENFORCEMENT, OR NON-US CUSTOMERS. NON-US COMMERCIAL CUSTOMERS MUST PURCHASE PRODUCT THROUGH AN AUTHORIZED SIG SAUER DEALER WITHIN THEIR COUNTRY OF RESIDENCE FOR THIS WARRANTY TO APPLY.

FOR PRODUCT SERVICE ON THIS MODEL, PLEASE CALL 603-610-3000

27100 SW Parkway Ave, Wilsonville, OR 97070 USA

SIG SAUER

P/N 7402719-01 R02

sigsauer.com