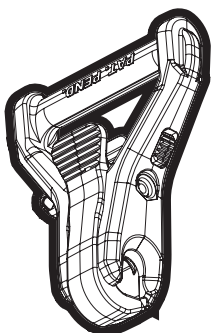




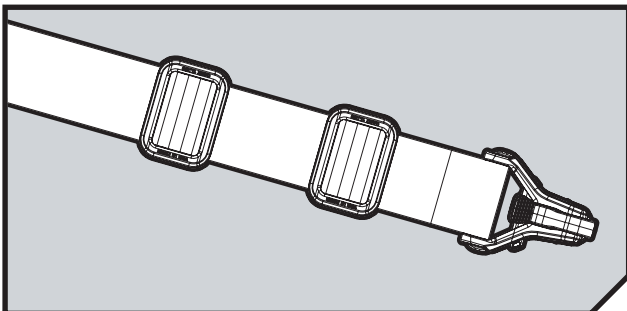
Paraclip™



MS1
SYSTEM

- ⚠ **WARNING:** BEFORE STARTING, MAKE SURE THE WEAPON IS UNLOADED, THE CHAMBER IS EMPTY, AND THE SAFETY ENGAGED.
- ⚠ **CAUTION:** PLEASE READ ALL INSTRUCTIONS BEFORE PROCEEDING. COMPONENTS UNDER SPRING PRESSURE MAY EJECT FORCEFULLY AND COULD CAUSE INJURY.
- ⚠ **WARNING:** OBSERVE SAFE FIREARM HANDLING PRACTICES AT ALL TIMES. FAILURE TO DO SO MAY RESULT IN SERIOUS BODILY INJURY OR DEATH. MAGPUL INDUSTRIES SHALL NOT BE RESPONSIBLE FOR INJURY, DEATH OR PROPERTY DAMAGE RESULTING FROM FAULTY INSTALLATION, MISUSE, ILLEGAL USE, OR MODIFICATION OF THIS PRODUCT.

INSTALLATION INSTRUCTIONS



ASSEMBLY INSTRUCTIONS

To connect the *Paraclip* to the sling, run the end of the *MS1* through the *Paraclip* and then back through the *Fit Buckle(s)*. Double the *webbing* back through the upper *Fit Buckle* if possible.