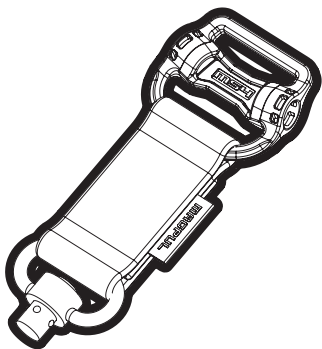




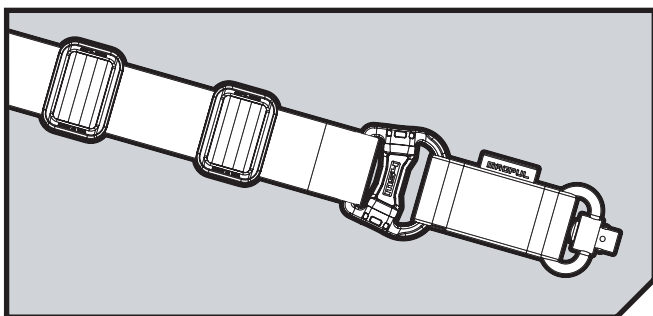
MS1™ MS4™ Adapter



MS1
SYSTEM

- ⚠ WARNING: BEFORE STARTING, MAKE SURE THE WEAPON IS UNLOADED, THE CHAMBER IS EMPTY, AND THE SAFETY ENGAGED.**
- ⚠ CAUTION: PLEASE READ ALL INSTRUCTIONS BEFORE PROCEEDING. COMPONENTS UNDER SPRING PRESSURE MAY EJECT FORCEFULLY AND COULD CAUSE INJURY.**
- ⚠ WARNING: OBSERVE SAFE FIREARM HANDLING PRACTICES AT ALL TIMES. FAILURE TO DO SO MAY RESULT IN SERIOUS BODILY INJURY OR DEATH. MAGPUL INDUSTRIES SHALL NOT BE RESPONSIBLE FOR INJURY, DEATH OR PROPERTY DAMAGE RESULTING FROM FAULTY INSTALLATION, MISUSE, ILLEGAL USE, OR MODIFICATION OF THIS PRODUCT.**

MS1™ MS4™ ADAPTER INSTALLATION



MS4 ASSEMBLY INSTRUCTIONS

To connect the adapter to the sling, run the tail end (the end of the sling with two *Fit Buckles*) of the *MS1* through the *D-Ring* on the *MS1 MS4 Adapter* and then back through the *Fit Buckles*. Double the webbing back through the upper *Fit Buckle* if possible.

In order to be used as a 2-1 Point convertible sling, a QD Swivel (MAG540 – Purchased separately) must be used for the forward end of the sling.