



Savage® Arms

The Definition of Accuracy

Safe ownership is your responsibility. Please thoroughly read and understand this manual before loading your firearm.

Keep firearms and ammunition away from children. Lock unloaded firearms and ammunition securely in separate locations.

Savage Arms recommends the use of good quality high velocity factory manufactured ammunition.

INSTRUCTION MANUAL

LEVER ACTION RIMFIRE:

FAVORITE .22 L.R.

FAVORITE .22 W.M.R.

FAVORITE .17 H.M.R.

IMPORTANT! DO NOT ATTEMPT TO LOAD AND SHOOT YOUR RIFLE UNTIL YOU HAVE THOROUGHLY READ THIS INSTRUCTION MANUAL AND ARE FULLY FAMILIAR WITH ITS CONTENTS

www.savagearms.com



WARNING

Children are attracted to and can operate firearms that can cause severe injury or death. Prevent child access by always keeping guns locked away and unloaded when not in use. If you keep a loaded firearm where a child obtains and improperly uses it, you may be fined or sent to prison.



ADVERTENCIA

A los niños los atraen las armas de fuego y las pueden hacer funcionar. Ellos pueden causarse lesiones graves y la muerte. Evite que los niños tengan acceso a las armas de fuego guardándolas siempre con llave y descargadas cuando no las esté utilizando. Si usted tiene un arma de fuego cargada en un lugar en que un niño tiene acceso a ella y la usa indebidamente, le pueden dar una multa o enviarlo a la cárcel.



Savage® Arms
The Definition of Accuracy

100 Springdale Road
Westfield, Massachusetts
USA 01085

248 Water Street
P.O. Box 1240
Lakefield, Ontario
CANADA K0L 2H0

758070 (06/02)

www.savagearms.com

Congratulations on joining the Savage Arms family of sporting firearms owners. With reasonable care, your firearm should deliver years of reliable service and perform to our "legend of accuracy".

For your convenience, this INSTRUCTION MANUAL has been divided into 5 sections:

SECTION 1: 10 Commandments of Shooting Safety

SECTION 2: Basic Functions

SECTION 3: Rings And Bases For Mounting A Scope

SECTION 4: Statement Of Limited Warranty

SECTION 5: FAVORITEModel 30 Series (Parts List and Diagram)

SECTION 1

10 COMMANDMENTS OF SHOOTING SAFETY

(The following excerpts are from SAAMI bulletin #081 1MM 7/97 BP. The entire booklet can be obtained by calling: NATIONALSHOOTING SPORTS FOUNDATION, 11 MILE HILL ROAD, NEWINGTON, CT 06470; 203-426-4358)

Firearms Safety Depends On You

From the time you pick up a firearm, you become part of a system over which you have complete control. You are the only part of the system that can make a gun safe – or unsafe.

but cannot possibly serve as a substitute for common sense.

Never touch the trigger on a firearm until you actually intend to shoot.

Your firearm is a precision instrument. Regardless of the position of the safety, any bump strong enough to actuate the firing mechanism of a gun can cause it to fire. The only time you can be absolutely certain that a gun cannot fire is when the action is open and it is completely empty. You and the safe gun handling procedures you have learned are your gun's primary safeties.

4. BE SURE OF YOUR TARGET AND WHAT'S BEYOND IT

No one can call a bullet back. Don't shoot unless you know exactly what your bullet is going to strike. Be sure that your bullet will not injure anyone or anything beyond your target. You should keep in mind how far a bullet will travel if it misses your intended target or ricochets in another direction.

Be aware that even a .22 short bullet can travel over 1¼ miles and a high velocity cartridge, such as a 30-06, can project a bullet more than 3 miles. Shotgun pellets can travel 500 yards, and shotgun slugs have a range of over a half-mile.

You can help meet this responsibility by enrolling in hunter safety or shooter safety courses, if you have not already done so. You must constantly stress safety when handling firearms, especially to children and non-shooters. Develop safe shooting habits and remember firearms safety is up to you. Make no mistake about it.

ALCOHOL, DRUGS AND GUNS DON'T MIX

1. ALWAYS KEEP THE MUZZLE POINTED IN A SAFE DIRECTION

This is the most basic safety rule. If everyone handled a firearm so carefully that the muzzle never pointed at something they didn't intend to shoot, there would be virtually no firearm accidents. It's as simple as that, and it's up to you.

Never point your gun at anything you do not intend to shoot. A safe direction means a direction in which a bullet cannot possibly strike anyone, taking into account possible ricochets and the fact that bullets can penetrate walls and ceilings. Even when "dry firing" with an unloaded gun, you should never point the gun at an unintended target.

This is your responsibility, and only you can control it.

5. USE CORRECT AMMUNITION

You must assume the serious responsibility of using only the correct ammunition for your firearm. Read and heed all warnings, including those that appear in the gun's instruction manual and on the ammunition boxes. Using improper or incorrect ammunition can destroy a gun and cause serious personal injury. It only takes one cartridge of improper caliber or gauge to wreck your gun, and only a second to check each one as you load it. Be absolutely certain that the ammunition you are using matches the specifications that are contained within the gun's instruction manual and the manufacturer's markings on the firearm barrel.

Hand loaded or reloaded ammunition deviating from pressures generated by factory loads or from competent recommendations specified in reputable hand loading manuals can be dangerous, and can cause severe damage to guns and serious injury to the shooter.

Ammunition that has become very wet or has been submerged in water should be discarded in a safe manner. Do not spray oil or solvents on ammunition or place ammunition in excessively lubricated firearms.

Form the habit of examining every cartridge you put in your gun. Never use damaged, old or questionable ammunition – the money you save is not worth the risk of possible injury or a ruined gun.

2. FIREARMS SHOULD BE UNLOADED WHEN NOT ACTUALLY IN USE

Firearms should be loaded only when you are in the field or on the target range or shooting area, ready to shoot. When not in use, firearms and ammunition should be secured in a safe place, separate from each other. It is your responsibility to prevent children and inexperienced adults from gaining access to firearms or ammunition. A loaded gun has no place in or near a vehicle or building.

Whenever you handle a firearm or hand it to someone, always open the action immediately, and visually check the chamber, receiver and magazine to be certain they do not contain any ammunition. Never assume a gun is unloaded – check for yourself! While in the field, there will be times when common sense and the basic rules of firearms safety will require you to unload your gun for maximum safety. When in doubt, unload your gun!

3. DON'T RELY ON YOUR GUN'S "SAFETY"

Treat every gun as though it can fire at any time, regardless of pressure on the trigger. The "safety" on any gun is a mechanical device, which, like any such device, can become inoperable at the worst possible time. The safety serves as a supplement to proper gun handling

WARNING

DISCHARGING FIREARMS IN POORLY VENTILATED AREAS, CLEANING FIREARMS OR HANDLING AMMUNITION MAY RESULT IN EXPOSURE TO LEAD AND OTHER SUBSTANCES KNOWN TO CAUSE BIRTH DEFECTS, REPRODUCTIVE HARM AND OTHER SERIOUS PHYSICAL INJURY. HAVE ADEQUATE VENTILATION AT ALL TIMES. WASH HANDS THOROUGHLY AFTER EXPOSURE.

6. IF YOUR GUN FAILS TO FIRE WHEN THE TRIGGER IS PULLED, HANDLE WITH CARE!

Occasionally, a gun may not fire when the trigger is pulled. If this occurs, keep the muzzle pointed in a safe direction. Keep your face away from the breech. Then, carefully open the action, unload the firearm and dispose of the cartridge in a safe way.

Any time there is a cartridge in the chamber, your gun is loaded and ready to fire – even if you've tried to shoot and it did not go off. It could go off at any time, so you must always remember **RULE #1** and **WATCH THAT MUZZLE!**

7. ALWAYS WEAR EYE AND EAR PROTECTION WHEN SHOOTING

All shooters should wear protective shooting glasses and some form of hearing protectors while shooting. Exposure to shooting noise can damage hearing, and adequate vision protection is essential. Wearing eye protection when disassembling and cleaning any gun will also help prevent the possibility of springs, spring tensioned parts, solvents or other agents from contacting your eyes. No target shooter, plinker or hunter should ever be without them.

8. BE SURE THE BARREL IS CLEAR OF OBSTRUCTIONS BEFORE SHOOTING

Before you load your firearm, open the action and be certain that there is no cartridge in the chamber. Then glance through the barrel to be sure it is clear of any obstruction. Even a small piece of mud, snow, excess lubricating oil or grease in the bore can cause dangerously increased pressure, causing the barrel to bulge or even burst when firing, which can cause injury to the shooter and/or bystanders. Make it a habit to clean the bore with a cleaning rod and patch to wipe away anti-rust compounds in the gun each time immediately before you shoot it. If the noise or recoil on firing seems weak or doesn't seem quite "right", cease firing immediately and be sure to check that no obstruction or projectile has become lodged in the barrel.

SAFETY

1. To put in the SAFE POSITION, open and close the lever so that the hammer is in the forward position resting against the breech block. See FIGURE 1.



FIGURE 1

CAUTION

THE GUN SHOULD BE CARRIED AT ALL TIMES WITH THE HAMMER IN THE SAFE POSITION.

THE ONLY TIME YOU CAN BE ABSOLUTELY CERTAIN THAT A GUN CANNOT FIRE IS WHEN THE ACTION IS OPEN AND IT IS COMPLETELY EMPTY OF AMMUNITION.

9. DON'T ALTER OR MODIFY YOUR GUN, AND HAVE GUNS SERVICED REGULARLY

Firearms are complicated mechanisms, which are designed by experts to function properly in their original condition. Any alteration or change made to a firearm after manufacture can make the gun dangerous and will usually void any factory warranties. Do not jeopardize your safety or the safety of others by altering the trigger, safety or other mechanism of any firearm or allowing unqualified persons to repair or modify a gun.

Your gun is a mechanical device, which will not last forever and is subject to wear. As such, it requires periodic inspection, adjustment and service.

10. LEARN THE MECHANISM AND HANDLING CHARACTERISTICS OF THE FIREARM YOU ARE USING

Not all firearms are the same. Consequently, never handle any firearm without first having thoroughly familiarized yourself with the particular type of firearm you are using, the safe gun handling rules for loading, unloading, carrying and handling that firearm, and the rules of safe gun handling in general. Locate the firearm's mechanical safety device and get familiar with the feel and "on/off" positions.

LOADING

FIREARMS SHOULD BE LOADED ONLY WHEN YOU ARE IN THE FIELD, ON THE TARGET RANGE, OR AT A SHOOTING AREA READY TO SHOOT.

ALWAYS KEEP THE MUZZLE POINTED IN A SAFE DIRECTION.

USE ONLY THE CORRECT AMMUNITION THAT IS STAMPED ON THE SIDE OF THE BARREL.

LOOK THROUGH AND THOROUGHLY CLEAN THE INSIDE OF THE BARREL AND CHAMBER TO ASSURE THERE ARE NO POSSIBLE OBSTRUCTIONS PRIOR TO LOADING.

SAVAGE ARMS, (CANADA) INC. DISCLAIMS ANY RESPONSIBILITY FOR DAMAGE OR INJURY WHICH RESULTS FROM THE USE OF OTHER THAN FACTORY MANUFACTURED AMMUNITION.

1. With the muzzle of the firearm pointed in a safe direction, pull the lever down all the way to open the action. See FIGURE 2. Opening the lever fully will leave the firearm in a "safe" position.

You should always read and refer to the instruction manual you received with your gun, or if you have misplaced the manual, simply contact the manufacturer for a free copy.

Having a gun in your possession is a full-time job. You cannot guess; you cannot forget. You must know how to use, handle and store your firearm safely. Do not use any firearm without having a complete understanding of its particular characteristics and safe use. There is no such thing as a foolproof gun.

SECTION 2

BASIC FUNCTIONS

PRIOR TO LOADING OR OPERATING, FAMILIARIZE YOURSELF THOROUGHLY WITH THESE OPERATING INSTRUCTIONS AND THE MAIN PARTS OF YOUR FIREARM.

FAILURE TO OBEY A SAFETY WARNING MAY RESULT IN INJURY TO YOU AND/OR OTHERS.

SAVAGE ARMS, (CANADA) INC. DISCLAIMS ANY RESPONSIBILITY FOR DAMAGE OR INJURY WHICH RESULTS FROM ANY MODIFICATIONS OR CHANGES THAT ARE NOT A PART OF THE FIREARM AS DELIVERED FROM THE FACTORY.

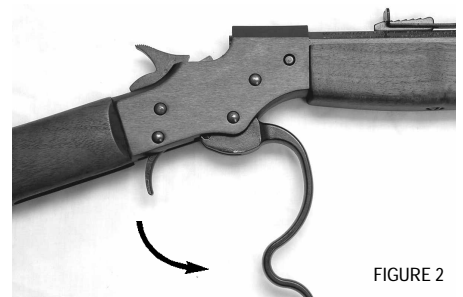


FIGURE 2

2. Insert a cartridge into the chamber stopping on the extractor. See FIGURE 3.



FIGURE 3

3. Close the lever to move the extractor and cartridge into chamber.

ALWAYS KEEP THE MUZZLE POINTED IN A SAFE DIRECTION.

CAUTION

DO NOT FORCE RIM OF CARTRIDGE AHEAD OF EXTRACTOR OR ACCIDENTAL DISCHARGE WILL OCCUR BEFORE BREECH IS CLOSED.

TO FIRE

DO NOT COCK HAMMER UNTIL READY TO FIRE.

1. Keep your finger off the trigger and out of the trigger guard until you are ready to shoot.

THE ONLY TIME YOU CAN BE ABSOLUTELY CERTAIN THAT A GUN CANNOT FIRE IS WHEN THE ACTION IS OPEN AND IT IS COMPLETELY EMPTY OF AMMUNITION.

2. Always look carefully around to be sure that no one will cross in front of you when you are ready to shoot.

3. With firm thumb pressure on the hammer spur, draw the hammer fully rearward to the cocked position.

- The gun will fire when the trigger is pulled.
- A notch in the hammer will stop the hammer from striking the firing pin if it is unintentionally released before reaching the fully cocked position.

1. Prepare an area for cleaning the firearm with a suitable surface, adequate ventilation, and the correct caliber cleaning rod, brush, patches, powder solvent, and oil.

2. With the muzzle pointed in a safe direction, open the lever fully and remove the cartridge from breech (if there is one).

3. Look and feel to make sure the chamber is empty.

ALWAYS STARTING FROM THE CHAMBER END, PUSH THE CLEANING ROD THROUGH THE BORE AND OUT THE MUZZLE END.

4. Using a small amount of powder solvent on the brush, push the cleaning rod through the barrel several times.

5. Unscrew the brush from the cleaning rod and replace it with a patch tip.

6. Push a new patch through the bore starting from the chamber end and out the muzzle.

7. Repeat step 6 several times.

8. Push a new patch lightly saturated with gun oil through the bore.

9. Push a new dry patch through the bore to remove the excess oil.

A VERY THIN FILM OF OIL IS SUFFICIENT PROTECTION – DO NOT OVER OIL!!!

NEVER TOUCH THE TRIGGER ON A FIREARM UNTIL YOU ACTUALLY INTEND TO SHOOT.

NEVER POINT YOUR GUN AT ANYTHING YOU DO NOT INTEND TO SHOOT.

4. Place the firearm in shooting position, take aim, and place your finger lightly on the trigger.

5. When on target pull the trigger fully to the rear.

NO ONE CAN CALL A BULLET BACK !!!

6. To extract a fired shell, open the lever and the fired shell will be extracted allowing easy removal with your fingers.

ALWAYS KEEP THE MUZZLE POINTED IN A SAFE DIRECTION.

7. If you do not fire the gun, opening the lever fully will drop the hammer into a safe position without the gun firing.

- The action can now be closed safely.

ALWAYS LEAVE THE HAMMER IN THE SAFE POSITION EXCEPT WHEN FIRING.

UNLOADING

1. With the muzzle pointed in a safe direction, open the lever fully and remove the cartridge from the chamber.

- Look and feel to make sure the chamber is unloaded and close the action.

YOUR GUN IS A MECHANICAL DEVICE THAT WILL NOT LAST FOREVER AND IS SUBJECT TO WEAR. CONTACT SAVAGE ARMS SERVICE DEPARTMENT FOR PERIODIC INSPECTION, ADJUSTMENT AND SERVICE.

PROTECTING METAL SURFACES

1. With a soft cloth, remove any foreign matter (i.e. mud, twigs, grass).
2. Apply a thin coat of gun oil on all cleaned metal surfaces. Rubbing may be necessary to remove any signs of rust.
3. Where accessible, clean and lightly oil interior metal surfaces.

THIS RIFLE IS FACTORY ASSEMBLED. DO NOT TAKE ACTION APART.

A LOADED GUN HAS NO PLACE IN OR NEAR A VEHICLE OR BUILDING.

CAUTION

LOOK AND FEEL! BE SURE THE CHAMBER IS EMPTY — DO NOT ASSUME!

CLEANING AND CARE OF YOUR FIREARM

YOUR GUN IS A MECHANICAL DEVICE THAT WILL NOT LAST FOREVER AND IS SUBJECT TO WEAR.

CLEANING THE BORE

LOOK AND FEEL! BE SURE THE CHAMBER IS COMPLETELY EMPTY — DO NOT ASSUME!!!

NEVER ATTEMPT TO DISASSEMBLE, CLEAN, OR OIL A LOADED FIREARM!

BE SURE TO READ AND UNDERSTAND ALL OF THE CAUTIONS AND WARNINGS ON ALL SOLVENTS AND CHEMICALS PRIOR TO USE. FOLLOW THE MANUFACTURER'S INSTRUCTIONS FOR BEST CLEANING RESULTS.

SECTION 3**RINGS & BASES FOR MOUNTING A SCOPE**

The following Companies manufacturer *RINGS* and *BASES* that fit Savage firearms.

The manufacturers listed below should be contacted for specific part numbers and information.

WEAVER P.O. Box 39 Onalaska, WI 54650 800-635-7656 www.weaveroptics.com	BURRIS 331 East 8 th Street Greeley, CO 80631 970-356-1670 www.burrisoptics.com
KWIK-SITE 5555 Treadwell Wayne, MI 48184 734-326-1500 www.kwiksiteco@aol.com	MILLETT 7275 Murdy Circle Huntington Beach, CA 92647 800-645-5388 www.millettsights.com
B-SQUARE P.O. Box 11281 Fort Worth, TX 76110 800-433-2909 www.b-square.com	LEUPOLD 14400 NW Greenbrier Parkway Beaverton, OR 97006 503-526-5196 www.leupold.com

SECTION 4**STATEMENT OF LIMITED WARRANTY**

Please complete the *WARRANTY REGISTRATION CARD* and return it to Savage Arms, Inc. within ten (10) days from the date of purchase.

Savage Arms, Inc. must be notified within one (1) year from the date of purchase of any defect in materials or workmanship encountered during normal use.

WHO IS COVERED?

The original owner (with proof of purchase).

WHAT IS COVERED?

Any defect in materials or workmanship performed at Savage Arms.

HOW LONG IS THE WARRANTY PERIOD?

One (1) year from the date of purchase.

WHAT IS NOT COVERED?

PERSONAL INJURY, PROPERTY DAMAGE, AND/OR DAMAGE TO THE FIREARM CAUSED BY:

- Negligence to provide proper care and maintenance.

- Best time and method to contact sender.
- Serial number of firearm.
- Description of the problem you are having.
- Bullet weight, bullet type, sabot, powder type and charge you are using.
- Any other information that you feel may be helpful.

3. Return to:

Savage Arms, Inc.
100 Springdale Road
Westfield, MA01085
Attn: Service Department
Phone: 413-568-7001
Fax: 413-568-8386

4. If there will be a charge involved for the repair, a quote will be sent within fourteen (14) working days.

- If there is no response from the quote within (30) days, the firearm will be returned COD (\$20.00 Shipping/Handling).
- Firearms will be repaired typically 4 weeks after receipt of payment in the order they were received.

- Alterations/modifications performed without the expressed authorization of Savage Arms, Inc. Service Department.
- Normal wear; tear; and/or corrosion.
- Accidental discharge, careless handling, and/or misuse.
- Barrel obstructions.

EXCLUSIONS AND LIMITATIONS:

This *WARRANTY* and the remedies set forth herein are exclusive and take the place of all other expressed or implied *WARRANTIES* (including any implied *WARRANTY* of merchantability or fitness for any particular purpose which are disclaimed). No other representations or claims of any nature shall be binding on or obligate Savage Arms, Inc.

Savage Arms, Inc. excludes any incidental and consequential damages under this warranty. Some states do not allow exclusions or limitations on how long an implied warranty lasts, so the above limitations may not apply to you.

This *WARRANTY* gives you specific legal rights. You may have other rights, which will vary, from state to state.

RETURNING A FIREARM:

For *WARRANTY* claims, proof of purchase must accompany the firearm.

It is a violation of Federal Law to ship a firearm with live ammunition either in the box or in the firearm itself. If received, The Bureau of Alcohol, Tobacco, and Firearms must be notified!

Savage Arms, Inc. is not responsible for the loss or damage to any accessories shipped with the firearm.

If there is a question whether the firearm should be returned or parts could be purchased, please call 1-413-568-7001 between 9:00 am and 3:30 p.m. EST and ask for the Service/Warranty Department.

All firearms are to be sent to Savage Arms, Inc. at the owner's expense. Warranty repairs will be returned to the owner at the expense of Savage Arms, Inc.

1. Pack the firearm in its original box if possible (or a similar suitable box), being careful to include any support pieces.
2. Enclose a brief note including:
 - Name, address and phone number of sender.



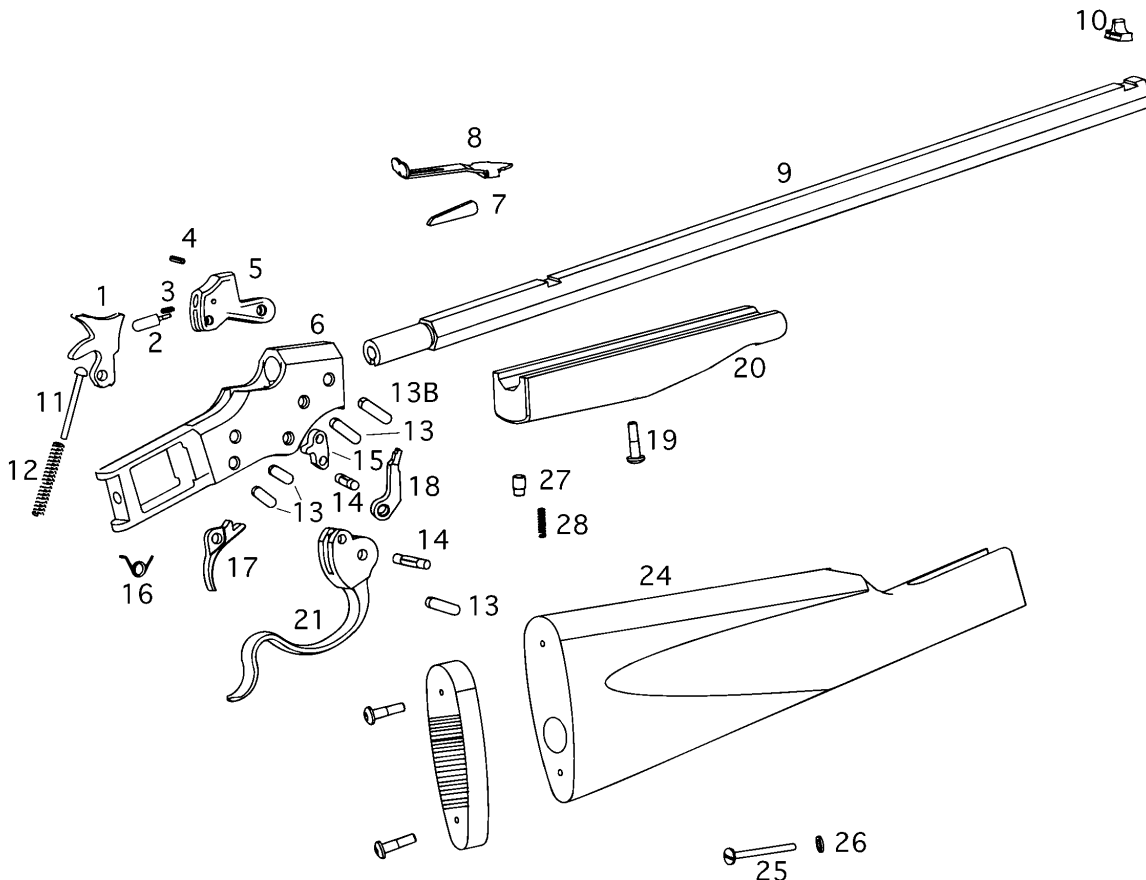
SECTION 5

FAVORITE Model 30

PARTS MAY BE ORDERED DIRECTLY FROM SAVAGE ARMS [PHONE 413-568-7001] BETWEEN THE HOURS OF 9:00 AND 3:30 (EASTERN STANDARD TIME). THERE IS A MINIMUM ORDER AND PLEASE ALLOW 2 WEEKS FOR DELIVERY.

PLEASE BE ADVISED THAT SOME PARTS MAY REQUIRE FITTING. SAVAGE ARMS BEARS NO RESPONSIBILITY FOR THE FUNCTION OR PERFORMANCE OF ANY FIREARM THAT HAS BEEN REPAIRED OR MODIFIED BY OTHER THAN SAVAGE ARMS SERVICE DEPARTMENT. AS SUCH, SAVAGE ARMS ACCEPTS NO RESPONSIBILITY/ LIABILITY FOR ANY DIRECT AND/OR CONSEQUENTIAL DAMAGE AND/OR INJURY RESULTING FROM THE USE OF A FIREARM REPAIRED OR MODIFIED BY OTHER THAN THE SAVAGE ARMS SERVICE DEPARTMENT.

#	Description	Part #			
1	Hammer .22LR	708020	13	Hammer pin (4 req'd)	708040
	Hammer .22WMR/.17HMR	708044	13B	Barrel pin	708042
2	Firing pin	708011	14	Link pin (2 req'd)	708035
3	Firing pin spring	708012	15	Link	708014
4	Firing pin retaining pin	708030	16	Trigger spring	708009
5	Breech block .22LR	708010	17	Trigger	708019
	Breech block .22WMR/.17HMR	708038	18	Extractor	708018
6	Frame	708008	19	Forend screw	708032
7	Universal elevator	104860	20	Forend wood	708007
8	Rear sight	700414		Forend wood camo	708041
9	Barrel .22LR	708006	21	Lever	708015
	Barrel .22WMR (full octagon)	708128	24	Buttstock wood	708023
	Barrel .17HMR (full octagon)	708146		Buttstock wood camo	708051
10	Front sight	700427	25	Stock bolt	708045
11	Mainspring plunger	708022	26	Stock bolt washer	708046
12	Mainspring .22LR	708021	27	Detent plunger	708047
	Mainspring .22WMR/.17HMR	708048	28	Detent plunger spring	708049



FAVORITE Model 30

Not To Scale