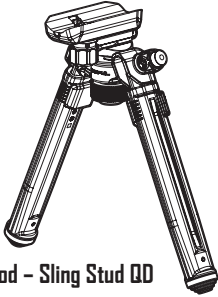




# MAGPUL® BIPOD

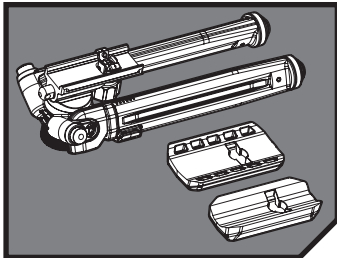


MAG1075 Magpul® Bipod - Sling Stud QD

## INSTALLATION INSTRUCTIONS

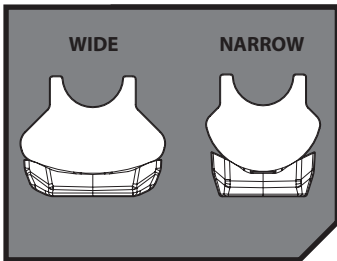
**⚠ WARNING: BEFORE STARTING, MAKE SURE THE WEAPON IS UNLOADED, THE CHAMBER IS EMPTY, AND THE SAFETY ENGAGED.**

### INSTALLATION INSTRUCTIONS - MAGPUL BIPOD - SLING STUD QD



#### STEP 1

Remove the *Packaging Insert* with the *Bipod* from the retail box and remove the *Magpul Bipod - Sling Stud QD* from the *Packaging Insert* along with the two non-marring, high-durometer rubber *Mounting Gaskets* located in the bottom of the *Packaging Insert*.

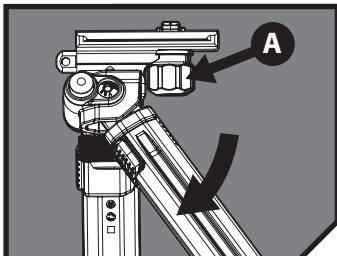


#### STEP 2

Determine which *Mounting Gasket* (Wide or Narrow) best fits the forend of the firearm.

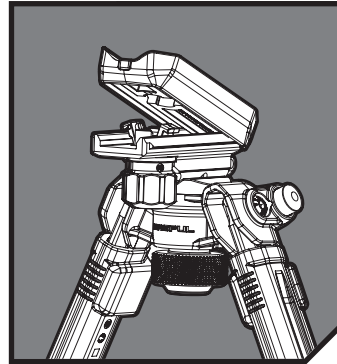
**NOTE:** The wide *Mounting Gasket* is optimized for wider round forends with diameter curvatures larger than 2.50".

The narrow *Mounting Gasket* is ideal for round narrow forends with 1.25" to 2.50" diameter curvatures and flat bottom forends.



#### STEP 3

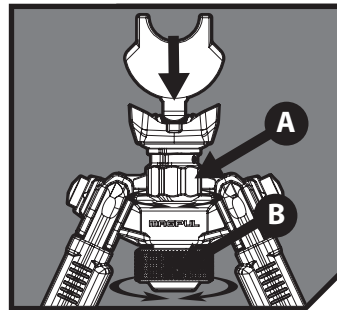
Deploy *Bipod Legs* to allow access to the *Attachment Knob* (A). While holding the *Magpul Bipod - Sling Stud QD*, pull the *Bipod Legs* down until the detent is bypassed and the legs lock into the deployed position at 90 degrees.



#### STEP 4

Press the selected *Mounting Gasket* over the *Mounting Plate* with the opening in the *Mounting Gasket* aligned with the two *Pawls* protruding through the *Mounting Plate* while simultaneously engaging the raised ribs on each side of the *Mounting Plate* with the slots in the bottom of the *Mounting Gasket*. The rubber *Mounting Gasket* should snap firmly into place. Verify that the *Mounting Gasket* is seated properly on the *Mounting Plate* and the *Pawls* can open and close properly by screwing/unscrewing the *Attachment Knob*.

**NOTE:** If necessary, unscrew the *Attachment Knob* to fully open the *Pawls* to fit over the *Sling Stud*.



#### STEP 5

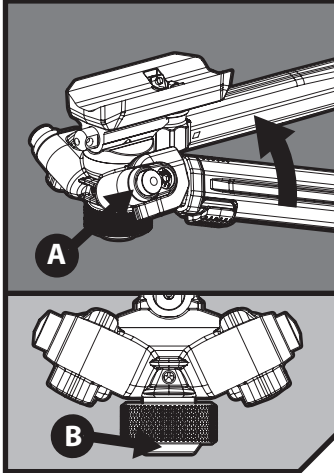
Place the *Bipod* on the forend of the weapon with the *Attachment Knob* facing forward and the round tabs on the face of the *Pawls* aligned with the through hole in the sling stud. While holding the bipod firmly in place, hand tighten the *Attachment Knob* (A) to pull the two *Pawls* together and mate the round tabs with the through hole until they engage. Hand tighten the *Adjustment Knob* (B) to prevent the *Bipod* from rotating on the forend of the weapon under normal operating conditions.

## USAGE INSTRUCTIONS

### STOW

To stow the *Bipod Legs*, press the *Leg Lock Button* (A) and rotate the *Bipod Legs* forward until they are parallel with the *Mounting Plate* and the spring detent positively engages.

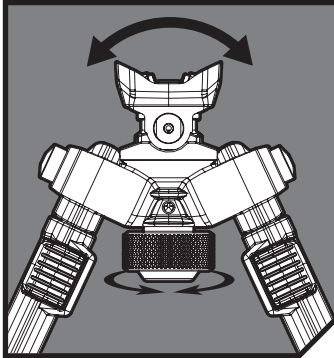
**NOTE:** The *Bipod Locking Knob Cap* (B) is made of a non-marring rubber material and can be used additionally as a shooting aid when a lower supported firing position is desired.



### TILT

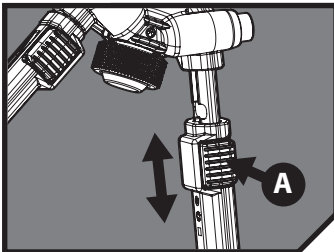
The *Magpul Bipod* features 25° +/- (50° total) of TILT which can be adjusted and locked into position by loosening/tightening the *Bipod Locking Knob*.

**NOTE:** *Bipod Locking Knob* hardware may loosen and will require the end user to re-tighten the Knob until the hardware takes a set.



### BIPOD LEG LENGTH

The *Magpul Bipod Legs* are notched and can extend and/or retract from ≈7"–10" at approximately 1/2" intervals by pressing the *Bipod Leg Release Button* (A) and setting the *Legs* to any of the 7 notched locations. The *Legs* can be set symmetrically or at asymmetric heights to account for variations in terrain and/or shooting positions.

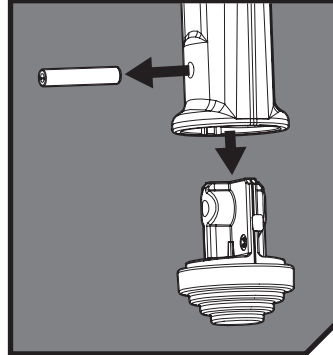


## CUSTOMIZATION INSTRUCTIONS

### BIPOD FEET

The *Magpul Bipod* features removable rubberized feet which provide a stable, non-marking platform and are compatible with Atlas pattern bipod replaceable feet. To remove the *Bipod Feet*, simply drift out the 1/8" Slotted Spring Pin using a 1/8" roll pin punch and install the desired compatible aftermarket bipod feet per their manufacturer's instructions.

**NOTE:** The *Magpul Bipod* is NOT compatible with Atlas 5-H pattern feet.



## MAINTENANCE

### BIPOD LUBRICATION

During regular weapon maintenance cycles, it is recommended that a CLP-type lubricant is added to the *Leg Lock Button* and *Leg Pivot* points, especially in dry and dusty environments, to help mitigate wear.

Lubricate *Pawls* by applying a small amount of CLP-Type lubricant to the pivoting mechanism of the *Pawls*.

