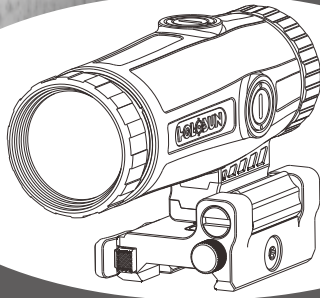


# HM3X Magnifier

## User's Manual

# HOLOSUN



www.holosun.com

Thank you for purchasing this HOLOSUN product. The HM3X is a monocular 3 times magnifier. It can be combined with any HOLOSUN dot sights and is suitable for aiming and observation at a distance of 600M or more. It can also be used as a hand-held monocular. Read the instructions carefully before installing and using the magnifier.

### Warning

Ensure that the weapon has no magazine and an empty chamber before installation, removal, or maintenance of the magnifier.

### Product Structure

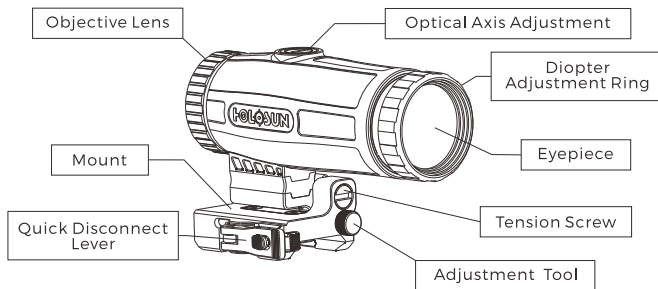


Figure 1 HM3X Magnifier

### Product Characteristics

1. The HM3X is a monocular 3 times magnifier.
2. The HM3X magnifier is nitrogen purged for superior waterproof, fog-proof, and shock-proof characteristics.
3. Precision CNC milled aluminum housing.
4. Quick disconnect mount compatible with Picatinny / STANAG rails.

### Technical parameters

Optical Specifications	Magnification	3x
	Exit Pupil	.299in. (7.6mm)
	Eye Relief	2.75in. (70mm)
	Field of View	37° at 100 Yards
	Diopter	±3Dioptres
	Transmittance	75%
Environmental and Durability Specifications	Lens Material	Optical glass
	Storage Temperature	-40°C-70°C
	Operating Temperature	-30°C-60°C
	Humidity	95%
	Waterproof	IP67(1M Water depth/30min)
	Nitrogen (concentration)	99.99%
Mechanical Specifications	Impact and Shock Resistance	1000G deviation<2MOA
	Housing Material	Aluminum (black micro-arc oxidation)
	Dimensions(mm)	102×43×67(L × W × H)
	Weight oz. (g)	9.5 oz. (280g)
Installation	Suitable for Picatinny/STANAG rails	

### Alignment

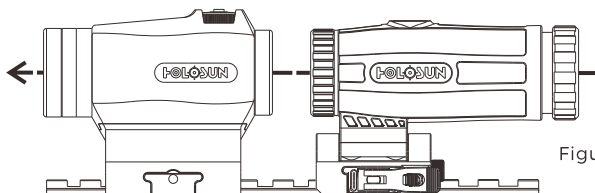


Figure 2

1. Combine the HM3X with a HOLOSUN sight for improved target identification at distance. (as shown in Figure 2)

2. The magnifier can be flipped to the side 90 degrees (as shown in Figure 3).

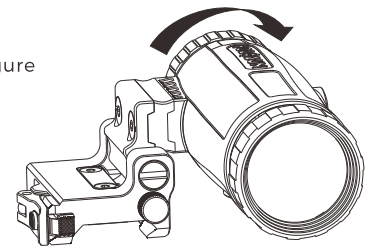


Figure 3

3. Installation and Removal of the Co-witness Spacer

1) Rotate the magnifier 90°, as shown in Figure 3;  
2) Remove the two screws at the bottom, then add or remove the spacer between the mount and the magnifier, as shown in figure 4.

3) Reattach the magnifier by following step 2 in reverse order.

4) Without the spacer, the center height is 1.41" (Abs. CW). With the spacer, the center height is 1.63" (Lower 1/3 CW).

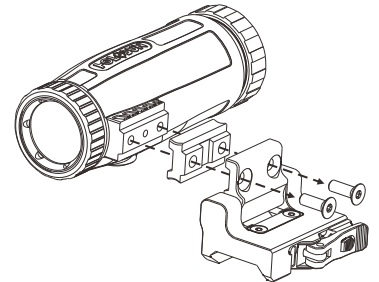


Figure 4

### Installation

1. Installation with the Quick Disconnect Mount

- 1) Press the lever lock forward and release the QD lever as shown in Figure 5.
- 2) Locate a suitable position on the rail behind the dot sight and attach to the rail.
- 3) Apply forward pressure (towards the muzzle) and close the QD lever so that the QD lever engages the QD lever lock.
- 4) Repeat clamping accuracy of HM3X telescope:  $\leq \pm 2\text{MOA}$
- 5) The default configuration of the HM3X is 1.41" (absolute co-witness height). A spacer is included to raise the magnifier to 1.63" (lower 1/3 co-witness height).

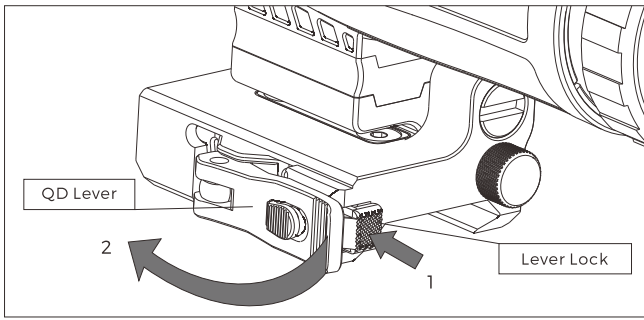


Figure 5

## 2. First Installation

Upon initial installation, the QD crossbolt may be too loose or too tight. Using the included T10 Torx tool, adjust the tension of the QD crossbolt appropriately. In most cases, when tightened sufficiently you should be able to release the QD lever with one finger.

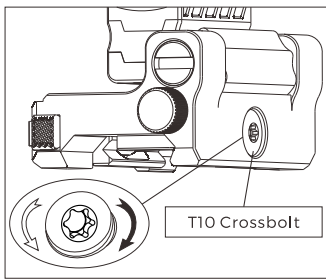


Figure 6

Tip: 1) Avoid forcefully closing the QD lever during the first installation.

2) The T10 crossbolt is provided with an anti-rotation faceplate. Do not rotate the crossbolt without releasing the QD lever.

Tip: Do not forcibly rotate the adjustment screws if you encounter increased resistance or reach the mechanical limit of the adjustment screws.

## 2. Diopter Adjustment

1) The focus of the dot sight can be adjusted using the diopter adjustment ring on the eyepiece. Rotate the diopter adjustment with your thumb and forefinger until a clear aiming dot is reached to improve accuracy and precision.

2) Diopter adjustment range of HM3X magnifier:  $\pm 3$  Dioptres.

## Maintenance & care

This device is a precision instrument that deserves reasonably cautious care. The following tips are provided to ensure a long product life. The optical lenses are multicoated optical glass. When cleaning the lenses, blow away any dust on the surface, wet the lens with lens cleaner or clean water, then wipe away smudges with lens tissue, soft cotton, or a microfiber cloth. Avoid touching the glass surface with a dry cloth or tissue paper. Do not use organic solvents such as alcohol or acetone. No special maintenance is needed for the housing surface. Do not try to dismantle the device as the internal parts are specially cleaned and sealed and with an anti-fog treatment. Any such attempt will void the warranty.

## Alignment

### 1. Reticle Alignment

1) Unscrew to remove the adjustment tool (as shown in Figure 7)

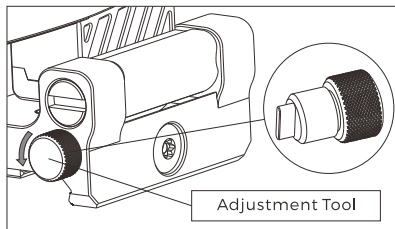


Figure 7

### 2) Adjustment of the Optical Axis

When the HM3X magnifier is combined with a dot sight, the sight should be zeroed and the reticle should be centered in the magnifier.

As shown in Figure 8, the top (elevation) and right (windage) adjustment screws are adjusted using the included tool (Fig 8). Adjust the optical axis of the magnifier so that the optical axis of the dot sight is centered when viewed through the magnifier to achieve optimal field of view.

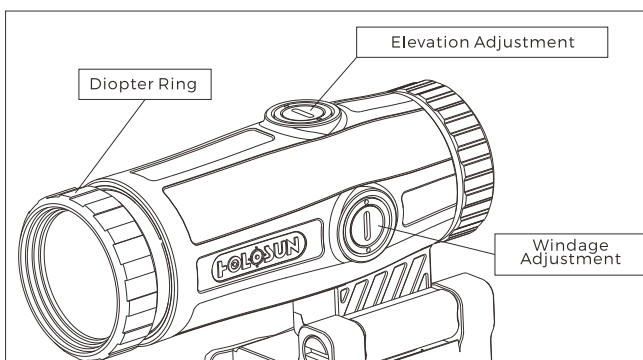


Figure 8

## Limited warranty

We provide a limited lifetime warranty from the date of purchase on parts and workmanship to the original purchaser. At our sole discretion, we will repair or replace products found to be defective under normal use without charge, excluding any delivery costs, which will be born by purchaser. We will not be liable for incidental, consequential, or special damages arising out of or in any connection with the use or performance of this product. This warranty is void if the product has been misused, modified, neglected, or disassembled prior to its return. Please refer to <http://holosun.com> for current and complete warranty information and other conditions.

# HM3X Magnifier

**HOLOSUN**

Holosun Technologies Inc.

**Customer Service**

www.holosun.com

(909) 594-2888

warranty@holosun.com