



OWNER'S MANUAL

PATRIOT™ BOLT ACTION CENTERFIRE RIFLE

IMPORTANT "SAFETY WARNINGS" — NOTE THE SYMBOL 

THESE SAFETY WARNINGS ARE FOR YOUR PROTECTION AS WELL AS THE SAFETY OF OTHERS. DISREGARDING INFORMATION IN THIS MANUAL COULD CAUSE SERIOUS INJURY OR DEATH TO YOU OR THOSE AROUND YOU.



Be certain this owner's manual is available for reference and is kept with this firearm if transferred to another party. If this manual is lost or misplaced, contact the Product Service Center for a free replacement copy or visit www.mossberg.com.



After performing any work on your firearm such as cleaning, adjustments, disassembly or installation of any accessory, the firearm should be rechecked for proper functioning before firing live ammunition.



Firearms are complex mechanisms. Any modification, alteration, or improper fitting of parts may result in a dangerous malfunction, damage to the firearm, and could cause serious injury or death to you or those around you. The firearm's owner must accept full responsibility for the correct reassembly and functioning of the firearm after any disassembly or replacement of parts.



If you do not understand any of the material in this manual or have any questions, contact the Product Service Center or a qualified gunsmith.



Do not attempt to load, handle or use your Mossberg firearm until you read and understand the information contained in this owner's manual. Before handling your firearm, you should learn how it operates and how to maintain it. This includes knowing its basic parts, how the manual safety and other safety features operate, how to safely open and close the action and how to safely load and unload ammunition from the firearm. Improper use and handling is dangerous and could cause serious injury or death to you or those around you. All users of the firearm must become thoroughly familiar with the instructions in this manual.

O.F. MOSSBERG & SONS, INC.

P.O. BOX 497 • 7 GRASSO AVENUE, NORTH HAVEN, CT 06473

PHONE (800) 363-3555

www.mossberg.com

Safety and safe firearms handling is everyone's responsibility.



As the owner of a firearm, you must undertake the full-time responsibility of safe firearms handling for your own safety and the safety of those around you:

- Keep all firearms and ammunition out of the reach of children.
- Store your firearms and ammunition separately.
- Never store a loaded firearm.
- Never leave a loaded firearm unattended.
- Never transport a loaded firearm in a vehicle.
- Unload your firearm when you have stopped shooting and when you have to climb a tree, fence, cross a slippery surface or have to transport it in a vehicle.
- The safety should remain fully in the “ON” (SAFE) position and the firearm unloaded at all times until you are in a place where it is safe to shoot, keeping your finger off the trigger and outside of the trigger guard until you are aiming at the intended target and have decided to fire.
- Never shoot at water, rocks or any hard surfaces. Bullets may glance off such surfaces and cause injuries.
- Do not use alcohol or drugs before or while handling firearms.
- Do not touch the trigger while the safety lever is being engaged or disengaged.



Always point the muzzle of your firearm in a safe direction, regardless of whether the firearm is loaded or unloaded. You should become thoroughly familiar with the function and operation of this firearm and the instructions supplied with it.



Always treat every firearm as if it is loaded. Give your firearm to someone with the action open (bolt fully rearward), and the safety lever fully in the “ON” (SAFE) position. Insist on the same procedure when receiving a firearm from someone else. Learn the location of all the safety features of your firearm and how they operate.



Always wear eye and ear protection when shooting. Shooting without proper ear protection can cause hearing damage. The use of eye protection during any type of shooting is important to protect your vision.



When using a firearm with mounted optics, maintain an adequate distance between the rear of the scope and your face at all times. Be certain the scope installation does not interfere with access to, or the proper functioning of the safety lever.



We specifically disclaim any responsibility for damage or injury whatsoever occurring in connection with, or as a result of, the use of faulty, or non-SAAMI standard, or “remanufactured” or hand-loaded (reloaded) ammunition. Additionally, we disclaim any responsibility for damage or injury which results from any modifications or changes that are not a part of the firearm as delivered from the factory.



Learn to clean your firearm thoroughly and make certain no oil, grease or other materials are blocking the barrel. Obstructions of any kind can cause damage to the firearm and could cause serious injury or death to you or those around you.

Practice proper firearm maintenance and safety. Make sure all exposed metal surfaces are coated with a thin film of oil, especially after being exposed to damp weather. (See “Cleaning and Lubrication” section of this manual) Do not plug the barrel or store in a fabric-lined case, which will absorb lubricants from the firearm. Before using after storage, follow complete instructions stated in this manual for re-familiarization with the firearm. A thorough inspection and function test should be performed before going into the field. Have your firearm periodically checked by a qualified gunsmith.



A note about the warnings and information contained in this manual:

We strongly suggest that you check with your local licensed retailer or state police for additional information concerning firearms ownership, or hunting or target shooting rules that may be required by local law or regulation. Since such rules and regulations are subject to change, local authorities are in the best position to advise you on such matters.

TABLE OF CONTENTS

	Page
General Information and Mechanical Characteristics	4
Mechanical Safety	5
Lightning Bolt Action Trigger System	6, 7
Installing the Bolt In the Firearm	8, 9
Removing the Magazine	9, 10
Before Loading the Firearm	10
Loading the Magazine and Firearm	11-13
Unloading the Magazine and Firearm	14
Firing	15
Removing the Bolt from the Firearm	16
Cleaning and Lubrication	16-17
Function Testing	18
Precautions and Care with your Firearm	19
Service Instructions	20
Warranty Information	21
Exploded View and Parts List	22-26
Notes	27
Basic Rules of Safe Firearms Handling	Back Cover



WARNING: This product can expose you to chemicals, including lead, which are known to the State of California to cause cancer and birth defects or other reproductive harm. For more information go to www.P65Warnings.ca.gov.



GENERAL INFORMATION AND MECHANICAL CHARACTERISTICS

When shipped from the factory the rifle has a protective coating of oil on its metal parts. Before using the rifle, visually and physically inspect the inside of the barrel to be sure it is free of any excess oil, grease, or any obstructions. Obstructions of any kind can cause damage to the firearm and could cause serious injury or death to you or those around you.



WARNING

Removal of the magazine will not unload the firearm! Removing the magazine will not remove any cartridge which is in the firearm's chamber! A cartridge in the firearm's chamber can still be fired, even after the firearm's magazine has been removed! After you remove the magazine always visually and physically inspect the chamber and receiver to ensure the firearm is completely unloaded!

FIREARM WILL FIRE WITH MAGAZINE OUT.

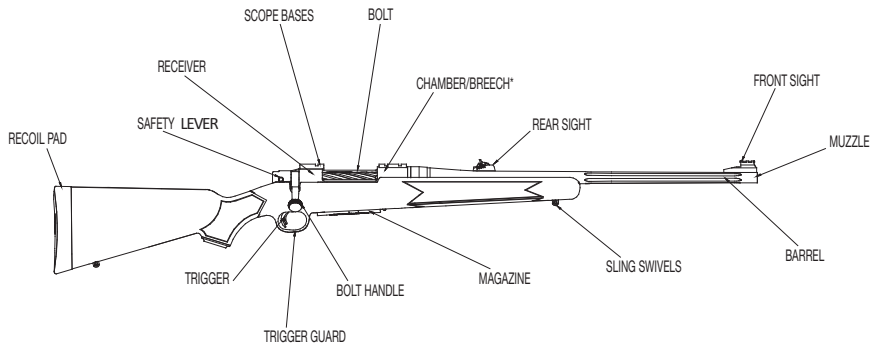


Fig. 1

***The chamber is the rearmost part of the inside of the barrel. The breech is the rear face of the barrel. They can only be seen when the bolt is in the "open" position.**



Read and understand this entire manual and its safety warnings before firing the firearm.

MECHANICAL SAFETY

The mechanical safety lever consists of a knurled lever on the right side of the receiver immediately to the rear of the bolt handle. To put the safety in the "ON" (SAFE) position, move the safety lever fully rearward. For safe firearm handling, learn the feel of the positive "ON" and "OFF" positions of the safety lever. The safety can be activated only when the rifle is cocked or the bolt is fully opened. **DO NOT** check if the action is cocked by pulling the trigger, check first to insure the rifle is unloaded.



Remember, a firearm's manual safety is a mechanical device which can never replace safe firearm handling practices.



Because any mechanical device can fail, never rely on any mechanism or safety device to prevent the dangers of careless handling or pointing a firearm in an unsafe direction.

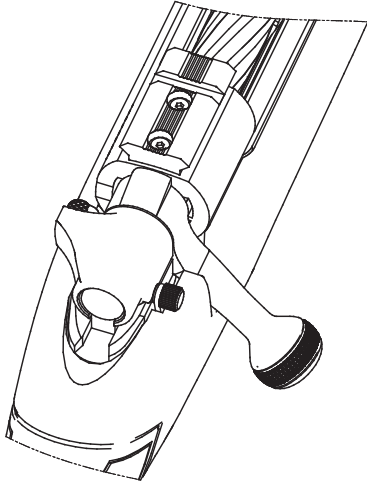


Fig. 2

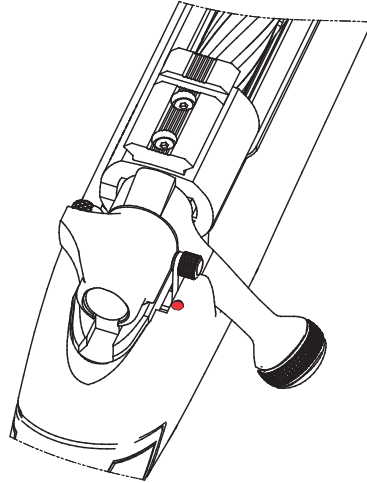


Fig. 3



The safety is set in the "ON" (SAFE) position by moving the safety lever fully rearward into the safety detent. The lever is now covering the red dot (Fig. 2).



The safety is set in the "OFF" (FIRE) position by moving the safety lever forward (Fig. 3) toward the muzzle. The red dot is a training aid used only to show the direction of the "ON" (SAFE) position and should not be used as an indicator that the safety is "ON" or "OFF."



The safety should remain fully rearward in the "ON" (SAFE) position and the firearm unloaded at all times until you are in a place where it is safe to shoot, keeping your finger off the trigger and outside of the trigger guard until you are aiming at the intended target and have decided to fire.



LIGHTNING BOLT ACTION™ TRIGGER SYSTEM ADJUSTMENTS

Your firearm may be equipped with Mossberg's revolutionary "Lightning Bolt Action" Trigger System (US Patent No. US 8,250,799 B2), an adjustable trigger system that allows you to safely adjust the trigger pull of your firearm from 2 to 7 pounds (approximately). Your firearm is shipped with the trigger pull set at the factory minimum. You can adjust the trigger pull by turning the Trigger Pull Adjusting Screw (See Figures 4, 5, 6) clockwise (to increase trigger pull) or counterclockwise (to decrease trigger pull).



BEFORE ANY ATTEMPT IS MADE TO ADJUST YOUR TRIGGER PULL, VISUALLY AND PHYSICALLY INSPECT THE CHAMBER AND MAGAZINE TO MAKE SURE THAT YOUR FIREARM IS UNLOADED. KEEP THE MUZZLE POINTED IN A SAFE DIRECTION AT ALL TIMES!!

To Adjust Your Trigger Pull

Remove the stock by removing the front and rear action screws. Lift the action out of the stock. Adjust the trigger pull by turning the Trigger Pull Adjusting Screw clockwise (See Figure 5) to increase trigger pull, or counterclockwise (See Figure 6) to decrease trigger pull. The Trigger Pull Adjusting Screw incorporates a nylon patch that provides resistance while turning the screw for adjustment. This is normal and to be expected. Do not remove the Trigger Pull Adjusting Screw or the Adjusting Spring from the trigger housing. The components may get lost and trigger pull adjustment will not be possible. Reinstall the action into the stock and tighten the front first, and then the rear, action screws. With your firearm pointed in a safe direction, visually and physically inspect the chamber and magazine to make sure that your firearm is unloaded. Then, using the instructions provided in this manual, perform a complete function test (see the "Function Testing" section of this manual). If the trigger pull is not to your satisfaction, repeat the above procedure until satisfactory results are obtained.

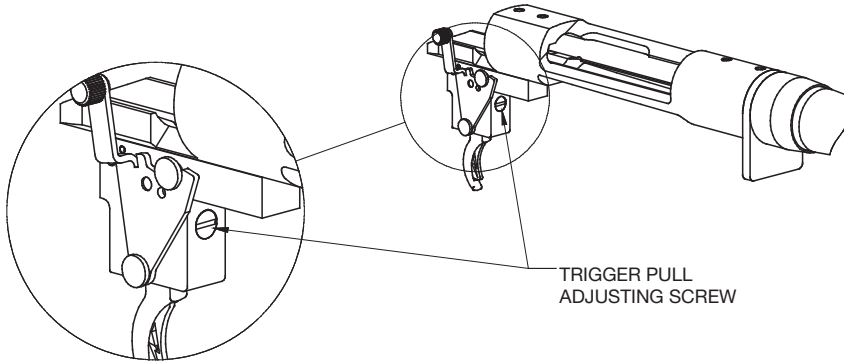
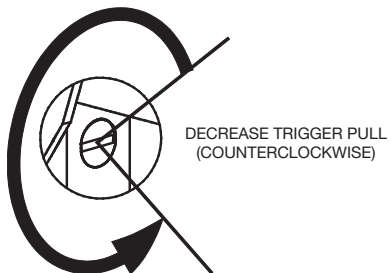


No other trigger adjustments are provided. In order to avoid serious personal injury to you or those around you, no other changes, alterations, or adjustments should be made to the trigger system.





Firearms are complicated mechanisms. Any modification, alteration, or improper fitting of parts may result in a dangerous malfunction, damage to the firearm and injury to the shooter and other persons. The firearm's owner must accept full responsibility for the correct reassembly and functioning of the firearm after any disassembly or replacement of parts.

**Fig. 4****Fig. 5****Fig. 6**

INSTALLING THE BOLT IN THE FIREARM



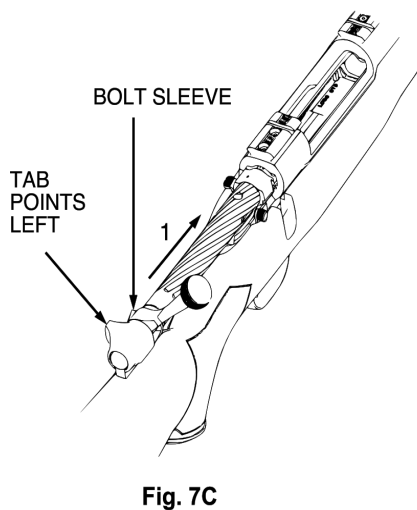
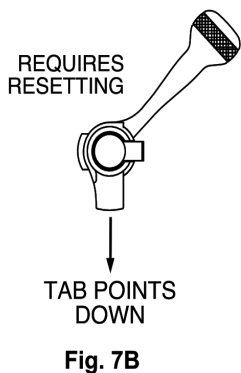
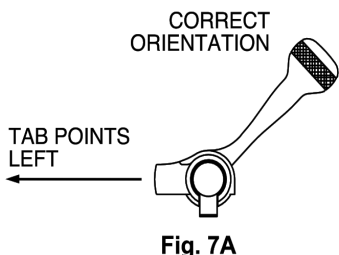
Visually and physically check to make certain there is no ammunition in the chamber or magazine. Keep the muzzle pointed in a safe direction at all times.

- A.** With the bolt handle pointing up and to the right, align the locking lugs on the bolt with the matching machined cuts in the rear of the receiver.

When assembling the bolt into the firearm, make sure the position of the bolt sleeve is as shown in Fig. 7A. If it is not, the bolt will not close fully and the tab on the bolt sleeve will hit the top of the stock and may cause damage to your stock. The bolt handle assembly is designed so that it cannot be installed in the firearm unless it is in correct alignment.

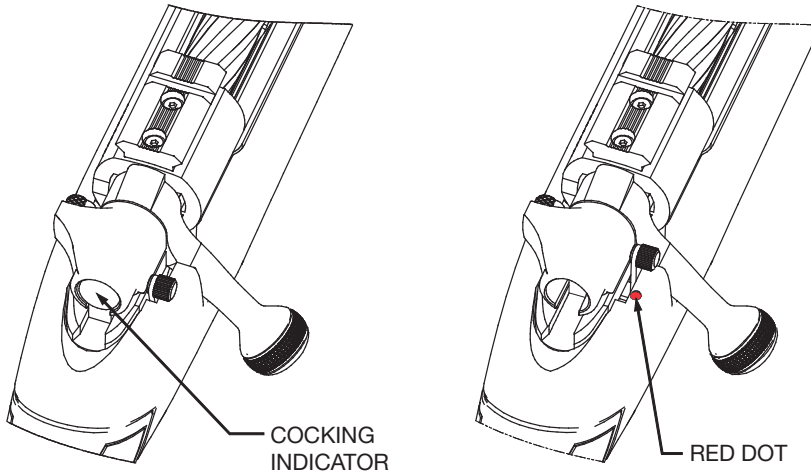
The correct bolt assembly orientation is shown in Fig. 7A. With the bolt handle up and to the right, the tab on the bolt sleeve is horizontal and to the left.

The orientation shown in Fig. 7B requires resetting the bolt sleeve to the position shown in Fig. 7A. This may be done by holding the tab on the bolt sleeve in a vise with padded jaws (to prevent marring of the part) and rotating the bolt handle counter clockwise until it is the same as Fig. 7A before assembling the bolt into the firearm.



- B.** Push the bolt forward gently into the receiver about one inch, until the bolt-stop snaps into place behind the bolt lugs holding the bolt in place (Fig. 7C).

- C. Push the bolt fully forward and rotate the bolt handle clockwise and down to the “closed bolt” position. Observe the end of the bolt. The round flat end of the striker is the cocking indicator. When it is flush with the outside ring of the bolt sleeve, it indicates the firearm is cocked and will fire if the firearm is loaded (Fig. 8), the safety lever is moved to the “OFF” (FIRE) position, and the trigger is pulled. When the firearm is fired, the cocking indicator will snap forward and be recessed approximately 3/16” from the edge of the bolt sleeve (Fig. 9).



FIGURES 8 & 9

The bolt can be operated with the safety lever in either the “ON” (SAFE) or “OFF” (FIRE) position.

REMOVING THE MAGAZINE



WARNING

Removal of the magazine will not unload the firearm! Removing the magazine will not remove any cartridge which is in the firearm’s chamber! A cartridge in the firearm’s chamber can still be fired, even after the firearm’s magazine has been removed! After you remove the magazine always visually and physically inspect the chamber and receiver to ensure the firearm is completely unloaded!

FIREARM WILL FIRE WITH MAGAZINE REMOVED.

This firearm may be equipped with a removable magazine. The magazine can be removed with the action in the open or closed position. Remove the magazine by pulling the magazine release latch rearward (Fig. 10). The magazine will fall freely from its seat. Familiarize yourself with the firearm by installing and removing an unloaded magazine and by learning to keep the action in the open position.

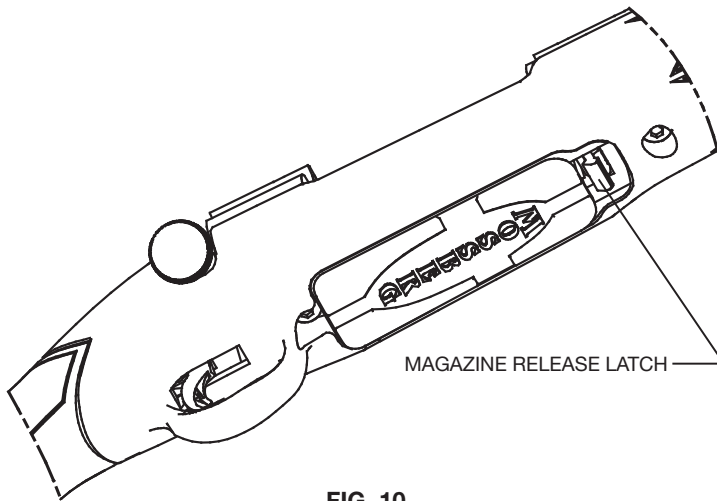








FIG. 10

BEFORE LOADING THE MAGAZINE

- 
 Before loading, move the safety lever fully rearward to the “ON” (SAFE) position.
- 
 Before loading, visually and physically inspect the chamber and bore of the barrel for any obstruction, excessive oil or grease. (The chamber is the rear portion of the barrel which contains the cartridge.) Obstructions of any kind can cause damage to the firearm and may result in serious personal injury to the shooter and/or others nearby.
- 
 During loading never allow fingers or any objects to contact the trigger. Keep the muzzle pointed in a safe direction at all times.
- 
 Do not load firearm until ready for use! Unload firearm when shooting has been completed! The safety lever should always be fully rearward in the “ON” (SAFE) position whether the firearm is loaded or not.
- 
 Check to be certain that the correct ammunition has been selected for use. Ensure it is the same caliber and type of cartridge as designated on the left side of the barrel.
- 
 This firearm may be equipped with a removable magazine. If so equipped, this firearm is capable of firing a chambered cartridge with the magazine empty, without the magazine inserted, or if the magazine is dislodged from its locked position.

CAPACITY

The PATRIOT BOLT ACTION CENTERFIRE RIFLE has a total capacity of four (4) cartridges: three (3) in the magazine, one (1) in the chamber for magnum and 375 Ruger calibers, or a total capacity of six (6) cartridges: five (5) in the magazine, one (1) in the chamber for standard non-magnum calibers.



LOADING THE MAGAZINE AND FIREARM

LOADING THE MAGAZINE (FIXED MAGAZINE MODELS)

With the action fully open the magazine may be loaded by inserting one cartridge at a time, pressing against the plastic follower and rearwards until the magazine is full, or until the desired number of cartridges has been loaded (Fig. 11). This loading method will also work for removable magazine models when the removable magazine is still in the rifle.

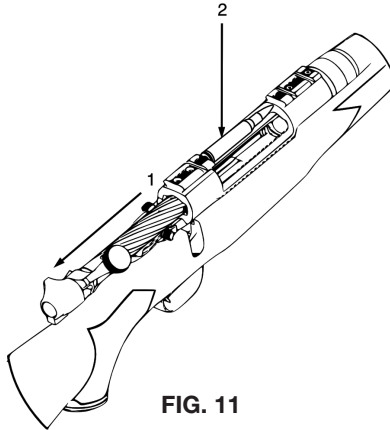


FIG. 11

LOADING THE MAGAZINE (REMOVABLE MAGAZINE MODELS)

To load the magazine when it is out of the firearm, remove the magazine from the firearm by pulling the magazine release latch rearward (Fig. 10). The magazine will drop free from its seat. Hold the magazine in one hand and insert one cartridge at a time, pressing against the magazine follower and rearwards until the magazine is full, or until the desired number of cartridges has been loaded (Fig. 12).

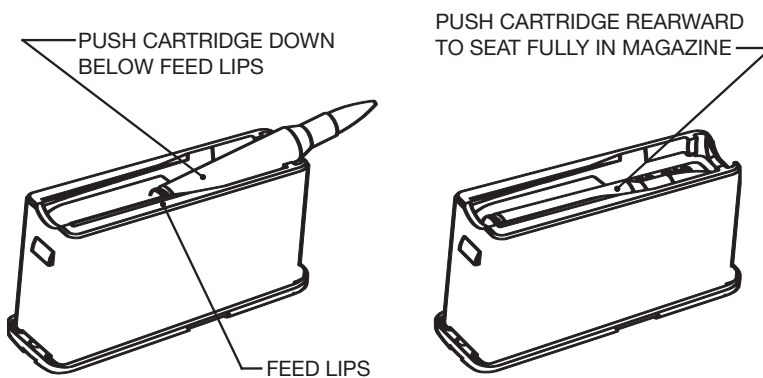


FIG. 12



LOADING WITHOUT CHAMBERING (REMOVABLE MAGAZINE MODELS)

If you wish to load the magazine but close the bolt on an empty chamber, keeping the muzzle pointed in a safe direction, put the safety on, remove the magazine, visually and physically check to be certain there are no cartridges in the chamber or receiver, and close the bolt, watching to make sure that no cartridge is pushed into the chamber. Insert a loaded magazine into the firearm by sliding the magazine up into the magazine opening until securely in place (Fig. 13).

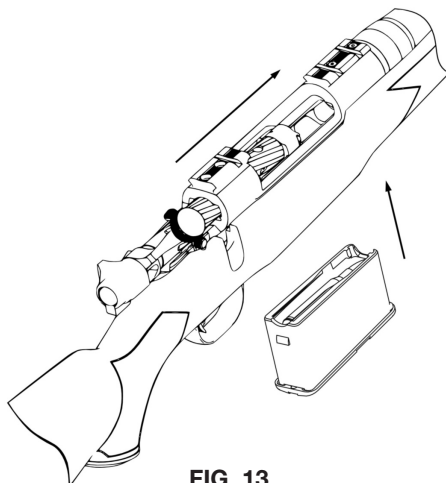


FIG. 13

LOADING THE CHAMBER AND MAGAZINE (REMOVABLE MAGAZINE MODELS)

If you wish to load the firearm up to its full shot capacity, put the safety on, then remove and load the magazine. Keeping the muzzle pointed in a safe direction, place (1) cartridge into the chamber of the barrel and close the bolt. Insert a loaded magazine into the firearm by sliding the magazine up into its seat until retained in place by the magazine release latch engagement. The firearm is ready to fire as soon as the safety lever is moved forward to the "OFF" (FIRE) position.

LOADING SINGLE CARTRIDGES

Move the safety lever fully rearward to the "ON" (SAFE) position. Keeping the muzzle pointed in a safe direction, lift the bolt handle and pull the bolt to the rear until it stops. Visually and physically check the chamber to make sure it is empty.

You may use your firearm as a single-shot by placing one cartridge at a time directly into the chamber, or on the magazine follower (Fig. 11). Keeping the muzzle pointed in a safe direction, push the bolt forward and rotate the bolt handle clockwise to its fully down position. In its forward movement, the bolt will reposition the cartridge from the magazine into the chamber for firing. The firearm is ready to fire as soon as the safety lever is moved forward to the "OFF" (FIRE) position.

LOADING WITHOUT CHAMBERING (FIXED MAGAZINE MODELS)

If you wish to load the magazine but close the bolt on an empty chamber, press up to three (3) cartridges for magnum calibers or five (5) for standard non-magnum calibers, down into the magazine, one at a time. BEFORE closing the bolt, depress the top cartridge in the magazine with your thumb while slowly sliding the bolt forward so that it overrides the top cartridge in the magazine (Fig. 14). Keeping the muzzle pointed in a safe direction, remove your thumb and finish closing the bolt, watching to make sure that no cartridge is pushed into the chamber.

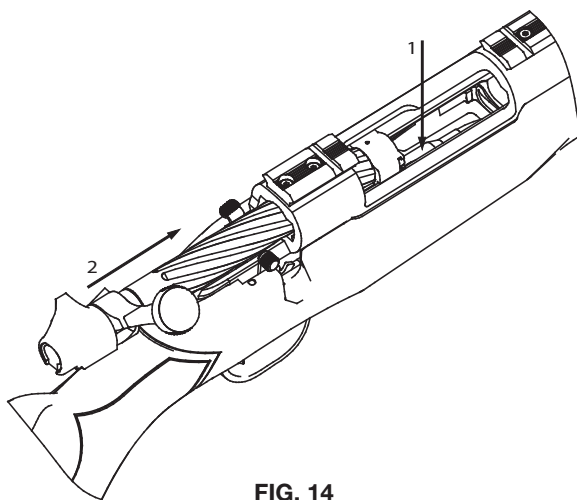


FIG. 14

LOADING THE CHAMBER AND THE MAGAZINE (FIXED MAGAZINE MODELS)

If you wish to load the firearm up to its full capacity of four (4) cartridges for magnum calibers, or six (6) for standard non-magnum calibers, first load one (1) cartridge into the chamber. Press one cartridge down into the magazine at a time until it has reached its capacity; three (3) for magnum calibers and five (5) for standard non-magnum calibers. Before closing the bolt depress the top cartridge in the magazine with your thumb while slowly sliding the bolt forward so that it overrides the top cartridge in the magazine. Keeping the muzzle pointed in a safe direction remove your thumb and finish closing the bolt. The firearm is ready to fire as soon as the safety lever is moved forward to the "OFF" (FIRE) position.



The firearm is now loaded and will fire if the trigger is pressed whether the magazine is in the firearm or not.



To minimize the risk of unintended firing, the safety should remain fully rearward in the "ON" (SAFE) position and the firearm unloaded at all times until you are in a place where it is safe to shoot, keeping your finger off the trigger and outside of the trigger guard until you are aiming at the intended target and have decided to fire.



UNLOADING THE MAGAZINE AND FIREARM



Pull the safety lever fully rearward to the "ON" (SAFE) position (Fig. 1). During unloading, never allow fingers or any other object to contact the trigger. **KEEP THE MUZZLE POINTED IN A SAFE DIRECTION AT ALL TIMES.**

UNLOADING THE MAGAZINE (REMOVABLE MAGAZINE MODELS)

Hold the magazine in one hand, bottom down, and front end forward (Fig. 13). Push the cartridge forward and allow the nose of the cartridge to rise slightly upward until it is released from the magazine. Repeat until the magazine is unloaded.

UNLOADING THE FIREARM (REMOVABLE MAGAZINE MODELS)

Lift the bolt handle and pull fully to the rear. This will extract a cartridge or empty shell from the chamber. Remove the magazine by pulling the magazine release latch.

UNLOADING THE FIREARM (FIXED MAGAZINE MODELS)

Lift the bolt handle and pull fully to the rear. This will extract a cartridge or empty shell from the chamber. Continue this process until all cartridges are removed from the magazine. During unloading, never allow fingers or any other object to contact the trigger. **KEEP THE MUZZLE POINTED IN A SAFE DIRECTION AT ALL TIMES.**



After unloading always visually and physically inspect the chamber, receiver and magazine to make sure that all of the cartridges have been removed.



FIRING



Use of this product, including discharging firearms in poorly ventilated areas, cleaning firearms, or handling ammunition can result in exposure to chemicals, including lead, which are known to the state of California to cause serious physical injury, including cancer, birth defects or other reproductive harm. For more information, go to www.P65Warnings.ca.gov.

Have adequate ventilation at all times and wash hands thoroughly after exposure.

With the firearm pointed in a safe direction, held in the proper firing position, keep your finger off the trigger and outside the trigger guard until you are aiming at the intended target and have decided to fire. Move the safety lever forward to the "OFF" (FIRE) position. Once you intend to shoot, pulling the trigger through its full travel to the rear will fire the firearm.

After the firearm is fired, raise the bolt handle and pull back as far as it will go. This motion will eject the spent casing. To feed the next cartridge, push the bolt handle fully forward, then down. The firearm is again ready to fire.



As a safety procedure, every time shooting is interrupted or the firearm is unloaded, move the safety lever fully rearward to the "ON" (SAFE) position and open the action by lifting the bolt handle and pulling it fully to the rear. Always visually and physically inspect the chamber, receiver, and magazine to make sure that all of the cartridges have been removed.



Should a cartridge fail to fire after pulling the trigger, move the safety lever fully rearward to the "ON" (SAFE) position, keep the firearm pointed in a safe direction for at least 30 seconds in case of a "hangfire" (delayed firing of the cartridge after being struck by the firing pin). Then lift the bolt handle and pull the bolt to the rear to extract and eject the misfired cartridge. Segregate the misfired cartridge from other ammunition. Do not attempt to refire a misfired cartridge.



If at any time during firing, the sound of any given cartridge is noticeably louder or softer than previous cartridges fired, STOP! Do not load or fire additional cartridges until you have safely unloaded your firearm, moved the safety lever fully rearward to the "ON" (SAFE) position and inspected it for possible damage or obstruction in the chamber or bore. (The bore is the inside surface of the barrel.) Firing the firearm with a bore obstruction can cause damage to the firearm and could cause serious injury or death to you or those around you.

If the need to inspect your firearm for possible damage or obstructions in the chamber or bore arises, keep the muzzle pointed in a safe direction. Unload the firearm as instructed in the previous section while keeping the ejection port and magazine well opening (Where applicable) of the firearm turned away from your face (to protect your eyes in the event a defective cartridge explodes). Lift the bolt handle and pull the bolt to the rear. Visually and physically inspect the chamber and receiver to make sure that all of the cartridges have been removed. After unloading, inspect your firearm for possible damage or obstructions in the chamber or bore.

Each brand and type of ammunition can produce different accuracy results. It is best to try as many brands and types of ammunition as possible to determine which performs best in your firearm.

REMOVING THE BOLT FROM THE FIREARM



Pull the safety lever fully rearward to the “ON” (SAFE) position (Fig. 1). During unloading, never allow fingers or any other object to contact the trigger. Always visually and physically inspect the chamber, receiver, and magazine to make sure that all of the cartridges have been removed. **KEEP THE MUZZLE POINTED IN A SAFE DIRECTION AT ALL TIMES.**

Raise the bolt handle and pull the bolt part way to the rear of the action. Depress the bolt stop at the left rear of the receiver to withdraw the bolt rearward out of the receiver (Fig. 15).

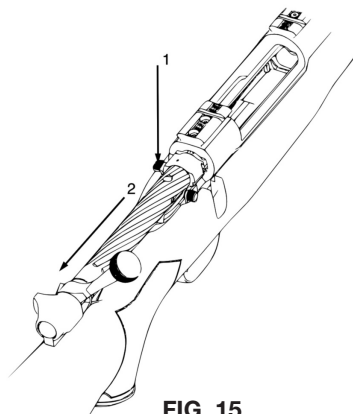


FIG. 15

CLEANING AND LUBRICATION

With proper maintenance and care, your firearm will provide you with years of dependable service. Your firearm should be inspected and cleaned periodically to ensure that it remains in good condition. However, unusually dusty, dirty, or harsh weather conditions, or use of dirty ammunition which leaves significant powder residue may necessitate more frequent cleaning.

Clean and lubricate your firearm as soon as possible after use. This is especially important if your firearm has been exposed to moisture. For maximum performance and continued satisfaction with your firearm, periodic cleaning and lubrication are essential. Always wear eye protection during cleaning and lubrication.

Use the instructions and equipment provided with a quality firearm cleaning kit.

All metal parts should be cleaned with firearm solvent and lightly lubricated with firearm oil. Over-lubrication should be avoided. Use only lubricants specifically designed for firearms. Avoid the use of abrasives which may damage the metal finish.

Normal use requires only that the mechanisms be free of excessive shooting residue. Very little lubrication other than a light oiling of external metal surfaces is needed to prevent rust.

If the firearm is to be stored for a long period of time it should be thoroughly cleaned and oiled to prevent rusting. Do not plug barrel or store in a fabric lined case that will absorb lubricant from the firearm.



THE BOLT ASSEMBLY AND RECEIVER

In the receiver, special attention should be given to the bolt sliding surfaces. The bolt and the receiver must be carefully cleaned and free of any solid residues. Solid residues in the bolt/receiver areas may prevent the bolt from closing properly and a misfire may result.

The bolt can be removed from the barreled action, and the barreled action can be removed from the stock, but further disassembly should be performed by a certified gunsmith only.

THE BARREL

Whenever possible, use cleaning products that allow cleaning the bore from breech to muzzle. If this is not possible, be very careful while introducing the cleaning rod into the barrel muzzle, thus avoiding any damage to the barrel crown (where the rifling comes to an end at the muzzle).

Using a brass cleaning brush moistened with solvent, scrub the bore several times.

Use a cleaning rod with a clean cloth to wipe the bore dry. Repeat several times using a new patch each time until the barrel is clean and shows no signs of residue.

Finally, wipe with a patch moistened with a quality gun oil. Do not over-lubricate, a light film is recommended.



If during the disassembly or cleaning of your firearm you should detect any cracks, fractures, chips, or excessive wear, do not use your firearm until you have contacted the Product Service Center or a qualified gunsmith. Using broken or worn parts may result in damage to the firearm and could cause serious injury or death to you or those around you.




Make sure the bore and receiver are free of obstructions and excessive lubricant after cleaning. Be sure not to leave cleaning patches or excessive oil or grease in the bore as they can create dangerous obstructions. Obstructions of any kind can cause damage to the firearm and could cause serious injury or death to you or those around you.





Camouflage firearms: Caution should be exercised to avoid exposure of camouflage patterns to solvents or insect repellants.



FUNCTION TESTING

 Check your firearm for proper functioning before loading or firing live ammunition.

 Move the safety lever fully rearward to the “ON” (SAFE) position.

 Be sure the firearm is completely unloaded by opening the action, removing the magazine and visually and physically inspecting the chamber, receiver and magazine to make sure that all of the cartridges have been removed. Keep the firearm pointed in a safe direction at all times.

Open and close the action several times to check for free movement of the action assembly. The bolt stop should keep the bolt from coming completely out of the receiver.


If your firearm is equipped with the Lightning Bolt Action™ trigger system, check for free movement of the trigger blade (the part with the lightning bolt cut out) by depressing it until your finger touches the trigger. Release the blade slowly and verify that the trigger blade returns to its original position. Repeat this test several times.


Close the action and leave the safety lever fully rearward in the “ON” (SAFE) position. Make certain the firearm is pointed in a safe direction. Pull the trigger fully rearward. The firing pin should not release.


Remove your finger from the trigger. Move the safety lever forward to the “OFF” (FIRE) position. The firing pin should not release.

Leave the safety lever in the “OFF” (FIRE) position. Make certain the firearm is pointed in a safe direction. Pull the trigger fully rearward. **THE FIRING PIN SHOULD RELEASE.**

When you have completed the function testing, open the action and move the safety lever fully rearward to the “ON” (SAFE) position.

 IF YOUR FIREARM DOES NOT PERFORM AS DESCRIBED IN ANY OF THE PREVIOUS STEPS, CONTACT THE FACTORY AUTHORIZED PRODUCT SERVICE CENTER IMMEDIATELY. DO NOT ATTEMPT TO USE THE FIREARM.

 Firearms are complicated mechanisms. Any modification, alterations, or improper fitting of parts may result in a dangerous malfunction, damage to the firearm and could cause serious injury or death to you or those around you. The firearm’s owner must accept full responsibility for the correct reassembly and functioning of the firearm after any disassembly or replacement of parts.

 PERIODICALLY CHECK THAT THE MUZZLE BRAKE (IF SO EQUIPPED) IS TIGHTENED FIRMLY ONTO THE BARREL.



PRECAUTIONS AND CARE WITH YOUR FIREARM

When you store your firearm, make sure that the magazine and the chamber are empty. Visually and physically inspect the chamber, receiver and magazine to make sure that all of the cartridges have been removed.

Handling leaves moisture prints that can cause metal parts to rust. Abrupt changes in temperature cause condensation and moisture. Wipe the barrel and other metal parts with light oil after handling.



SERVICE INSTRUCTIONS

Should your firearm or any component of your firearm require service, ship your entire firearm (please do not send components only), via your chosen carrier, postage paid (we do not accept C.O.D. shipments), following these instructions:

Repairs in the U.S.

For faster repair service, please start the process by filling out our Service Request Form online at <http://www.mossberg.com/service> prior to shipping your firearm.



- **Make absolutely certain your firearm is unloaded.**
- **Do not send ammunition with your firearm.**
- Remove all accessories from your firearm such as scopes, slings, scope mounts, etc.
- Ship your firearm in a suitable container, packaging it securely to prevent parts from shifting and/or damage during shipping.
- Include a note with a clear description of the service you wish us to perform, your complete return shipping address (no P.O. boxes please), your daytime telephone number and your e-mail address (if available).
- It is advisable to place your correspondence inside your shipping container when shipping.

SHIPPING ADDRESS

Mossberg Product Service Center
1001 Industrial Blvd.
Eagle Pass, TX 78852

If you have any service related questions, please contact the Product Service Center at (800) 363-3555 or service@mossberg.com

TO ORDER PARTS

To order parts from the Product Service Center, you can fax, phone, email, or mail your order to one of the below numbers/addresses.

Fax Number: (203) 230-5420

Phone Number: (800) 363-3555

E-mail Address: service@mossberg.com

Mailing Address: Mossberg Product Service Center
1001 Industrial Blvd.
Eagle Pass, TX 78852
Attn: Order Department

Please provide your name, address, city, state, zip, your daytime phone number and e-mail (if available). The Product Service Center will need the Model Number, Serial Number, Gauge/Caliber, Finish, Item Number, and Part Name. There is a \$7.50 (U.S.) minimum parts order charge. Most major credit cards, money orders, and bank drafts are accepted.

Service outside of the U.S.A.

For Mossberg firearm parts and service requirements outside of the United States, customers are requested to contact the closest Mossberg stocking dealer/distributor.



MOSSBERG® WARRANTY

MOSSBERG PATRIOT™

TWO (2) YEAR LIMITED WARRANTY

Limited Warranty: O.F. Mossberg & Sons, Inc. ("Mossberg") warrants to you, the original retail purchaser of a new Mossberg PATRIOT™ (the "Mossberg firearm"), that the Mossberg firearm will be free of defects in material or manufacture for a period of two (2) years from the date of your purchase of the new Mossberg firearm (the "Warranty Period") in the United States or Canada. This is the only express warranty on the Mossberg firearm. MOSSBERG MAKES NO OTHER WARRANTIES OF ANY KIND OR CONDITIONS, INCLUDING, BUT NOT LIMITED TO ANY IMPLIED WARRANTY OF MERCHANTABILITY OR FITNESS FOR A PARTICULAR PURPOSE. This Limited Warranty gives you specific legal rights, and you may have other rights that vary from State to State.

Purchaser's Remedy: During the Warranty Period, Mossberg will, at its sole option, (1) repair the Mossberg firearm or any part thereof that, upon examination and testing by Mossberg, does not conform to the Limited Warranty without charge to you for parts or labor, or (2) replace the Mossberg firearm with a new or similar model. THIS REMEDY SHALL BE YOUR EXCLUSIVE AND SOLE REMEDY FOR ANY BREACH OF WARRANTY. MOSSBERG SHALL NOT BE RESPONSIBLE FOR ANY OTHER EXPENSES, LOSSES OR INCONVENIENCE THAT YOU MAY SUSTAIN AS A RESULT OF THE PURCHASE, USE, MALFUNCTION OR DEFECTIVE CONDITION OF THE MOSSBERG FIREARM. Mossberg reserves the right to inspect, examine and/or test the Mossberg firearm to assess any claim made under the Limited Warranty.

EXCLUSIONS: THIS WARRANTY DOES NOT COVER THE COSMETIC APPEARANCE OF THE MOSSBERG FIREARM OR ANY DAMAGE CAUSED BY:

- (1) NORMAL WEAR AND TEAR;
- (2) FAILURE TO PERFORM PROPER CARE AND MAINTENANCE;
- (3) ACCIDENTS, ABUSE OR NEGLIGENCE;
- (4) BARREL OR BORE OBSTRUCTIONS;
- (5) FAILURE TO FOLLOW THE INSTRUCTIONS AND WARNINGS THAT ACCOMPANY THE MOSSBERG FIREARM; OR
- (6) THE USE OF DEFECTIVE, NON-SAAMI STANDARD, REMANUFACTURED, HANDLOADED, AND/OR RELOADED AMMUNITION.

IN ADDITION, ANY UNAUTHORIZED REPAIRS, ALTERATIONS OR MODIFICATIONS TO THE MOSSBERG FIREARM WILL AUTOMATICALLY VOID THE LIMITED WARRANTY.

LIMITATION OF DAMAGES: EXCEPT WHERE PROHIBITED BY LAW, MOSSBERG WILL NOT BE LIABLE FOR ANY LOSS OR DAMAGE WHATSOEVER ARISING FROM THE USE OF THIS MOSSBERG FIREARM, WHETHER DIRECT, INDIRECT, SPECIAL, INCIDENTAL, CONSEQUENTIAL OR PUNITIVE, REGARDLESS OF THE LEGAL THEORY ASSERTED, INCLUDING CONTRACT, WARRANTY, NEGLIGENCE, OR STRICT LIABILITY. SOME JURISDICTIONS DO NOT ALLOW LIMITATIONS ON HOW LONG AN IMPLIED WARRANTY LASTS, OR THE EXCLUSION OF INCIDENTAL OR CONSEQUENTIAL DAMAGES, SO THE ABOVE LIMITATIONS MAY NOT APPLY TO YOU.

Warranty Service: To obtain service under this Limited Warranty, you must follow the instructions found in the "Service Instructions" section of the Owner's Manual and return the Mossberg firearm to the authorized Product Service Center. You are responsible for all shipping costs to the Product Service Center. Mossberg will not accept COD shipments of any Mossberg firearm for service. After repair or replacement, the Mossberg firearm or a similar model will be returned to you, return postage paid by Mossberg. If we replace the Mossberg firearm, we will keep the firearm that you returned to Mossberg.

Modification of Warranty: No agent, representative, distributor, or authorized dealer of Mossberg firearms has any authority to modify the terms or conditions of the Limited Warranty in any way. The Limited Warranty may only be modified in writing by an authorized officer of Mossberg.

THIS LIMITED WARRANTY IS EFFECTIVE JANUARY 1, 2014.

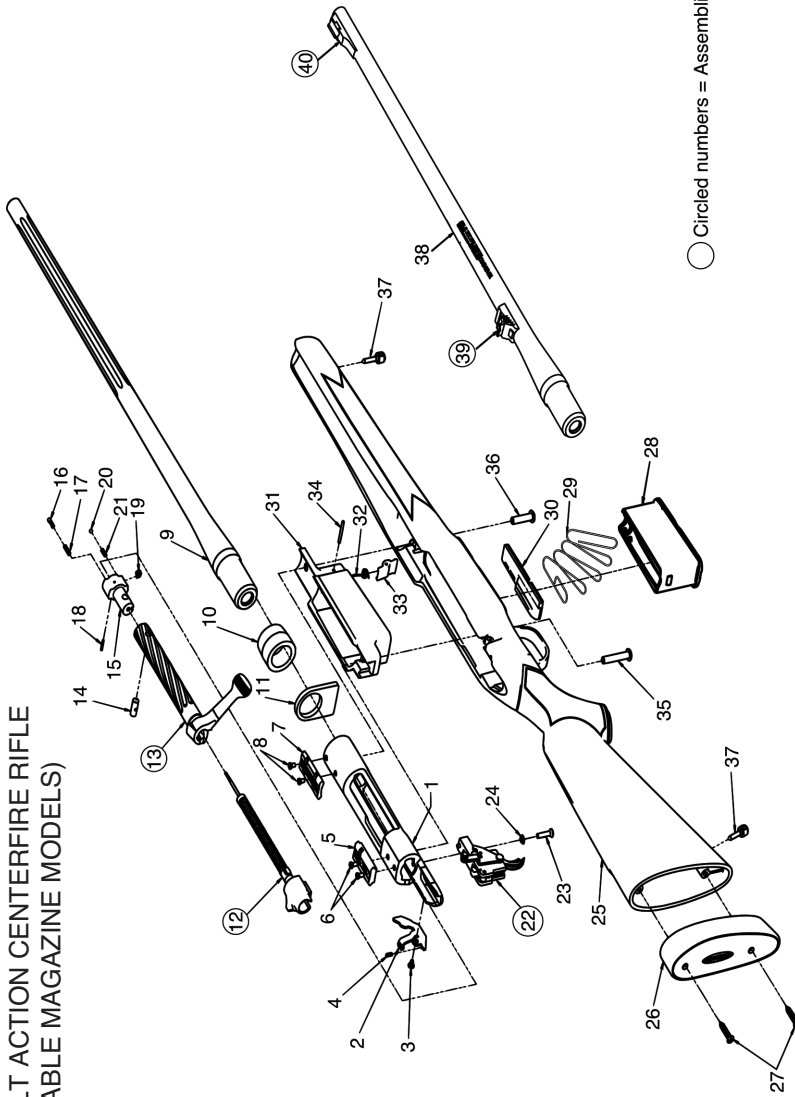


PARTS LISTS AND EXPLODED VIEWS

PATRIOT BOLT ACTION CENTERFIRE RIFLE (REMOVABLE MAGAZINE MODELS)			
ITEM	DESCRIPTION	ITEM	DESCRIPTION
1*	RECEIVER	25	STOCK SYNTHETIC
2	BOLT STOP	26	RECOIL PAD
3	BOLT STOP SCREW	27	RECOIL PAD SCREWS
4	BOLT STOP SPRING	28	MAGAZINE
5	SCOPE MOUNT, REAR	29	MAGAZINE SPRING
6	SCOPE MOUNT SCREWS, REAR	30	FOLLOWER
7	SCOPE MOUNT, FRONT	31	MAGAZINE GUIDE
8	SCOPE MOUNT SCREWS, FRONT	32	LATCH SPRING
9*	BARREL	33	LATCH
10*	BARREL LOCK NUT	34	LATCH PIN
11*	RECOIL LUG	35	REAR ACTION SCREW
12	STRIKER ASSEMBLY	36	FRONT ACTION SCREW
13	BOLT BODY ASSEMBLY	37	SWIVEL STUDS
14	BOLT HEAD ASSEMBLY PIN	38*	BARREL (OPEN SIGHTS)
15*	BOLT HEAD	39	REAR SIGHT ASSEMBLY (WITH SCREWS)
16	EJECTOR	40	FRONT SIGHT ASSEMBLY (WITH SCREWS)
17	EJECTOR SPRING	41	STOCK, WOOD
18	EJECTOR PIN	42	RECOIL PAD
19	EXTRACTOR	43	RECOIL PAD SCREWS
20	EXTRACTOR DETENT BALL	44	TRIGGER GUARD
21	EXTRACTOR SPRING	45	REAR TRIGGER GUARD SCREWS
22*	TRIGGER HOUSING ASSEMBLY	46	PISTOL GRIP CAP
23*	TRIGGER HOUSING SCREW	47	PISTOL GRIP CAP SCREW
24*	TRIGGER HOUSING WASHER	48	PISTOL GRIP CAP COVER

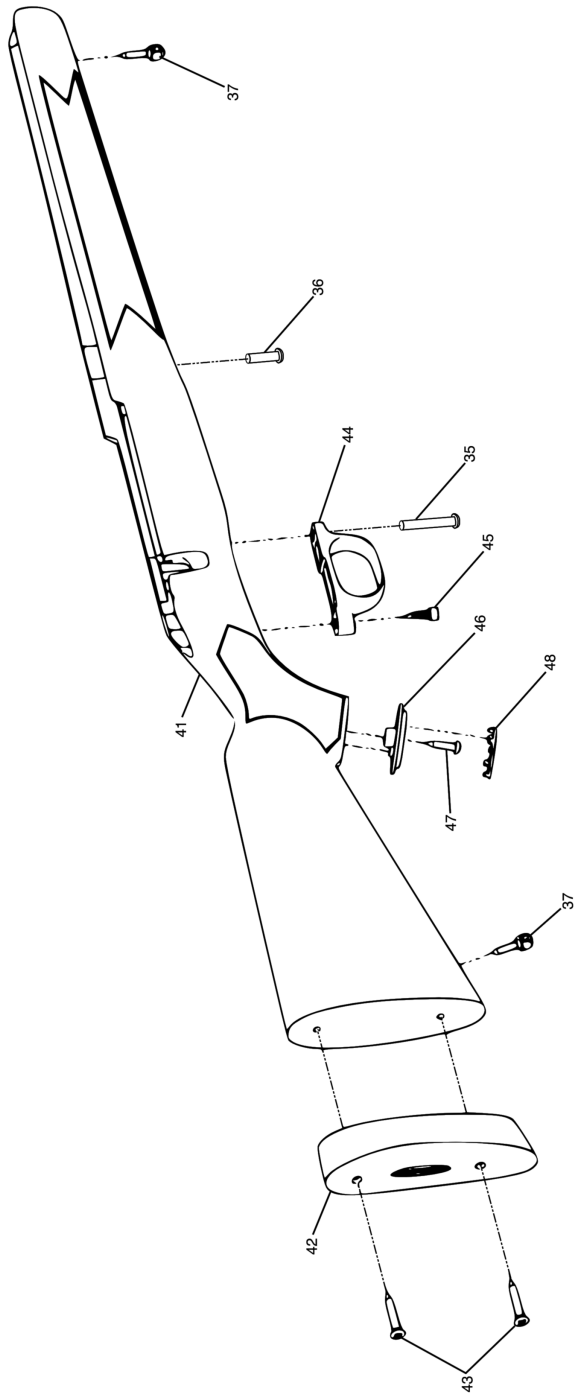
* Items on Parts List are reserved for qualified gunsmiths or the Authorized Product Center Only

EXPLODED VIEW
PATRIOT BOLT ACTION CENTERFIRE RIFLE
(REMOVABLE MAGAZINE MODELS)



○ Circled numbers = Assemblies

EXPLODED VIEW
PATRIOT BOLT ACTION CENTERFIRE RIFLE
(REMOVABLE MAGAZINE MODELS)



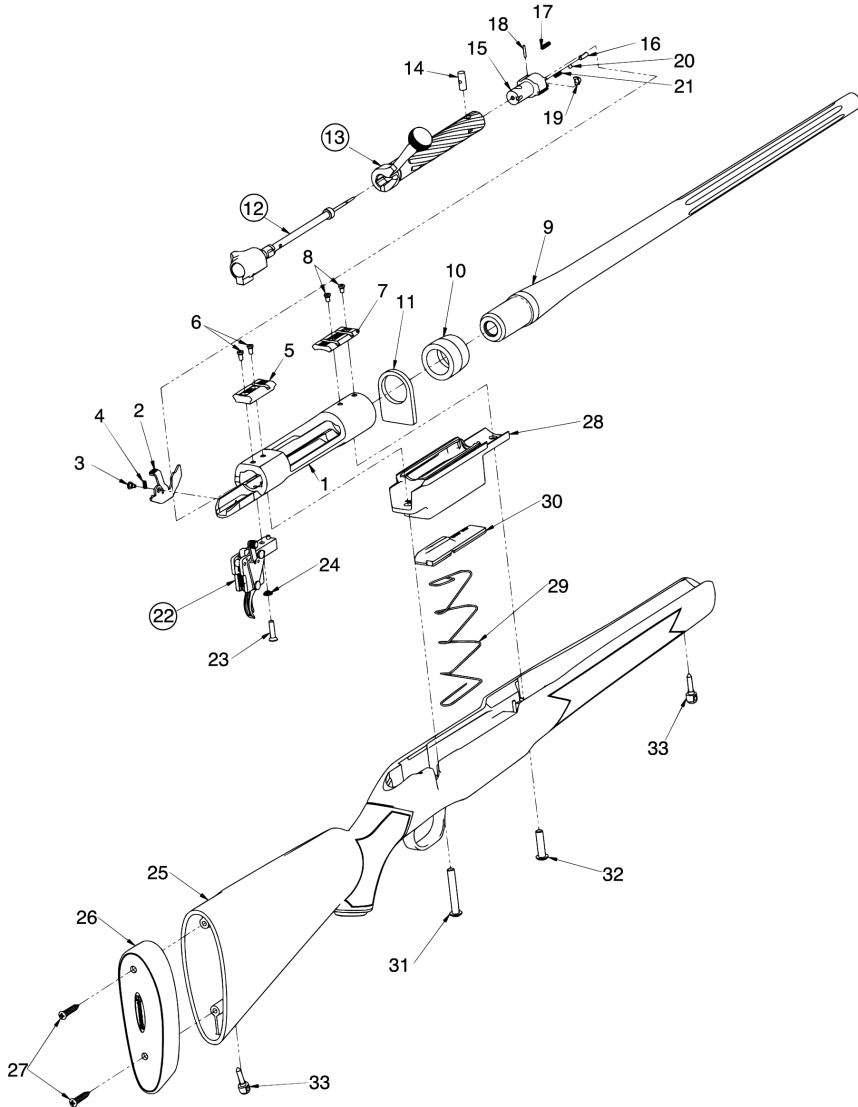
PATRIOT BOLT ACTION CENTERFIRE RIFLE (FIXED MAGAZINE MODELS)			
ITEM	DESCRIPTION	ITEM	DESCRIPTION
1*	RECEIVER	25	STOCK SYNTHETIC
2	BOLT STOP	26	RECOIL PAD
3	BOLT STOP SCREW	27	RECOIL PAD SCREWS
4	BOLT STOP SPRING	28	INTERNAL MAGAZINE GUIDE
5	SCOPE MOUNT, REAR	29	MAGAZINE SPRING
6	SCOPE MOUNT SCREWS, REAR	30	FOLLOWER
7	SCOPE MOUNT, FRONT	31	REAR ACTION SCREW
8	SCOPE MOUNT SCREWS, FRONT	32	FRONT ACTION SCREW
9*	BARREL	33	SWIVEL STUDS
10*	BARREL LOCK NUT		
11*	RECOIL LUG		
12	STRIKER ASSEMBLY		
13	BOLT BODY ASSEMBLY		
14	BOLT HEAD ASSEMBLY PIN		
15*	BOLT HEAD		
16	EJECTOR		
17	EJECTOR SPRING		
18	EJECTOR PIN		
19	EXTRACTOR		
20	EXTRACTOR DETENT BALL		
21	EXTRACTOR SPRING		
22*	TRIGGER HOUSING ASSEMBLY		
23*	TRIGGER HOUSING SCREW		
24*	TRIGGER HOUSING WASHER		

* Items on Parts List are reserved for qualified gunsmiths or the Authorized Product Center Only



EXPLODED VIEW

PATRIOT BOLT ACTION CENTERFIRE RIFLE (FIXED MAGAZINE MODELS)



○ Circled Numbers = Assemblies





NOTES



FIREARMS SAFETY DEPENDS ON YOU. MAKE NO MISTAKE ABOUT IT!

From the time an individual picks up a firearm, that individual shooter becomes a part of a system over which he or she has complete control. He or she is the only part of the system that can make a gun safe – or unsafe. Hunting and target shooting are among the safest of all sports. This booklet is intended to make them even safer – by re-emphasizing and reaffirming the basics of safe gun handling and storage and by reminding each individual shooter that he or she is the key to firearms safety. You can help meet this responsibility by enrolling in hunter safety or shooting safety courses. You must constantly stress safety when handling firearms, especially to children and non-shooters. Newcomers in particular must be closely supervised when handling firearms with which they may not be acquainted. Don't be timid when it comes to gun safety. If you observe anyone violating any safety precautions, you have an obligation to suggest safer handling practices, such as those in this booklet. Please read these rules carefully and follow the safety procedures outlined. Firearms safety is up to you. Make no mistake about it.

- 1. ALWAYS KEEP THE MUZZLE POINTED IN A SAFE DIRECTION**
- 2. FIREARMS SHOULD BE UNLOADED WHEN NOT ACTUALLY IN USE**
- 3. DON'T RELY ON YOUR GUN'S "SAFETY"**
- 4. BE SURE OF YOUR TARGET AND WHAT'S BEYOND IT**
- 5. USE CORRECT AMMUNITION**
- 6. IF YOUR GUN FAILS TO FIRE WHEN THE TRIGGER IS PULLED, HANDLE WITH CARE**
- 7. ALWAYS WEAR EYE AND EAR PROTECTION WHEN SHOOTING**
- 8. BE SURE THE BARREL IS CLEAR OF OBSTRUCTIONS BEFORE SHOOTING**
- 9. DO NOT ALTER OR MODIFY YOUR GUN, AND HAVE GUNS SERVICED REGULARLY**
- 10. LEARN THE MECHANICAL AND HANDLING CHARACTERISTICS OF THE FIREARM YOU ARE USING**

*Courtesy of
Sporting Arms and Ammunition Manufacturers' Institute, Inc.*