



AR/22 Stock Kit w/6-Sided Forend



Warning:

When handling a firearm, always follow the proper handling procedures at all times. Failure to follow these procedures could result in serious damage, injury, or death. WE are not responsible for damage to property, injury, or death resulting from improper installation, misuse or modification of products. If you are not comfortable completing any of the following steps, or do not have the proper tools enlist the help of your local gunsmith. We are not responsible for components that are damaged due to improper installation.

Parts List



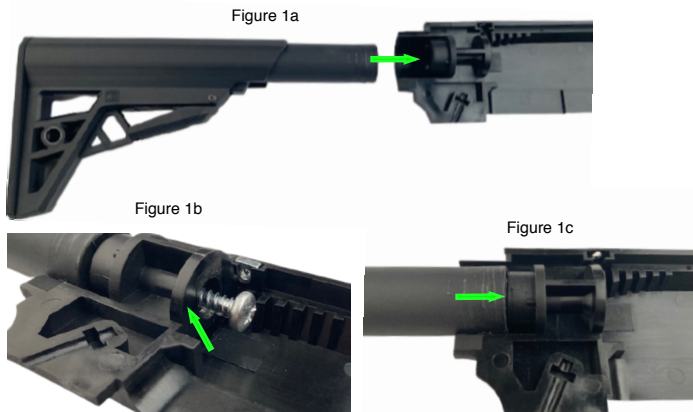
- A. 21" Top Rail
- B. Left/Right Receiver Cover
- C. Left/Right Forend Piece
- D. Stock Assembly
- E. Pistol Grip
- F. Forend Adapter
- G. Forend Nose Cone

Hardware List



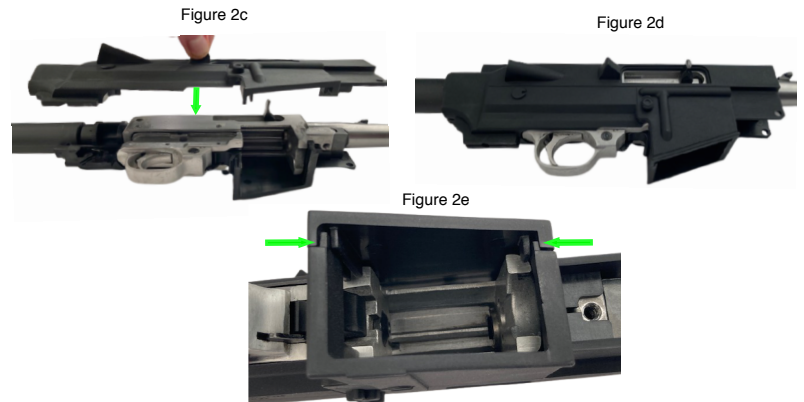
- 1. Screw #14 x 2"
- 2. Screw 10-32 x 1.125"
- 3. Screw 12-24 x 7/8"
- 4. Screw 8-32 x 5/8"
- 5. Screw 8-32 x 1/2" (9)
- 6. Screw 10-32 x 3/8" (2)
- 7. Screw 6-48 x 1/2"
- 8. Screw 6-48 x 1/2"
- 9. Hex Nut 10-32 (2)
- 10. Nut 10-32
- 11. Nut 8-32 (10)

1 Stock Assembly to Receiver Cover Installation



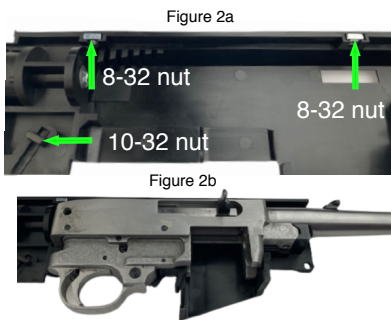
After removing the barreled action from the OEM stock, begin by placing the buffer tube as seen in (Figure 1a) against the left side receiver cover until flush against the tabs. Using a phillips head screw driver and the provided #14 x 2" Phillips head screw (#1) as seen in (Figure 1b) tighten until tube is seated as seen in (Figure 1c).

2 Right Side Receiver Cover Installation Cont.



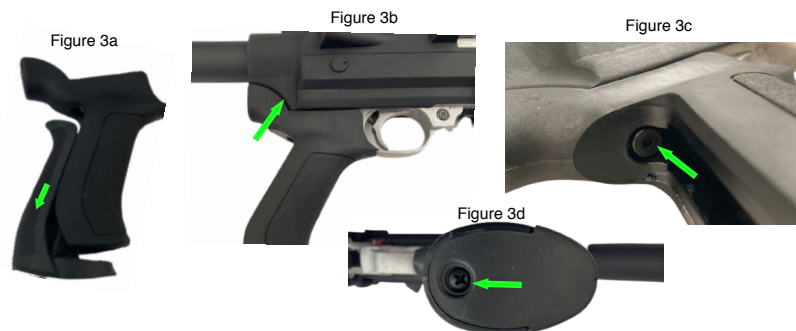
Take the right side receiver cover as seen in (Figure 2c) and place over the 10/22 until seated with the left side receiver cover as seen in (Figure 2d). Make sure the tabs on the inside of the mag well line up as seen in (Figure 2e).

2 Right Side Receiver Cover Installation



Using (2) of the provide 8-32 square nuts (#11) and the provided 10-32 square nut (#10), install into the pockets of the left side receiver cover as seen in (Figure 2a). Next, install the 10/22 barreled action into the left side receiver cover as seen in (Figure 2b).

3 Pistol Grip Installation



To install the pistol grip you will first remove the backstrap by sliding the backstrap off of the grip as seen in (Figure 3a). Next, take the front portion of the grip and seat with the receiver as seen in (Figure 3b) making sure the hole in the back of the grip lines up with the hole in the bottom of the receiver. Using the provided 10-32 x 1.125" socket head cap screw(#2) and a 3/32" allen wrench, tighten the grip to the receiver until seated as seen in (Figure 3c). Next, slide the backstrap onto the grip and until seated and using the provided 6x48x1/2" phillips head screw (# 7) and a phillips head screwdriver tighten the backstrap as seen in (Figure 3d).



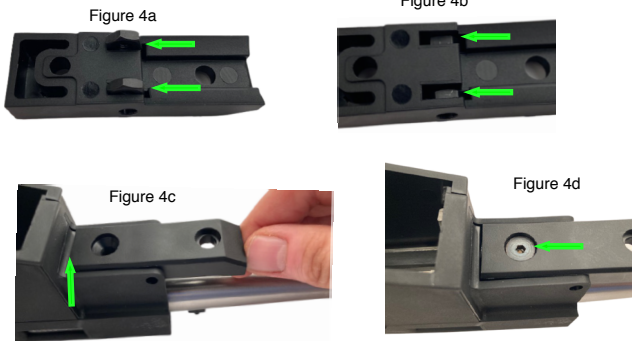
AR/22 Stock Kit w/6-Sided Forend



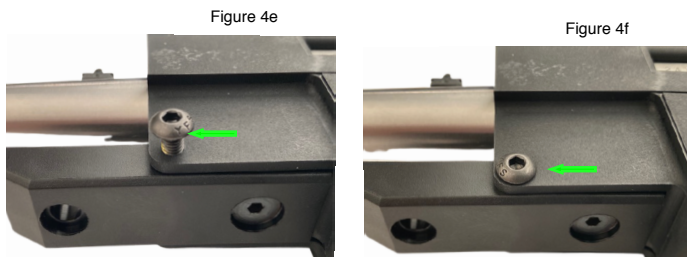
Warning:

When handling a firearm, always follow the proper handling procedures at all times. Failure to follow these procedures could result in serious damage, injury, or death. WE are not responsible for damage to property, injury, or death resulting from improper installation, misuse or modification of products. If you are not comfortable completing any of the following steps, or do not have the proper tools enlist the help of your local gunsmith. We are not responsible for components that are damaged due to improper installation.

4 Forend Bracket Installation

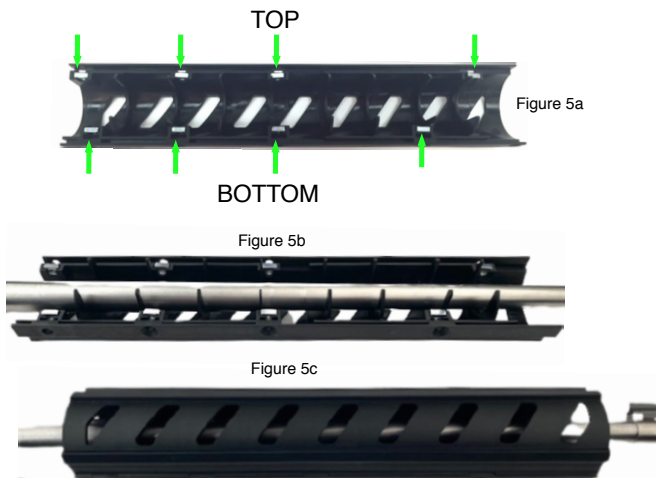


Take the forend bracket and install the (2) provided 10-32 hex nuts (#9) into the pockets as seen in (Figure 4a) until fully seated as seen in (Figure 4b) making sure they line up with the holes on the side of the forend bracket. Next, place the forend bracket between the receiver cover arms as seen in (Figure 4c). Using the provided 12-24 x 7/8" socket head cap screw (#3) and a 1/8" allen wrench tighten the screw until seated as seen in (Figure 4d).



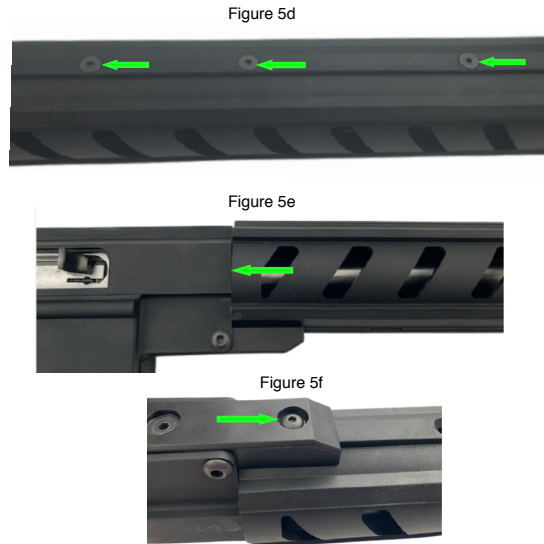
Next, using the provided 10-32 x 3/8" button head cap screw(#6) as seen in (Figure 4e) and a 1/8" allen wrench, tighten into the side of the forend bracket until seated as seen in (Figure 4f). Flip the rifle over and repeat the process on the opposite side.

5 Forend Installation



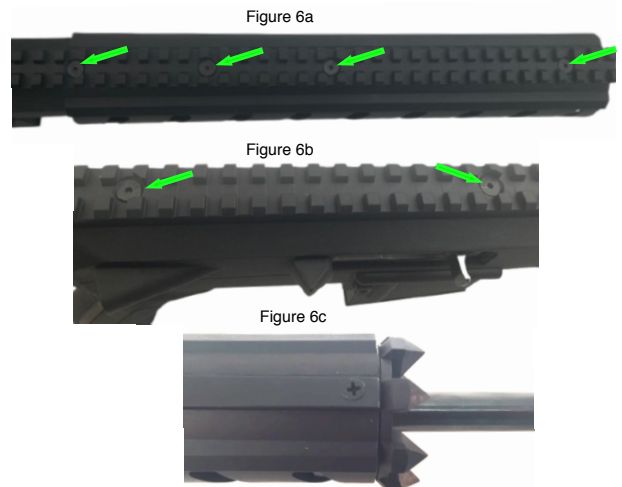
To install the forend, begin by installing (8) provided hex nuts (#11) into the pockets of the left side forend cover as seen in (Figure 5a). Next, place the barrel into the left side forend cover as seen in (Figure 5b). Take the right side forend cover and seat into the left side forend cover making sure the tabs on the right side forend cover line up with the pockets in the left side forend cover until seated as seen in (Figure 5c).

5 Forend Installation Continued



Using (3) provided 8-32 x 1/2" flat head socket cap screws (#5) and a 3/32 allen wrench tighten to the bottom of the forend as seen in (Figure 5d). Next, slide the forend until it is flush against the receiver as seen in (Figure 5e). Using the provided 8-32 x 5/8" button head screw(#4) and a 3/32 allen wrench, tighten the forend bracket to the forend as seen in (Figure 5f).

6 Top Rail & Nose Cone Installation



Install the rail onto the top of the forend and receiver making sure that the holes in the rail line up with the holes in the forend and receiver. Using (6) of the provided 8-32 x 1/2" flat head socket cap screws (#5) and a 3/32 allen wrench tighten the screws over the forend and receiver as seen in (Figures 6a & 6b). To install the nose cone, begin by sliding the cone over the barrel until flush against the forend. Using a 1/8 drill bit, drill slowly into the bottom of forend and into the nose cone. Remove the nose cone and using a 7/32 drill bit, drill through the made hole in the forend to open the hole. Using the provided 6x48/2x1/2" plastite screw (#8) tighten the nose cone to the forend as seen in (Figure 6c).

You're finished.

Now enjoy your New Stock!

Add additional ATI Accessories to your Builds!