



OWNER'S MANUAL

590M™ 12 GA.

PUMP ACTION SHOTGUN WITH
DETACHABLE MAGAZINE

IMPORTANT "SAFETY WARNINGS" - NOTE THE SYMBOL



THESE SAFETY WARNINGS ARE FOR YOUR PROTECTION AS WELL AS THE SAFETY OF OTHERS. DISREGARDING INFORMATION IN THIS MANUAL COULD RESULT IN SERIOUS INJURY OR DEATH TO YOU OR THOSE AROUND YOU.



Be certain this owner's manual is available for reference and is kept with this firearm if transferred to another party. If this manual is lost or misplaced, contact the Product Service Center for a free replacement copy or visit www.mossberg.com.



After performing any work on your firearm such as cleaning, adjustments, disassembly or installation of any accessory, the firearm should be re-checked for proper functioning before firing live ammunition.



Firearms are complex mechanisms. Any modification, alteration, or improper fitting of parts may result in a dangerous malfunction, damage to the firearm, and could cause serious injury or death to you or those around you. The firearm's owner must accept full responsibility for the correct reassembly and functioning of the firearm after any disassembly or replacement of parts.



If you do not understand any of the material in this manual or have any questions, contact the Product Service Center or a qualified gunsmith.



Do not attempt to load, handle or use your Mossberg firearm until you read and understand the information contained in this owner's manual. Before handling your firearm, you should learn how it operates and how to maintain it. This includes knowing its basic parts, how the manual safety and other safety features operate, how to safely open and close the action and how to safely load and unload ammunition from the firearm. Improper use and handling is dangerous and could cause serious injury or death to you or those around you. All users of the firearm must become thoroughly familiar with the instructions in this manual.

O.F. MOSSBERG & SONS, INC.

P.O. BOX 497 • 7 GRASSO AVENUE, NORTH HAVEN, CONNECTICUT 06473

PHONE (800) 363-3555

www.mossberg.com

Safety and safe firearms handling is everyone's responsibility.



As the owner of a firearm, you must undertake the full-time responsibility of safe firearms handling for your own safety and the safety of those around you:

- Keep all firearms and ammunition out of the reach of children.
- Store your firearms and ammunition separately.
- Never store a loaded firearm.
- Never leave a loaded firearm unattended.
- Never transport a loaded firearm in a vehicle.
- Unload your firearm when you have stopped shooting and when you have to climb a tree, fence, cross a slippery surface or have to transport it in a vehicle.
- The safety should remain fully in the “ON” (SAFE) position and the firearm unloaded at all times until you are in a place where it is safe to shoot, keeping your finger off the trigger and outside of the trigger guard until you are aiming at the intended target and have decided to fire.
- Never shoot at water, rocks or any hard surface. Shots may glance off such surfaces and cause injuries.
- Do not use alcohol or drugs before or while handling firearms.
- Do not touch the trigger while the safety is being engaged or disengaged.



Always point the muzzle of your firearm in a safe direction, regardless of whether the firearm is loaded or unloaded. You should become thoroughly familiar with the function and operation of this firearm and the instructions supplied with it.



Always treat every firearm as if it is loaded. Give your firearm to someone with the action open (bolt fully rearward), and the safety fully in the “ON” (SAFE) position. Insist on the same procedure when receiving a firearm from someone else. Learn the location of all the safety features of your firearm and how they operate.



Always wear eye and ear protection when shooting. Shooting without proper ear protection can cause hearing damage. The use of eye protection during any type of shooting is important to protect your vision.



When using a firearm with mounted optics, maintain an adequate distance between the rear of the scope and your face at all times. Be certain the scope installation does not interfere with access to, or the proper functioning of the safety.



We specifically disclaim any responsibility for damage or injury whatsoever occurring in connection with, or as a result of, the use of faulty, or non-SAAMI standard, or “remanufactured” or hand-loaded (reloaded) ammunition. Additionally, we disclaim any responsibility for damage or injury which results from any modifications or changes that are not a part of the firearm as delivered from the factory.



Learn to clean your firearm thoroughly and make certain no oil, grease or other materials are blocking the barrel. Obstructions of any kind can cause damage to the firearm and could cause serious injury or death to you or those around you.

Practice proper firearm maintenance and safety. Make sure all exposed metal surfaces are coated with a thin film of oil, especially after being exposed to damp weather. (See “Cleaning and Lubrication” section of this manual) Do not plug the barrel or store in a fabric-lined case, which will absorb lubricants from the firearm. Before using after storage, follow complete instructions stated in this manual for re-familiarization with the firearm. A thorough inspection and function test should be performed before going into the field. Have your firearm periodically checked by a qualified gunsmith.

A note about the warnings and information contained in this manual:

We strongly suggest that you check with your local licensed retailer or state police for additional information concerning firearms ownership, or hunting or target shooting rules that may be required by local law or regulation. Since such rules and regulations are subject to change, local authorities are in the best position to advise you on such matters.

TABLE OF CONTENTS

	Page
GENERAL INFORMATION AND MECHANICAL CHARACTERISTICS.....	4
MECHANICAL SAFETY.....	5
ACTION RELEASE CONTROL.....	6
REMOVING THE MAGAZINE.....	6
BEFORE LOADING THE FIREARM.....	7
LOADING THE MAGAZINE.....	7
LOADING THE FIREARM.....	8
UNLOADING THE FIREARM.....	9
UNLOADING THE MAGAZINE.....	9
FIRING.....	9-10
DISASSEMBLY.....	10-12
DISASSEMBLING THE MAGAZINE.....	12
CLEANING AND LUBRICATION.....	12-13
REASSEMBLY.....	14-16
FUNCTION TESTING.....	17
SIGHT ADJUSTMENTS.....	18
PISTOL GRIP INSTALLATION.....	19
+4 SHELL HOLDER STOCK.....	20
HEAT SHIELD.....	21
DUAL-COMB® TROPHY STOCK.....	22
SERVICE INSTRUCTIONS.....	23
WARRANTY INFORMATION.....	24
EXPLODED VIEW AND PARTS LIST.....	25
NOTES.....	26-27
THE BASIC RULES OF FIREARM HANDLING.....	BACK COVER

Prop. 65 Warning for California Residents



WARNING: This product can expose you to chemicals, including lead, which are known to the State of California to cause cancer and birth defects or other reproductive harm. For more information go to www.P65Warning.ca.gov.

GENERAL INFORMATION AND MECHANICAL CHARACTERISTICS

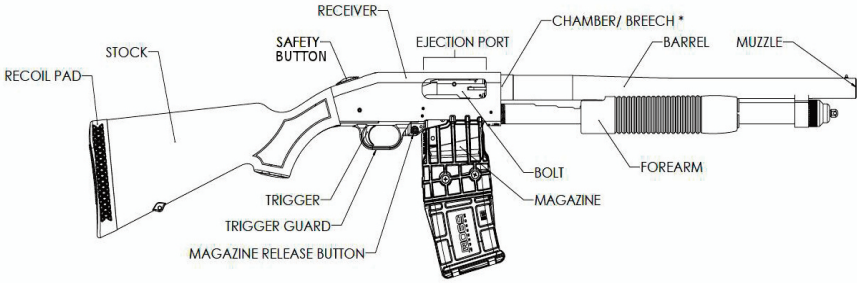


Fig. 1

*The chamber is the rearmost part of the inside of the barrel. The breech is the rear face of the barrel. They can only be seen when the bolt is in the “open” position.



WARNING

Removal of the magazine will not unload the firearm! Removing the magazine will not remove any shotshell which is in the firearm’s chamber! A shotshell in the firearm’s chamber can still be fired, even after the firearm’s magazine has been removed! After you remove the magazine always visually and physically inspect the chamber and receiver to ensure the firearm is completely unloaded!

FIREARM WILL FIRE WITH MAGAZINE REMOVED.



Read and understand this entire manual and its safety warnings before firing the firearm.

MECHANICAL SAFETY

The safety button is located on the top rear portion of the receiver (Fig. 2) and must be manually moved to the desired position by the shooter.



Remember, a firearm's manual safety is a mechanical device which can never replace safe firearm handling practices.



Because any mechanical device can fail, never rely on any mechanism or safety device to prevent the dangers of careless handling or pointing a firearm in an unsafe direction.

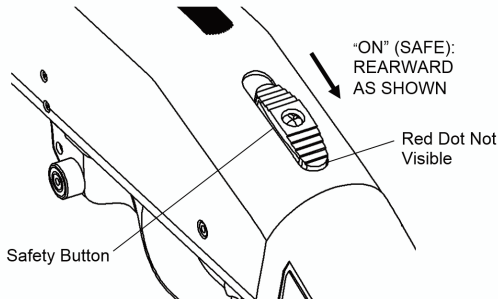


Fig. 2

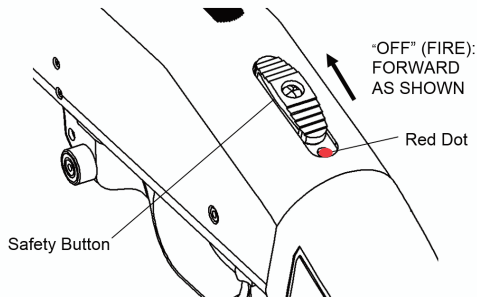


Fig. 3



The safety is set in the "ON" (SAFE) position by moving the safety button fully rearward into the safety detent. The button will now cover the red dot (Fig. 2). The red dot is a training aid used only to show the direction of the "ON" (SAFE) position and should not be used as an indicator that the safety is "ON" or "OFF."



The safety is set in the "OFF" (FIRE) position by moving the safety button to the forward position. The red dot will now be visible (Fig. 3).



The safety should remain fully rearward in the "ON" (SAFE) position and the firearm unloaded at all times until you are in a place where it is safe to shoot, keeping your finger off the trigger and outside of the trigger guard until you are aiming at the intended target and have decided to fire.

ACTION RELEASE CONTROL

The action lock lever is located on the left side of the trigger housing just rearward of the trigger guard. The action lock lever allows the action to be unlocked and opened for inspection of the chamber and action or unloading without pulling the trigger. The action may be opened by depressing the lever and pulling the forearm rearward (Fig. 4).

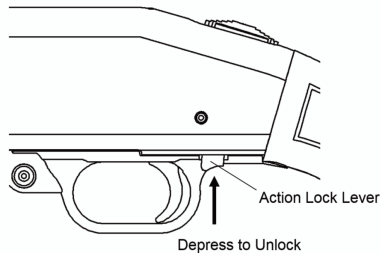


Fig. 4

REMOVING THE MAGAZINE



WARNING

Removal of the magazine will not unload the firearm! Removing the magazine will not remove any shotshell which is in the firearm's chamber! A shotshell in the firearm's chamber can still be fired, even after the firearm's magazine has been removed! After you remove the magazine **always** visually and physically inspect the chamber and receiver to ensure the firearm is completely unloaded!

FIREARM WILL FIRE WITH MAGAZINE REMOVED.

This firearm is equipped with a removable magazine. The magazine can be removed with the action in the open or closed position. Remove the magazine by depressing the magazine release button on either the left or right side of the receiver (Fig. 5) while grasping and rotating the magazine forward, pull it away from the firearm. Familiarize yourself with the firearm by installing and removing an **unloaded** magazine.

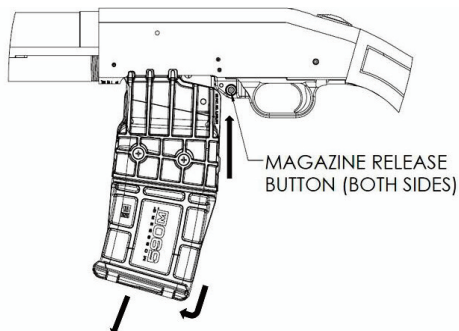


Fig. 5

BEFORE LOADING THE FIREARM



Before loading, move the safety button fully rearward to the “ON” (SAFE) position.



Before loading, with the bolt in the open position, visually and physically inspect the chamber and bore of the barrel for any obstruction, excessive oil or grease. (The chamber is the rear portion of the barrel which will contain the shotshell.) Obstructions of any kind can cause damage to the firearm and could cause serious injury or death to you or those around you.



During loading never allow fingers or any objects to contact the trigger. Keep the muzzle pointed in a safe direction at all times.



Do not load the firearm until ready for use! Unload firearm when shooting has been completed! The safety button should always be fully rearward in the “ON” (SAFE) position whether the firearm is loaded or not.



Check to be certain that the correct ammunition has been selected for use. Ensure it is the same gauge and length shotshell as designated on the **LEFT** side of the barrel.



This firearm is capable of firing a chambered shotshell with the magazine empty, without the magazine inserted or if the magazine is dislodged from its locked position.

LOADING THE MAGAZINE



Check to be certain that the correct ammunition has been selected for use. Ensure it is the same gauge and length shotshell as designated on the **LEFT** side of the barrel.

590M™ magazines should be loaded with 12 gauge 2-3/4” shotshells only. The capacity will be noted on the side of the magazine.

The magazine should be loaded before inserting it into the firearm. Remove it from the firearm as described in the “Removing the Magazine” section of this manual.

Load the magazine by inserting one shotshell at a time. Press down against the follower and then push the shotshell fully rearward until the shotshell is fixed between the magazine “lips” (Fig. 6). Repeat the operation until the magazine has reached its full capacity, or until the desired number of shotshells have been loaded.

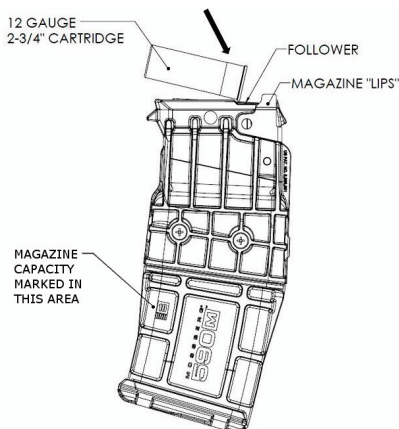


Fig. 6

LOADING THE FIREARM



Point the muzzle in a safe direction and ensure the safety button is positioned fully rearward in the “ON” (SAFE) position. Open the action by depressing the action lock lever and pulling the forearm fully rearward.

Insert the magazine into the firearm by hooking the magazine hook (on the magazine) onto the magazine retainer (in the receiver) and rotate it until it is retained by the magazine catch (Fig. 7). Pull on the magazine to make sure that it is firmly locked in place.

Close the action by pushing the forearm fully forward. The bolt will push one shotshell from the magazine into the chamber. The firearm is now loaded.

If desired or necessary, the firearm can be single loaded with a shotshell directly into the chamber. Point the muzzle in a safe direction and ensure that the safety button is positioned fully rearward in the “ON” (SAFE) position. Open the action by depressing the action lock lever and pulling the forearm fully rearward with an empty magazine or with the magazine removed. Insert a shotshell directly into the chamber and close the action by pushing the forearm fully forward.

The firearm is ready for firing as soon as the safety button is moved forward to the “OFF” (FIRE) position.



The firearm is now loaded and will fire if the trigger is pressed whether the magazine is in the firearm or not.

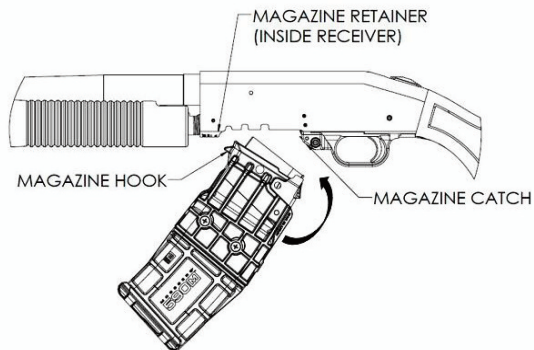


Fig. 7



To minimize the risk of unintended firing, the safety button should remain fully rearward in the “ON” (SAFE) position and the firearm unloaded at all times until you are in a place where it is safe to shoot, keeping your finger off the trigger and outside of the trigger guard until you are aiming at the intended target and have decided to fire.

UNLOADING THE FIREARM



Move the safety button fully rearward to the “ON” (SAFE) position. During unloading, never allow fingers or any other objects to contact the trigger. **KEEP THE MUZZLE POINTED IN A SAFE DIRECTION AT ALL TIMES.**

Remove the magazine by depressing the magazine release button on either the left or right side of the receiver, while grasping and rotating the magazine forward, pull it away from the firearm. Depress the action lock lever and pull the forearm fully rearward, this should extract a loaded shotshell from the chamber.



After unloading always visually and physically inspect the chamber, receiver and magazine to make sure that all of the shotshells have been removed.

UNLOADING THE MAGAZINE

Hold the magazine in one hand, bottom down and front end forward. Push the shotshell forward and allow the front end of the shotshell to rise slightly upward until it is released from the magazine. Repeat until magazine is unloaded.

FIRING



Use of this product, including discharging firearms in poorly ventilated areas, cleaning firearms, or handling ammunition can result in exposure to chemicals, including lead, which are known to the state of California to cause serious physical injury, including cancer, birth defects or other reproductive harm. For more information, go to www.P65Warnings.ca.gov.

Have adequate ventilation at all times and wash hands thoroughly after exposure.

With the firearm pointed in a safe direction, held in the proper firing position, keep your finger off the trigger and outside the trigger guard until you are aiming at the intended target and have decided to fire. Move the safety button forward to the “OFF” (FIRE) position. Once you intend to shoot, pulling the trigger through its full travel to the rear will fire the firearm.

As the firearm is designed as a pump action, it is mandatory to fully cycle the action after each shot. Pull the forearm fully rearward to extract and eject the spent shotshell and to release a new shotshell from the magazine, then push the forearm fully forward to chamber the new shotshell.

To interrupt shooting and unload the firearm, keep the firearm pointed in a safe direction, move the safety button fully rearward to the “ON” (SAFE) position, remove the magazine, depress the action lock lever and pull the forearm fully rearward to extract and eject the shotshell from the chamber.



As a safety procedure, every time shooting is interrupted or the firearm is unloaded, move the safety button fully rearward to the “ON” (SAFE) position, depress the action lock lever, pull the forearm fully rearward and leave the bolt in the open position. Always visually and physically inspect the chamber, receiver, and magazine to make sure that all shotshells have been removed.



Should a shotshell fail to fire after pulling the trigger, move the safety button fully rearward to the “ON” (SAFE) position, keep the firearm pointed in a safe direction for at least 30 seconds in case of a “hangfire” (delayed firing of the shotshell after being struck by the firing pin). Then remove the magazine (as it may still have loaded shotshells), pull the forearm fully rearward and extract and eject the misfired shotshell. Segregate the misfired shotshell from other ammunition. Do not attempt to refire a misfired shotshell.



If at any time during firing, the sound of any given shotshell is noticeably louder or softer than previous shotshells fired, STOP! Do not load or fire additional shotshells until you have safely unloaded your firearm, moved the safety button fully rearward to the “ON” (SAFE) position and inspected it for possible damage or obstruction in the chamber or bore. (The bore is the inside surface of the barrel.) Firing the firearm with a bore obstruction can cause damage to the firearm and could cause serious injury or death to you or those around you.

If the need to inspect your firearm for possible damage or obstructions in the chamber or bore arises, keep the muzzle pointed in a safe direction. Remove the magazine (as it may still have loaded shotshells in it) while keeping the ejection port and magazine well opening of the firearm turned away from your face (to protect your eyes in the event a defective shotshell explodes). Depress the action lock lever, pull the forearm fully rearward and leave the bolt in the open position. Visually and physically inspect the chamber and receiver to make sure that all of the shotshells have been removed. After unloading, inspect your firearm for possible damage or obstructions in the chamber or bore.

DISASSEMBLY



Move the safety button fully rearward to the “ON” (SAFE) position. Depress the action lock lever, pull the forearm fully rearward and leave the bolt in the open position. Visually and physically inspect the chamber, receiver and magazine to make sure that all of the shotshells have been removed before disassembling the firearm. Always wear eye protection during disassembly and cleaning.

During disassembly/reassembly reference the “Exploded View” section of this manual for labeled and listed parts contained within this firearm.

Remove the magazine, see “Removing The Magazine” section of this manual.

Depress the action lock lever and open the action by sliding the forearm fully rearward.

Move the forearm slowly forward from the fully rearward position until the front of the bolt is in the middle of the ejection port.

Remove the magazine cap by turning it counterclockwise until the cap threads are completely disengaged from the end of the guide tube (Fig. 10).

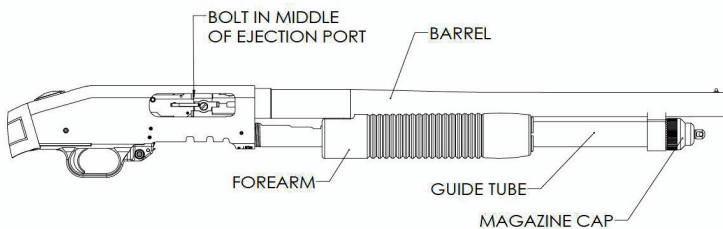


Fig. 8

Remove the barrel with a gentle back-and-forth rotational movement while pulling the barrel out of the receiver assembly.

Using a small punch, no larger than 3/32", push out the two magazine catch pins. Remove the magazine catch by first rotating it away from the trigger guard and then pull it out of the receiver (Fig. 9).

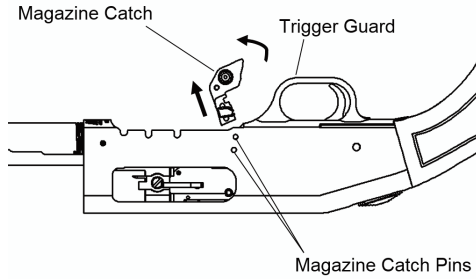


Fig. 9

Using a small punch, no larger than 1/8", push out the trigger housing pin. Remove the trigger housing by pulling it straight out of the receiver (Fig. 10).

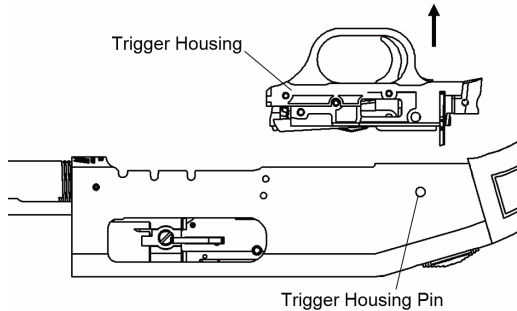


Fig. 10

The trigger housing assembly is a complex assembly and must not be disassembled. Disassembly should only be performed at an authorized Product Service Center or by a qualified gunsmith.



Do not pull the trigger and allow the hammer to fall when the trigger housing assembly is removed from the receiver. To do so may result in personal injury and/or damage to the assembly.

Move the forearm/action slide assembly rearward so that the bottom of the bolt slide is aligned with the clearance cut in the sides of the receiver. Rotate the back end of the bolt slide up and then lift the bolt slide upward and out of the receiver (Fig. 11).

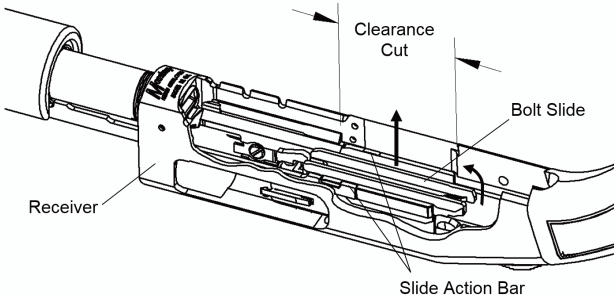


Fig. 11

Remove the bolt assembly by sliding it forward to the front end of the receiver, lift the back end of the bolt up and pull it out of the receiver (Fig. 12).

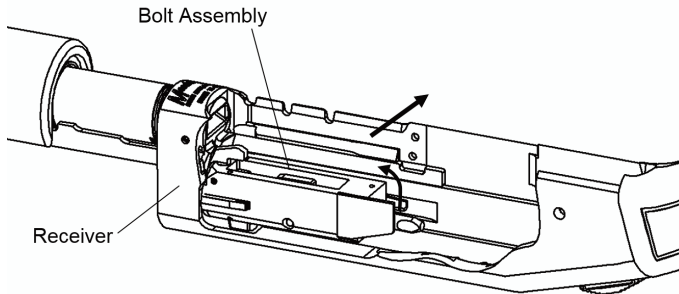


Fig. 12

Remove the forearm/action slide assembly by sliding it forward and off the guide tube.



Field disassembly is now complete! The firearm should not be disassembled further for routine cleaning and maintenance. Further disassembly should only be performed at an authorized Product Service Center or by a qualified gunsmith.

DISASSEMBLING THE MAGAZINE



Always wear eye protection when disassembling and reassembling the magazine.

To disassemble the magazine, use a 1/8" punch to depress and hold down the button located on the bottom cover of the magazine. Slide the bottom cover off the magazine while maintaining hand pressure over it. Slowly release the springs pressure and remove the floor plate, spring and follower from the magazine.

During disassembling the magazine take note of internal components orientation to aid in reassembly. See "Reassembling The Magazine" section of this manual for reassembly.

CLEANING AND LUBRICATION

With proper maintenance and care, your firearm will provide you with years of dependable service. Your firearm should be inspected and cleaned after every 200 rounds to ensure that it remains in good condition. However, unusually dusty, dirty, or harsh weather conditions, or use of dirty ammunition which leaves significant powder residue may necessitate more frequent cleaning.

Clean and lubricate your firearm as soon as possible after use. This is especially important if your firearm has been exposed to moisture. For maximum performance and continued satisfaction with your firearm, periodic cleaning and lubrication are essential. Always wear eye protection during cleaning and lubrication.

Use the instructions and equipment provided with a quality firearm cleaning kit.

Normal use requires only that the mechanisms be free of excessive shooting residue. Very little lubrication other than a light oiling of internal and external surfaces to prevent rusting is needed.

If the firearm is to be stored for a long period of time, it should be thoroughly cleaned and oiled. Do not plug the barrel or store in a fabric-lined case that will absorb lubricant from the firearm, as this may result in corrosion to the unprotected metal surfaces.

BARREL CLEANING

Scrub bore and chamber with solvent and follow with cleaning patches until barrel is clean. A final pass with a lightly oiled patch will provide a protective coating. A stiff brass bristle brush is useful for removing stubborn deposits.

ACTION CLEANING

Clean all components of the action including the bolt, bolt slide and action slide bars to remove accumulated residue. An evaporating solvent should be used. Action parts will remain cleaner longer if lubrication is used sparingly.

RECEIVER CLEANING

Clean the inside of receiver with a rag or soft brush, giving special attention to the tracks which guide the bolt and bolt slide. Place a few drops of light oil in these tracks when clean. Care should be taken when cleaning the exterior surfaces of the receiver to prevent cosmetic damage. Never use a brush with metal bristles, as this could remove the protective coating on the receiver.

TRIGGER HOUSING CLEANING

Brush loose residue from the trigger housing with a soft bristle brush. Never use a brush with metal bristles, as this could remove the protective coating on the trigger housing.



Do not pull the trigger and allow the hammer to fall when the trigger housing assembly is removed from the receiver. To do so may result in personal injury and/or damage to the assembly.



Make sure the barrel and receiver are free of obstructions and excessive lubricant after cleaning. Be sure not to leave cleaning patches or excessive oil or grease in the bore as they can create dangerous obstructions. Obstructions of any kind can cause damage to the firearm and could cause serious injury or death to you or those around you.



Camouflage firearms: Caution should be exercised to avoid exposure of camouflage patterns to solvents or insect repellants.

REASSEMBLY

Place the receiver with the trigger housing opening upwards on a clean surface.

Check to be certain that the safety button is fully rearward in the "ON" (SAFE) position.

Slide the forearm assembly onto the guide tube while guiding the action bars into the corresponding cuts in the front of the receiver (Fig. 13).

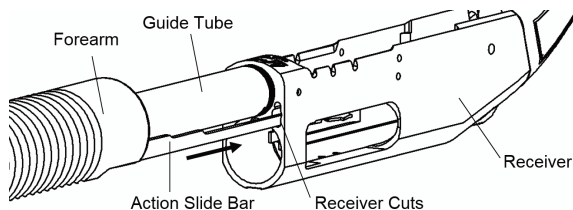


Fig. 13

Insert the bolt assembly, with its bolt lock downwards, at an angle into the receiver, place the front of the bolt at the front of the receiver and then rotate the back of the bolt down into the receiver. Slide the bolt towards the back of the receiver, lining up the ejector with the ejector slot on the side of the bolt (Fig. 14).

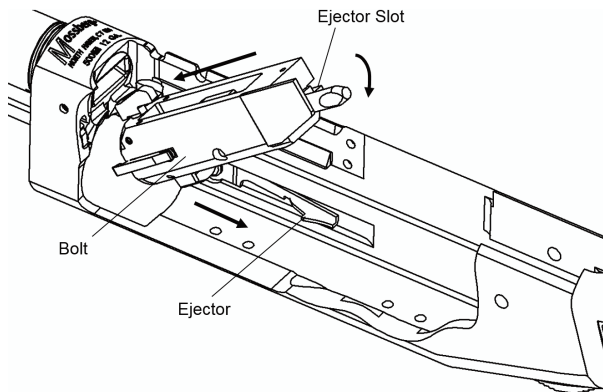


Fig. 14

Position the action slide bars so the slot on the bars is even with the cuts on the inside of the receiver walls. Position the bolt so that the hook on the bottom of the bolt lock is approximately in the middle of the action slide bar slots (Fig. 15).

The bolt slide should be positioned with the three slotted side facing up, with the notch to the rear.

Assemble the bolt slide, lowering the front of the bolt slide first. The bolt slide protrusion fits into the corresponding cut on the bottom of the bolt lock, while the two protrusions on each side of the bolt slide fit into the action slide bar slots (Fig. 15).

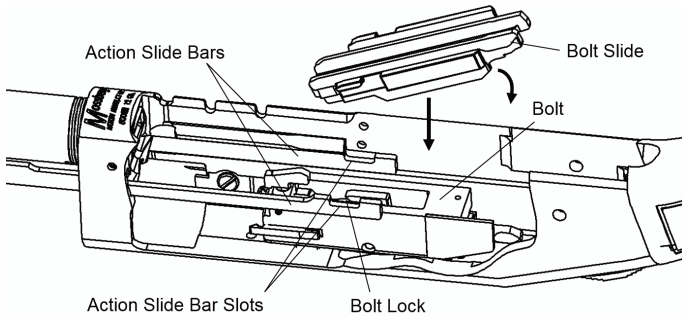


Fig. 15

Insert the trigger housing assembly into the receiver. Align the trigger housing pin hole in the housing assembly with that in the receiver. Insert the trigger housing pin and push in fully until flush with the side of the receiver (Fig. 16).

NOTE: Hammer must be in the fully-cocked position to allow the trigger housing to be inserted in the receiver.

NOTE: If the trigger housing does not fit into place easily, check that all internal trigger housing pins are flush with the side of the housing.

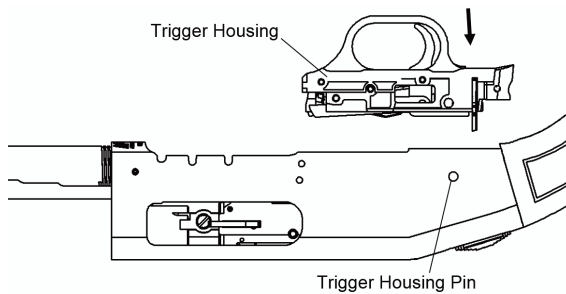


Fig. 16

Insert the magazine catch into the receiver in front of the trigger guard at a slight angle with the contoured side facing the trigger guard. Rotate the magazine catch toward the trigger guard until the contoured edge touches the trigger guard bow. Align the two holes in magazine catch with those in receiver. Insert the magazine catch pins and push in fully until flush with the side of the receiver (Fig. 17).

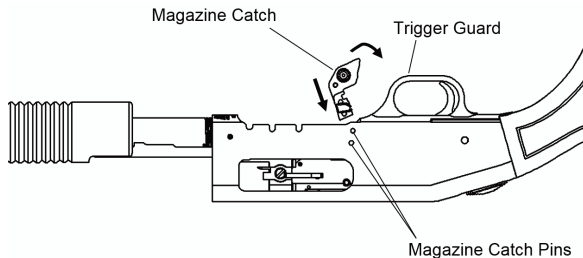


Fig. 17

Slide the barrel into the receiver and tighten the magazine cap, finger tighten only (Fig.18). DO NOT use pliers or a wrench to tighten the magazine cap.

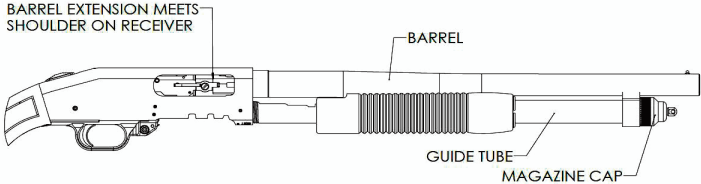


Fig. 18



Check to be certain that the barrel is fully seated into the receiver by looking through the ejection port. The barrel extension must rest firmly against the corresponding shoulder in the top of the receiver.



590M™ barrels are not interchangeable with non-590M™ barrels. Non-590M™ barrels will not properly seat within the receiver and the firearm will be unable to fire.

REASSEMBLING THE MAGAZINE



Always wear eye protection when disassembling and reassembling the magazine.

To reassemble the magazine, insert the follower, spring and floor plate back into the magazine. While maintaining hand pressure over the floor plate, slide the bottom cover back onto the magazine until it snaps into place(Fig. 19).

Verify correct function of reassembled magazine prior to use in the field.

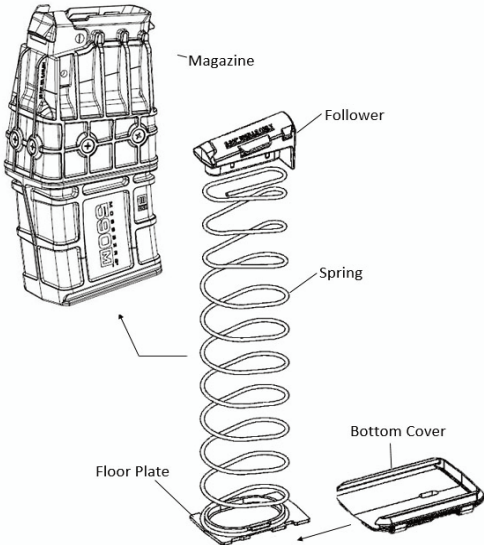


Fig. 19

FUNCTION TESTING



AFTER PERFORMING ANY WORK ON YOUR FIREARM SUCH AS CLEANING, DISASSEMBLY OR INSTALLATION OF ANY ACCESSORY, CHECK YOUR FIREARM FOR PROPER FUNCTIONING BEFORE FIRING ANY LIVE AMMUNITION.

- a. Move the safety button fully rearward to the “ON” (SAFE) position and keep muzzle pointed in a safe direction.
- b. Open the action, visually and physically check chamber, receiver and magazine to be certain the firearm is unloaded.



KEEP THE MUZZLE POINTED IN A SAFE DIRECTION AT ALL TIMES THROUGHOUT THE FOLLOWING STEPS! FAILURE TO DO SO COULD RESULT IN SERIOUS INJURY OR DEATH IF THE FIREARM HAS NOT BEEN PROPERLY UNLOADED AND FIRES WHILE YOU ARE TESTING ITS FUNCTION!

Depress and hold the action lock lever. Open and close the action several times to check for free movement of the action assembly.

Close the action by moving the forearm fully forward and leave the safety button in the “ON” (SAFE) position. Pull the trigger fully rearward. The hammer should not fall (No Fire).

Remove your finger from the trigger. Move the safety button to the “OFF” (FIRE) position. The hammer should not fall (No Fire).

Leave the safety button in the “OFF” (FIRE) position.

Pull the trigger rearward. The hammer should fall (Fire).

Open the action by moving the forearm fully rearward. Move the safety button fully rearward to the “ON” (SAFE) position.



IF YOUR FIREARM DOES NOT PERFORM AS DESCRIBED IN ANY OF THE ABOVE STEPS, CONTACT THE FACTORY AUTHORIZED PRODUCT SERVICE CENTER IMMEDIATELY. DO NOT ATTEMPT TO USE THE FIREARM.



Firearms are complicated mechanisms. Any modification, alterations, or improper fitting of parts may result in a dangerous malfunction, damage to the firearm and could cause serious injury or death to you or those around you. The firearm’s owner must accept full responsibility for the correct reassembly and functioning of the firearm after any disassembly or replacement of parts.

SIGHT ADJUSTMENTS



BEFORE MAKING ANY SIGHT ADJUSTMENTS:

- a. Move the safety button fully rearward to the “ON” (SAFE) position and keep muzzle pointed in a safe direction.
- b. Open the action, visually and physically check chamber, receiver and magazine to be certain the firearm is unloaded.

GHOST RING™ SIGHT ADJUSTMENTS

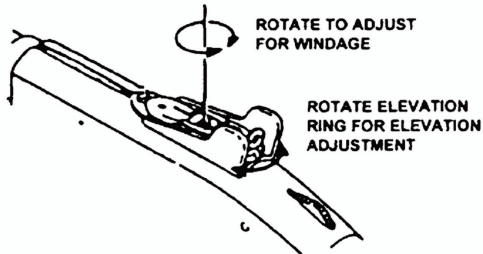


Fig. 22

PISTOL GRIP INSTALLATION



BEFORE PERFORMING ANY DISASSEMBLY OR ASSEMBLY PROCEDURE:

- a. Move the safety button fully rearward to the “ON” (SAFE) position and keep muzzle pointed in a safe direction.
- b. Open the action, visually and physically check chamber, receiver and magazine to be certain the firearm is unloaded.

To Remove Buttstock:

Loosen the top screw holding the recoil pad on stock. Note: Use cross recess screw driver (“Phillips”-style).

Loosen and remove the bottom recoil pad screw.

Swing the recoil pad around the top screw which will allow access to the stock bolt through the stock bolt hole.

Check stock bolt head configuration. Some models use a slotted head, others use a 1/2 in. hex head.

Loosen and remove stock bolt by turning it counterclockwise. The stock may now be removed from the receiver.

Installation of Pistol Grip:

Align mounting hole in pistol grip with threaded hole in rear of the receiver.

Slip washers on bolt. Insert bolt through pistol grip into hole in receiver. Finger tighten bolt to ensure threads are properly engaged. If you encounter difficulty, unscrew bolt and repeat procedure.

Using hex wrench supplied, tighten bolt snugly.

To install the swivel stud, screw it into the hole on the left hand side of the pistol grip until tight. The swivel stud is self-tapping. Align the swivel stud through-hole to the desired position. Use caution not to over-tighten the swivel stud as this may strip the threads in the pistol grip.

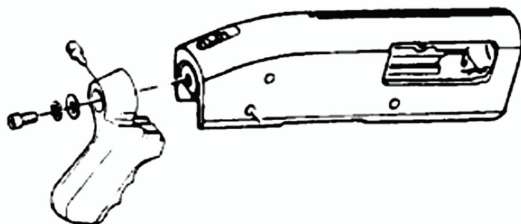


Fig. 23



Upon firing, recoil force will cause the firearm to move rearward and upward. Never hold the firearm at eye level and attempt to sight down the barrel. To avoid possible injury, grip the firearm securely with one hand on the forearm and one hand on the pistol grip. Pistol grip models are designed to be held at waist level when firing.

+ 4 SHELL HOLDER STOCK



BEFORE CLEANING OR REMOVING THE +4 SHELL HOLDER STOCK:

- Move the safety button fully rearward to the “ON” (SAFE) position and keep muzzle pointed in a safe direction.
- Open the action, visually and physically check chamber, receiver and magazine to be certain the firearm is unloaded.

The stock springs and followers should be removed periodically and the tubes and parts cleaned to remove debris. Do not lubricate these parts.



The recoil pad on the +4 Shell Holder Stock is under spring pressure. Remove rounds from storage tubes to minimize the spring pressure. Use caution when removing recoil pad screws to prevent injury to yourself or others around you.

Loosen and remove the two recoil pad screws by turning them counterclockwise.

Remove the recoil pad, springs and plastic followers. Place on a clean dry surface.

To Reassemble:

Insert one plastic follower into each magazine tube in the stock. Orientate the top follower with “T” on top and the bottom follower with “B” on top (Fig. 24). Be sure the hollow portion of the follower is facing toward the rear of the stock.

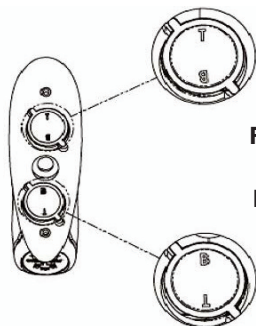
Insert one spring in each of the two magazine tubes. The springs will fit inside the cupped end of the followers inserted in the previous step.

Screw the recoil pad screws into the recoil pad until the screw points come through the opposite side about 1/8 of an inch. Place the pad against the springs so that the end of each spring rests against the recessed area on the pad.

Compress the springs into the magazine tubes by pushing the pad flush against the stock. Adjust the pad until you feel the points of the screws fit into the pre-drilled holes in the stock.

While maintaining pressure on the pad, tighten the recoil pad screws securely. Do not overtighten screws.

Check for free movement of the followers by pushing them into the magazine tube with your finger and allowing them to snap back into position under spring pressure.



FOLLOWER ORIENTATION DETAIL

TOP FOLLOWER, “T” ON TOP
BOTTOM FOLLOWER, “B” ON TOP

Fig. 24

HEAT SHIELD



BEFORE PERFORMING ANY DISASSEMBLY OR ASSEMBLY PROCEDURE:

- a. Move the safety button fully rearward to the “ON” (SAFE) position and keep muzzle pointed in a safe direction.
- b. Open the action, visually and physically check chamber, receiver and magazine to be certain the firearm is unloaded.

NOTE: Ghost Ring sight models come from the factory with the heatshield installed. It is not recommended that the heatshield be removed.

Heat Shield Disassembly (Bead Sight):

Follow barrel removal procedures as described in the “Disassembly” section of this manual.

Carefully remove front sight by turning it counterclockwise. Take precautions to ensure you do not damage the barrel finish or front sight.

Using a 7/64” hex key wrench and a 5/16” open end or box wrench, remove the clamp screws holding the heat shield in place.

Slide the heat shield off the barrel from the muzzle end.

Reinstall front sight.

Follow barrel assembly procedures as described in the “Reassembly” section of this manual.

Heat Shield Assembly (Bead Sight):

Follow barrel removal procedures as described in the “Disassembly” section of this manual.

Carefully remove front sight by turning it counterclockwise. Take precautions to ensure you do not damage the barrel finish or front sight.

Slide heat shield onto barrel from the muzzle end. The large ring on heat shield must be positioned toward the rear of barrel.

With the heat shield on the barrel, use a small padded “C” clamp or a vise, to close the forward clamp of the heat shield.

Position the plastic spacer between the forward clamp. Insert the two screws and start the two hex nuts on the screws using a 7/64” hex key wrench and a 5/16” open end or box wrench. **DO NOT FULLY TIGHTEN THE TWO SCREWS YET.**

Follow barrel assembly procedures as described in the “Reassembly” section of this manual.



When securing heat shield, the barrel must be attached to the shotgun. Barrels with heat shield secured are not interchangeable without proper refitting of the heat shield to firearm as described in the above procedure.

Make sure the magazine cap is secure and the barrel is fully seated before proceeding to the next step.

Position heat shield so that the rear (large ring) butts up against the front of the receiver.

Using a 7/64" hex key wrench and a 5/16" open end or box wrench, tighten the clamp screws to securely hold the heat shield in place. **DO NOT OVERTIGHTEN THE SCREWS.**

Reinstall front sight.



Whenever the heat shield barrel is installed on the shotgun, repeat the above steps to ensure that the shield is not preventing the barrel from being seated fully.

DUAL-COMB® TROPHY STOCK



BEFORE PERFORMING ANY DISASSEMBLY OR ASSEMBLY PROCEDURE:

- a. Move the safety button fully rearward to the "ON" (SAFE) position and keep muzzle pointed in a safe direction.
- b. Open the action, visually and physically check chamber, receiver and magazine to be certain the firearm is unloaded.

To Change Removable Combs:

Using a 3/16 inch hex key wrench (supplied) unscrew and remove the comb retaining screw found at the top center of the removable comb.

Place the desired comb into position. Insert the comb retaining screw and snug-tighten. Do not overtighten as this will damage the internal assembly components.

SERVICE INSTRUCTIONS

Should your firearm or any component of your firearm require service, ship your entire firearm (please do not send components only), via your chosen carrier, postage paid (we do not accept C.O.D. shipments), following these instructions:

Repairs in the U.S.

For faster repair service, please start the process by filling out our Service Request Form online at <http://www.mossberg.com/service> prior to shipping your firearm.



- **Make absolutely certain your firearm is unloaded.**
- **Do not send ammunition with your firearm.**
- Remove all accessories from your firearm such as scopes, slings, scope mounts, etc.
- Ship your firearm in a suitable container, packaging it securely to prevent parts from shifting and/or damage during shipping.
- Include a note with a clear description of the service you wish us to perform, your complete return shipping address (no P.O. boxes please), your daytime telephone number and your e-mail address (if available).
- It is advisable to place your correspondence inside your shipping container when shipping.

SHIPPING ADDRESS

Mossberg Product Service Center
1001 Industrial Blvd.
Eagle Pass, TX 78852

If you have any service related questions, please contact the Product Service Center at (800) 363-3555 or service@mossberg.com

TO ORDER PARTS

To order parts from the Product Service Center, you can fax, phone, email, or mail your order to one of the below numbers/addresses.

Fax Number: (203) 230-5420

Phone Number: (800) 363-3555

E-mail Address: service@mossberg.com

Mailing Address: Mossberg Product Service Center
1001 Industrial Blvd.
Eagle Pass, TX 78852
Attn: Order Department

Please provide your name, address, city, state, zip, your daytime phone number and e-mail (if available). The Product Service Center will need the Model Number, Serial Number, Gauge/Caliber, Finish, Item Number, and Part Name. There is a \$7.50 (U.S.) minimum parts order charge. Most major credit cards, money orders, and bank drafts are accepted.

Service outside of the U.S.A.

For Mossberg firearm parts and service requirements outside of the United States, customers are requested to contact the closest Mossberg stocking dealer/distributor.

MOSSBERG® WARRANTY
MOSSBERG 590M™
FIVE (5) YEAR LIMITED WARRANTY

Limited Warranty: O.F. Mossberg & Sons, Inc. ("Mossberg") warrants to you, the original retail purchaser of a new Mossberg 590M™ Shotgun (the "Mossberg firearm"), that the Mossberg firearm will be free of defects in material or manufacture for a period of five (5) years from the date of your purchase of the new Mossberg firearm (the "Warranty Period") in the United States or Canada. This is the only express warranty on the Mossberg firearm. MOSSBERG MAKES NO OTHER WARRANTIES OF ANY KIND OR CONDITIONS, INCLUDING, BUT NOT LIMITED TO ANY IMPLIED WARRANTY OF MERCHANTABILITY OR FITNESS FOR A PARTICULAR PURPOSE. This Limited Warranty gives you specific legal rights, and you may have other rights that vary from State to State.

Purchaser's Remedy: During the Warranty Period, Mossberg will, at its sole option, (1) repair the Mossberg firearm or any part thereof that, upon examination and testing by Mossberg, does not conform to the Limited Warranty without charge to you for parts or labor, or (2) replace the Mossberg firearm with a new or similar model. THIS REMEDY SHALL BE YOUR EXCLUSIVE AND SOLE REMEDY FOR ANY BREACH OF WARRANTY. MOSSBERG SHALL NOT BE RESPONSIBLE FOR ANY OTHER EXPENSES, LOSSES OR INCONVENIENCE THAT YOU MAY SUSTAIN AS A RESULT OF THE PURCHASE, USE, MALFUNCTION OR DEFECTIVE CONDITION OF THE MOSSBERG FIREARM. Mossberg reserves the right to inspect, examine and/or test the Mossberg firearm to assess any claim made under the Limited Warranty.

EXCLUSIONS: THIS WARRANTY DOES NOT COVER THE COSMETIC APPEARANCE OF THE MOSSBERG FIREARM OR ANY DAMAGE CAUSED BY:

- (1) NORMAL WEAR AND TEAR;
- (2) FAILURE TO PERFORM PROPER CARE AND MAINTENANCE;
- (3) ACCIDENTS, ABUSE OR NEGLIGENCE;
- (4) BARREL OR BORE OBSTRUCTIONS;
- (5) FAILURE TO FOLLOW THE INSTRUCTIONS AND WARNINGS THAT ACCOMPANY THE MOSSBERG FIREARM; OR
- (6) THE USE OF DEFECTIVE, NON-SAAMI STANDARD, REMANUFACTURED, HANDLOADED, AND/OR RELOADED AMMUNITION.

IN ADDITION, ANY UNAUTHORIZED REPAIRS, ALTERATIONS OR MODIFICATIONS TO THE MOSSBERG FIREARM WILL AUTOMATICALLY VOID THE LIMITED WARRANTY.

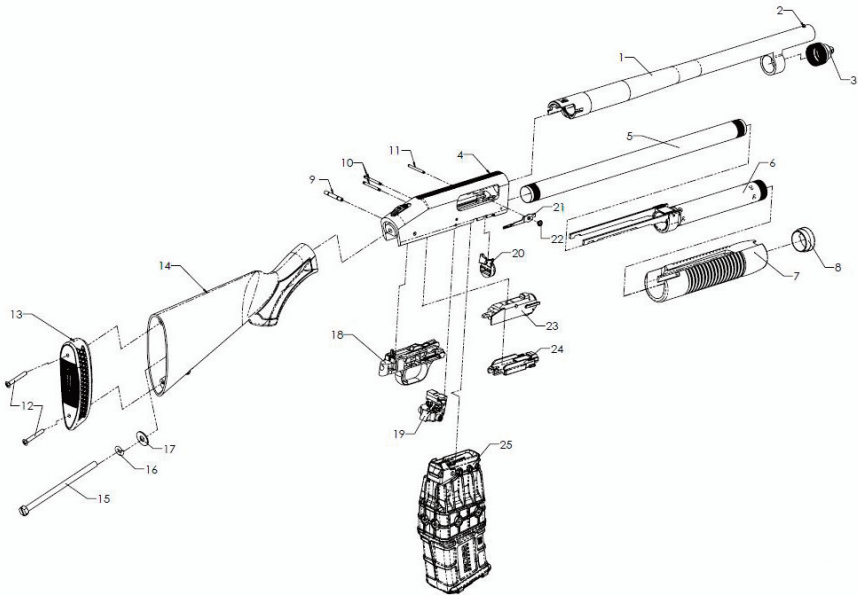
LIMITATION OF DAMAGES: EXCEPT WHERE PROHIBITED BY LAW, MOSSBERG WILL NOT BE LIABLE FOR ANY LOSS OR DAMAGE WHATSOEVER ARISING FROM THE USE OF THIS MOSSBERG FIREARM, WHETHER DIRECT, INDIRECT, SPECIAL, INCIDENTAL, CONSEQUENTIAL OR PUNITIVE, REGARDLESS OF THE LEGAL THEORY ASSERTED, INCLUDING CONTRACT, WARRANTY, NEGLIGENCE, OR STRICT LIABILITY. SOME JURISDICTIONS DO NOT ALLOW LIMITATIONS ON HOW LONG AN IMPLIED WARRANTY LASTS, OR THE EXCLUSION OF INCIDENTAL OR CONSEQUENTIAL DAMAGES, SO THE ABOVE LIMITATIONS MAY NOT APPLY TO YOU.

Warranty Service: To obtain service under this Limited Warranty, you must follow the instructions found in the "Service Instructions" section of the Owner's Manual and return the Mossberg firearm to the authorized Product Service Center. You are responsible for all shipping costs to the Product Service Center. Mossberg will not accept COD shipments of any Mossberg firearm for service. After repair or replacement, the Mossberg firearm or a similar model will be returned to you, return postage paid by Mossberg. If we replace the Mossberg firearm, we will keep the firearm that you returned to Mossberg.

Modification of Warranty: No agent, representative, distributor, or authorized dealer of Mossberg firearms has any authority to modify the terms or conditions of the Limited Warranty in any way. The Limited Warranty may only be modified in writing by an authorized officer of Mossberg.

THIS LIMITED WARRANTY IS EFFECTIVE JANUARY 1, 2018.

EXPLODED VIEW



MOSSBERG 590M™			
ITEM	DESCRIPTION	ITEM	DESCRIPTION
1	BARREL ASSEMBLY	14	STOCK
2	FRONT SIGHT	15	STOCK BOLT
3	MAGAZINE CAP	16	LOCK WASHER
4*	RECEIVER	17	FLAT WASHER
5	GUIDE TUBE	18*	TRIGGER HOUSING ASSEMBLY
6	ACTION SLIDE ASSEMBLY	19	MAGAZINE CATCH HOUSING ASSEMBLY
7	FOREARM	20	MAGAZINE RETAINER
8	ACTION SLIDE TUBE NUT	21	EJECTOR
9	TRIGGER HOUSING PIN	22	EJECTOR SCREW
10	MAGAZINE CATCH HOUSING PIN	23*	BOLT ASSEMBLY
11	MAGAZINE RETAINER PIN	24*	BOLT SLIDE
12	RECOIL PAD SCREW	25	MAGAZINE ASSEMBLY, 10 RND
13	RECOIL PAD		
* ITEMS ON PARTS LIST ARE RESERVED FOR GUNSMITHS OR AUTHORIZED PRODUCT SERVICE CENTER.			

NOTES

A large, empty rectangular box with a double-line border, occupying most of the page. It is intended for the user to write notes.

NOTES

FIREARMS SAFETY DEPENDS ON YOU. MAKE NO MISTAKE ABOUT IT!

From the time an individual picks up a firearm, that individual shooter becomes a part of a system over which he or she has complete control. He or she is the only part of the system that can make a gun safe – or unsafe. Hunting and target shooting are among the safest of all sports. This booklet is intended to make them even safer – by re-emphasizing and reaffirming the basics of safe gun handling and storage and by reminding each individual shooter that he or she is the key to firearms safety. You can help meet this responsibility by enrolling in hunter safety or shooting safety courses. You must constantly stress safety when handling firearms, especially to children and non-shooters. Newcomers in particular must be closely supervised when handling firearms with which they may not be acquainted. Don't be timid when it comes to gun safety. If you observe anyone violating any safety precautions, you have an obligation to suggest safer handling practices, such as those in this booklet. Please read these rules carefully and follow the safety procedures outlined. Firearms safety is up to you. Make no mistake about it.

- 1. ALWAYS KEEP THE MUZZLE POINTED IN A SAFE DIRECTION**
- 2. FIREARMS SHOULD BE UNLOADED WHEN NOT ACTUALLY IN USE**
- 3. DON'T RELY ON YOUR GUN'S "SAFETY"**
- 4. BE SURE OF YOUR TARGET AND WHAT'S BEYOND IT**
- 5. USE CORRECT AMMUNITION**
- 6. IF YOUR GUN FAILS TO FIRE WHEN THE TRIGGER IS PULLED, HANDLE WITH CARE**
- 7. ALWAYS WEAR EYE AND EAR PROTECTION WHEN SHOOTING**
- 8. BE SURE THE BARREL IS CLEAR OF OBSTRUCTIONS BEFORE SHOOTING**
- 9. DO NOT ALTER OR MODIFY YOUR GUN, AND HAVE GUNS SERVICED REGULARLY**
- 10. LEARN THE MECHANICAL AND HANDLING CHARACTERISTICS OF THE FIREARM YOU ARE USING**

*Courtesy of
Sporting Arms and Ammunition Manufacturers' Institute, Inc.*