



Trijicon

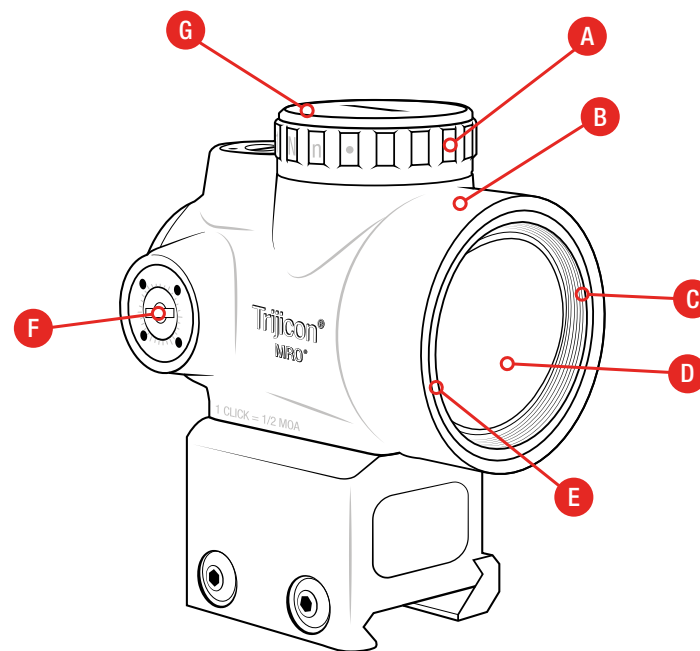
MRO®

### FAST TARGET ACQUISITION EVERY TIME

The Trijicon MRO® (Miniature Rifle Optic) is a sealed miniature reflex sight intended for use on rifles, carbines and shotguns to provide fast target acquisition. The large aperture and tapered light path maximize the viewing area and allow for better situational awareness and fast target engagement — especially from non-standard shooting positions.

## Features and Benefits

- A Ambidextrous Brightness Control**  
Easy usage by left- or right-handed operators without having to remove hand from fire control.
- B Aircraft-Grade Aluminum Housing**  
Forged 7075 housing and fully sealed construction protects against the toughest elements; waterproof to 100 ft. (30m).
- C Large Viewing Area**  
Allows faster target acquisition and engagement with reduced “tube effect.”
- D Superior Quality Glass**  
Multi-coated lenses provide superior clarity and light-gathering capabilities with zero distortion and provide for a crisp dot reticle.
- E Small Footprint**  
Specifically engineered with a slightly canted objective lens, allowing for a shorter optic while minimizing reflections.
- F Sub-Flush, Easy-to-Set Adjusters**  
Eliminates snag hazards and maintains zero; provides positive-click reticle movement in ½-MOA increments; and requires no special tools for operation.
- G Long Battery Life**  
Up to 5 years of continuous use with single lithium CR2032 battery.\*



\*Red dot MRO on setting 5 of 8 at 70°F (21°C) with supplier lithium battery.



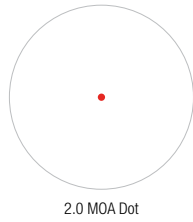
»NEW

System	MRO® Red Dot	MRO® Green Dot
<b>Magnification</b>	1x	1x
<b>Objective Size</b>	25mm	25mm
<b>Clear Aperture</b>	0.805 in. 20.4mm	0.805 in. 20.4mm
<b>Eye Relief</b>	Infinite	Infinite
<b>Adjustments</b>	1 Click = ½ MOA	1 Click = ½ MOA
<b>Adjustment Range (Elevation &amp; Windage)</b>	70 MOA Total Travel	70 MOA Total Travel
<b>Dimensions (L x W x H)</b>	2.6 x 1.7 x 2.0 in. 66 x 43 x 51mm	2.6 x 1.7 x 2.0 in. 66 x 43 x 51mm
<b>Weight Without Mount</b>	4.1 oz. (w/Supplied Lithium Battery) 116g	4.1 oz. (w/Supplied Lithium Battery) 116g
<b>Illumination Source</b>	LED Powered by CR2032 Lithium Battery	LED Powered by CR2032 Lithium Battery
<b>Available Mounting Adapters</b>	Picatinny Rail (in "Low," Full Co-Witness, and Lower 1/3 Co-Witness Heights)	Picatinny Rail (in "Low," Full Co-Witness, and Lower 1/3 Co-Witness Heights)
<b>Battery Life</b>	5 Years of Continuous Use* at Day-Setting 3	1 Years of Continuous Use* at Day-Setting 3
<b>Brightness Settings</b>	8 Total Settings: 2 Night Vision, 5 Day Settings, 1 Super-Bright	8 Total Settings: 2 Night Vision, 5 Day Settings, 1 Super-Bright

MRO® Patrol	MRO® HD	
1x	1x	
25mm	25mm	
0.805 in. 20.4mm	0.805 in. 20.4mm	
Infinite	Infinite	
1 Click = ½ MOA	1 Click = ½ MOA	
70 MOA Total Travel	70 MOA Total Travel	
3.6 x 1.8 x 2.0 in. 91 x 43 x 51mm	2.9 x 1.7 x 2.0 in. 75 x 43 x 51mm	
5.0 oz. (w/Supplied Lithium Battery) 141.7g	4.6 oz. (w/Supplied Lithium Battery) 130g	
LED Powered by CR2032 Lithium Battery	LED Powered by CR2032 Lithium Battery	
Picatinny Rail (Full Co-Witness, and Lower 1/3 Co-Witness Heights)	Picatinny Rail (in "Low," Full Co-Witness, and Lower 1/3 Co-Witness Heights)	
5 Years of Continuous Use* at Day-Setting 3	Red Dot: 2.5 years Reticle: 75 Days	
8 Total Settings: 2 Night Vision, 5 Day Settings, 1 Super-Bright	16 Total Settings (8 for each reticle)	
	Red Dot: 2 Night Vision, 5 Day Settings, 1 Super-Bright	Reticle: 2 Night Vision, 5 Day Settings, 1 Super-Bright

\*When used at 70°F (21°C). Extreme temperatures (high or low) will affect lithium battery performance.

## 1x25 MRO® (Red Dot)



2.0 MOA Dot

### 2.0 MOA Adjustable Red Dot (without Mount)

Black: ■ MRO-C-2200003

### 2.0 MOA Adjustable Red Dot with Low Mount

Black: ■ MRO-C-2200004

### 2.0 MOA Adjustable Red Dot with Full Co-Witness Mount

Black: ■ MRO-C-2200005

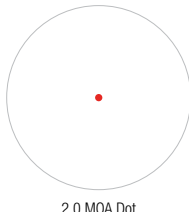
### 2.0 MOA Adjustable Red Dot with Lower 1/3 Co-Witness Mount

Black: ■ MRO-C-2200006

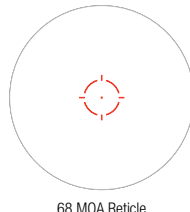
## MRO® HD (Red Dot | Reticle)



»NEW



2.0 MOA Dot



68 MOA Reticle

### 68 MOA Reticle with 2.0 MOA Dot

Black: ■ MRO-C-2200050

### 68 MOA Reticle with 2.0 MOA Dot with Low Mount

Black: ■ MRO-C-2200051

### 68 MOA Reticle with 2.0 MOA Dot with Full Co-Witness Mount

Black: ■ MRO-C-2200052

### 68 MOA Reticle with 2.0 MOA Dot with Lower 1/3 Co-Witness Mount

Black: ■ MRO-C-2200053

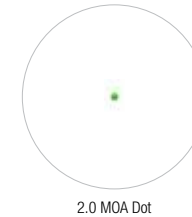
### Trijicon MRO® HD Combo Set; 68 MOA Reticle with 2.0 MOA Dot with Full Co-Witness Mount & 3x Magnifier with Adjustable Height Quick Release, Flip to Side Mount

Black: ■ MRO-C-2200057

### Trijicon® 3x Magnifier with Adjustable Height Quick Release, Flip to Side Mount

Black: ■ MAG-C-2600001

## 1x25 MRO® (Green Dot)



2.0 MOA Dot

### 2.0 MOA Dot Adjustable Green Dot (without Mount)

Black: ■ MRO-C-2200028

### 2.0 MOA Dot Adjustable Green Dot with Low Mount

Black: ■ MRO-C-2200029

### 2.0 MOA Dot Adjustable Green Dot with Full Co-Witness Mount

Black: ■ MRO-C-2200030

### 2.0 MOA Dot Adjustable Green Dot with Lower 1/3 Co-Witness Mount

Black: ■ MRO-C-2200031

### 2.0 MOA Dot Adjustable Green Dot with Low-Levered Quick-Release Mount

Black: ■ MRO-C-2200032

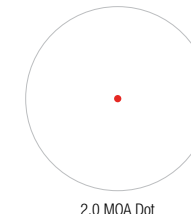
### 2.0 MOA Dot Adjustable Green Dot with Full Co-Witness Levered Quick-Release Mount

Black: ■ MRO-C-2200033

### 2.0 MOA Dot Adjustable Green Dot with Lower 1/3 Co-Witness Levered Quick-Release Mount

Black: ■ MRO-C-2200034

## 1x25 MRO® Patrol (Red Dot)



2.0 MOA Dot

### 2.0 MOA Adjustable Red Dot (without Mount) with KillFlash and Flip Caps

Black: ■ MRO-C-2200017

### 2.0 MOA Adjustable Red Dot with Lower 1/3 Co-Witness Mount, KillFlash and Flip Caps

Black: ■ MRO-C-2200018

### 2.0 MOA Adjustable Red Dot with Full Co-Witness Mount, KillFlash and Flip Caps

Black: ■ MRO-C-2200019