



INSTRUCTION MANUAL
MANUAL DE INSTRUCCIONES
NÁVOD NA POUŽITÍ
BEDIENUNGSANLEITUNG
MODE D'EMPLOI

CZ P-07

Before handling the pistol read this manual carefully and observe the following safety instructions.

Improper and careless handling of the pistol could result in unintentional discharge and could cause injury, death or damage to property. The same consequences can be caused by unauthorized modifications or adjustments, corrosion, or use of non-standard or damaged ammunition. In these cases the manufacturer shall not be responsible in any manner whatsoever for the resultant consequences. Before leaving the factory this pistol was tested, carefully inspected, and packed. CZ cannot accept responsibility for product handling while in transit, or upon leaving the factory. Therefore, please examine this pistol carefully at the time of purchase to ensure that it is unloaded and undamaged.

This instruction manual should always accompany this pistol and that even in the case of the loan or sale of this pistol.

CONTENTS

SAFETY INSTRUCTIONS	2
PISTOL DESCRIPTION AND TERMINOLOGY	5
Safety Features	6
OPERATING INSTRUCTIONS	6
Ammunition	6
Removal of the Magazine	6
Magazine Loading	7
Pistol Loading	7
Reloading During Shooting	7
Unloading the Pistol	7
Engaging the Safety Mode	7
Decocking	8
Sight Adjustment	8
Changing the Back Strap Inserts	8
MAINTENANCE INSTRUCTIONS	9
Stripping for Cleaning - Disassembly	9
Magazine Disassembly	9
Exchange of Control Elements	10
Cleaning the Pistol	10
Cleaning the Barrel Bore and the Cartridge Chamber	10
Cleaning of Other Pistol Parts	11
Preserving	11
Waste Management	11
LIST OF PARTS	12
TROUBLESHOOTING, CAUSES AND REMEDIES	13
TECHNICAL SPECIFICATIONS	14
LIST OF ILLUSTRATIONS	14

SAFETY INSTRUCTIONS

Always follow the safety instructions for your safety and the safety of others.

1. Always handle your pistol as if it were loaded.
2. Never point your pistol at anything you do not intend to shoot.
3. Never take anyone's word that a gun is unloaded.
4. Always make sure that your pistol is not loaded before laying it down, or handing it to another person.
5. Always keep and carry your pistol empty, with the hammer forward except when you intend to shoot.
6. Never abuse your pistol by using it for any purpose other than shooting.
7. Never leave the pistol cocked and ready to fire unattended.
8. Before loading your pistol be sure that the barrel bore, chamber, and action are clean and clear of obstructions. After shooting, clean the dirtied pistol as soon as possible.
9. Do not shoot the pistol, unless you are certain about the ammunition you are using. Do not use unmarked or hand-loaded ammunition from an unknown source, ammunition with a cracked, deformed or dented case or with a damaged bullet. Reloading is an expert activity and incorrectly reloaded ammunition may be extremely dangerous. It may result in heavy damage or destruction of the pistol and serious injury or death of the shooter or other persons. Always use only clean, dry, original high quality commercially manufactured ammunition, which is appropriate to the caliber of your pistol.
10. Never drink alcoholic beverages or take drugs before or during shooting.
11. Always wear safety glasses and ear protection when shooting.
12. Always keep the safety on when the pistol is loaded and cocked, until you are ready to fire. Keep your pistol pointed in a safe direction when disengaging the manual safety.
13. Always keep clear and keep others clear of the ejection port.
14. Never squeeze the trigger or put your finger in the trigger guard until you are aiming at a target and ready to shoot.
15. Always be absolutely sure of your target, and the area behind it, before you squeeze the trigger. A bullet could travel through or past your target up to several hundred meters.
16. Never shoot at a hard surface such as rock, or a liquid surface such as water.
17. Never fire your pistol near an animal unless it is trained to accept the noise.
18. Never indulge in "horseplay" while holding your pistol.
19. Failure to fire: In case of failure to fire hold the firearm keeping it pointed towards the target, or a safe open area and wait 30 seconds. If a hangfire (slow ignition) has occurred, the cartridge will fire within 30 seconds. If the cartridge does not fire, eject the cartridge and examine it. If the firing pin indent on the cartridge is light, or non-existent, have the firearm examined by a competent gunsmith.
20. Always make sure your pistol is not loaded before cleaning, storing or travelling. Remove any unused ammunition from the pistol and store it in compliance with the law.

21. Always keep and store your pistol and ammunition in separate locked receptacles out of reach and sight of children and untrained people. Always protect the ammunition from sources of heat and open fire.
22. Never alter any parts of your pistol as the safety and proper function of your pistol could be seriously compromised.
23. Always be aware that corrosion, use of damaged ammunition, dropping the pistol on hard surfaces or other "coarse treatment" could cause damage you may not see. If something like this happens allow the pistol to be examined and tested by a competent gunsmith.

RULES OF THE SAFE HANDLING TRITIUM SIGHTS



Tritium sights for CZ pistols involve a luminous front sight (tritium radiator of 0,55 GBq activity) and a luminous rear sight (2 tritium radiators of 0,55444 GBq activity) that is installed at the pistol by means of precision dovetails. Tritium in the gaseous state (99% HT and 1% HTO) is enclosed in plastic ampoules with a luminescent element and these ampoules are fixed by glue into the metallic cap of the sight so that the manipulation and storage of the sights is not exposed to any risks. The sights are marked as H3 (radioactive tritium).

The third generation of the sights retains all the advantageous features of the preceding generation of sights and several improvements are added:

- built-in shock absorber
- solid protective bushing providing less sensitivity against rough manipulation
- immovable window for a better light output with additional protection against a damage
- tolerance against longer immersion in currently used solvents and cleaning agents
- guaranteed continuous available light intensity for the period of 12 years
- sealing design protects the sights against an accidental damage, avoids the unwanted manipulation with the light source, inhibits to penetrate the dirt into the visual system and to hide the light
- provided a finer transition between the aiming during the day and the night
- simple installation (no modification of the arm is necessary)
- no added weight nor size
- no maintenance
- no battery needed (no losses of the energy at the cold weather)
-

Safety instructions in case of the sights damage

In regular conditions of the storage, use and maintenance there is no risk to the user caused by emitted ionizing radiation, because it doesn't penetrate metallic caps, in which the ampoules with radiators are fixed. In case of a nearly unreal incidental damage of all ampoules in one set at the moment, when the arm is in shooting position (position of the sights closer to the shooter), the single effective radiation dose wouldn't exceed the value of 0,26 mSv. What does this value present? It is for example:

- 1/12 of the dose which is received by an ordinary inhabitant in course of a year due to the natural radioactive background (3,5 mSv / year)
- less than 1/4 of the general effective dose limit to an ordinary inhabitant

Recommended first aid at the inspiration of the gaseous tritium

The gaseous tritium state is practically inactive and causes a slight internal contamination. In case of its inspiration it is recommended to increase the intake of liquids and eventually to take some diuretic (beer with low content of alcohol) for acceleration of the body water exchange.

DUTIES OF THE TRITIUM SIGHTS OWNER

1. The sights are a radioactive radiator in the period of 6,5 years since their purchase according to the Czech Republic legislation.
2. At the purchase the owner obtains a guide with rules of the safe handling and a document on the on the impermeability of the radionuclidic radiators in the set (certificate of the encased radionuclidic radiator), which must be preserved and presented on request of the competent authority.
3. When handling a type approved product, which is the source of the ionizing radiation, it is necessary to respect national regulations for protection against he ionizing radiation (the appropriate national legislation).
4. In case of the ownership of more than 9 sets of sights (the total activity exceeding 10 GBq) the owner is obliged to consult the duties resulting from the appropriate national legislation at the competent authority.
5. To avoid such manipulation, when a rough mechanical damage of the sights may happen.
6. It is not allowed to carry out any changes, relating to the properties of the protection against the radiation.
7. In case of the destruction or the damage, the sights mustn't be further used. The owner is obliged to secure safely the device changed in such a way and to pass it to the distributor or the manufacturer for the safe liquidation. The same procedure to be applied for liquidation of no more used sights.
8. The manipulation with sights is governed by general principles of the protection against the ionizing radiation. At the current use there are no requested tests of impermeability during the service life of the sights.

The sights were type approved by the decision of the competent authority Ref. No. SÚJB/RCAB/9960/2014.

20.4. 2011
Státní úřad pro jadernou bezpečnost
Regionální centrum Praha
Bartošková 28
140 00 Praha 4

PISTOL DESCRIPTION AND TERMINOLOGY

The names of basic pistol parts used in this Instruction Manual are presented in Fig. 1 on the inner side of the left-hand cover. Nomenclature of all CZ P-07 parts are presented in the section *List of Parts*.

The CZ P-07 pistol is a semi-automatic handgun incorporating short recoil, designed for aimed shooting up to 50 m distances. The CZ P-07 utilizes the locked breech principle. The 9 mm Browning (.380) version is equipped with blowback breech. It is fitted with a trigger mechanism adapted to operate both in SA and DA modes of fire, a firing pin safety, safety stop on the hammer and manual safety which can be easily disassembled and substituted by a hammer decocking element. The frame is made from plastic material. Characteristic features of the CZ P-07 are:

- Comfortable grip and balance in either hand
- Good results at instinctive shooting (without aiming)
- Low trigger pull weight
- High accuracy of fire
- Long service life
- High reliability, even with various types of cartridges
- Sights adapted also for aiming under reduced visibility conditions
- The slide stays open after the last cartridge has been fired
- Suitable for everyday service gun toting
- The standard pistol version provided with ambidextrous safety or ambidextrous decocking element
- Mutual interchangeability of the safety and hammer decocking element
- The front part of the frame provided with grooves for applying special accessories
- possibility of increasing the magazine capacity by easy replacement of the magazine bottom (see the replacement process on the webpage of Česká zbrojovka)

Each pistol is supplied with these items:

- 2 pieces of magazines (the number of magazines can differ for particular versions of the pistol)
- replaceable magazine base increasing the capacity by two rounds
- set of interchangeable back strap inserts
- interchangeable control elements (safety/hammer decocking lever controller)
- maintenance and cleaning instruments (cleaning brush, cleaning rod, key for sights adjustment, polymer case)
- documents related to the pistol (instruction manual, CD containing promotion files and instruction manuals in various languages, warranty certificate/card, grouping paper)
- padlock (only in selected versions)

Comments:***SA (Single Action)***

The trigger mechanism operates in a single action mode of fire. The hammer is cocked manually and then after pressing the trigger the pistol is fired. The trigger travel is short, and pull weight is low. After each discharge the hammer remains cocked.

DA (Double Action)

The trigger mechanism operates in a double action mode of fire. The hammer is cocked, released and the pistol fired by one pull of the trigger. The trigger travel is longer, and trigger pull weight is higher than at SA mode of fire.

Safety Features***Trigger Guard***

Prevents unintentional pressing of the trigger, for example when the pistol is dropped.

Inertia Firing Pin

The design of the firing pin prevents the firing pin from protruding through the face of the slide when the hammer is in its rest position. This eliminates the possibility of a discharge when a loaded pistol is dropped on the hammer.

Firing Pin Safety

The firing pin safety keeps the firing pin blocked until the trigger is pulled. This safety device minimizes the risk of accidental discharge through mishandling such as when a loaded pistol is dropped.

Safety Stop on the Hammer

A half-cock safety notch is on the hammer so as to prevent it from striking the firing pin when the hammer is manually cocked, and a thumb could slip. When the hammer is on the safety stop, it is not leaning against the firing pin stop, but its position is further back.

OPERATING INSTRUCTIONS**Ammunition**

Always use ammunition in an allowable production design which is in compliance with standards applicable for ammunition manufacturers and is approved by the CIP (Permanent International Commission for Firearms Testing) or SAAMI (Sporting Arms and Ammunition Manufacturers' Institute Inc. of the United States). The use of other cartridges could damage the handgun or cause injury to the shooter. When using factory-made ammunition with standard speed, the use of firearms produced by Česká zbrojovka a.s. is safe. Check the ammunition you are going to use to make sure that it corresponds to the caliber of your firearm. Commercially produced ammunition is clearly marked with the caliber on the bottom or around the bottom of each cartridge case.

Removal of the Magazine

Grip the pistol in your right (left) hand and by the thumb (middle finger) depress the magazine catch (Fig. 2). The magazine disengages and falls out of the frame. This pistol model is equipped with the user type magazine catch which can be reversed by gunsmith for the right or left hand operation.

Magazine Loading

With the open end uppermost, grasp the magazine in one hand. Place a cartridge on the magazine follower. Press the cartridge down and back until it touches the rear flat edge of the magazine. Place the next cartridge on top of the previous cartridge and press down and back. We recommend that when some cartridges are already loaded in the magazine, depress them slightly with the thumb of the hand which holds the magazine.

The number of cartridges can be checked through the inspection holes. Do not try to exceed the magazine capacity - doing so can cause a feeding failure.

Pistol Loading

ALWAYS MAKE SURE THE PISTOL IS POINTED IN A SAFE DIRECTION WHEN LOADING!

Insert a loaded magazine and ensure that it has engaged the magazine catch.

Hold the pistol by the grip with one hand, and with the thumb and index finger grasp the serrated finger grips on both sides of the slide. Retract the slide to the stop and allow it to snap forward (Fig. 3). This procedure cocks the hammer and inserts a cartridge into the chamber. The pistol is now ready to fire. If you do not intend to fire immediately, ensure the pistol safety by some of the methods mentioned in the section: *Engaging the Safety Mode* or as per section *Decocking*.

Reloading During Shooting

When the last cartridge has been fired the slide will stay to the rear. Remove the emptied magazine and replace it with a loaded one. Thumb down the slide stop with the shooting hand (Fig. 4), or with the other hand draw back the slide and allow it to snap forward. The pistol is again loaded and ready to fire.

Unloading the Pistol

ALWAYS MAKE SURE THE PISTOL IS POINTED IN A SAFE DIRECTION!

- Remove the magazine
- Draw back the slide and verify the last cartridge has been extracted from the chamber and ejected
- Let the slide snap fully forward
- Depress the trigger (dry fire)

Engaging the Safety Mode

The version equipped with a decocking device is not covered in this section!

Push the safety up to the Safety-On position (Fig. 5) until the red warning dot is covered. The safety in this position blocks the trigger mechanism and slide, thus preventing the pulling of the trigger and operating the slide. The safety lever can be set to the "Safe" position even with the hammer on safety notch. However, it is strongly not recommended that the safety be engaged while in this state as any forced cocking of the hammer or pulling of the trigger could damage the trigger mechanism and cause unwanted firing even though the safety is in the

"Locked" position. The pistol safety shall be only engaged with the hammer in its rear position, i.e. cocked. The use of safety is therefore convenient for short interruptions of firing only.

Besides the method previously described it is possible to put the pistol into a safety mode and still be ready to fire immediately:

Load the pistol. Grasp the grip, POINT IN A SAFE DIRECTION. With thumb press on the grooved area (thumb piece) of the hammer, pull the trigger and release the hammer slowly ahead (Fig. 6) until it rests on the action or safety thumb of the hammer. Release the trigger. Practise this operation very carefully to avoid an accidental discharge! We strongly recommend to practise this operation beforehand with the pistol unloaded!

In this state the pistol is safe for all normal handling and at the same time ready for immediate use. Please remember that the safest way to secure a pistol is to unload it and store it in a safe place!

Decocking

The version equipped with a manual safety is not covered in this section!

MAKE SURE THE PISTOL IS POINTED IN A SAFE DIRECTION and thumb down the decocking control lever (Fig. 7).

Pressing down the decocking control lever actuates the lowering of the hammer from the cocked position to the hammer safety notch position, without any need to pull the trigger. Even if there is a cartridge in the chamber the pistol is (hammer decocked) safe for all normal handling in this state, and ready for immediate use in a Double Action mode of fire.

Sight Adjustment

The pistol sights were sighted in at the manufacturing plant at a distance of 15 m so that the mean point of impact approximately conforms to the point of aim.

Windage correction can be carried out by the drifting of the rear sight in the dovetail and then secured in its position by an indentation.

Elevation correction is carried out by exchanging the front sight for higher or lower sizes.

Changing the Back Strap Inserts

Each pistol is supplied with a set of changeable back strap inserts, which enables the rear part of the grip to be adjusted according to the individual needs of the user. In order to change the back strap inserts it is necessary to remove the main spring plug pin. To avoid injuries be very careful when removing the pin as it secures the main spring plug as well as the compressed main spring. Entrust the task to a gunsmith.

MAINTENANCE INSTRUCTIONS**Stripping for Cleaning - Disassembly**

POINT YOUR PISTOL IN A SAFE DIRECTION!

1. Remove the magazine. The pistol must not be disassembled with the magazine inserted!
2. Put the safety to "OFF" position, in order to release the movement of the slide.
3. **MAKE SURE THAT THERE IS NO CARTRIDGE IN THE CHAMBER!**
4. Retract the hammer slightly back and then release it, until it stops on half-cock (safety) notch position. In this state the handling which follows will be easier.
5. Put your left thumb through the trigger guard and with the other fingers grasp the top of the front part of the slide firmly.
6. Push the slide slightly rearwards until the rear of the slide is against the retracted hammer and the guidelines on the frame and the slide are in line.
7. Push (tap) the slide stop from the right hand side of the weapon, i.e. using the magazine base (Fig. 8). Remove the slide stop from the left.
8. Pull the slide and the barrel forward off the frame.
9. Remove the recoil spring and finally the barrel.

No further disassembly is needed for routine maintenance. When a great number of cartridges has been fired, it is advisable to also disassemble magazine and to entrust the pistol to a competent gunsmith for the firing pin cleaning.

Magazine Disassembly

There is a difference depending on the magazine design. If there is a hole in the magazine base, push the base lock through the hole and slide the base slightly forward. If the rear part of the magazine is fitted with a sliding base lock, move it into disassembly position and slide the base slightly forward. Cover the base with your thumb to hold the spring and use the other hand to slide the base completely out of its guiding rails. Be careful during the disassembly as the spring could fly out, or even cause an injury.

Exchange of Control Elements

The pistol is designed in such a way that it enables an easy exchange of the safety by the hammer decocking element and reversely. This operation can be done without using any special tooling. The left safety or left decocking element can be removed first after depressing the ejector downward. Before assembling the right safety or right decocking element it is necessary to depress the trigger bar downward.

In the safety configuration only safeties are installed. In case of the decocking configuration besides the control elements, it is necessary to install also the spring of the control element so that its shorter end is supported by the nose of the control element body and the opposite end is positioned in the pin hollow (Fig. 9).

It is recommended to pass the training of the control elements exchange under supervision by an experienced gunsmith or to refer to the guidance on the website of Ceska zbrojovka.

CAUTION:

No further disassembly of your pistol is recommended. Should your pistol require adjustment or repair be sure the task is entrusted to a competent gunsmith!

Cleaning the Pistol

- Clean the pistol
- Each time you use it
- If you get your pistol wet
- As soon as possible after shooting
- At least once a year in a temperate climate
- As often as once a month in a tropical climate, or other demanding environment

Cleaning the Barrel Bore and the Cartridge Chamber

If the pistol has not been fired or if only a few cartridges have been fired, clean the barrel bore and cartridge chamber by the clean patch attached to the cleaning rod. Repeat the cleaning, changing patches, until the last patch comes out clean.

When the barrel bore is very dirty, apply a gun cleaning solution using a cleaning brush. Let the solvent act for about 10 minutes (this time may vary depending on the solvent agent being used). Then thoroughly scrub out the barrel bore. Subsequently, dry the barrel bore and cartridge chamber with a clean patch and check that all powder residues or fouling have been removed. If necessary repeat this procedure.

The cleaning rod and the brush must be inserted into the barrel bore from the chamber, to prevent wear or damage to the muzzle. Pass the brush all the way through the barrel bore before reversing the movement. If you try to change directions with the brush in the barrel, the brush could stick.

Cleaning of Other Pistol Parts

Other parts of the pistol (including the external surfaces of the barrel) should be cleaned with a dry cloth, old toothbrush, brass bristle brush or a wooden scraper. Preserving oil or paraffin oil can be used for proper cleaning. Never use the agent designed for barrel bore cleaning! These solutions could remain in the joints, and after some time could cause corrosion.

Check that cloth particles or brush bristles have not become lodged in any part of the pistol.

Preserving

When the barrel bore, cartridge chamber, and all accessible parts are clean and dry, wipe these parts with a cloth soaked in gun oil or apply the oil in a spray. Remove all excess oil.

Before shooting always wipe the barrel bore dry. At very low temperatures remove the oil from all accessible parts or apply a lubricant prepared especially for these conditions.

Use thick preserving agents for example, preserving grease only for a long-term storage in demanding climate environments, and before any use of the pistol it must be thoroughly removed from all parts of the firearm.

Waste Management

When used properly, the materials used in the product and packaging have no adverse effects on human health or the environment. When disposing of the product or its packaging, metal parts (steel and non-ferrous metals), plastics, wood, paper and cardboard should be stored separately in collecting containers intended specifically for that purpose.

The Company, reserves the right to make any changes it thinks necessary to improve its models or to meet any requirements of manufacturing or commercial nature.

LIST OF PARTS

1 a) Frame	25 Front Sight
b) Changeable Back Strap	26 Main Spring Strut
Insert S/M/L	27 Main Spring Plug
2 Slide	28 Sear Pin
3 Barrel	29 Hammer Pin
4 Slide Stop	30 Trigger Pin
5 Magazine *	31 Magazine Catch Plug
6 Insert - Front	32 Main Spring Plug Pin
7 Insert - Rear	33 Extractor Pin
8 Trigger	34 Magazine Catch Pin
9 Trigger Bar	35 Insert - Front Pin
10 Sear	36 Pin
11 Hammer	37 Firing Pin Plug
12 Disconnecter	38 Recoil Spring Assembly
13 Firing Pin Block Lever	39 Securing Screw (2x)
14 Trigger Bar Disconnecter	40 Extractor Spring
15 Ejector	41 Firing Pin Spring
16 Firing Pin	42 Firing Pin Block Stop Spring
17 Extractor	43 Spring (2x)
18 Firing Pin Block Stop	44 Slide Stop Spring Pin
19 Magazine Catch	45 Main Spring
20 Safety - Left *	46 Trigger Spring
21 Safety - Right *	47 Slide Stop Spring
22 Hammer Decocking Lever	48 Hammer Decocking Lever Spring *
Controller - Left *	49 Trigger Bar Spring
23 Hammer Decocking Lever	50 Sear Spring
Controller - Right *	51 Insert - Rear Pin
24 Rear Sight	

The parts marked * differ according to versions, or as case may be in some versions are entirely missing.

TROUBLESHOOTING, CAUSES AND REMEDIES

If your pistol is properly used and maintained, malfunctions will rarely occur. However, if such a situation does occur, please observe the following instructions.

CAUTION - If a malfunction occurs, the possibility of unintentional discharge is substantially increased. For this reason, carefully observe the *Safety Instructions* already mentioned above. Keep the pistol pointed in a safe direction, do not turn the pistol against your body or anyone else's! Do not place your hands in front of the barrel!

If you use your pistol for self-defense, or in law enforcement, please acquire so-called "dummy cartridges" and practice fast clearing of malfunctions as described below.

Malfunction	Possible Cause	Remedy
A cartridge has not been fed into the chamber or the slide has not fully locked with the barrel	Magazine is not fully inserted or is damaged.	Insert magazine properly or change magazine.
	The pistol or cartridges are fouled (dirty) or too heavily greased.	Clean the pistol and cartridges and wipe them dry or as case may be slightly lubricate.
Misfire	Defective cartridge.	Pull the trigger again. If a discharge is not initiated, follow the Safety Instructions according to point 19.
	Firing pin hole fouled (dirty) or improper lubrication agent used under low temperature conditions.	Disassemble and clean the firing pin or use a low temperature lubricant.
A shot sounds "weak" combined with failure to eject the cartridge case	The cartridge has been activated but no powder load was inside the cartridge case.	Unload the pistol and check that the bullet is not lodged in the barrel. A subsequent shot could cause damage to the barrel.
The spent case has not been ejected	Cartridge chamber, extractor or ammunition dirty, or unsuitable lubricant in low temperature environment.	Clean and wipe the pistol dry or lubricate lightly with a suitable agent. Use new and clean ammunition.

If you cannot clear away any malfunction in the manner described above, entrust the pistol to a competent gunsmith for inspection and repair.

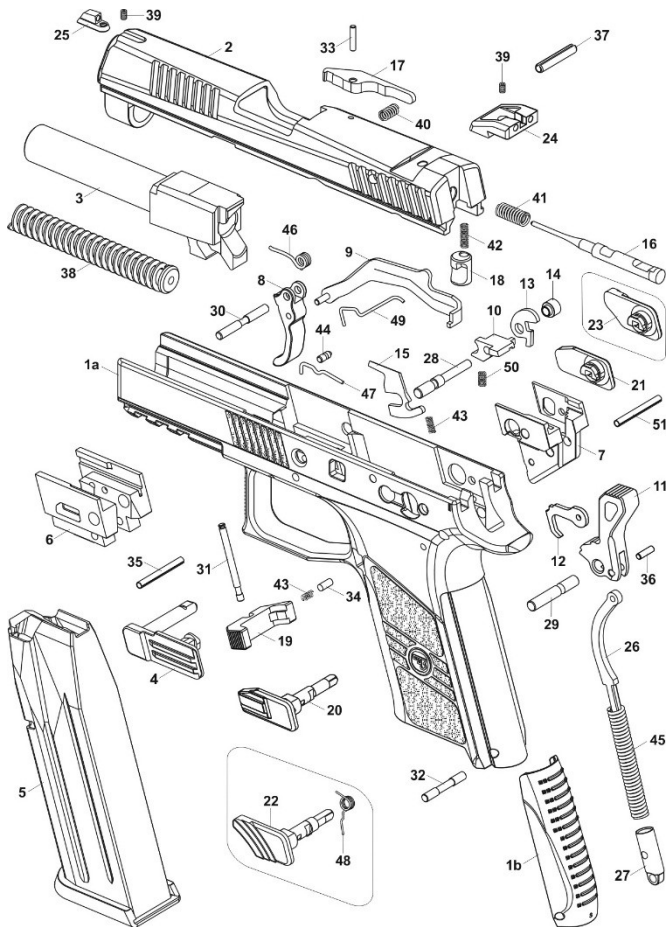
TECHNICAL SPECIFICATIONS

Caliber		9 x 19 9 x 21	9 mm Browning (.380)	.40 S&W
Overall length	[mm]	185 ₋₂	185 ₋₂	185 ₋₂
Height	[mm]	130 ± 1,5	130 ± 1,5	130 ± 1,5
Width ^❶	[mm]	37 ± 1	37 ± 1	37 ± 1
Frame		Polymer	Polymer	Polymer
Weight with empty magazine	[g]	max. 780	max. 780	max. 780
Barrel length (without glide ramp)	[mm]	95 ₋₁	99 ₋₁	95 ₋₁
Sight radius	[mm]	149 ± 2	149 ± 2	149 ± 2
Magazine capacity ^❷	[cartridges]	15 / 17 ^❸	15	12 / 14 ^❸
Trigger pull (SA)	[N]	14,7 - 24,5	14,7 - 24,5	14,7 - 24,5
Trigger pull (DA)	[N]	max. 58,9	max. 58,9	max. 58,9

- ❶ Measured with ambidextrous safety eventually with ambidextrous decocking element
- ❷ To some countries, the CZ P-07 pistols are supplied with a reduced magazine capacity in compliance with local laws
- ❸ Only applies to magazines equipped with base with an increased capacity

LIST OF ILLUSTRATIONS

1. The names of basic parts
2. Removal of the magazine
3. Pistol loading
4. Slide release from its "rear lock-up" position by depressing slide stop
5. Shifting the safety to the "SAFETY-ON" position
6. Release of the hammer in the version equipped with the manual safety
7. Release of the hammer in the version equipped with no manual safety
8. Slide stop removal using the magazine base
9. Detail of the hammer decocking element installed



1

CZ P-07



2



3



4



5



6



7



8



9

