

# INSTRUCTION MANUAL

## **CZ 527**



ČESKÁ ZBROJOVKA  
SINCE 1936

**Before handling the firearm read this manual carefully and observe the following safety instructions.**

Improper and careless handling of the firearm could result in unintentional discharge and could cause injury, death or damage to property. The same consequences can be caused by any unauthorized modifications or adjustments, corrosion, or use of non-standard or damaged ammunition. In these cases the manufacturer shall not be responsible in any manner whatsoever for the resultant consequences.

Before leaving the factory this firearm was tested, carefully inspected, and packed. CZ cannot accept responsibility for product handling while in transit, or upon leaving the factory. Therefore, please examine this firearm carefully at the time of purchase to ensure that it is unloaded and undamaged.

This instruction manual should always accompany the firearm and that even in the case of its loan or sale.

**CONTENTS**

SAFETY INSTRUCTIONS	18	MAINTENANCE INSTRUCTIONS	24
THE CZ 527 RIFLE DESCRIPTION AND TERMINOLOGY	20	Stripping for Cleaning - Disassembly	24
OPERATING INSTRUCTIONS	22	Disassembly of the Bolt	25
Ammunition	22	Cleaning of the Rifle	25
Magazine Removal	22	Cleaning the Barrel Bore and the Cartridge Chamber	25
Magazine Loading	22	Cleaning of Other Rifle Parts	26
Loading of the Rifle	22	Preserving	26
Unloading of the Rifle	23	Waste Management	26
The Safety and its Operation	23	LIST OF PARTS	27
Set-trigger Operation	23	TROUBLESHOOTING, CAUSES AND REMEDIES	28
Trigger Adjustment	23	TECHNICAL SPECIFICATIONS	29
Sight Adjustment	24	LIST OF ILLUSTRATIONS	30
Rifle Scope	24		

## SAFETY INSTRUCTIONS

Always follow the safety instructions for your safety and the safety of others.

1. Always handle your firearm as if it were loaded.
2. Never point your firearm at anything you do not intend to shoot.
3. Never take anyone's word that a gun is unloaded.
4. Always make sure that your firearm is not loaded before laying it down, or handing it to another person.
5. Always store your rifle unloaded with the striking mechanism released.
6. Never abuse your firearm by using it for any purpose other than shooting.
7. Never leave a loaded firearm unattended.
8. Prior to loading the firearm make sure that barrel bore, chamber, and action are clean and clear of obstructions. Clean a dirtied firearm immediately so that it will function properly and safely.
9. Always use only clean, dry, original high quality commercially manufactured ammunition, which is appropriate to the caliber of your firearm.
10. Never drink alcoholic beverages or take drugs before or during shooting.
11. Always wear safety glasses and ear protection during shooting whenever possible.
12. Always keep the safety on when the rifle is loaded with a cartridge in the chamber, until you are ready to fire. Keep firearm pointed in a safe direction when disengaging the safety.
13. A rifle with an activated set-trigger should be handed with maximum care, as even jolts during handling operations could cause an unintended discharge.
14. Always keep clear and keep others clear of the ejection port.

15. Never squeeze the trigger or put your finger in the trigger guard until you are aiming at a target and ready to shoot.
16. Always be absolutely sure of your target, and the area behind it, before you squeeze the trigger. A bullet could travel through or past your target up to several hundreds of meters.
17. Never shoot at a hard surface such as rock, or a liquid surface such as water.
18. Never fire your firearm near an animal unless it is trained to accept the noise.
19. Never indulge in "horseplay" while holding your firearm.
20. Failure to fire: In case of failure to fire hold the firearm keeping it pointed towards the target, or a safe open area and wait 30 seconds. If a hangfire (slow ignition) has occurred, the cartridge will fire within 30 seconds. If the cartridge does not fire, eject the cartridge and examine it. If the firing pin indent on the cartridge is light, or non-existent, have the firearm examined by a competent gunsmith.
21. Always make sure your firearm is not loaded before cleaning, storing or travelling.
22. Always keep and store your firearm and ammunition in separate locked receptacles out of reach and sight of children and untrained people.
23. Never alter any parts of your rifle as the safety and proper function of your rifle could be seriously compromised.
24. Always be aware that corrosion, use of damaged ammunition, dropping the rifle on hard surfaces or other "coarse treatment" could cause a damage you may not see. If something like this happens let the firearm to be examined and tested by a competent gunsmith.

## THE CZ 527 RIFLE DESCRIPTION AND TERMINOLOGY

The names of basic rifle parts used in this Instruction Manual are presented in Fig. 1 on the inner side of the cover. Nomenclatures of all CZ 527 parts are presented in the section *List of Parts*.

The CZ 527 is a light repeating rifle with a Mauser-type bolt action. The trigger mechanism is of a single set design with an adjustable set-trigger; a single stage trigger is supplied on special order. The trigger is adjustable for pull weight and trigger travel. The safety secures the rifle against unintentional discharge and at the same time blocks the bolt in a closed position. The top of the receiver has milled grooves to accommodate scope mounts. The stock surface is made in a semi-matte polyurethane lacquered finish. The rifle is produced in several versions. Characteristic features of all versions are:

- the CZ 527 is well-balanced and consequently quick and easy to aim
- easy mounting of rifle scope
- controlling elements, which are simple in operation, and easy to reach (bolt handle, trigger, safety, bolt catch, magazine catch)
- completely adjustable trigger mechanism, alternatives with set-trigger or without set-trigger
- easy disassembly for cleaning and routine maintenance, which can be carried out without any tools
- a high degree of accuracy when firing and long service life
- high functional reliability in all environments, even with ammunitions made by various manufacturers, and with different types of bullets

<b>Model</b>	<b>Description</b>
<b>Lux</b>	Classic walnut stock provided with a cheekpiece. This model is designed for aiming with mechanical sights as well as optical sights.
<b>Exclusive</b>	Luxury version with stock made from highly figured walnut wood with a cheekpiece complete with contrasting ebony capped fore-end and pistol grip. The metal parts surface is lustre polished, the bolt is jewelled. This model is produced with floating barrel.
<b>FS</b>	Full stock with cheekpiece and shortened barrel and rubber buttplate.
<b>American</b>	Walnut stock without cheekpiece and with reduced drop at heel. This model is designed for aiming with optical sights only. This model is produced with floating barrel.
<b>Prestige</b>	Luxury version adapted to the requirements of markets in the USA and Australia. This model stems from version denominated American, additionally the stock is made from hand-picked walnut wood. The metal parts surface is lustre polished, the bolt is jewelled.
<b>Carbine</b>	Rifle made in shorter barrel version with a classic walnut stock without a cheekpiece. This model is designed for aiming with mechanical sights as well as optical sights.
<b>Varmint</b>	Full stock without cheekpiece, with reduced drop at heel and strengthened fore-end. The barrel is of heavier type, floating, without mechanical sights, the stock is designed for aiming with optical sights only. Varmint (USA) is supplied with laminated or plastic stock.
<b>Hunter, Royal</b>	The stock made of Turkish walnut (Hunter) or American walnut (Royal) having cheekpiece of a new shape with reduced drop and wide forearm. Free floating barrel without sights. Stock is designated especially for sport shooting with riflescope.

## OPERATING INSTRUCTIONS

### Ammunition

Use only factory-manufactured ammunition of appropriate caliber, which are in compliance with CIP regulations (International Proof Commission for Firearms) or SAAMI (Sporting Arms and Ammunition Manufacturers' Institute Inc. of the United States). The use of other cartridges could damage the firearm or cause injury to the shooter.

### Magazine Removal

Using one finger press the magazine catch towards the magazine (Fig. 2), and with the remaining fingers grip the magazine bottom, and remove the magazine from the rifle.

### Magazine Loading

With the open end uppermost, grasp the magazine in one hand. Place a cartridge on the magazine follower with the base just forward of the retaining lips. Press the cartridge down and back until its base touches the rear flat edge of the magazine. Place the next cartridge on top of the previous cartridge and slide in as already described.

### Loading of the Rifle

**ALWAYS MAKE SURE THE RIFLE IS POINTED IN A SAFE DIRECTION WHEN LOADING!**

Insert a loaded magazine into the rifle and check that it is securely caught by the magazine catch.

Grip the rifle with the left hand by its fore-end, place the buttplate against your body, and grip the bolt handle with the other hand. Open the bolt by raising the bolt handle and pulling it to the rear to its stop. Then push the bolt continuously to its forward position again and by rotating the bolt handle in a downward direction close the bolt action. This procedure inserts the cartridge into the cartridge chamber and cocks the striker mechanism. The rifle is now ready to fire. If you do not intend to fire immediately, ensure the firearm safety as described further in the section *Safety and its Operation*.

**Note:** Loading is also possible for single cartridges by directly inserting into the chamber without the use of a magazine.

### **Unloading of the Rifle**

**ALWAYS MAKE SURE THE RIFLE IS POINTED IN A SAFE DIRECTION!**

- Remove the magazine in the manner as already described
- Move the safety to its "Safety-Off" position in order that the bolt can be opened
- Open the bolt and check to ensure that the cartridge has been extracted from the chamber and ejected
- Close the bolt
- Depress the trigger (dry fire)

### **The Safety and its Operation**

Shift the safety forward (Fig. 3) until the red dot is covered. This move puts the trigger mechanism out of operation, and at the same time blocks the bolt so that it is neither possible to fire the rifle or manipulate the bolt.

### **Set-trigger Operation**

The set-trigger is activated by pushing it in the forward (Fig. 4). For the reason of safety, activate the set-trigger only after the rifle is loaded and shortly before shooting. Do not carry your rifle with an activated set-trigger! If you have activated the set-trigger and you do not follow through with firing, keep your firearm pointed in a safe direction while carefully engaging the safety and then squeeze the trigger. Subsequently unload the rifle in the manner described above.

### **Trigger Adjustment**

Independent of whether there is a mounted set-trigger or not, the trigger mechanism can be adjusted with respect to the trigger pull weight, and the trigger travel, before and after discharge (Fig. 5). The adjustment can be performed after taking the barreled action out of the stock by means of the setting screws A (trigger pull), B (trigger travel before) and C (trigger travel after discharge).



If the CZ 527 rifle is fitted with a set-trigger, the adjustment of the set-trigger is carried out by the screw located in front of the trigger (Fig. 6). For safety reasons do not adjust the set-trigger travel as too short, as the rifle with an activated set-trigger is very sensitive to shock, and during handling the rifle could unintentionally discharge. The safety of the set-trigger adjustment can be checked with the rifle unloaded by repeated opening and closing of the bolt combined with moving of the safety to its "ON" and "OFF" positions. The spontaneous release of the trigger must not occur.

**Note:** There is a possibility of dismantling the set-trigger from the rifle, without any impairment to the functional properties or adjustment of the conventional trigger.

### Sight Adjustment

The elevation correction is carried out by exchange of the front sight, when previously pressing the front sight detent (Fig. 7). The front sights are supplied in different sizes. Windage correction can be carried out by the drifting of the rear sight in the dovetail and then secured in its position by an indentation.

### Rifle Scope

Mounting of the riflescope and sighting-in of the rifle should be entrusted to a qualified gunsmith's workshop.

## MAINTENANCE INSTRUCTIONS

### Stripping for Cleaning - Disassembly

1. Remove the magazine.
2. Shift the safety to its "SAFETY-OFF" position in order that the bolt can be manipulated.
3. Open the bolt, and after swinging out the bolt stop (Fig. 8), pull the bolt rearwards out of the receiver.
4. Check that stock fastening bolts (items 69 and 70) are tight, and tighten them if necessary.

### **Disassembly of the Bolt**

As described above, remove the bolt from the rifle. Grasp the bolt body with your left/right hand and with the other screw off the bolt sleeve approx. by 90° to the left (Fig. 9). Doing this releases the firing pin spring, and makes it possible to pull the handle out off the bolt body and subsequently also the firing pin with the bolt sleeve and firing pin spring. If you want to dismantle the firing pin spring, press the firing pin spring retainer against the spring pressure approx. 2 mm, and then rotate in any direction by 90° and remove from the firing pin together with spring (Fig. 10).

Please note carefully the correlated positioning of parts, especially of the bolt body and the bolt body sleeve. After each disassembly and reassembly of the bolt, check for yourself if it is possible to engage the safety in the manner described in this Instruction Manual.

**CAUTION:** Do not strip your firearm any further. If you assume that your firearm requires adjustment or repair, entrust this work to a competent gunsmith in a specialized workshop!

### **Cleaning of the Rifle**

Clean the rifle

- Each time you use it
- If you get your rifle wet
- As soon as possible after shooting
- At least once a year in a temperate climate
- As often as once a month in a tropical climate, or other demanding environment

### **Cleaning the Barrel Bore and the Cartridge Chamber**

If the firearm has not been fired or if only a few cartridges have been fired, clean the barrel bore and cartridge chamber by a clean patch attached to a cleaning rod. Repeat, changing patches, until the last patch comes out clean.

When the barrel bore is very dirty, apply a gun cleaning solution using a cleaning brush. Let the solvent act for about 10 minutes (this time may vary depending on the solvent agent being used). Then thoroughly scrub out the barrel bore. Subsequently, dry the barrel bore and cartridge chamber with a clean patch and check that all powder residues or fouling have been removed. If necessary repeat this procedure.

The cleaning rod and the brush must be inserted into the barrel bore from the chamber, to prevent wear or damage to the muzzle. Pass the brush all the way through the barrel bore before reversing the movement. If you try to change directions with the brush in the barrel, the brush could stick.

### **Cleaning of Other Rifle Parts**

Other parts of the rifle can be cleaned with a dry cloth, old toothbrush, copper bristle brush or a wooden scraper. Preserving oil or paraffin oil can be used for proper cleaning. Never use the agent designed for barrel bore cleaning! These solutions could remain in the joints, and after some time could cause corrosion. Check that cloth particles or brush bristles have not become lodged in any part of the rifle. The maintenance of the stock can be carried out with a dry cloth or by some furniture-polishing product.

### **Preserving**

When the barrel bore, cartridge chamber, and all accessible parts are clean and dry, wipe these parts with a cloth soaked in gun oil or apply the oil in a spray. Remove all excess oil.

Before shooting always wipe the barrel bore dry. At very low temperatures remove the oil from all accessible parts or apply a lubricant prepared especially for these conditions.

Use thick preserving agents for example, preserving grease only for long-term storage in demanding climate environments, and before any use of the rifle it must be thoroughly removed from all parts of the firearm.

### **Waste Management**

When used properly, the materials used in the product and packaging have no adverse effects on human health or the environment. When disposing of the product or its packaging, metal parts (steel and non-ferrous metals), plastics, wood, paper and cardboard should be stored separately in collecting containers intended specifically for that purpose.

**LIST OF PARTS**

1 Barrel	24 Safety Spring	47 Adjusting Screw (B)	69 Frame Screw, Rear
2 Rear Sight	25 Bolt Handle Catch Plate	48 Spring, Trigger Pull	70 Frame Screw, Front
3 Front Sight	26 Bolt Handle Catch Post	49 Adjusting Screw, Trigger Pull (A)	71 Magazine Shell
4 Front Sight Base	27 Bolt Stop	50 Locking Nut	72 Follower
5 Insert	28 Bolt Stop Spring	51 Adjusting Screw, Trigger Overtravel (C)	73 Magazine Spring
6 Screw	29 Bolt Stop Pin	52 Locking Nut	74 Magazine Base Lock
7 Spring Washer	30 Pin	53 Nylon Pin (2x)	75 Magazine Floor Base
8 Front Sight Detent	31 Ejector	54 Trigger Mechanism	76 Fore End Band
9 Detent Spring	32 Ejector Spring	55 Screw	77 Fore End Band Screw
10 Pin, Front Sight Detent	33 Sear	56 Spring Washer	78 Fore End Nut
11 Front Sight Cover	34 Sear Stop	57 Stock	79 Trigger Spring
12 Receiver	35 Sear Stop Spring	58 Butt Plate	
13 Bolt	36 Sear Pin	59 Butt Plate Screw (2x)	
14 Bolt Handle	37 Trigger Housing	60 Swivel Wood Screw	
15 Extractor	38 Trigger	61 Sling Swivel	
16 Extractor Collar	39 Trigger Lever	62 Swivel Screw	
17 Firing Pin	40 Trigger Pin	63 Swivel Washer	
18 Firing Pin Spring	41 -	64 Sling Swivel Assy	
19 Firing Pin Spring Retainer	42 Adjusting Screw, Set - Trigger	65 Trigger Guard	
20 Bolt Handle Catch	43 Set-Trigger Lever	66 Magazine Catch	
21 Bolt Sleeve	44 Set-Trigger Lever Spring	67 Magazine Catch Spring	
22 Pin, Firing Pin	45 Pin	68 Rear Spacer	
23 Safety	46 Retaining Ring (2x)		

## TROUBLESHOOTING, CAUSES AND REMEDIES

If your firearm is properly used and maintained, malfunctions will rarely occur. However, if such a situation does occur please observe the following instructions.

**CAUTION** - if a malfunction occurs, the possibility of an unintentional discharge is substantially increased. For this reason, when clearing malfunctions, observe the Safety Instructions already mentioned above. Keep the rifle pointed in a safe direction, do not turn the rifle against your body or anyone else's. Do not place your hands in front of the barrel!

Malfunction	Possible Cause	Remedy
A cartridge has not been fed into the chamber.	Magazine is not fully inserted or is damaged. The rifle or cartridges are fouled (dirty).	Insert magazine properly or change magazine. Clean the rifle and cartridges and wipe them dry or as the case may be slightly lubricate.
Misfire.	Defective cartridge. Firing Pin hole fouled (dirty) or improper lubrication agent used during low temperature conditions.	Follow the Safety Instructions according to point 20. Disassemble and clean the firing pin or use low temperature lubricant.
A shot sounds "weak".	The primer has been activated but no powder load was inside the cartridge case.	Unload the rifle and check that the bullet is not lodged in the barrel. Any subsequent shot could cause damage to the barrel!
The spent case has not been ejected.	Cartridge chamber, extractor or ammunition dirty or unsuitable lubricant in low temperature environment.	Clean and wipe the rifle dry or eventually lubricate lightly with a suitable agent. Use clean and new ammunition.

If you cannot clear away any malfunction in the manner described above, entrust the rifle to a competent gunsmith for inspection and repair.

**TECHNICAL SPECIFICATIONS**

Model	Lux, Exclusive	FS			Carbine	Varmint	Varmint (USA)
		American, Prestige ①, Hunter ②, Royal ②					
Caliber	.22 Hornet, .222 Rem., .223 Rem., .221 Rem. ③, .204 Ruger			7,62x39, .223 Rem.	.222 Rem., .223 Rem., .204 Ruger	.223 Rem., .17 Rem., .204 Ruger	
Overall Length [mm]	1077	977	1025	950	1120	1062	
Barrel Length [mm]	601	520	556	470	650	610	
Sight radius (Mechanical sights) [mm]	462	382	-	330	-	-	
Weight (Empty Magazine) [kg]	2,8	2,7	2,8	2,7	3,3	3,2	
Magazine Capacity [cartridges]	5						
Trigger Pull, Adjustment Range [N]	12 - 22						

① only in cal. .22 Hornet, .222 Rem., .223 Rem.

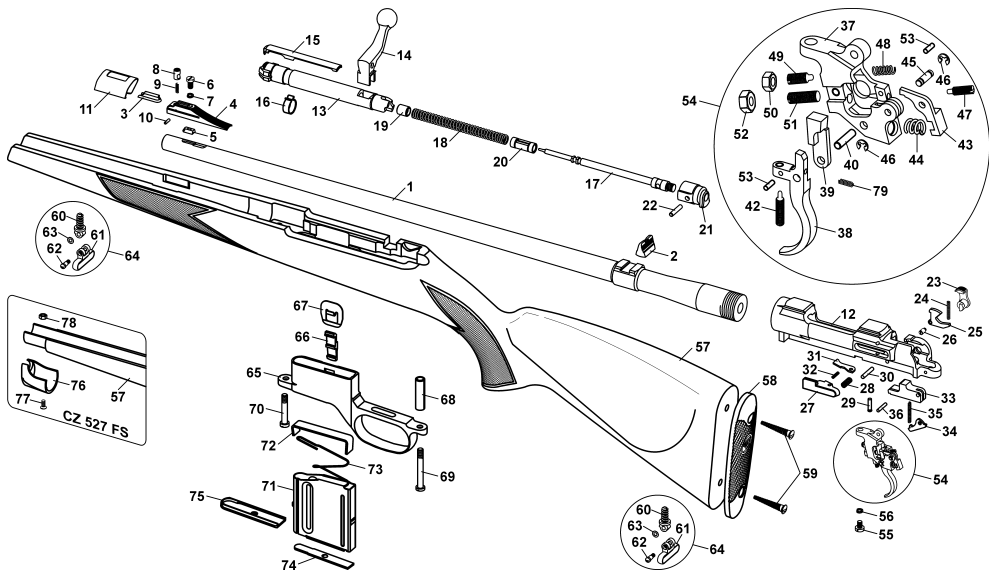
② only in cal. .223 Rem.

③ American (USA) model only

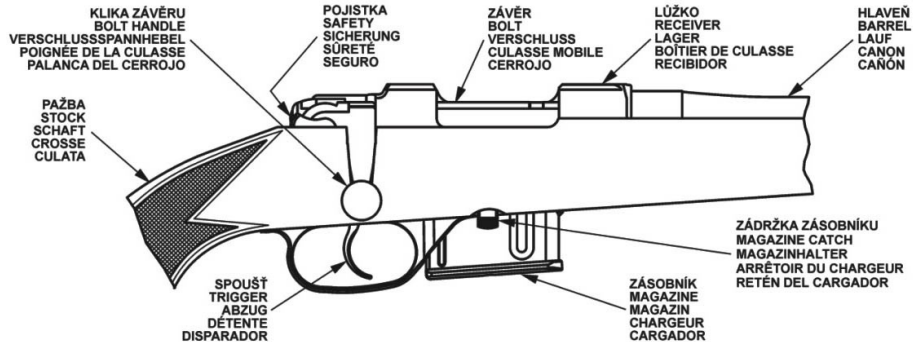
**LIST OF ILLUSTRATIONS**

1. The names of basic parts
2. Magazine removal
3. Shifting the safety to its "SAFETY-ON" position
4. Set-trigger activation
5. Trigger adjusting screws (A - trigger pull, B - trigger slack, C - trigger overtravel)
6. Set trigger adjusting screw
7. Front sight removal procedure
8. The bolt stop in its swung out position
9. The bolt disassembly
10. Disassembly of the firing pin spring

The Company, reserves the right to make any changes it thinks necessary to improve its models or to meet any requirements of manufacturing or commercial nature.







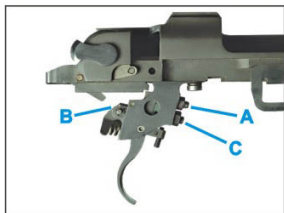
②



③



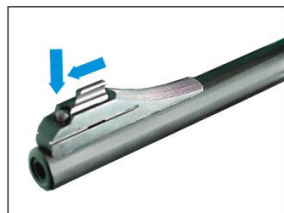
④



⑤



⑥



⑦



⑧



⑨



⑩