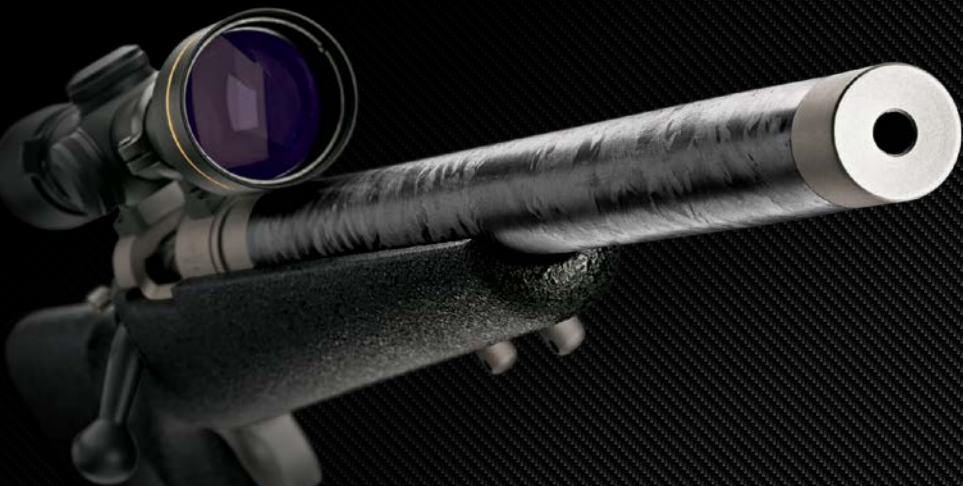


PROOF

Research

BOLT-ACTION
RIFLE MANUAL





Congratulations on the purchase of your PROOF Research™ firearm.

At PROOF Research we're committed to making the finest precision rifles available. When you hold a PROOF Research firearm you can have complete confidence in its accuracy and reliability, shot after shot, in every condition. With proper care it will give you a lifetime of dependable service. However, the performance of your firearm depends on its correct use and maintenance. Gun ownership demands diligent responsibility. At all times handle your firearm with respect for its power and potential danger. All firearms are unique. Please read this manual in its entirety before handling your new firearm.



IMPORTANT/WARNING

The first step in the responsible use of your firearm is to learn its unique features and requirements. Before taking your firearm out of the box it's important to fully understand critical safety, operating and maintenance instructions. Even if you're an experienced gun owner, read the instructions and warnings in this manual carefully before using the firearm. Failure to obey these instructions and warnings can result in serious injury or death. This manual should always accompany the firearm and be transferred with it upon change of ownership or when the firearm is presented to another person.

Additional copies of this manual are available at:
www.proofresearch.com

For product service, contact PROOF Research™ at:
(406) 756-9290

TABLE OF CONTENTS

Firearm Safety	4
Loading the Firearm	9
Firing	16
Unloading	16
Ammunition	17
Cleaning and Maintenance	18
“Breaking In” the Rifle	21
Trigger Adjustment	21
Warranty Information	22
Customer Service and Repairs	23



FIREARM SAFETY

A firearm is only as safe as the person who holds it. The following rules of gun safety should be part of your DNA and should govern your actions whenever you're engaged with a firearm.

- 1. Always treat a firearm as if it's loaded, even if you're absolutely certain it's not.** Remember, "Complacency kills!" By assuming that every firearm is always loaded you're more likely to maintain rigorous adherence to all principles and rules of firearm safety.
- 2. Never allow the muzzle to point at anything you're not willing to shoot.** Always keep the muzzle of your firearm pointed in a safe direction, even when it's unloaded. Be especially careful when loading and unloading.
- 3. Always keep your finger off the trigger until you're ready to fire.** Most negligent discharges would never have occurred had this simple rule been followed. Make it part of your DNA to keep your finger off the trigger and out of the trigger guard until you've identified your target and are ready to fire.
- 4. Know what lies around and beyond your target.** Never fire on a target if a miss or ricochet could result in destruction of property or physical injury. Never shoot at water or hard objects. Know the range of your ammunition and what lies within that range.



- 5. Never leave firearms or ammunition within reach of a child.** Store firearms in a locked gun safe or other secure location that physically prevents children and others from gaining access. Always store ammunition in a separate secure location. States have specific laws relating to children, minors and firearms, including firearm and ammunition storage. Know and follow your local laws.

- 6. Your firearm is your responsibility.** It is your sole responsibility to prevent your firearm from being stolen or used by untrained or unqualified individuals. Keep your firearms unloaded, locked and secured when not in use.
- 7. Always know and follow the law.** It is your responsibility to be familiar with all local, state and federal laws regarding the legal ownership, possession, safe storage and transportation of your firearm. Your local police department or firearms regulatory agency can provide you with information on possessing, using, storing and transporting your firearm legally.
- 8. Never rely solely on your firearm's Safety.** A Safety is a mechanical device that can fail, wear out over time or be jarred out of position. Always treat a gun as if it could fire at any time. Only load a round when you're ready to fire. Periodically test your firearm's Safety by ensuring the firearm is unloaded, putting the Safety in the "Safe" position, pointing the muzzle in a safe direction and verifying that the trigger will not fire.
- 9. Maintain safe control of your firearm at all times.** Always unload your firearm's chamber and set the Safety to "Safe" before climbing, jumping, crossing a fence or negotiating other obstacles. Never lean on your firearm. Never place it against a wall, fence, tree, car or any other unstable object from which it might fall. Dropping your firearm can result in an accidental discharge.



- 10. Never keep a firearm loaded when not in use.** When handling, cleaning, disassembling or handing your firearm to someone else, ensure that it is unloaded and that the muzzle is pointed in a safe direction. Never transport your firearm loaded.

11. Check for barrel obstructions. Before loading and shooting your firearm ensure that the barrel is clear of any obstructions. Verify that the firearm is unloaded then remove the bolt and look down the barrel from the chamber end to ensure the barrel is clear.

12. Never dry fire or practice fire your firearm before verifying physically and visually that it's unloaded.

Remember: Always assume a gun is loaded!

13. Always verify that your firearm is completely unloaded and ammunition is secured in a separate location before disassembling or cleaning. You've heard the stories. Firearms accidents frequently occur during cleaning and maintenance. Remember: "Complacency kills!"

14. Always use the proper ammunition. Every firearm is designed to use a specific caliber of ammunition. Never use ammunition that is not specifically designed and designated for your firearm. You are responsible for selecting ammunition that meets industry standards and is appropriate in type and caliber. Never mix ammunition. Always inspect ammunition before use. Never use dirty, corroded or damaged ammunition. Use only commercially manufactured ammunition with internal ballistic pressures that are in accordance with the specifications of the Sporting Arms and Ammunition Manufacturers' Institute (SAAMI). If you are uncertain, contact your ammunition supplier for verification. Failure to do so will void your warranty and may lead to excessive pressure and/or a burst cartridge, which may cause damage to the firearm and personal injury or death. It only takes one cartridge of the incorrect caliber to destroy your firearm.

15. Be alert to signs of ammunition malfunction. Upon detecting an unusually loud or unusually soft report or light recoil do not load another round into the chamber. Fully unload the firearm (chamber unloaded and magazine removed, where applicable). Remove the bolt, where applicable, and visually inspect the bore from the chamber end. If an obstruction is present it must be removed before loading and firing again. Failure to do so could result in serious damage to your firearm as well as yourself and others.

16. If your firearm fails to fire, keep the muzzle pointed in a safe direction. Maintain this position for a least one minute. After one minute, set the Safety to "Safe." Remove the magazine, if there is one, before cycling the bolt to remove the chambered round. If the primer is indented, the cartridge should be safely disposed of.

If the primer is not indented, ensure the firearm is completely unloaded and have it inspected by a qualified gunsmith to correct the cause of malfunction before further use.

17. Never operate or handle a firearm while under the influence of drugs or alcohol. Guns and alcohol or drugs make a deadly combination. Never consume anything that would even mildly impair your physical ability or judgment to use a firearm or follow these safety instructions.

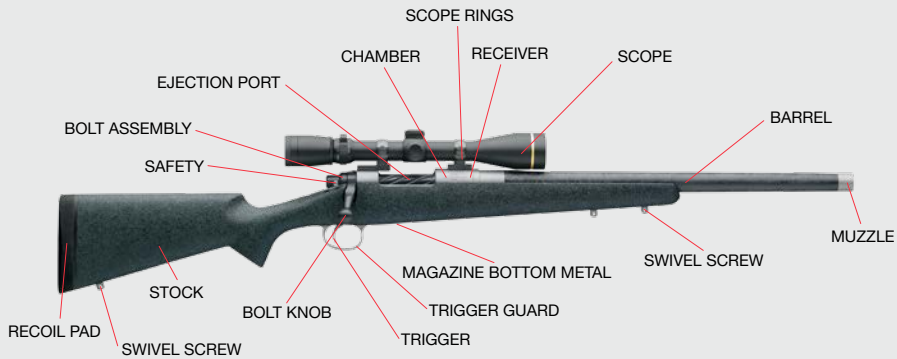


18. Eyes and ears. Always wear eye and ear protection while shooting to prevent sight and hearing injury. Make sure bystanders do as well. Always wear eye protection when disassembling or cleaning your firearm so that tensioned parts or cleaning solvents don't come in contact with your eyes.

19. Always have adequate ventilation. Discharging firearms in poorly ventilated areas, cleaning firearms or handling ammunition may result in exposure to lead and other substances known to cause birth defects, reproductive harm and other physical injury. Review warnings and labels for all ammunition and cleaning products carefully and follow manufacturer's instructions. Wash your hands thoroughly after shooting or cleaning your firearm.

20. Maintain your firearm. Firearms are mechanical devices and are subject to wear. Not only is it important to keep your firearm clean, but it's important to periodically inspect your firearm for unusual wear, defects or needed adjustments. PROOF Research firearms should only be serviced by a qualified gunsmith. PROOF Research cannot assume any responsibility for injuries suffered or caused by unauthorized or incorrect servicing, alterations or modifications of PROOF Research firearms.

IMPORTANT PARTS OF THE FIREARM



This diagram illustrates the primary components of your PROOF Research rifle that you will need to be familiar with in order to understand the instructions in this manual.

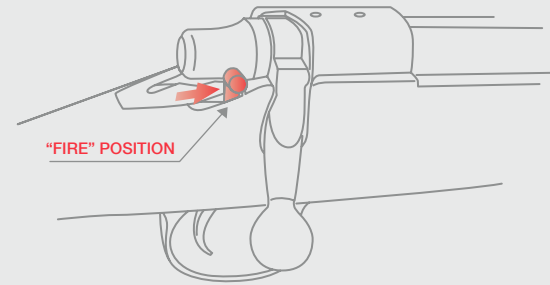
!WARNING!

Altering or modifying parts on your PROOF Research firearm is dangerous and will void the warranty. This PROOF Research firearm was manufactured to perform properly with the original parts as designed. It is your duty to make sure any parts you buy are designed for this firearm, are installed correctly, and that neither the replacement parts nor original firearm are altered in any way. Your PROOF Research firearm is a complex and precise tool with many parts that must interact correctly with the other parts for proper and safe operation. **Assembling your PROOF Research firearm incorrectly or assembling it with incorrect or modified parts can result in a malfunction that can damage your firearm and/or cause serious injury or death to you and others. Always have a qualified gunsmith work on your firearm.**

PROOF RESEARCH reserves the right to refuse service on firearms that have been modified, added to, or substantially changed.

THE SAFETY

When properly engaged, the Safety helps prevent against unintentional discharge of your firearm. It is located on the same side of the rifle as the bolt handle. The Safety is engaged when it's in the rear position (**Safe**) and disengaged when in the forward position (**Fire**). When the Safety is engaged it prevents the trigger from firing, but allows the bolt to open. The Safety should always be engaged unless firing the rifle is imminent.



!WARNING! THE SAFETY IS A MECHANICAL DEVICE AND CAN FAIL. NEVER RELY ON THE SAFETY TO PREVENT YOUR FIREARM FROM FIRING.

!WARNING! NEVER USE A FIREARM WITH A SAFETY THAT DOES NOT FUNCTION PROPERLY.

!WARNING! NEVER PULL THE TRIGGER WHEN THE SAFETY IS IN THE "SAFE" POSITION UNLESS YOU ARE PREPARED TO FIRE THE FIREARM.

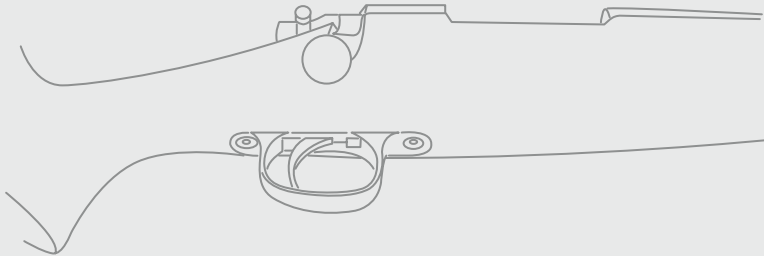
Only the PROOF Research factory or a qualified gunsmith should adjust the Safety.

LOADING THE FIREARM

!CAUTION! Before loading the rifle, ensure that it's pointed in a safe direction and the Safety is engaged. Always use clean and undamaged ammunition of the correct caliber. Using compromised ammunition could result in damage to your rifle and property and injury or death to you and others. The use of improperly reloaded or high-pressure ammunition can be dangerous and will void your warranty.

Your PROOF Research rifle will have one of three magazine styles - Blind Magazine (**ADL** Style), Hinged Floor Plate (**BDL** Style), or a Detachable Box Magazine (**DBM**).

BLIND MAGAZINE (ADL STYLE)

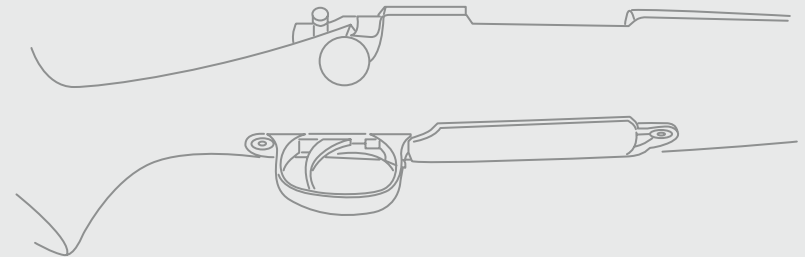


The **ADL** magazine is loaded from the top. Capacity is typically three rounds of standard calibers and two rounds of magnum calibers, but can vary depending on cartridge size. Know the capacity of your magazine. Never try to force an extra round into the magazine once resistance occurs. Doing so may result in damage to the magazine feed lips.

1. To load, ensure that the Safety is in the “Safe” position and point the firearm in a safe direction. Raise the bolt handle and pull the bolt all the way back. With the rifle and cartridge facing forward, place a cartridge between the lips of the magazine and press down until it is retained by the magazine feed lips.
2. Place the next cartridge on top of the last and press down until it is retained by the magazine feed lips.
3. Repeat until desired number of cartridges are loaded.

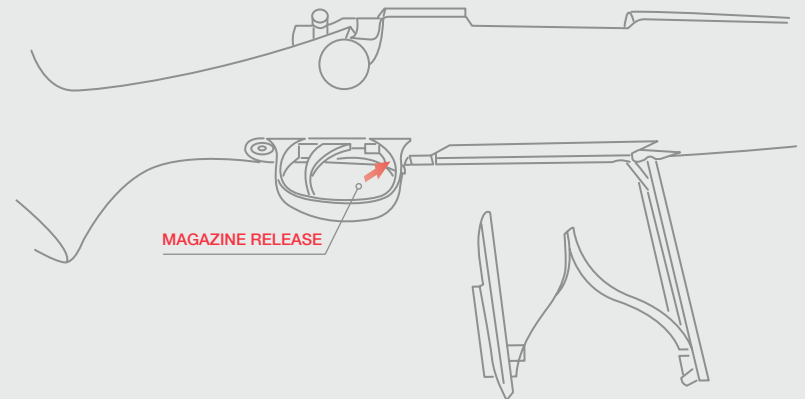
Ensure that the cartridges are aligned toward the chamber and seated at the back of the magazine. Using your fingers, push the cartridges down into the magazine and slowly slide the bolt assembly forward so that the bolt slides over the top of the cartridges, but does not chamber a round. Your magazine is now loaded and the chamber is empty.

HINGED FLOOR PLATE (BDL STYLE)



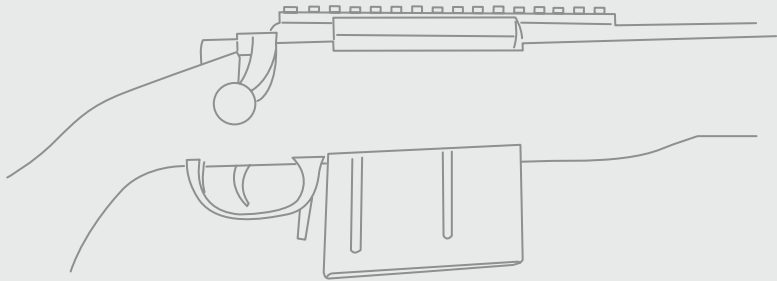
The **BDL** magazine is loaded from either the top or bottom and holds four rounds of standard calibers or three rounds of magnum calibers.

1. To load from the top, follow the instructions for loading the Blind Magazine above.
2. To load from the bottom, open the magazine by pressing the magazine release located near the floor plate.



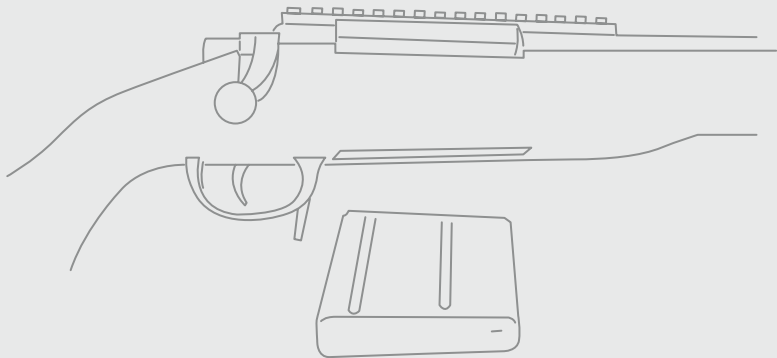
3. Load the cartridges facing forward above the spring and follower and then close the floor plate. Your magazine is now loaded and the chamber is empty.

DETACHABLE BOX MAGAZINE (DBM STYLE)



The magazine is loaded independently from the rifle and holds four rounds.

1. Remove the magazine by pushing the magazine release lever forward and pulling down on the magazine. With the magazine and cartridge facing forward, place a cartridge to the front of the magazine feed lips. Press down on the rear of the cartridge and slide it fully rearward so it is retained by the magazine feed lips.



2. Repeat until the desired number of cartridges are loaded. To load the magazine into the rifle, simply press it firmly into the magazine well until you hear a click.

LOADING THE CHAMBER

NEVER LOAD THE CHAMBER UNTIL YOU'RE READY TO SHOOT. KEEP THE MUZZLE POINTED IN A SAFE DIRECTION AND YOUR FINGER AWAY FROM THE TRIGGER.

Ensure the Safety is in the "Safe" (rearward) position. After loading the magazine, simply pull the bolt handle up and fully back then push forward. The bolt will engage a cartridge and insert it into the chamber. Close the bolt by pushing it into its full down position.

!WARNING! THE RIFLE IS NOW READY TO FIRE BY SIMPLY MOVING THE SAFETY TO THE OFF POSITION AND PULLING THE TRIGGER.

LOADING THE MAGAZINE, BUT NOT THE CHAMBER

Once the magazine is fully loaded it's possible to close the bolt without chambering a cartridge.

REMEMBER: NEVER CHAMBER A CARTRIDGE UNTIL YOU ARE READY TO SHOOT.

Ensure the Safety is in the "Safe" position. Now, with the bolt open, use your fingers to push the cartridges down into the magazine then carefully slide the bolt forward until the bolt face is well ahead of the rim of the top cartridge in the magazine. Remove your fingers and close the bolt. The magazine is now fully loaded, but there is no cartridge in the chamber.

When ready to fire, simply pull the bolt handle up and fully back then fully forward and down. This picks up a cartridge from the magazine and moves it into the chamber. The rifle is now ready to fire.

LOADING THE RIFLE TO FULL CAPACITY

To load the rifle to full capacity (magazine fully loaded and a cartridge in the chamber), first ensure the Safety is in the "Safe" position and the muzzle is pointed in a safe direction.

1. Load the magazine to capacity as explained previously.
2. Pull the bolt handle up and to the rear then place a cartridge directly into the chamber.
3. Now press down on the cartridges in the magazine with your fingers and slide the bolt forward until the bolt face is well ahead of the rim of the top cartridge in the magazine. Fully close the bolt. This chambers the cartridge without picking up a cartridge from the magazine.

PROOF Research is a science-based company committed to redefining the firearms industry by creating innovative next-generation products. Headquartered in Northwest Montana, just minutes from the entrance to Glacier National Park, we've brought together some of the finest minds, experience and innovations in the industry to produce carbon fiber barrels and complete rifle systems that are lighter, more durable and more accurate than anything else on the market. Our state-of-the-art manufacturing facility includes a million-frame-per-second high-speed ballistic camera, a ballistic lab, a thermal-imaging infrared camera and an indoor test range rated to .50 BMG. As a growing industry leader we are committed to reducing weight while

improving accuracy and performance. Our patented manufacturing process utilizes aircraft-grade carbon fiber in conjunction with high-temperature aerospace resins creating a powerful platform capable of launching a new class of products for both the sportsman and the Warfighter.

CARBON FIBER PERFECTED.



!WARNING! THE RIFLE IS NOW READY TO FIRE BY SIMPLY MOVING THE SAFETY TO THE OFF POSITION AND PULLING THE TRIGGER.

FIRING

!WARNING! NEVER LOAD THE CHAMBER UNTIL YOU'RE READY TO SHOOT. KEEP THE MUZZLE POINTED IN A SAFE DIRECTION AND YOUR FINGER AWAY FROM THE TRIGGER.

BEFORE FIRING, KNOW YOUR TARGET AND BEYOND.

After a cartridge is in the chamber and the rifle is pointed in a safe direction, simply push the Safety forward into the "Fire" position. Take aim and squeeze the trigger.

After a cartridge is fired, cycle the bolt rearward to eject the empty case.

!WARNING! EJECTED BRASS IS HOT! ENSURE BYSTANDERS ARE AT A SAFE DISTANCE AND WELL TO THE REAR BEFORE EJECTING EMPTY CARTRIDGES.

If you wish to continue shooting, push the bolt fully forward. This picks up another cartridge from the magazine and chambers it.

AFTER FIRING, IMMEDIATELY PLACE THE SAFETY IN THE "SAFE" POSITION. ALWAYS INSPECT THE CHAMBER, BARREL, FEED MECHANISM AND MAGAZINE TO ENSURE THE RIFLE IS COMPLETELY UNLOADED.

UNLOADING

WHEN UNLOADING YOUR RIFLE, ALWAYS KEEP THE MUZZLE POINTED IN A SAFE DIRECTION AND YOUR FINGER AWAY FROM THE TRIGGER.

BLIND MAGAZINE (ADL STYLE)

Place the rifle on "Safe." Lift the bolt handle and pull back to eject the cartridge. Continue cycling the bolt (forward and back) until all cartridges have been ejected. Inspect the chamber to be certain all cartridges have been extracted.

HINGED FLOOR PLATE (BDL STYLE)

Place the rifle on "Safe." Press the magazine release underneath your rifle with one hand while using your other hand to catch the cartridges. Inspect the chamber to be certain all cartridges have been extracted.

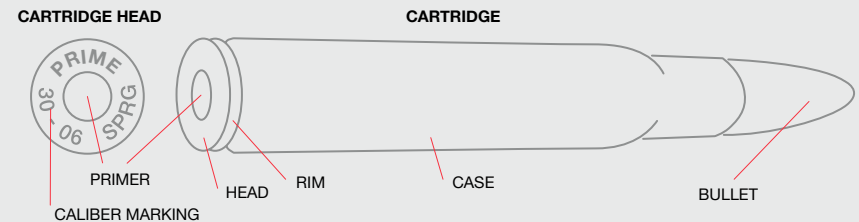
DETACHABLE BOX MAGAZINE (DBM STYLE)

Place the rifle on "Safe." Release the magazine by pushing the magazine release lever forward and pulling down on the magazine. Cycle the bolt to ensure there is no cartridge left in the chamber.

AMMUNITION

!WARNING! Only use ammunition of the caliber that is inscribed on your barrel. Examine every cartridge you put in your firearm to ensure that it is undamaged and of the correct caliber.

PROOF Research will not warranty any damages or be liable for injuries due to faulty, non-standard or improperly hand-loaded ammunition. Use caution with wildcat cartridges as some do not have SAMMI (Sporting Arms and Ammunition Manufacturers' Institute) approved dimensions.



- Use only commercial-grade ammunition in its original packaging that corresponds with the caliber of your gun. The correct caliber is inscribed on the barrel. You are responsible for selecting ammunition that meets industry standards and is appropriate in type and caliber.
- Never use reloaded, wet, corroded, bent, dented, damaged or waxed ammunition.
- Never mix ammunition.

- Never use reloaded, refurbished, hand-loaded or non-standard ammunition of a different caliber.
- Never leave ammunition unattended.
- Store ammunition securely in a separate location from your firearm.

!WARNING! Ammunition contains lead. Always wash your hands after firing or handling ammunition.

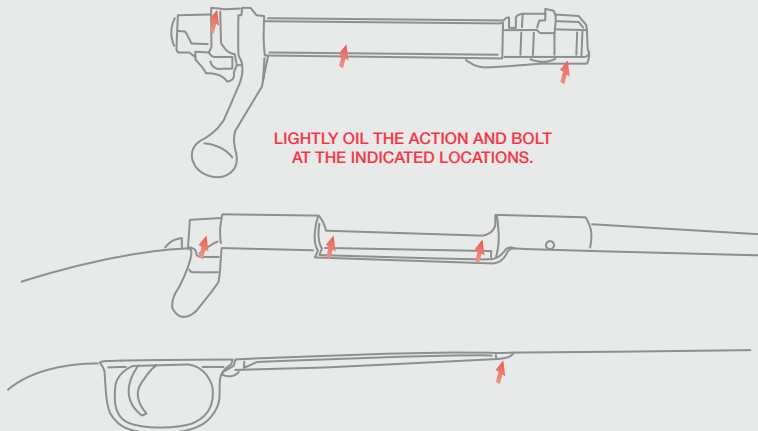
CLEANING AND MAINTENANCE

!WARNING! Before cleaning, ensure that your firearm is completely unloaded (both the chamber and the magazine). Failure to do so could result in serious injury or death.

!WARNING! Always wear eye protection when disassembling or cleaning your rifle to prevent springs, spring-loaded parts, solvents or oils from contacting your eyes.

In order to function safely and reliably your PROOF Research rifle should be routinely cleaned to ensure that it is free of rust, dirt, grease and firing residue. Clean your rifle before and after long-term storage, when the rifle has been exposed to moisture or dirt, and after every day of shooting. Any failure to feed or extract a round may be an indication of a dirty chamber or magazine. Excess dirt, residue or oil in the chamber can cause malfunctions.

A minimum cleaning will include wiping down the firearm and oiling key parts. Apply a few drops of light gun oil on the following surfaces.



A more thorough cleaning will also include cleaning and oiling the barrel, and cleaning and oiling the firing pin.

All metal parts should be wiped clean and protected with a thin layer of oil, especially before being stored. Only a light application of oil is needed to prevent rust and maintain proper function of your firearm. Don't over lubricate! Aluminum, plastic, or composite parts do not require lubrication.

The exterior surface of your carbon fiber barrel is virtually maintenance-free and does not require the application of solvents or oil. Should your carbon fiber barrel ever require cleaning, we recommend wiping it with a soft, clean cloth using a mild detergent.

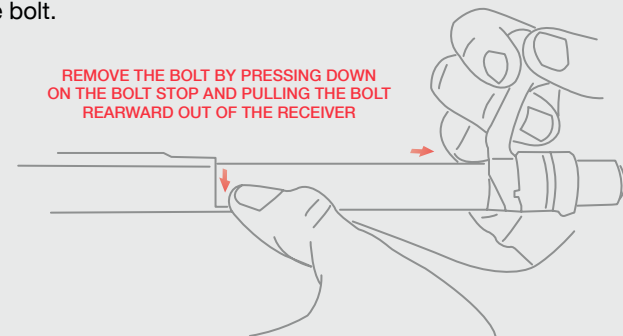
RECOMMENDED SOURCES FOR CLEANING SUPPLIES

- Cleaning Solvent:** Butch's Bore Shine, Hoppe's #9, Shooter's Choice
- Copper Remover:** KG12, CR-10, Butch's Bore Shine
- Cleaning Rod:** Dewey, Parker-Hale, Outers
- Bronze Wire Brush:** Sinclair International, Brownell's
- Bore Guide:** Possum Hollow, Sinclair International
- Brush Cleaner:** CRC Brakleen

CLEANING THE BARREL

NOTE: PROOF Research recommends always using a bore guide to protect the barrel throat from bowed or misaligned cleaning rods. Do not use brushes made from materials other than nylon or bronze as they can damage the internal surface of your barrel.

1. Check the chamber and magazine to ensure the firearm is completely unloaded.
2. Remove the bolt by raising the handle and drawing the bolt fully to the rear. Depress the bolt stop located at the rear of the receiver and remove the bolt.



3. Always clean the barrel from the chamber end to the muzzle (the direction of bullet travel). To remove loose powder residue, run three wet patches through the full length of the barrel using a high-quality, one-piece coated rod, bronze bore brush and powder fouling removing solvent.
4. Run one wet patch through the barrel to remove any dissolved powder residue.
5. For heavier fouling, soak a bronze wire brush with solvent and brush the barrel several times. Push the brush through the bore until it extends beyond the muzzle. (Never reverse the direction of the brush while in the bore.) Run three more wet patches through the barrel and let the solvent work for another ten minutes.
6. Run three dry patches through the barrel or until the patches come out dry.
7. Follow steps 3 through 6 until the patches come out clean.

Inspect the interior of the bore for copper fouling. Modern cartridge jackets are made mainly of copper. Copper residue sticks to the barrel and can require more rigorous cleaning. A copper solvent may be necessary to remove copper fouling. Follow the manufacturer's directions when using a copper solvent.

8. After all fouling has been removed and the chamber and bore are dry, pass a slightly oiled patch through it for storage. A fine, light gun oil is recommended.

NOTE: Before firing the firearm all excess lubrication should be removed and the chamber and bore should be thoroughly wiped dry.

CLEANING THE RECEIVER, TRIGGER AND BOLT ASSEMBLY

!WARNING! Always wear eye protection when disassembling or cleaning your rifle to prevent springs, spring-loaded parts, solvents or oils from contacting your eyes.

1. Check the chamber and magazine to ensure that the firearm is completely unloaded and the Safety is in the "Safe" or rearward position.

2. Remove the bolt by raising the handle and drawing the bolt fully to the rear. Depress the bolt stop located at the rear of the receiver and remove the bolt. Clean and lubricate the bolt.
3. Turn the rifle upside down and remove the trigger guard and stock screws.
4. Lift the barreled receiver and trigger assembly away from the stock.
5. With a clean cloth and cleaning solvent, clean the trigger assembly and receiver as a unit.
6. Apply a thin coat of light gun oil.
7. Wait 15 minutes then wipe off excess lubricant with a clean cloth.
8. Replace the receiver, trigger and bolt assembly.

"BREAKING IN" THE RIFLE

Barrel break-in is performed in order to smooth out any micro-roughness in the bore that may occur after initial projectiles pass through the barrel. The first few rounds fired will typically leave an uneven, and possibly excessive, distribution of copper in the bore, which is why it is sometimes necessary to use copper solvent. However, it's not necessary to remove every trace of copper. Don't overthink barrel break-in.

NOTE: Never use bullets coated with molybdenum compounds (moly-coated) during the break-in period. Moly-coated ammunition should not be used until at least 100 rounds of standard copper-jacketed bullets have been fired. PROOF Research does not recommend the use of moly-coated ammunition in general. To break-in the rifle, perform the following steps:

1. Shoot three shots and then clean (see cleaning instructions above).
2. Shoot three more shots and clean again.
3. Shoot five more shots and clean again.

TRIGGER ADJUSTMENT

Unless otherwise specified, the trigger on your rifle was set at the factory at 2 1/2 pounds of pressure. Although trigger adjustments should be unnecessary, the trigger can be adjusted for overtravel, sear engagement and trigger pressure. PROOF Research recommends that only a qualified gunsmith adjust the trigger. For instructions on trigger adjustment, have your gunsmith contact our factory.

WARRANTY INFORMATION

We are proud to say that we receive an extremely low number of warranty inquiries. Of those few, most prove to be caused by improper handling or some other factor unrelated to our product. Please diligently evaluate all possible causes of rifle functionality issues before making a warranty claim. If a customer returns a firearm for evaluation and our inspection and testing prove it to be of proper manufacture, functionality and accuracy, we reserve the right to charge a nominal fee to cover the cost of the inspection and testing.

PROOF Research stands behind its products. If a warranty claim is merited, we are easy to work with and will make every reasonable effort to ensure that the customer is satisfied.

PROOF Research guarantees only those products manufactured by PROOF Research. To ensure your purchase is covered by our warranty, please fill out and return the warranty card at the rear of this manual within 30 days of delivery. This warranty is only applicable to the original owner who has registered his or her firearm with PROOF Research and is not transferable.

Before leaving the factory, your PROOF Research firearm was tested, inspected and carefully packaged. PROOF Research has no control over product handling after it leaves the factory.

WHAT YOUR WARRANTY COVERS

Your PROOF Research firearm is warranted against defects in material and workmanship. If the firearm is defective in any way it should be returned to us. If after receipt and inspection of the firearm PROOF Research determines that defects have occurred due to manufacturing, all parts and labor, or replacement or refund will be covered at our discretion.

WHAT YOUR WARRANTY DOES NOT COVER

- Any component not manufactured by PROOF Research.
- Cryogenically treated metal work.
- Normal wear to the finish of the rifle.

- Damage to the rifle that is determined by PROOF Research to be the result of abuse, neglect, misuse, corrosion, improper care, or careless or improper handling.
- Damage due to the use of wrong caliber ammunition or ammunition other than high-quality commercially-manufactured ammunition in good condition.
- Damage due to natural causes or damage during shipping.
- Normal wear or barrel throat erosion.
- Damage or malfunction due to alterations, unauthorized adjustments, parts replacement or service of the rifle by anyone other than a PROOF Research technician.

Transportation to and from our repair facilities, government fees, damage caused by failure to perform normal maintenance, sales outside the United States, damage due to high-velocity, high-pressure, reloaded or other nonstandard ammunition, or any unauthorized repair, modification, misuse, abuse or alteration of the product is not covered by this Limited Warranty. Consequential or incidental damages and/or expenses, or any other expenses are not covered by this warranty.

This warranty gives you specific legal rights. You may also have other legal rights, which vary from state to state. Some states do not allow limitations on how long an implied warranty lasts, so the above limitation or exclusions may not apply to you.

CUSTOMER SERVICE AND REPAIRS

If you have a question, suspect a warranty problem, or need assistance with your PROOF Research rifle, please contact the factory at (406) 756-9290 or email us at support@proofresearch.com. Please do not return any product to us without first contacting customer service and obtaining a Return Merchandise Authorization (RMA) number. Having your serial number available (if applicable) will help us expedite your service.

If a PROOF Research representative determines that the rifle should be returned for service, you will be asked to ship the rifle to the factory.

NOTE: Possession of a Federal Firearms License (FFL) is not required to ship the rifle. Federal law allows consumers to ship a firearm directly to the factory in the event of a warranty service claim. Please follow these instructions for shipping and handling:

- Before shipping, ensure that the rifle is unloaded.
- Pack your firearm carefully using a case designed for shipping rifles.
- Remove scope, slings and all other accessories unless otherwise specified by a PROOF Research technician.
- Include the model number, serial number, description of damage or problem, name, return address, phone number, and under what circumstances the problem occurs.
- Keep a record of your serial number when returning the firearm.
- Clearly mark your return shipping address on the outside of the box and inside on your instruction sheet.
- Do not ship live ammunition with the rifle.
- Ship to the following address:

PROOF Research
10 Western Village Lane
Columbia Falls, MT 59912

Limited Lifetime **Warranty** and **Certificate of Ownership**

Protect your investment. To register your firearm with PROOF Research, complete the information below and return it to PROOF Research within 30 days of purchase. The serial number can be found on the side of the receiver.

Model _____

Serial Number _____ Caliber _____

Date of Purchase _____

I have read the Owner's Manual and request registration of my warranty.

(Signature of Owner)

Owner Name _____

Address _____

City _____ State _____

Zip Code _____

Please make a copy of this page and mail it to PROOF Research. Retain this copy for future warranty claims or repair work. To register online, go to www.proofresearch.com





PROOF Research

10 Western Village Lane
Columbia Falls, Montana 59912

406-756-9290

www.proofresearch.com

VER/012014