

MODEL 1216

Semi-auto 12 Gauge Shotgun



OPERATING INSTRUCTIONS LIMITED WARRANTY



CONTENTS

GENERAL DESCRIPTION	2
TECHNICAL DATA	2
COMPONENT PARTS	3
THE SAFETY	4
OPERATION	5
DISASSEMBLY/REASSEMBLY	8
CLEANING/MAINTENANCE	10
LEFT/RIGHT HANDED CONFIGURATION	10
DIAGRAMS	11
PARTS LIST	14
LIMITED WARRANTY	15
BASIC SAFETY	16

READ BEFORE USING THIS FIREARM

Only when you are certain you fully understand the manual and can properly carry out the instructions should you practice loading and unloading the firearm with live ammunition. Caution: Firearms are dangerous and deadly instruments. If this firearm is carelessly or improperly handled accidental death, serious injury or property damage may result. Always assume that the SRM Model 1216 or any other firearm is loaded and capable of being discharged until you have personally checked whether the firearm is in fact unloaded. To reduce the possibility of an accidental discharge do not place your finger on the trigger of the firearm until it is pointed in a safe direction and you intend to fire. The safety of yourself and others depends on your knowledge and use of safe firearm practices. Keep this firearm away from unauthorized users. If unfamiliar with firearms seek advice from a responsible instructor.

GENERAL DESCRIPTION

The SRM Arms, Inc. Model 1216 is a semi-automatic 12 gauge shotgun. It uses either 2-3/4 or 3 inch 12 gauge shells. The detachable magazine holds a total of 16 shells in 4 separate tubes of 4 shells each. The firearm may be configured for either left or right handed use.

After the magazine is inserted and indexed, the shooter pulls back (rearward) on the bolt handle to feed a shell out of the magazine onto the shell carrier. When the bolt handle has reached the rearward most position the shooter releases the handle to allow it to move forward and chamber a shell. If the magazine is inserted with the bolt already open the bolt will automatically move forward to chamber a shell. After pointing the firearm on target the safety is disengaged and the trigger is pulled firing the first round.

The firearm operates on a roller delayed blowback principal. When the trigger is pulled and a shell is fired, the force of the shell drives the bolt and carrier rearwards. This movement is delayed by the mechanical arrangement of the bolt until the pressure has dropped to a safe limit.

As the bolt travels rearward the fired shell is extracted and a new shell is released from the magazine onto the carrier for loading. Following recoil the bolt moves forward loading the next shell. After the last shell is fired the bolt locks in the rearmost position.

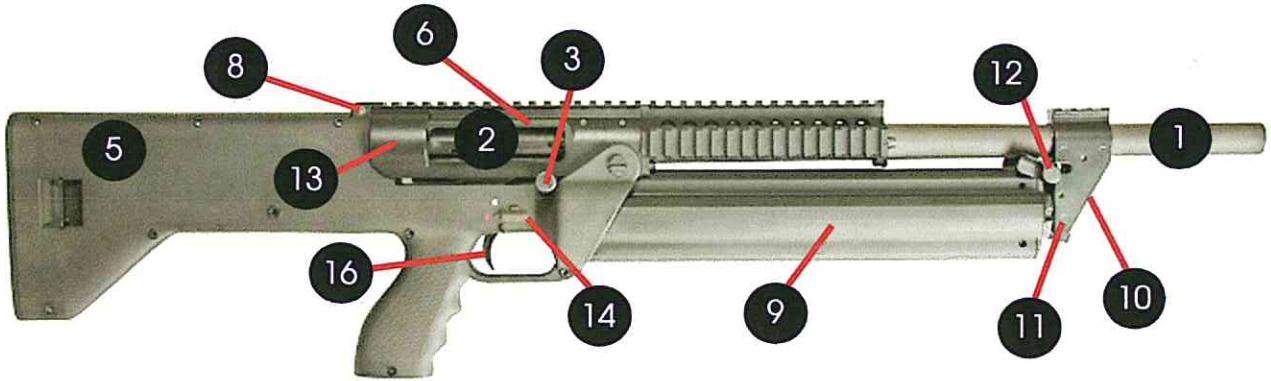
The shooter presses forward on the magazine index lever and rotates the magazine 90 degrees in either a clockwise or counterwise direction. The magazine index lever is then released to lock the magazine in place after this rotation. Once the magazine is rotated into proper alignment the bolt is automatically released and the next shell is chambered.

Operation is repeated until each magazine tube is emptied. The magazine is removed from the firearm by depressing the magazine release lever located on the front end of the magazine hanger directly beneath the barrel.

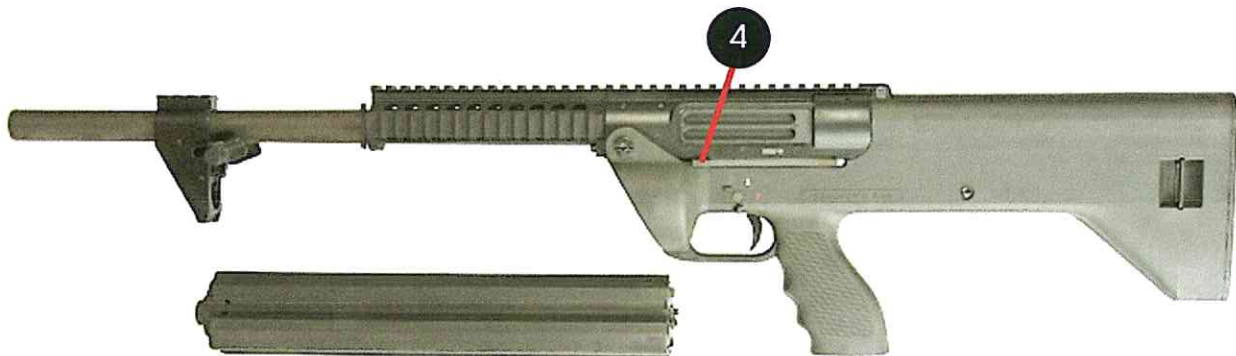
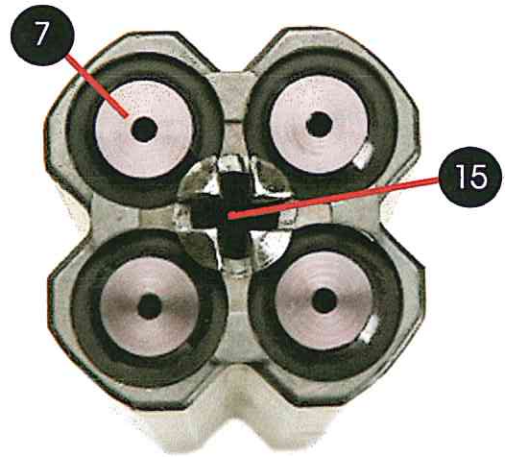
TECHNICAL DATA

CALIBER:	12 Gauge 2-3/4 or 3 inch
BARREL LENGTH:	18.5 Inches
OVERALL LENGTH:	34.5 Inches
HEIGHT:	8 Inches
WEIGHT:	6.5 lbs (without magazine) 7.5 lbs (with magazine)
MAGAZINE:	16 round capacity
ACTION:	Semi-automatic
OPERATION:	Roller delayed blowback

COMPONENT PARTS



1. Barrel
2. Bolt
3. Bolt Handle
4. Bolt Stop
5. Buttstock
6. Ejection Port
7. Follower
8. Latch Pin
9. Magazine
10. Magazine Release Lever
11. Magazine Hanger
12. Magazine Index Lever
13. Receiver
14. Safety Selector
15. Shell Retainer
16. Trigger



THE SAFETY

The safety should be on at all times except when the firearm is pointed at the target and the shooter is ready to fire.

Before preparing to use the firearm, first make sure the selector lever (located above the trigger) is in the “S” or safe position, which is vertical. FIGURE 1.

The fire or “F” position is horizontal. FIGURE 2.

When disengaging the safety move it fully into the “F” or off position.



FIGURE 1



FIGURE 2

CAUTION: REMOVING THE MAGAZINE DOES NOT PREVENT THE FIREARM FROM BEING FIRED. IF A SHELL IS IN THE CHAMBER AND THE SAFETY IS OFF THE SHELL WILL DISCHARGE IF THE TRIGGER IS PULLED.

Never rely on a safety mechanism. Do not substitute a safety for appropriate firearm handling. The safety may be subject to breakage or malfunction and can be adversely affected by wear, abuse, corrosion, dirt, improper adjustment, incorrect assembly, or lack of maintenance. If foreign debris or material enters the firearm the safety may not operate correctly. Failure to keep the firearm clean and in proper working condition can lead to a dangerous condition.

Leave the safety on until ready to shoot the weapon and the firearm is pointed at the target. Always keep your finger off the trigger and point the muzzle in a safe direction when disengaging the safety.

OPERATION

LOADING/UNLOADING THE MAGAZINE

The firearm may use either 2-3/4 or 3 inch 12 gauge shells. Use only shells of this size.

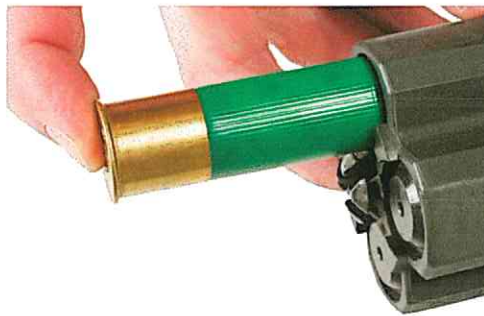


FIGURE 3

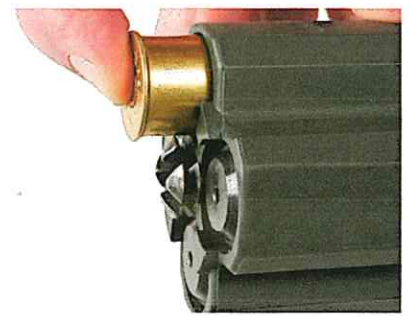
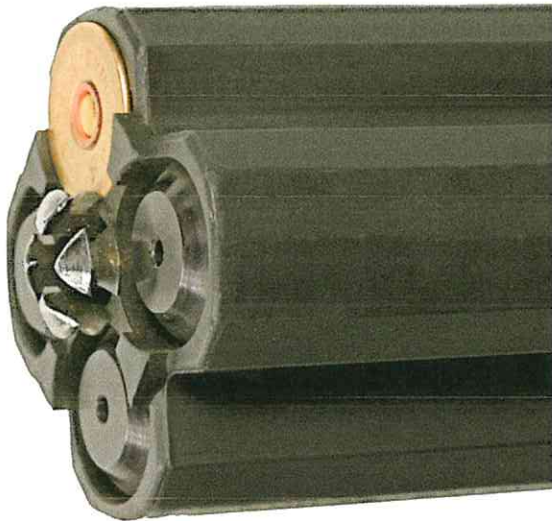
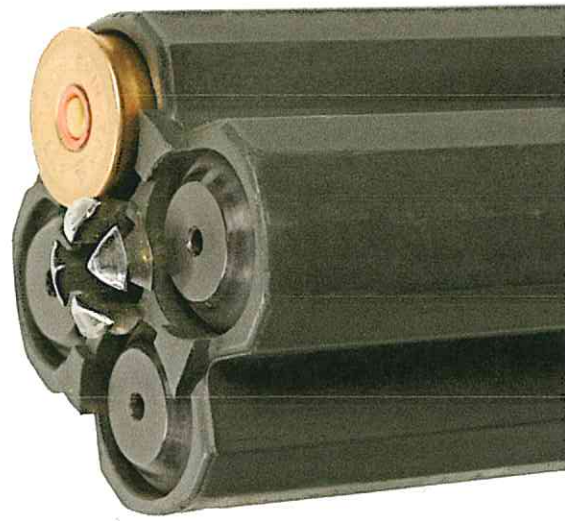


FIGURE 4

To load the magazine place the first shell on top of one of the four magazine followers. FIGURE 3. Make sure the shot or projectile end of the shell is pointing towards the front of the magazine. Push the shell against the follower and insert it into the magazine. FIGURE 4.



CORRECT FIGURE 5



INCORRECT FIGURE 6

The shell retainer has two separate steps. The shell must be fully seated beneath both of these steps. FIGURE 5. Do not insert a loaded magazine in the firearm if a shell is not fully seated in the magazine. FIGURE 6. Place additional shells in the magazine tube up to four shells in each tube. Repeat this procedure for each tube of the magazine as desired.

To unload a magazine pull inward on the upper edge of the shell retainer, located in the center of the magazine. FIGURE 7.



FIGURE 7

Use only original commercially manufactured ammunition in good condition which is appropriate to the firearm. SRM Arms does not recommend the use of remanufactured or hand loaded ammunition.

Do not use shells that are wet, corroded, damaged or dirty.

Do not use lubricants where excess material may contact the shells. Foreign matter or lubricant on shells may cause a dangerous malfunction.

The use of reloaded, remanufactured, hand loaded or other non standard ammunition voids all warranties. Improperly loaded ammunition voids all warranties.

INSERTING THE MAGAZINE

CAUTION: IF A LOADED MAGAZINE IS INSERTED WITH THE BOLT IN THE REARWARD POSITION A SHELL MAY BE LOADED BEFORE THE MAGAZINE IS FULLY SEATED.

Make sure the muzzle is pointed in a safe direction and the safety selector lever is in the safe (S) position. Insert the rear or exposed shell end of the magazine into the magazine well of the stock. FIGURE 8.

Press up the front of the magazine into the magazine hanger. FIGURE 9.

The magazine release lever will move to allow seating of the magazine. FIGURE 10.

The magazine is fully seated when the release lever is flush with the hanger and the magazine is parallel with the barrel. FIGURE 11.

Align the magazine by slightly rotating until it firmly seats without free rotation. FIGURE 12.



FIGURE 8

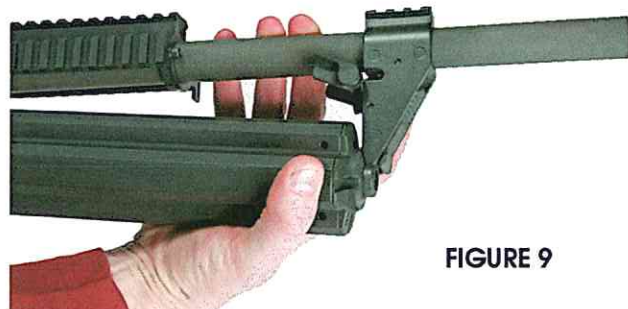


FIGURE 9

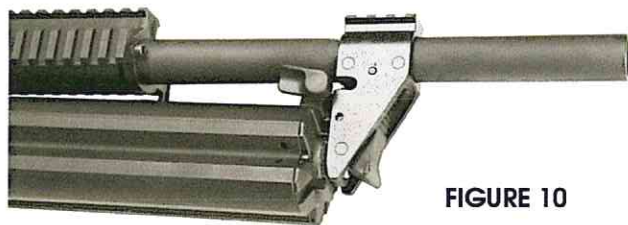


FIGURE 10



FIGURE 11

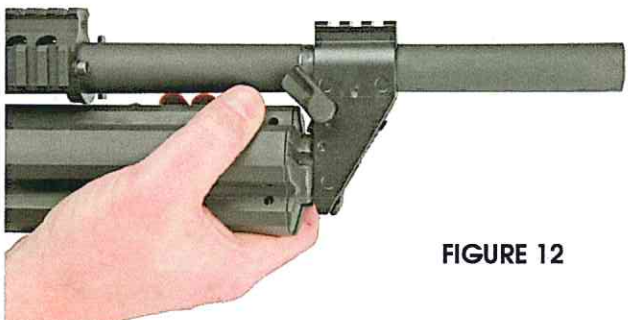


FIGURE 12

REMOVING THE MAGAZINE

Press on the upper part of the magazine release lever located on the front of the magazine hanger. FIGURE 13.

While pressing the release, pull down on the front of the magazine to remove it from the hanger. Next, pull the rear portion out from the well of the receiver.



FIGURE 13

LOADING THE FIREARM

After a loaded magazine is properly inserted pull back on the bolt handle until the bolt is fully rearward. A shell will be released from the magazine onto the shell carrier. Allow the bolt to move forward into battery and chamber a shell. If a loaded magazine is inserted while the bolt is open a shell will automatically be loaded. The firearm is now ready to be fired.

FIRING

Raise the weapon to the shooting position. Move the selector lever from the safe (S) position to the fire (F) position and squeeze the trigger. After firing the firearm will cycle semi-automatically and chamber another shell. Successive shots can be made until the magazine tube is empty. The bolt will lock in the rearward position when the magazine tube is empty.

Press forward on the magazine index lever and rotate the magazine 90 degrees in either a clockwise or counterclockwise direction. FIGURE 14.

Release the magazine index lever to lock the magazine in place after rotation. When the next loaded magazine tube is properly aligned the bolt is automatically released to chamber a shell.

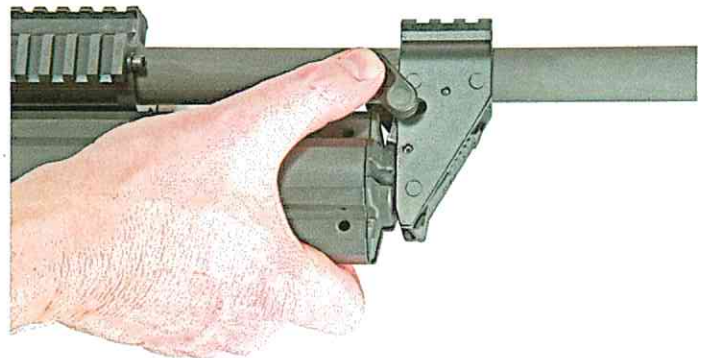


FIGURE 14

CAUTION: WHEN THE MAGAZINE IS ROTATED A SHELL WILL AUTOMATICALLY BE CHAMBERED.

Always use clean ammunition. Foreign matter on a shell can impede complete chambering and can cause the shell to burst or rupture upon firing.

If an obstruction is found in the action, barrel, or bore do not attempt to shoot it out using another shell. Clear all ammunition from the action of the firearm and remove the obstruction using an appropriate cleaning rod or bore brush. Following removal of the obstruction clean any unburned powder or residue from the bore, chamber and mechanism before resuming operation of the firearm.

IMMEDIATELY STOP SHOOTING AND DO NOT CONTINUE WHEN:

- (1) You have difficulty or resistance in chambering a shell;**
- (2) A shell misfires;**
- (3) The mechanism fails to properly extract a shell;**
- (4) Unburned powder is found in the mechanism;**
- (5) A fired round sounds abnormal.**

In such circumstances clear all shells from the action of the firearm and check the barrel for possible obstructions. Inspect the firearm for damage before shooting again.

Never use a firearm if it fails to function properly, do not force a jammed action as a shell may explode causing injury, death or severe damage.

UNLOADING THE FIREARM

The firearm is unloaded by pulling the bolt handle rearward. The unfired shell will be ejected. The bolt stop will engage and lock the bolt in place.

CAUTION: If a loaded magazine is in the firearm and the bolt is released a shell will be chambered. The magazine should be removed to make sure the firearm is unloaded.

Until the magazine is removed and you have inspected the chamber of the firearm and completed unloading procedures the firearm must be considered loaded and capable of being fired.

DISASSEMBLY/REASSEMBLY

Set the selector lever on the safe (S) position and remove the magazine. **THE MAGAZINE MUST BE REMOVED BEFORE OPENING THE RECEIVER.** Pull back rearward on the bolt handle to inspect the chamber and make sure the firearm is empty and unloaded. Release the handle to allow it to return to its original forward position.

Locate the latch pin at the top rear of the receiver. Push the pin through from the right side to the left side of the firearm. The pin is not to be removed from the receiver but simply pushed out until it comes to a positive stop to allow the center portion of the stock to disengage from the receiver. **FIGURE 15.**

Pivot the stock down and away from the receiver. **FIGURE 16.**



FIGURE 15



FIGURE 16

Grasp the bolt handle and pull the bolt and carrier rearward to remove the assembly from the firearm. FIGURES 17 and 18.



FIGURE 17



FIGURE 18

No further disassembly of the firearm is either necessary or recommended beyond this point for purposes of regular maintenance.

DO NOT OPERATE THE TRIGGER WHILE THE FIREARM IS DISASSEMBLED.

IF THE TRIGGER IS PULLED AND THE HAMMER IS RAISED THE RECEIVER WILL NOT PROPERLY CLOSE.

IF THE HAMMER HAS BEEN RELEASED, FIGURE 19, AND IS IN THE VERTICAL POSITION DURING DISASSEMBLY, DO NOT ATTEMPT TO CLOSE THE RECEIVER. MAKE SURE THAT THE HAMMER IS IN THE COCKED (LOWER) POSITION BEFORE SWINGING THE RECEIVER CLOSED. FIGURE 20. IF RAISED, THE HAMMER MUST BE MANUALLY COCKED BEFORE LOWERING THE RECEIVER. FIGURE 21.

FAILURE TO DO SO MAY RESULT IN DAMAGE TO THE FIREARM.



INCORRECT FIGURE 19



CORRECT FIGURE 20



FIGURE 21

To reassemble the firearm, align the slots/grooves on the bolt and carrier with those on the inside of the receiver to replace the assembly. If the bolt has moved rearward on the carrier pinch the rollers, located towards the rear of the bolt, to allow the assembly to fit into the receiver. The bolt stop, located on the lower portion of the receiver on the side opposite of the bolt handle, must be depressed to allow the bolt to be inserted. FIGURE 22.



FIGURE 22

Pivot the stock closed and push the latch pin back in place.

If additional disassembly is desired please go online to SRMARMS.com for further instructions. Further repair or maintenance procedures that require additional disassembly of the firearm should be referred to a qualified armorer or gunsmith.

CLEANING/MAINTENANCE

CLEANING BEFORE USE

Before firing the firearm it should be cleaned to remove excess oil from any parts.

BASIC CLEANING AFTER USE

The firearm should be cleaned and lubricated under normal conditions by using the disassembly procedure found in this manual. Clean and check the firearm periodically to make sure it is mechanically correct.

For cleaning after shooting it is important that all powder residues be removed from the barrel and other areas of the firearm including the chamber and carrier. Keep the barrel clean and free of obstructions. Use a bore brush to clean all residues from the barrel visually checking the barrel regularly.

Apply lubricant lightly to the bolt grooves and bolt carrier rails.

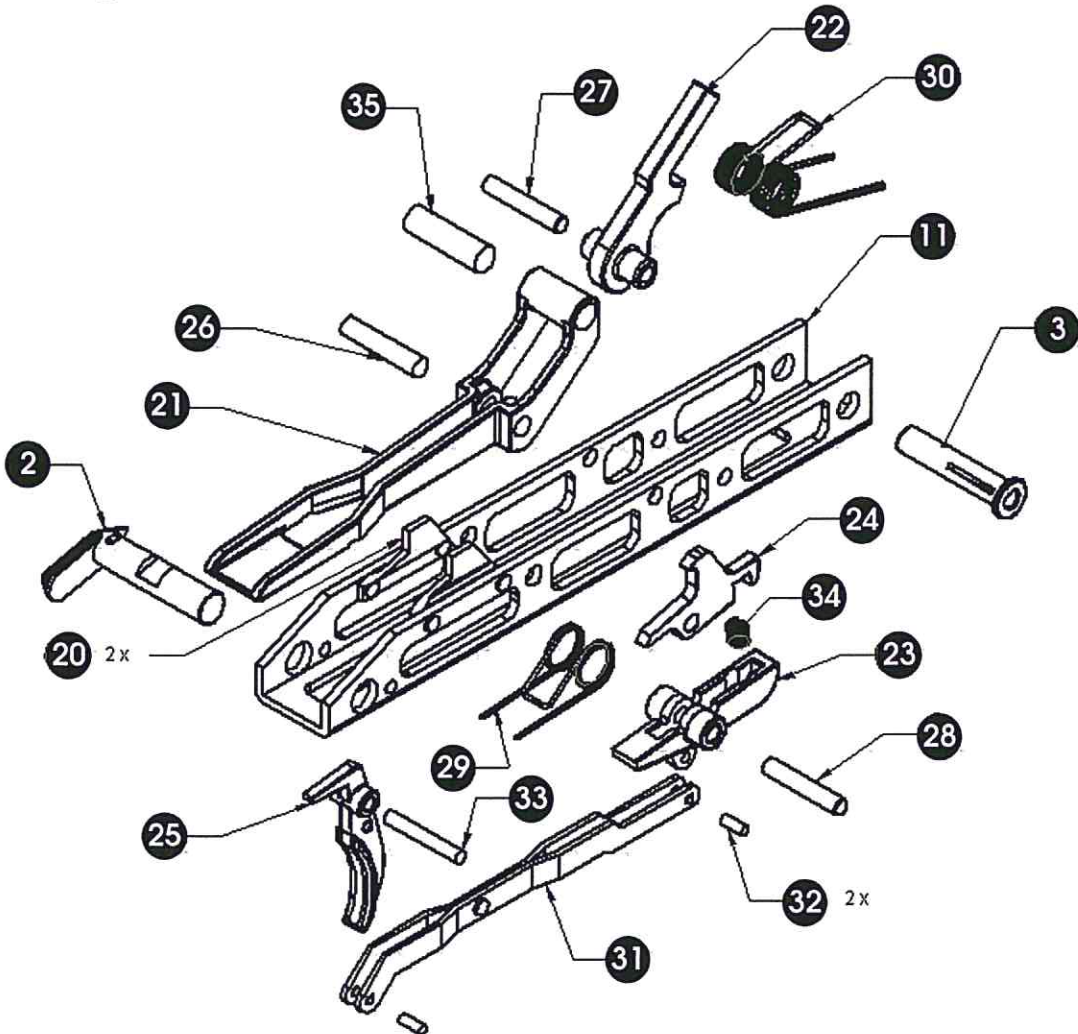
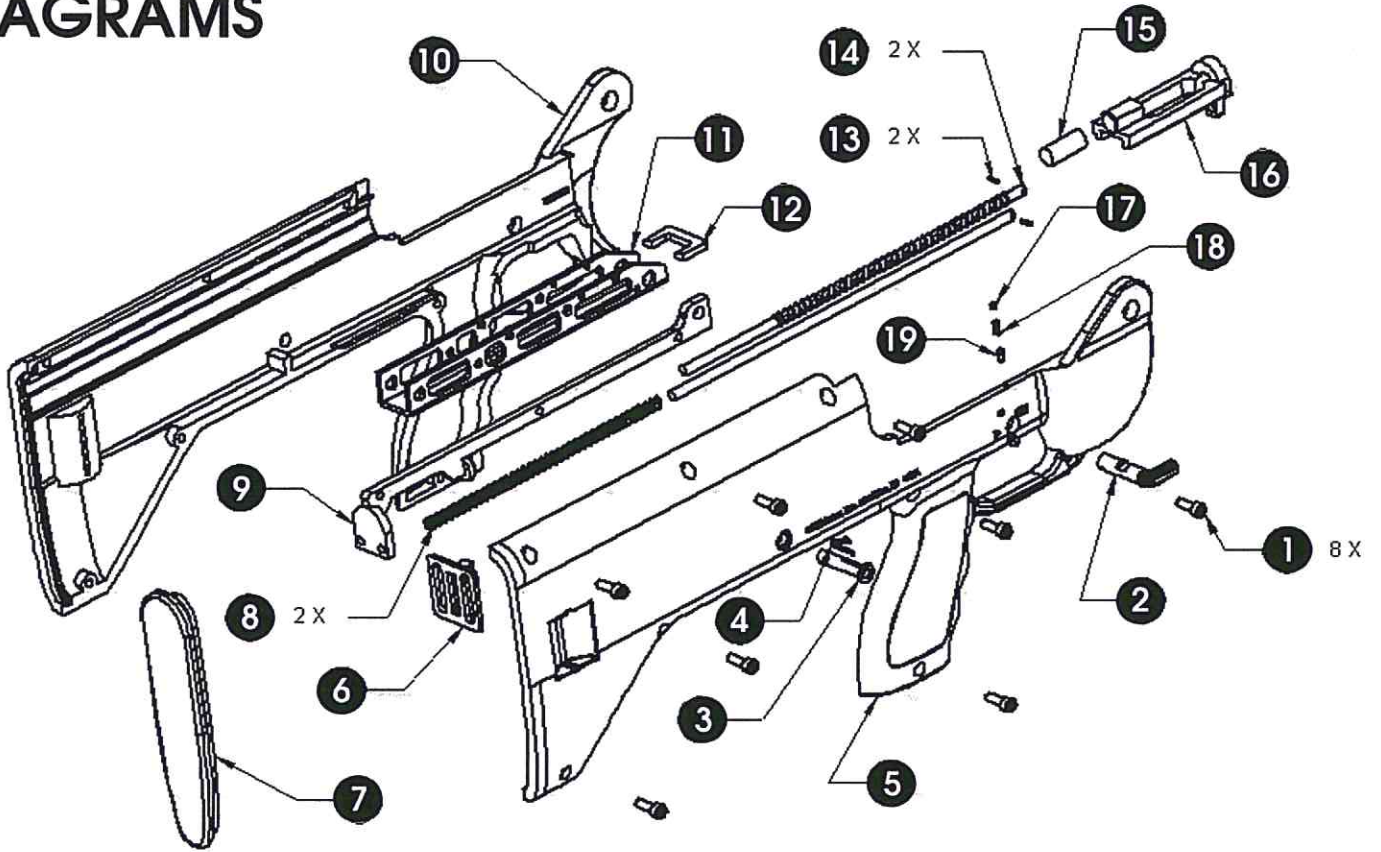
SRM Arms recommends the use of only high quality bore solvent, lubricants, and other cleaning aids. Sparingly use lubricants on moving parts of the firearm. Avoid excessive spraying of any aerosol products on the firearm.

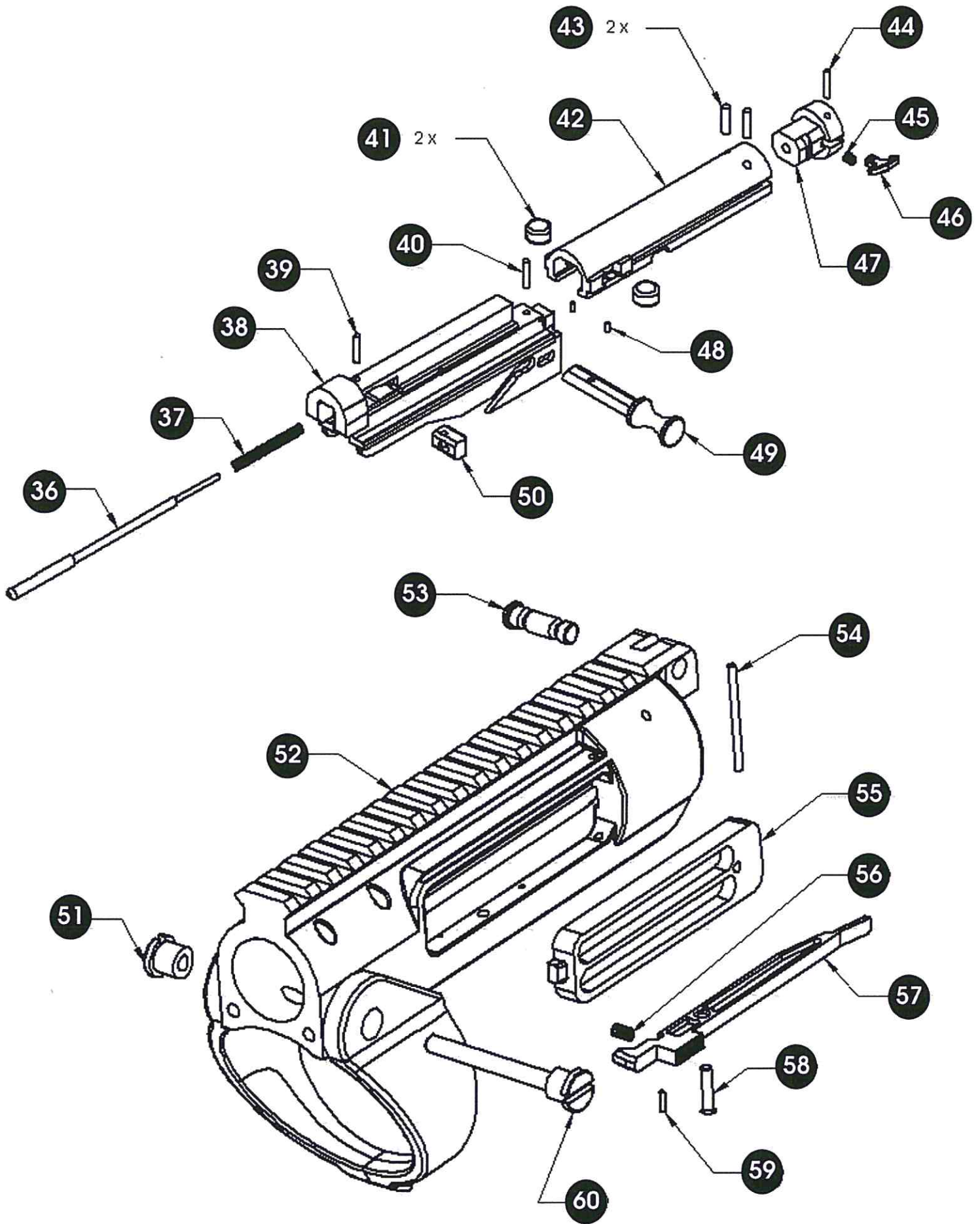
The magazine should not be stripped or cleaned unless it has been subjected to excessive amounts of sand, grit or debris.

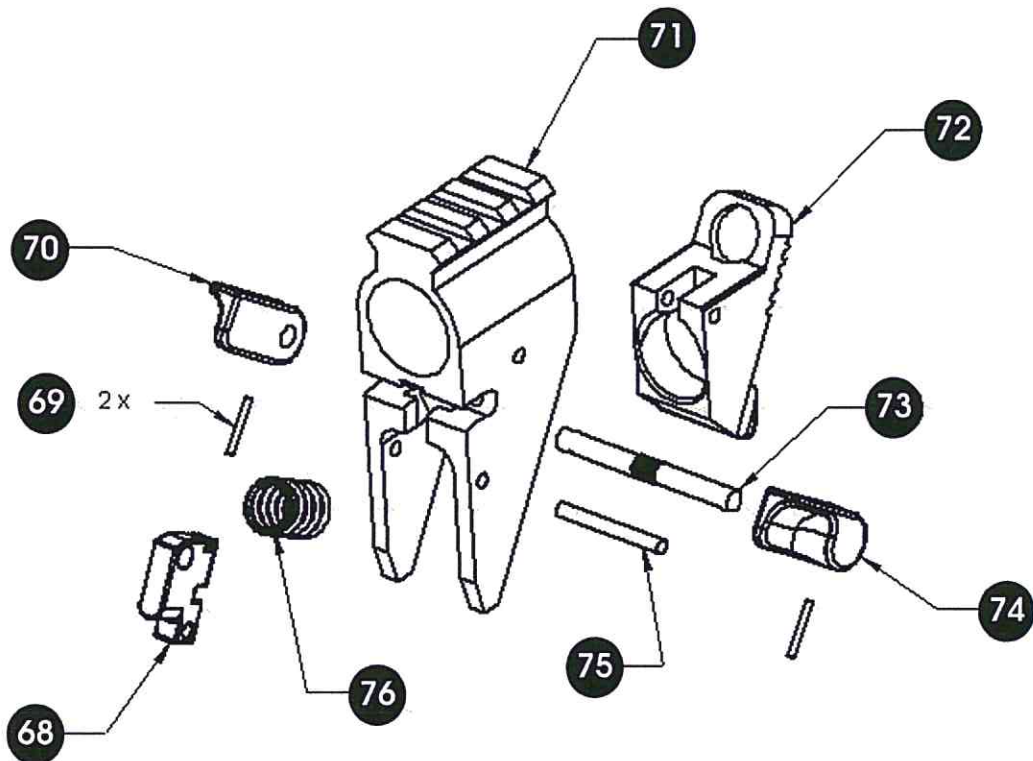
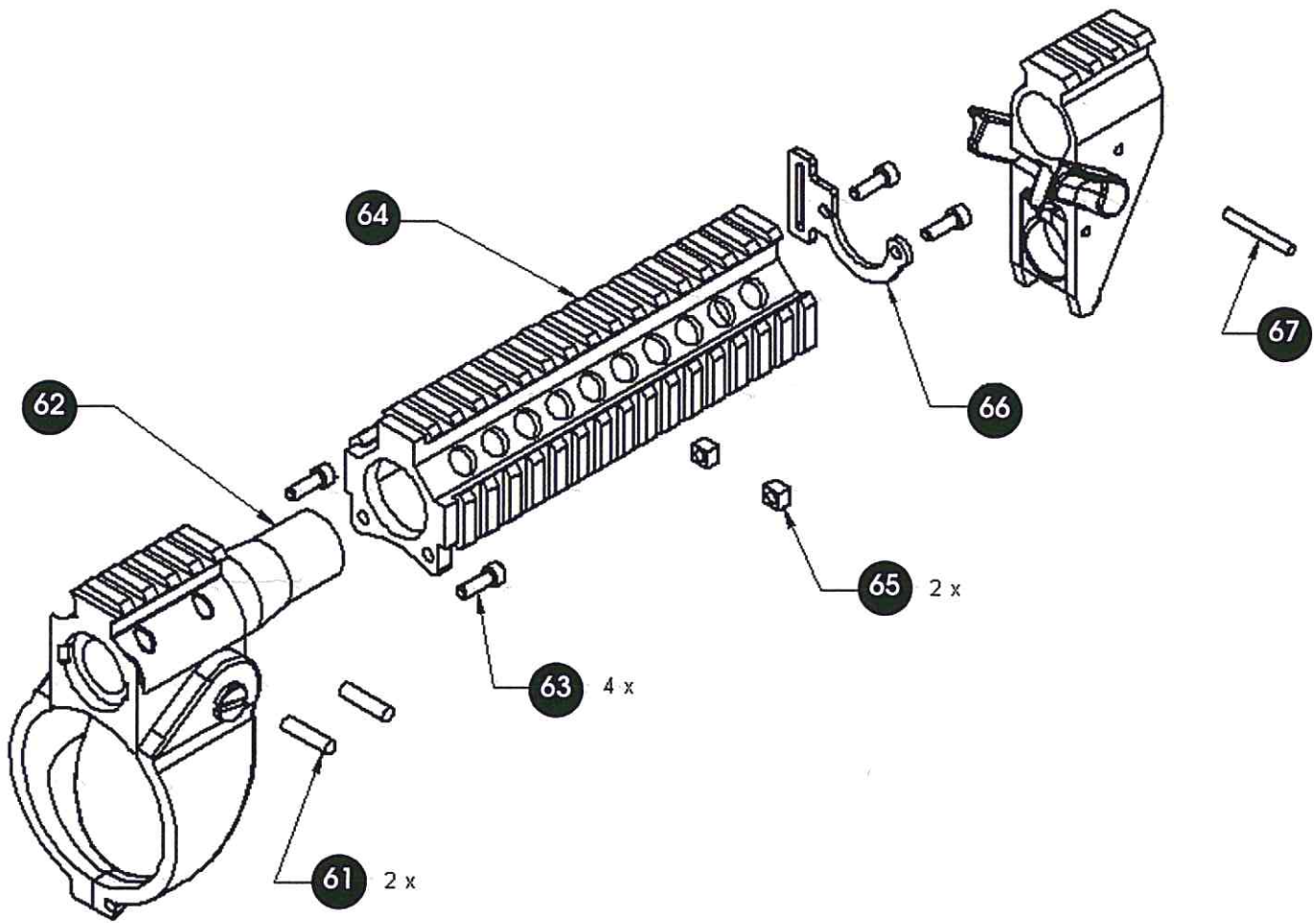
LEFT/RIGHT HANDED SET UP

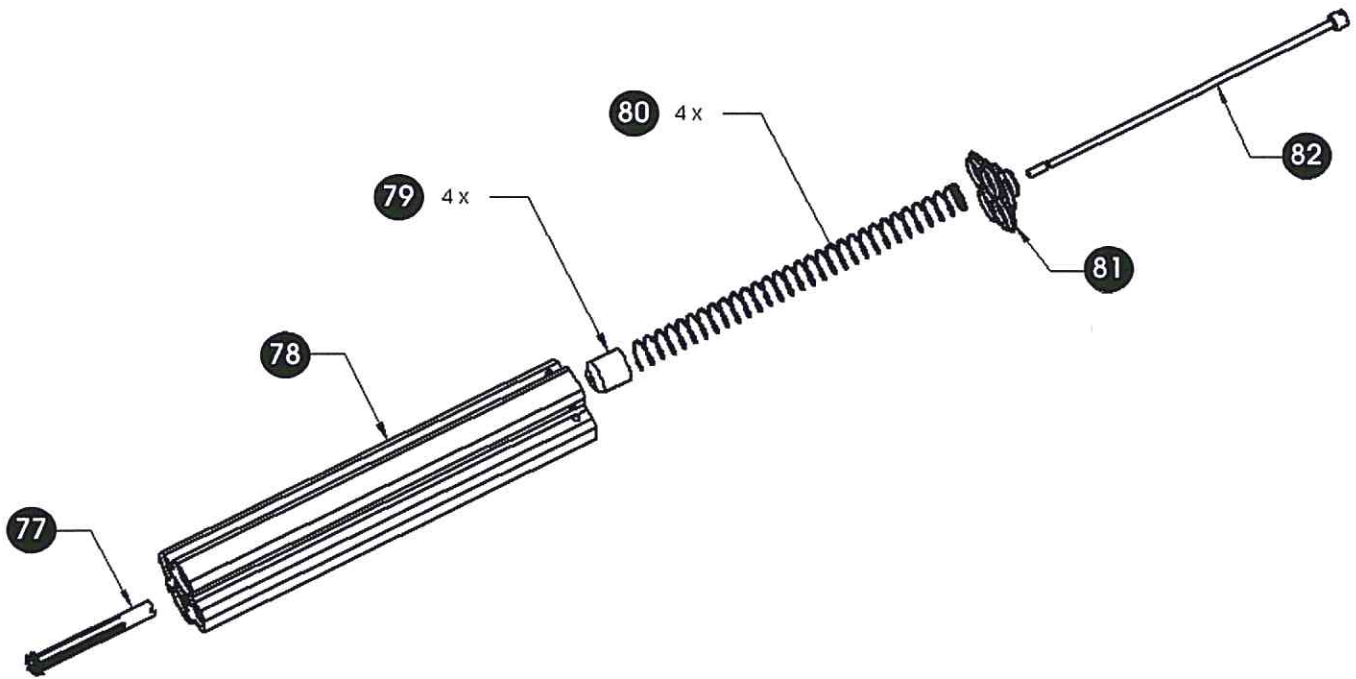
The firearm may be configured for either left or right handed use. This procedure requires removal and reassembly of the bolt head, bolt handle, bolt stop, ejection port cover and safety lever. For instructions please go online to: SRMARMS.com.

DIAGRAMS









PARTS LIST

- | | | |
|-----------------------------|-----------------------------|-----------------------------|
| 1. Buttstock Screw | 29. Trigger Spring | 57. Bolt Stop |
| 2. Safety | 30. Hammer Spring | 58. Bolt Stop Pivot Pin |
| 3. Anchor Pin | 31. Trigger Link | 59. Bolt Stop Pin |
| 4. Anchor Pin Spring | 32. Trigger Link Pivot Pin | 60. Pivot Bolt |
| 5. Right Buttstock | 33. Trigger Pivot Pin | 61. Barrel Pin |
| 6. Sling Plate | 34. Disconnect Spring | 62. Barrel |
| 7. Butt Plate | 35. Cam Track Pivot Pin | 63. Picatinny Rail Screw |
| 8. Action Spring | 36. Firing Pin | 64. Picatinny Rail |
| 9. Spine Assembly | 37. Firing Pin Spring | 65. Picatinny Rail Nut |
| 10. Left Buttstock | 38. Bolt Carrier | 66. Front Sling Plate |
| 11. Trigger Frame | 39. Bolt Carrier Insert Pin | 67. Magazine Hanger Pin |
| 12. Shell Release | 40. Bolt Handle Pin | 68. Magazine Detent |
| 13. Action Spring Stop Pin | 41. Roller | 69. Index Lever Pin |
| 14. Action Spring Guide Rod | 42. Bolt | 70. Left Index Lever |
| 15. Bolt Follower Buffer | 43. Bolt Head Pin | 71. Magazine Hanger Housing |
| 16. Bolt Follower | 44. Extractor Pin | 72. Magazine Release Lever |
| 17. Safety Detent Screw | 45. Extractor Spring | 73. Index Lever Shaft |
| 18. Safety Detent Spring | 46. Extractor | 74. Right Index Lever |
| 19. Safety Detent Plunger | 47. Bolt Head | 75. Magazine Detent Shaft |
| 20. Shell Stop | 48. Roller Pin | 76. Magazine Detent Spring |
| 21. Carrier | 49. Bolt Handle | 77. Shell Retainer |
| 22. Hammer | 50. Bolt Carrier Insert | 78. Magazine Body |
| 23. Sear | 51. Pivot Nut | 79. Magazine Follower |
| 24. Disconnect | 52. Receiver | 80. Magazine Spring |
| 25. Trigger | 53. Latch Pin | 81. Magazine End Cap |
| 26. Carrier Pivot Pin | 54. Ejector Plate Pin | 82. Shell Retainer Screw |
| 27. Hammer Pivot Pin | 55. Ejector Plate | |
| 28. Sear Pivot Pin | 56. Bolt Stop Spring | |

LIMITED WARRANTY

Firearms manufactured by SRM Arms, Inc. are warranted to be free from defects in material and workmanship for one year from the date of original new gun purchase. This warranty is good to the original purchaser and is nontransferable. Any such defect should be reported to SRM Arms, Inc. by written notice as provided below within one year from the date of first purchase by the original owner and will be remedied by SRM Arms, Inc.. SRM Arms, Inc. provides only the above described warranty for defects in materials or workmanship. This warranty does not cover sights, accessories, or cosmetic defects.

THIS WARRANTY IS LIMITED TO THE REPAIR OR REPLACEMENT OF THE PRODUCT BY THE MANUFACTURER. THIS EXPRESS LIMITED WARRANTY IS THE ONLY WARRANTY ON THIS PRODUCT. NO EXPRESS OR IMPLIED WARRANTY IS OTHERWISE PROVIDED.

THIS PRODUCT IS SOLD 'AS IS' AND HAS NO IMPLIED WARRANTIES OF MERCHANTABILITY OR FITNESS FOR A PARTICULAR PURPOSE. There are no warranties which extend beyond the description on the face hereof.

UNDER NO CIRCUMSTANCES SHALL SRM ARMS, INC. BE RESPONSIBLE FOR INCIDENTAL OR CONSEQUENTIAL DAMAGES WITH RESPECT TO ECONOMIC LOSS OR INJURY TO PERSON OR PROPERTY WHETHER AS A RESULT OF BREACH OF AN EXPRESS OR LIMITED WARRANTY, NEGLIGENCE OR OTHERWISE. Some states do not allow the exclusion of certain warranties or damages so these limitations may not apply to you.

SRM Arms, Inc. shall not be responsible for injury, death, or damage to property and will not be responsible and excludes from any warranty, damages which are the result of, but not limited to or resulting from, either intentional or accidental discharge of this firearm, or from the operation or function of the firearm when used for purposes or subjected to treatment for which it was not designed. SRM Arms, Inc. is not responsible for any and all damages involving the firearm which result from abuse, careless or improper handling, unauthorized adjustments or modifications, parts replacement, corrosion, neglect, ordinary wear and tear, for unreasonable or unauthorized use, if the firearm is inappropriately handled or disassembled or incompletely reassembled, or damaged by or from the use of wrong or improper ammunition, or the use of ammunition other than original good quality commercially manufactured ammunition, or any combination thereof. Any change to the basic construction of the firearm, in particular by the circumvention of safety devices, is strictly prohibited.

SRM Arms, Inc. assumes no responsibility for resale or safe handling under local laws and regulations.

SRM Arms, Inc. will not honor claims involving this firearm for any reason or cause when such claims are made by the second or subsequent owner of the firearm. SRM Arms, Inc. cannot control product handling after a firearm leaves the factory, please examine the firearm carefully at the time of purchase to ensure that it is undamaged.

The manufacturer neither assumes nor authorizes any person to assume for the manufacturer any other liability in connection with the sale or use of the goods sold, and there are no oral agreements or warranties collateral to or affecting this agreement.

The manufacturer hereby gives notice that any statement made by the manufacturer in the sale of the goods, shall not create any warranty that the goods shall be fit for any particular purpose. Statements or descriptions are informational only, and not made or given as a warranty of the good in any way.

Warranty claims are to be made in writing. Warranty claims should state the model and serial number of the firearm concerned, along with a description of the problem, the date, and place where the problem arose. Please also provide a proof of purchase. Send the listed information along with the firearm to SRM Arms, Inc., 4375-A West McMillan, Meridian, ID 83646. SRM Arms, Inc. recommends that the owner insure the firearm prior to shipping. SRM Arms, Inc. will not be responsible for loss or damage which occurs in transit.

BASIC SAFETY RULES

1. Handle all firearms as if they are loaded.
2. Always keep the muzzle pointed in a safe direction.
3. Be sure of your target and surrounding area.
4. Always use eye and hearing protection when shooting a firearm.
5. Read the instruction manual before use.
6. Before loading make sure the barrel is clear and obstruction free.
7. Only use proper ammunition.
8. Never load the firearm until you are ready to shoot.
9. Keep selector lever on safe until ready to fire.
10. Unload the firearm immediately after use.
11. Always ensure a firearm is not loaded before cleaning or dismantling.
12. Store the firearm safely, keep it and ammunition away from children.
13. Never use a firearm while under the influence of alcohol or drugs.

