

HERITAGE™ ROUGH RIDER

SINGLE-ACTION BIG-BORE REVOLVER OWNER'S INSTRUCTION MANUAL



We recommend that you seek instruction in safe firearm handling by a competent firearms instructor. Remember there is no substitute for safe handling. Safety devices are merely tools that can fail, and therefore to rely solely on mechanical devices is not recommended.

⚠ WARNING: READ AND UNDERSTAND THIS OWNER'S MANUAL BEFORE USING THIS REVOLVER. THERE ARE IMPORTANT SAFETY INSTRUCTIONS AND WARNINGS WHICH MUST BE UNDERSTOOD AND USED TO AVOID INJURY OR DEATH.

⚠ LEAD WARNING: Discharging firearms in poorly ventilated areas, cleaning firearms or handling ammunition may result in exposure to lead and other substances known to cause birth defects, reproductive harm and other serious physical injury. Have adequate ventilation at all times. Wash hands thoroughly with cold water after exposure.



Accessories are also available at
HeritageMfg.com

SPECS:

*Caliber:	45 Colt, 357 Magnum and 38 Special +P	Capacity:	6-Shot Cylinder
Barrel:	4.75", 5.5" and 7.5"	Grips:	Exotic Hardwoods or Laminates
Weight:	36.2 oz. Unloaded (5.5")	Sights:	Open Fixed
Finish:	Blue, Satin or Case Hardened	Features:	Transfer Bar
Action:	Single-Action		

* The use of other cartridges may, in some loadings, result in unsatisfactory accuracy, damage to the revolver or injury to the user or bystanders.

HANDLING

The term “single-action” means that the hammer of your revolver must be manually drawn FULLY rearward (or “cocked”) before firing each shot. In the process of cocking your revolver, you should note that there are three separate hammer positions, each one having its purpose.

1. UNLOADING

Point the revolver in a safe direction. If the hammer is cocked, it must first be de-cocked. Do not touch the trigger. Always keep your hands away from the muzzle. Pull the hammer back to the half-cock position. You can hear this click if you listen carefully (see fig. #2). Your cylinder will turn freely. Open the loading gate to expose the chambers. Line up the chamber with the ejector rod and push out the cartridge. Line up the next chamber and repeat this until all chambers are unloaded.

Be sure to double check that all chambers are empty.

⚠ WARNING: Do not eject unfired cartridges onto any surface where the cartridge primer might strike a solid object. This can cause the cartridge to discharge.

⚠ WARNING: If you experience difficulty in unloading your Rough Rider, STOP! Make certain that your revolver is pointed in a safe direction and slowly lower the hammer to the resting position. Take your Rough Rider to a competent gunsmith.

⚠ WARNING: Do not carry this revolver with a live round chambered under the hammer and fire pin. Keeping an empty chamber under the hammer is good assurance against accidental firing.

2. LOADING

Loading your revolver to carry and loading your revolver to shoot right away are very different. Although single-action revolvers are often referred to as “six-shooters,” it was customary in the Old West to only load five rounds in the revolver and leave the chamber under the hammer empty. This is by far the safest way to load a single-action revolver.

⚠ DANGER: We strongly recommend that you load five rounds and leave the sixth chamber under the hammer empty. If the revolver is loaded in this manner, it will help keep your revolver from accidentally firing should it be dropped on the hammer. Single-action revolvers such as the Rough Rider can fire if dropped with the hammer down on a live cartridge.

For safety, remember to **“load one, skip one, load four.”** If you plan to carry your Rough Rider this way, it will have an empty chamber under the lowered hammer but will fire when you pull the hammer back and pull the trigger.

3. LOADING TO CARRY

For safety, remember to **“load one, skip one, load four.”** Point the revolver in a safe direction. Pull the hammer back to half-cock so the cylinder will turn. Open the loading gate to expose the chambers in the cylinder. Rotate the cylinder, viewing each chamber through the open loading gate to make certain the revolver is unloaded. Insert a cartridge in the first chamber, then turn the cylinder but skip the next chamber. **Leave it empty!** Then rotate the cylinder, loading the next four chambers and close the loading gate. Pull the hammer all the way back and slowly lower the hammer.

⚠ WARNING: Do not carry this revolver with a live round chambered under the hammer and firing pin. Keeping an empty chamber under the hammer is good assurance against accidental firing.

4. LOADING TO FIRE RIGHT AWAY

Point the revolver in a safe direction. Pull the hammer back to the half-cock position, and the cylinder will turn freely. Open the loading gate to expose the chambers. Make sure you have the exact caliber shell matching the exact caliber of the revolver. Insert one cartridge in each chamber until the cylinder is loaded and close the loading gate.

5. FIRING

Keep your finger out of the trigger guard until you are ready to fire. Point the revolver at the target and be sure of what lies behind it. Have a firm grip on the shooting hand. Pull the hammer all the way back with a smooth stroke (see fig. #3) until it locks. Put your finger inside the trigger guard and slowly squeeze the trigger while you line up the sights on the target. The hammer will fall forward, and the revolver will fire. After firing, the hammer will remain down. To fire subsequent shots, fully release the trigger and repeat the above steps to fire the remaining rounds.

⚠ WARNING: Quick draw and/or fanning the hammer are dangerous and abusive to your revolver. Never quick draw a loaded revolver. Never attempt to fire your revolver in any position except the “full cock” position. Fanning the hammer will void your manufacturer’s warranty.

⚠ WARNING: Single-action revolvers such as your Rough Rider can fire if your thumb slips off of the hammer spur while you are pulling the trigger to lower the hammer.

DRY FIRE: Please be sure not to “dry fire” the revolver. If you cock the hammer and pull the trigger while there are no shells in the chamber, the hammer will strike the firing pin. This will void the manufacturer’s warranty.

SIDE BLAST: All revolvers have a side blast of cylinder gas. As hot gases push the bullet down the barrel, unburned powder and sometimes lead fragments will escape from the gap between the barrel and the cylinder. Be sure that onlookers are behind you.

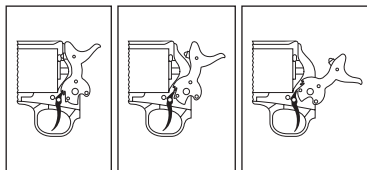
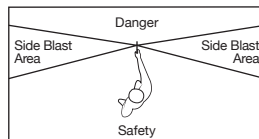


Fig. #1

Fig. #2

Fig. #3



⚠ WARNING: Keep people behind and away from you and keep your hands and body clear of the sides of the revolver when firing. Always wear safety glasses and hearing protection when firing this or any other firearm. Ask your local dealer to show you what is available to protect your eyes and ears.

6. DE-COCKING OR UN-COCKING YOUR REVOLVER

If you have your revolver in the “full cock” position and change your mind and do not want to shoot, make certain that the revolver is pointed in a safe direction.

⚠ WARNING: Use extreme caution and care when attempting to de-cock your revolver. If your thumb slips during the process, an accidental discharge can occur, causing injury or damage to property.

You should practice this skill with an unloaded revolver until you have developed the proper control and skill to de-cock your revolver safely. Once you have practiced this technique and feel comfortable to de-cock your revolver, carefully follow these steps:

1. Make certain that both hands are dry and not impeded in any way (gloves, bandages, etc.)
2. Fully draw the hammer back with your thumb and continue holding it fully back while pulling the trigger backward. Hold and keep the trigger and hammer in the backwards position.

3. While holding the trigger back, **SLOWLY** lower the hammer downward past its half-cock position. **REMEMBER, YOU ARE LOWERING IT WITH A LIVE ROUND.** Be careful and keep it pointed in a safe direction.
4. When past the half-cock notch, slowly release the trigger forward. Once the trigger goes fully forward, take your finger out of the trigger guard.
5. Continue to lower the hammer to its rest position.

Fig. A: With the thumb controlling the hammer as shown above, squeeze the trigger to permit the hammer to **SLOWLY** break free.

Fig. B: When the hammer is free, immediately release the trigger. Then **SLOWLY** lower the hammer to its rest position completely down and resting on the frame.

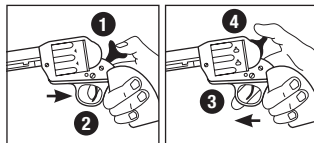


Fig. A

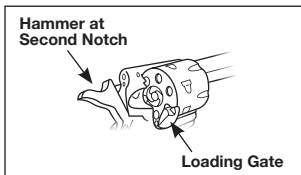
Fig. B

⚠ WARNING: Remember, when you fully cock your revolver and shoot it again, you rotate your cylinder. If you de-cock your revolver and decide not to fire it, that live round is still in the cylinder, and it will rotate towards the firing pin position with each cocking. **DO NOT FORGET ABOUT THIS ROUND.** If you fire rounds prior to the de-cocking operation and decide to start firing again, the hammer will fall on one or more empty cylinder. **BE EXTREMELY CAREFUL AND REMEMBER YOU STILL HAVE LIVE ROUNDS IN THE CYLINDER.**

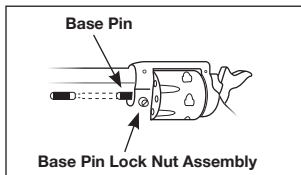
7. CLEANING AND MAINTENANCE

After each firing, be sure you unload your Rough Rider and clean it thoroughly. Wear safety glasses in case you lose control of some spring-loaded components which can injure your eyes. At regular intervals or when the revolver has been exposed to sand, water or other adverse conditions, disassemble, clean and oil it. Remove the cylinder using the following steps. No further disassembly is recommended.

- Open the loading gate.
- Place the hammer in its half-cock position.
- Depress the base pin lock nut assembly and slide the base pin all the way out while holding the base pin lock nut assembly down.
- Remove the cylinder towards the loading gate. The cylinder is designed to fit your revolver precisely, and it can be removed and replaced easily. Be careful! It is a close fit, so don't force it to move in any direction.



Open loading gate and remove cylinder from right side of gun.



To install cylinder, reverse these steps.

To reassemble, simply reverse the steps above.

It is also necessary to clean the base pin plunger at the tip of the base pin on the big-bore revolvers to prevent unnecessary returns or malfunctions.

When you re-install the base pin, make sure it is locked onto the base pin lock nut assembly. You can test this by making sure the base pin lock nut assembly is free to move when you depress it and it returns under its own spring pressure.

Use a wood, aluminum or brass cleaning rod (not steel) as well as a brass bristle brush or cleaning patch that is appropriate for your revolver's caliber. Use a good quality cleaning solution to swab the bore, each chamber of your cylinder and firing pin area. While swabbing the bore, always brush all the way through the bore; never try to reverse the direction while the brush is actually in the barrel or chamber. After swabbing, run clean patches through the bore and chambers until they come out clean. Then completely, but lightly, oil the entire revolver including the inside of the barrel to prevent rust. Be sure to use a light brush as too much oil will attract dirt and dust.

⚠ WARNING: Firing a revolver with oil, grease or any other material even partially obstructing the bore may result in damage to the revolver and serious injury to the user or those nearby. Do not spray or apply lubricants directly on ammunition. If the powder charge of a cartridge is affected by the lubricant, it may not be ignited, but the energy from the primer may be enough to push the bullet into the bore where it may become lodged. Firing a subsequent bullet into the obstructed bore may damage the revolver and cause serious injury or death to the user and those nearby. Use lubricants properly. You are responsible for the proper care and maintenance of your firearm.

STORAGE: Store your revolver in a cool, dry area and always be sure to secure the revolver out of the reach and sight of children. Always unload your Rough Rider and store it and ammunition separately in a locked receptacle.

COMMANDMENTS OF SAFETY

SAFETY IS YOUR RESPONSIBILITY. BE A SAFE SHOOTER.

- Never point a firearm at anything you don't intend to shoot.
- Never accept a firearm without opening it yourself to check to see if it is loaded.
- Always keep the action open after firing.
- Always keep an empty chamber under the hammer.
- Always empty handguns before carrying into a home, car, boat or RV.
- Always be sure of what lies behind your intended target.
- Always seek instruction in handgun safety from a qualified instructor or see your dealer.
- Always keep firearms out of the reach of children. Keep guns and ammo separate.
- Always check the barrel of your firearm to be sure it is clear of obstructions.
- Never mix alcohol or drugs with shooting sports.
- If the gun fails to fire when the trigger is pulled, keep it pointed in a safe direction while unloading.
- Always carry and store your gun in a proper holster or carrying case. This protects the firearm from damage.
- Never leave a loaded firearm unattended.
- Always be sure your ammunition is the proper caliber for the firearm you are using. Do not use or reload any questionable ammunition.
- Never perch a revolver on the half-cock notch as it may fall and discharge, causing injury, death or damage to property.
- Water, snow, mud, excess of lubricating oil or grease or any other material can obstruct the barrel of your gun and cause injury or death. Always check the barrel of your firearm for obstruction before loading and firing. Clean a fouled gun immediately to ensure its correct and safe function.
- Never climb a tree, fence or wall while carrying a loaded firearm. Never leave a loaded gun unattended or resting against a tree, fence or wall. Someone, especially a child, may fire it and cause injury, death or damage to property.
- Never shoot at a hard surface or at water. A bullet may ricochet and travel in unpredictable directions to strike you or an object you cannot see, causing injury, death or damage to property.
- Never fire your gun near an animal as the animal's startled reaction could injure it or cause an accident.
- Do not carry this revolver with a live round chambered under the hammer and firing pin. Keeping an empty chamber under the hammer is good insurance against accidental firing.
- Horseplay has no place around firearms. GUNS CAN'T THINK... YOU CAN.
- Never place a gun lock on a loaded firearm.
- Locking your firearm may result in your death due to slow accessibility.

PARTS LIST

1.1	Backstrap - blue	21.1	Firing Pin Cup
1.2	Backstrap - nickel	22.1	Firing Pin Cup Spring
2.1	Backstrap Front Screw (2) - blue	23.1	Front Sight - blue
2.2	Backstrap Front Screw (2) - nickel	23.2	Front Sight - nickel
3.1	Backstrap Rear Screw (4) - blue	24.1	Grip - Cocobolo
3.2	Backstrap Rear Screw (4) - nickel	25.1	Hammer - blue
4.1	Base Pin - blue	25.2	Hammer - nickel
4.2	Base Pin - nickel	26.1	Hammer Roller
5.1	Base Pin Bushing	27.1	Hammer Roller Pin
6.1	Base Pin Lock Nut	28.1	Hammer Screw - blue
7.1	Base Pin Lock Screw	28.2	Hammer Screw - nickel
8.1	Base Pin Lock Spring	29.1	Loading Gate - blue
9.1	Cylinder .45LC - blue	29.2	Loading Gate - nickel
9.2	Cylinder .45LC - nickel	30.1	Loading Gate Detent
10.1	Cylinder Bolt	31.1	Loading Gate Screw
11.1	Cylinder Bolt Screw	32.1	Loading Gate Spring
12.1	Cylinder Hand + Post	33.1	Mainspring
13.1	Cylinder Hand Detent	34.1	Mainspring Screw
14.1	Cylinder Hand Spring	35.1	Transfer Bar - blue
15.1	Ejector Head + Rod - blue	35.2	Transfer Bar - nickel
15.2	Ejector Head + Rod - nickel	36.1	Trigger - blue
16.1	Ejector Spring	36.2	Trigger - nickel
17.1	Ejector Tube - blue	37.1	Trigger Guard - blue
17.2	Ejector Tube - nickel	37.2	Trigger Guard - nickel
18.1	Ejector Tube Screw - blue	38.1	Trigger Screw - blue
18.2	Ejector Tube Screw - nickel	38.2	Trigger Screw - nickel
19.1	Ejector Tube Screw Bushing	39.1	Trigger Spring
20.1	Fire Pin	40.1	Trigger Spring Screw

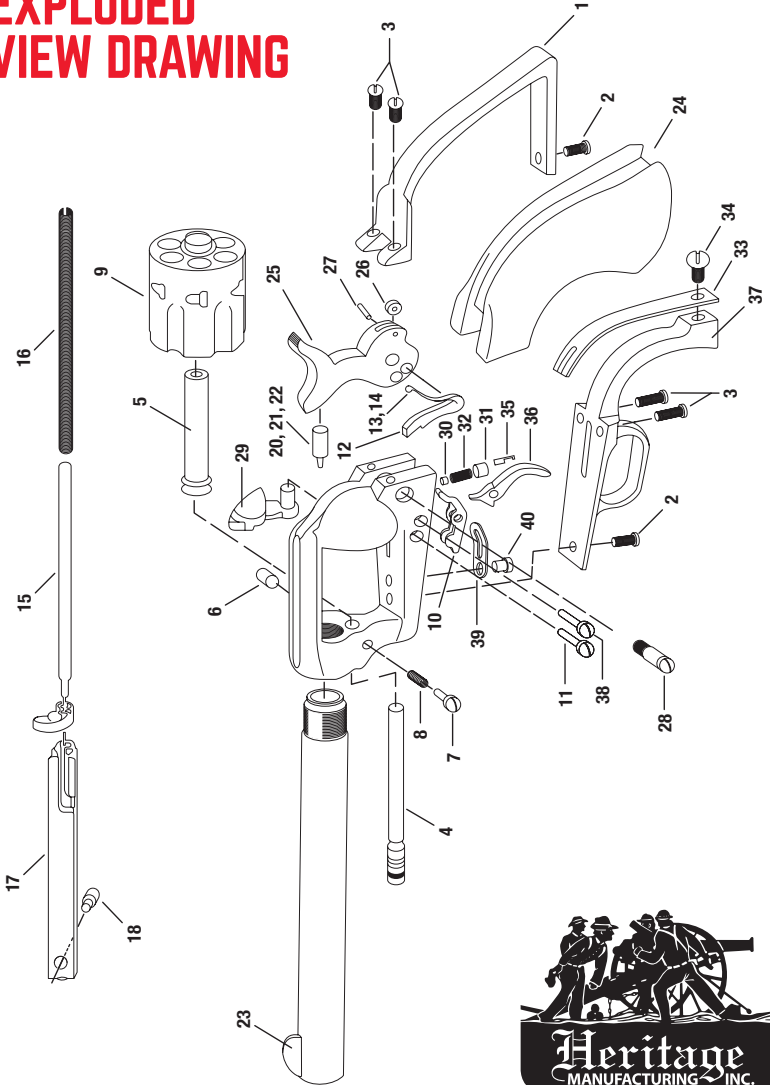
All orders must be prepaid (shipping and handling fees apply) by money order or credit card.*

You may also order online at ShopHeritageMfg.com.**

⚠ WARNING: Your revolver was manufactured to perform properly with the original parts as designed. It is your duty to make sure that any part you purchase is installed correctly and that replacement parts or original parts are not altered or changed. Your gun is a complex tool with many parts that must relate correctly to the other. Assembling a firearm incorrectly or with altered parts can result in a damaged gun, injury or death. Do not attempt to work on it yourself. This is a small price to pay for your safety.

* Prices are subject to change without notice. ** Please specify "Finish" on your parts order.

EXPLODED VIEW DRAWING



ONE YEAR LIMITED WARRANTY

All Heritage Manufacturing firearms are warranted to the original retail customer for one year from date of purchase against defects in material and workmanship. All parts and labor or replacement (at our option) are covered. You must send in your factory registration card to obtain warranty coverage. Transportation to and from our warranty service center; damage caused by failure to perform normal maintenance; sales outside the United States; damage due to the use of high pressure, reloaded or other nonstandard ammunition; unauthorized repair, modification, misuse, abuse, including abuse by “fanning” the hammer; or alteration of the product is not covered by this limited warranty. Any implied warranties, including the implied warranties of merchantability and fitness for a particular purpose, are limited to one year from date of original retail purchase. Consequential or incidental damages or expenses or any other expenses are not covered by this warranty.

To obtain warranty performance and service, you must send your Rough Rider with Proof of Retail Purchase, freight prepaid to:

HERITAGE MANUFACTURING, INC.

**Attention: Warranty Service Center
100 Taurus Way
Bainbridge, GA 39817**



Any questions relating to warranty service should be directed to us at the following:

229-515-8099 or

HeritageMfg.com

REGISTRATION FOR WARRANTY

You can also register your Rough Rider online. Please go to HeritageMfg.com and click on Warranty Form.

Date purchased: _____ Barrel Length: _____

Serial No: _____ Buyer's Name: _____ E-mail: _____

Street: _____

City: _____ State: _____ Zip: _____

Dealer's Name: _____

Street: _____

City: _____ State: _____ Zip: _____

Validated Warranty Card Must Be Signed and Mailed.

I have received the Rough Rider Revolver owner's manual and have read the safety warnings carefully. I understand that any firearm can cause serious injury or death if misused, mishandled or carelessly used.

Date: _____ Your Signature: _____

Subscribe to
our eNewsletter

TO VALIDATE YOUR ONE YEAR LIMITED WARRANTY, YOU MUST FILL OUT AND MAIL THIS CARD.



Place
Stamp
Here

HERITAGE MANUFACTURING, INC.

**Attention: Warranty Service Center
100 Taurus Way
Bainbridge, GA 39817**