



ORIGIN

SEMI-AUTOMATIC SHOTGUN

2 3/4" SHELLS ONLY

OPERATOR MANUAL



**READ THE INSTRUCTIONS AND WARNINGS
IN THIS MANUAL CAREFULLY AND
UNDERSTAND THEM BEFORE USING THIS
FIREARM. IF YOU HAVE ANY QUESTIONS
PLEASE CONTACT FOSTECH.**

**1-855-5FOSTECH
sales@fostech.us**



TABLE OF CONTENTS

WELCOME.....3

CUSTOMER NOTES.....4

IMPORTANT SAFETY WARNINGS.....5

HANDLING YOUR FIREARM.....7

FOR YOUR SAFETY.....8

ORIGIN SCHEMATIC.....10

ORIGIN RECEIVER SCHEMATIC.....11

GENERAL DESCRIPTION.....12

MAGAZINE CAPACITY.....14

LOADING THE MAGAZINE.....15

LOADING THE CHAMBER.....16

SAFETY LEVER.....17

OPERATION (FIRE CONTROL).....18

UNLOADING.....19

QUICK CHANGE BARREL SYSTEM.....20

FOLDING STOCK MOUNT.....21

ADJUSTABLE GAS SYSTEM.....22

MAINTENANCE24

SERVICE AND REPAIR.....27

ORIGIN SHOTGUNS & ACCESSORIES.....28

WARRANTY.....33



WELCOME

Congratulations on the purchase of your Origin firearm and welcome to the FosTech Family.

FosTech is committed to providing you with quality firearms and accessories. The Origin platform of firearms brings many new features that have not been available on firearms in the past. With that being said, please pay careful attention to the operating agreements and safety information contained in this manual.

FosTech thanks you for your purchase and offers support and expertise when needed. Never hesitate to give our support staff a call at 1-855-5FOSTECH or an email at sales@fostech.us.

YOUR PACKAGE INCLUDES

1. ORIGIN Firearm
2. FosTech All Weather Tactical Case
3. FosTech 5 Round Magazine
4. Literature Packet
 - A. Origin Manual
 - B. NSSF Firearms Safety Depends on You Pamphlet
 - C. NSSF Firearms Responsibility in the Home Pamphlet
 - D. FosTech Warranty Card

If you notice that anything is missing from the above list, please contact FosTech Customer Service at 1-855-5FOSTECH

THANK YOU FOR YOUR BUSINESS!



CUSTOMER NOTES

FosTech
Customer Service Department
PO Box 383
Seymour, IN 47274
Phone: 1-855-5FOSTECH
sales@fostech.us

If you have any questions regarding your new firearm or manual, please feel free to write or call us at any time. The space below is provided for you to record information in reference to your new firearm.

Model: _____

Serial Number: _____


Purchased From: _____


Purchase Date: _____


Notes: _____




IMPORTANT SAFETY WARNING

 ONLY LOAD YOUR ORIGIN WITH AN ORIGIN MAGAZINE! LOADING AN INDIVIDUAL SHELL WITHOUT USING A MAGAZINE CAN RESULT IN A SLAM FIRE. ALWAYS MAKE SURE YOUR FIREARM IS POINTED IN A SAFE DIRECTION WHEN LOADING AND UNLOADING YOUR WEAPON.

 IT IS CRUCIAL THAT YOU ADJUST YOUR GAS SYSTEM FOR THE APPROPRIATE TYPE OF SHELL. SHOOTING HIGH POWERED SHOTGUN SHELLS WITH YOUR GAS SYSTEM TURNED ALL THE WAY DOWN CAN LEAD TO DAMAGE OF YOUR ORIGIN AND MAY CAUSE SERIOUS INJURY!!! PLEASE REFER TO THE GAS ADJUSTMENT SECTION (PAGE 22) OF THIS MANUAL FOR MORE INFORMATION.

 LEARN THE MECHANICAL AND HANDLING CHARACTERISTICS OF THE FIREARM YOU ARE USING. NOT ALL FIREARMS ARE THE SAME, AND YOUR ORIGIN FIREARM HAS SEVERAL UNIQUE FEATURES. DO NOT ASSUME THAT YOU KNOW HOW TO OPERATE THE ORIGIN FIREARM CORRECTLY. READ AND UNDERSTAND THIS MANUAL BEFORE SHOOTING YOUR ORIGIN FIREARM. IF THERE IS ANYTHING YOU DO NOT UNDERSTAND OR WOULD LIKE FURTHER CLAFIFICATION, PLEASE CONTACT FOSTECH AT 1-855-5FOSTECH OR SALES@FOSTECH.US

 THE ORIGIN 12 GAUGE SHOTGUN IS CHAMBERED IN 2 3/4 " SHELLS ONLY. IF YOU ATTEMPT TO USE ANY OTHER GAUGE OR LENGTH OF SHELL YOU CAN CAUSE INJURY, DEATH, OR PROPERTY DAMAGE.

IMPORTANT SAFETY WARNINGS

THESE SAFETY WARNINGS ARE FOR THE PROTECTION OF YOURSELF AND OTHERS. FAILURE TO FOLLOW THESE SAFETY WARNINGS COULD RESULT IN INJURY OR DEATH.

YOU ARE IN CHARGE OF FIREARM SAFETY

As a gun owner you acknowledge and undertake the responsibilities of being in charge of a firearm. The level of seriousness you place while being in charge of a firearm can be the difference in life or death.



ALWAYS KEEP THIS MANUAL WITH THE FIREARM IF EVER TRANSFERRED TO ANOTHER PARTY.



BEFORE FIRING, ALWAYS ENSURE THAT THE FIREARM ASSEMBLED PROPERLY.



ANY MODIFICATIONS, ALTERATIONS, OR IMPROPER FITTINGS OF PARTS MAY RESULT IN DAMAGE TO THE FIREARM OR INJURY TO THE INDIVIDUAL. THE FIREARM OWNER ACCEPTS FULL RESPONSIBILITY FOR CORRECT REASSEMBLY.



IF YOU ARE UNSURE OR HAVE QUESTIONS ABOUT THE MANUAL OR FIREARM PLEASE CONTACT OUR CUSTOMER SERVICE DEPARTMENT.

1-855-5FOSTECH



HANDLING A FIREARM

- ! KEEP ALL FIREARMS AND AMMUNITION OUT OF THE REACH OF CHILDREN.
- ! STORE FIREARMS SAFELY IN A LOCKED FACILITY.
- ! NEVER STORE A LOADED FIREARM OR LEAVE IT UNATTENDED.
- ! NEVER TRAVEL WITH A LOADED FIREARM.
- ! ALWAYS UNLOAD THE FIREARM WHEN FINISHED SHOOTING, CLIMBING TREES, CROSSING FENCES, OR MANEUVERING OTHER OBSTACLES.
- ! NEVER LOAD A FIREARM UNLESS YOU ARE AT A LOCATION WHERE YOU ARE GOING TO SHOOT THE FIREARM.
- DO NOT CONSUME ALCOHOL OR DRUGS BEFORE HANDLING A FIREARM.
- ! ALWAYS KEEP THE MUZZLE IN A SAFE DIRECTION EVEN THOUGH YOU ARE CERTAIN IT IS UNLOADED.
- ! ALWAYS KEEP THE SAFETY IN THE SAFE POSITION UNLESS ABOUT TO FIRE BUT NEVER SOLEY RELY ON THE SAFETY.
- ! ALWAYS TREAT THE FIREARM AS IF IT WAS LOADED EVEN THOUGH YOU ARE CERTAIN IT IS UNLOADED.
- ! KEEP YOUR FINGERS AWAY FROM THE TRIGGER WHILE LOADING AND UNLOADING AND UNTIL SHOOTING IS IMMINENT.
- ! WEAR HEARING AND EYE PROTECTION WHILE FIRING THE FIREARM.
- ! NEVER PULL THE TRIGGER ON AN EMPTY CHAMBER.

FosTECH

FOR YOUR SAFETY


- ❗ BE ABLE TO CLEAN YOUR FIREARM THOROUGHLY AND MAKE SURE THERE IS NO DIRT OR DEBRIS BLOCKING THE BARREL. OBSTRUCTIONS CAN LEAD TO MALFUNCTIONS OR INJURY.
- ❗ MAKE SURE YOU PRACTICE FIREARM SAFETY AND MAINTENANCE REGULARLY.
- ❗ CLEANING AFTER FIRING OR EXPOSURE TO DAMP WEATHER IS RECOMMENDED.
- ❗ ALWAYS BE CONFIDENT IN FIREARM SAFETY AND FUNCTION BEFORE USING A FIREARM.
- ❗ NEVER INSERT A SHELL OF THE WRONG CALIBER, GAUGE, OR LENGTH INTO THE FIREARM OR MAGAZINE.
- ❗ ALWAYS INSPECT EVERY SHELL ABOUT TO BE INSERTED INTO THE FIREARM OR MAGAZINE.
- ❗ ALWAYS BE SURE THAT THE AREA YOU ARE IN AND PLAN TO FIRE THE FIREARM HAS ENOUGH VENTILATION.
- ❗ BE CONFIDENT OF YOUR TARGET, ESPECIALLY IN LOW LIGHT CONDITIONS.
- ❗ ALWAYS MAKE SURE THAT YOUR FIREARM IS UNLOADED BEFORE CLEANING.
- ❗ ONLY USE APPROVED SAAMI AMMUNITION.
- ❗ READ AND UNDERSTAND ALL WARNINGS ASSOCIATED WITH THIS FIREARM, AMMUNITION USED WITH THE FIREARM, AND OR ACCESSORIES USED WITH THIS FIREARM.
- ❗ BE AWARE OF THE MAXIMUM RANGE OF YOUR FIREARM. IF YOU DO NOT KNOW WHAT IS BEYOND YOUR TARGET OR OUTSIDE YOUR VISION IN ANY DIRECTION YOU AIM, DO NOT POINT IN THAT DIRECTION OR PULL THE TRIGGER.


FOR YOUR SAFETY

IT IS OUR SUGGESTION THAT YOU CHECK WITH YOUR STATE POLICE OR LOCAL LICENSED RETAILER FOR ADDITIONAL INFORMATION WITH REGARDS TO FIREARM OWNERSHIP, HUNTING REGULATIONS, AND TARGET SHOOTING RULES THAT MAY BE REQUIRED BY LAW. LAWS ARE IN PLACE AND ARE SUBJECT TO CHANGE, THUS LOCAL AUTHORITIES ARE IN THE BEST POSITION TO ADVISE ON SUCH MATTERS.

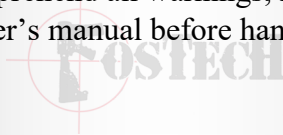
 **FAILURE TO FOLLOW ANY WARNINGS COULD RESULT IN SERIOUS INJURY OR DEATH!**

Thoughtless or aggressive handling of a firearm should never occur. A firearm should be handled with respect at all times. Careless and improper handling of a firearm could result in unintended discharge, causing injury, death, or property damage. Safety must be the first and constant consideration when handling a firearm and ammunition. **SAFETY DEPENDS ON YOU!**

 **THIS FIREARM WAS DESIGNED TO FUNCTION PROPERLY IN ITS ORIGINAL CONDITION. DO NOT ALTER ANY PARTS. DO NOT REPLACE ANY PARTS UNLESS YOU ARE FACTORY-TRAINED TO DO SO AND THEN USE ONLY ORIGINAL FACTORY PARTS FROM FOSTECH.**

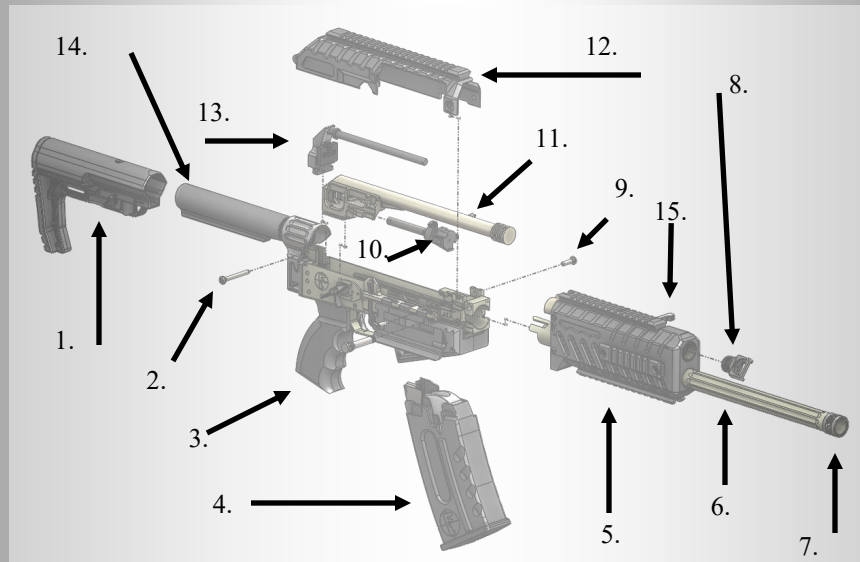
 **THIS FIREARM SHOULD ALWAYS BE CARRIED WITH THE CHAMBER EMPTY AND IN THE SAFE (S) POSITION TO PREVENT ACCIDENTAL DISCHARGE.**

Please read and comprehend all warnings, notes, and procedures depicted in this owner's manual before handling and using your new firearm.



ORIGIN SCHEMATIC

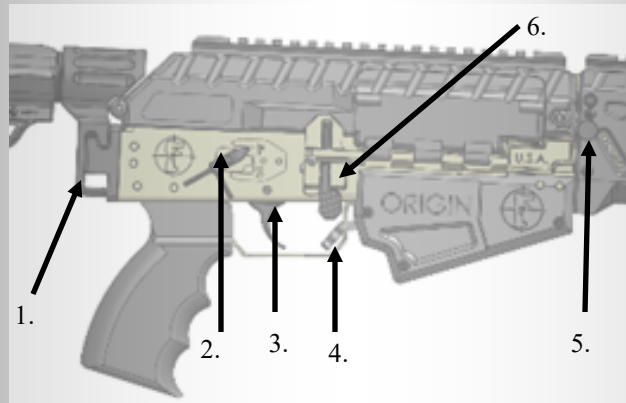
1. Stock
2. Rear Dust Cover Pin
3. Pistol Grip
4. FosTech Magazine
5. Origin Barrel Assembly
6. Barrel
7. Barrel Thread Protector



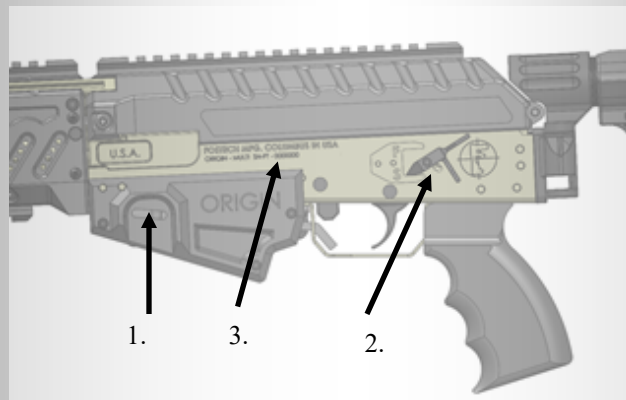
8. Gas Plug
9. Front Dust Cover Pins: (one pin on each side)
10. Bolt Assembly: (Bolt, Bolt Face, & Extractor)
11. Carrier Assembly: (Carrier & Piston)
12. Dust Cover
13. Buffer Assembly: (Buffer Spring Locator, Buffer Pad, & Spring Guide Rod)
14. Mil-Spec Buffer Tube
15. Non-Reciprocating Forward Charging Handle



ORIGIN RECEIVER SCHEMATIC



1. Folding Stock Mount
2. Ambidextrous Safety
3. Trigger
4. Magazine Release
5. Quick Release Pin
6. Last Round Bolt Hold Open (LRBHO)



1. Magazine Release
2. Ambidextrous Safety
3. Serial Number



GENERAL DESCRIPTION

The FosTech Origin is a semi-automatic firearm that operates by charging the action and releasing the bolt. The shell is extracted from the magazine and placed into the chamber for firing. The Origin has a direct, in-line, magazine feed which allows for quick magazine changes. It has a dust cover with a flat-top picatinny rail which allows for a variety of optics to be installed. The safety is ambidextrous and the main functions of the gun are arranged for single hand operation; safety, magazine release, bolt release, and trigger. With its patented gas system technology and a well-constructed operating system, the Origin provides a reliable design.

The Origin breaks down into two components: the receiver assembly and the barrel assembly. The barrel assembly includes the patented gas system. This modular systems makes the Origin easy to clean, store, and transport.

Before firing your new firearm, read the manual in its entirety. This includes but is not limited to the mechanics of firing the firearm, assembling the firearm, and disassembling the firearm. One should always know the location and proper working method of the safety and trigger of the firearm. The appropriate procedures of such operations and specifics are defined in detail throughout the manual and should be read and understood before loading or firing the weapon.

Nomenclature:

In conventional terminology regarding a firearm in the horizontal position, the stock is in the rear or rearward; the muzzle is in the front or forward; the rail for optics is upward or on top; the trigger is downward or on the bottom.



GENERAL DESCRIPTION

SERIAL NUMBER

The serial number is located on the left side of the receiver just below the dust cover. Recording the serial number in the front of the manual is recommended for future reference.



ALWAYS KEEP THE SAFETY IN THE SAFE POSITION UNLESS SHOOTING THE FIREARM. TREAT EVERY GUN AS IF IT IS LOADED WHETHER KNOWN TO BE OR NOT. THE MUZZLE SHOULD BE IN A SAFE DIRECTION AT ALL TIMES. FAILURE TO FOLLOW THESE INSTRUCTIONS COULD RESULT IN SERIOUS INJURY OR DEATH.



ALWAYS USE THE CORRECT GAUGE AND LENGTH OF SHELLS. IT IS RECOMMENDED TO EXAMINE EVERY SHELL BEFORE INSERTING IT INTO THE MAGAZINE. FAILURE TO DO THIS ACTION COULD RESULT IN SERIOUS INJURY OR DEATH.




DO NOT INSERT ANY 12 GAUGE SHELL GREATER THAN 2 ¾ INCHES INTO YOUR ORIGIN. DO NOT INSERT ANYTHING OTHER THAN A SAAMI APPROVED 2 ¾ INCH SHELL. DO NOT INSERT ANY METALLIC SHELLS INTO THE ORIGIN. DO NOT USE RELOADED AMMUNITION IN YOUR ORIGIN. ANY OF THE ABOVE COULD DAMAGE THE FIREARM AND COULD CAUSE SERIOUS INJURY OR DEATH.


The above warnings are for your safety. The easiest way to destroy your Origin or cause serious bodily injury or death is to use ammunition not intended for your weapon.




MAGAZINE CAPACITY

The Origin Shotgun uses a detachable magazine. The magazine and magazine well are integrated for a direct, in-line feed. The Origin has multiple round count magazines available for purchase. The round counts for The Origin include: magazines that will hold 5, 8, or 10 rounds. It comes from the factory with a standard 5 round magazine. FosTecH also offers a 20 or 30 round drum that will fit the Origin.

 **WHEN LOADING THE MAGAZINE DO NOT ATTEMPT TO LOAD THE MAGAZINE OVER THE CAPACITY LIMIT. USE ONLY 12 GAUGE SAAMI APPROVED 2 3/4" SHELLS . FAILURE TO FOLLOW THESE WARNINGS COULD RESULT IN SERIOUS INJURY, DEATH, OR DAMAGE TO THE FIREARM.**

 **DO NOT PLACE A SHELL INTO THE CHAMBER UNLESS READY TO USE THE FIREARM. IT IS DANGEROUS TO CARRY A SHELL IN THE CHAMBER DUE TO ACCIDENTAL DISCHARGE. FAILURE TO FOLLOW THESE WARNINGS COULD RESULT IN SERIOUS INJURY OR DEATH.**

 **WHEN LOADING THE FIREARM ALWAYS KEEP THE MUZZLE IN A SAFE DIRECTION, MAKE SURE THE SAFETY IS IN THE SAFE (S) POSITION, AND KEEP YOUR FINGERS AWAY FROM THE TRIGGER.**

FosTecH undertakes no responsibility for incidents that occur through the use of shells of nonstandard dimensions or those that develop over the recommended standard pressures of SAAMI ammunition.



LOADING THE MAGAZINE

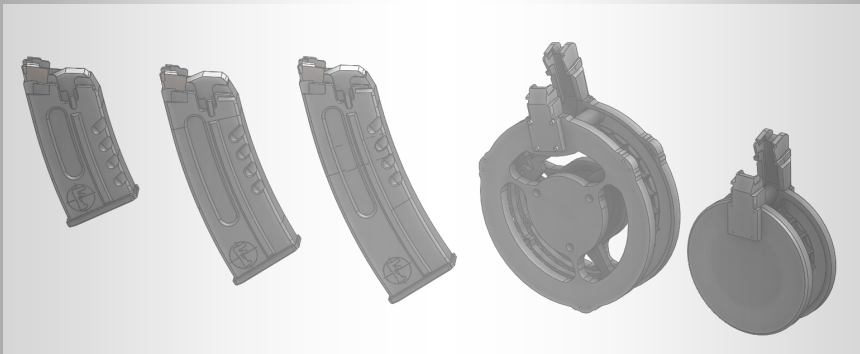
LOADING THE SHELL INTO THE MAGAZINE

Place the shell in the appropriate position so that it can feed into the magazine. Place pressure with your thumb on the shell until it seeps into the tower of the magazine. Continue this process up to the capacity of the magazine. Attention is needed when loading the magazine to ensure that the lip of the shell being inserted stays in front of the lip of the previous shell. If the lip of the shell that you are loading, is allowed to sit behind the lip of the previous shell your magazine will not function properly.

LOADING THE MAGAZINE INTO THE FIREARM

Ensure that the safety is in the SAFE (S) position.

Using your charging handle, bring the carrier group rearward while lifting the last round bolt hold open (LRBHO). This will cause your carrier to be locked into an open position. Insert your correctly loaded Origin magazine directly into the magazine well.



LOADING THE CHAMBER

LOADING THE CHAMBER FROM THE MAGAZINE

Ensure that the safety is in the SAFE (S) position. Once this is verified, press the LRBHO to release the carrier assembly. This releases the carrier group and loads a round into the chamber. Once the safety is placed into the fire position the firearm is ready to be fired.

Note: The Origin is not equipped with a carrier assembly forward assist. If chambering a shell from the magazine to the firearm and the carrier assembly does not fully chamber the shell and lock the bolt, there are two methods to fully chamber the shell and lock the bolt.

Method A.

1. Ensure that the safety is in the SAFE (S) position.
2. Remove the Magazine.
3. Using your charging handle, bring the carrier assembly rearward and manually eject the unspent shell.
4. Inspect the shell for damage before reinserting into the magazine.
5. Repeat the above instructions.

Method B.

1. Ensure that the safety is in the SAFE (S) position.
2. Grasp the forward charging handle.
3. Pull the charging handle rearward enough to release spring tension and release the charging handle quickly.
4. If you pull the charging handle rearward beyond the next shell in the magazine, this will result in a double feed.
5. If a double feed occurs, you will need to execute **Method A.**



SAFETY LEVER



SAFE (S)

The safety lever is ambidextrous and is available on both sides of your Origin. The safety lever has two positions **FIRE (F)** and **SAFE (S)**

FIRE (F)



SAFETY IS THE FIRST AND FOREMOST CONCERN WHEN HANDLING ANY FIREARM. ALWAYS KEEP THE MUZZLE POINTED IN A SAFE DIRECTION! KEEP YOUR FINGERS OUTSIDE THE TRIGGER AREA UNTIL YOU ARE AIMED AT A PROPER SAFE TARGET AND INTEND TO FIRE! KEEP THE SAFETY LEVER IN THE SAFE (S) POSITION UNTIL YOU ARE AIMED AT A PROPER TARGET AND ONLY THEN MOVE THE SAFETY LEVER TO THE FIRE (F) POSITION.




THE SAFETY LEVER IS NOT INTENDED AS A REPLACEMENT FOR SAFE GUN HANDLING PRACTICES. DO NOT RELY ON THE SAFETY LEVER ALONE TO KEEP YOU AND OTHERS SAFE.

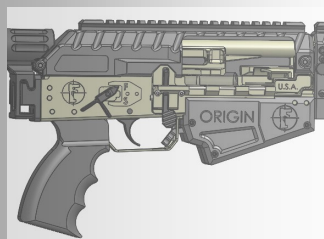



IF THE TRIGGER HAS BEEN RELEASED AND THE FIREARM IS RETURNED TO THE SAFE (S) POSITION, YOU WILL NOT BE ABLE TO MOVE THE CHARGING HANDLE REARWARD UNTIL YOU MOVE THE SAFETY TO THE FIRE (F) POSITION. BE CERTAIN TO RETURN YOUR FIREARM TO THE SAFE (S) POSITION UNTIL SHOOTING IS IMMINENT.

OPERATION (FIRE CONTROL)

 NEVER CHAMBER A SHELL OR MOVE THE SAFETY FROM THE SAFE (S) POSITION UNLESS SHOOTING THE FIREARM IS IMMINENT. THE MUZZLE OF THE FIREARM SHOULD ALWAYS BE IN A SAFE DIRECTION. FAILURE TO FOLLOW THESE WARNINGS COULD LEAD TO SERIOUS INJURY OR DEATH.

1. Load a shell into the chamber. (as previously explained)



 THE ORIGIN IS NOW READY TO BE FIRED BY PULLING THE TRIGGER. IF SHOOTING IS NOT IMMINENT THE SAFETY SHOULD STAY IN THE SAFE (S) POSITION

2. With a shell in the chamber, and ready to fire, move the safety into the FIRE (F) position, aim, and squeeze the trigger.
3. After a shell is fired, you can continue to pull the trigger at your own pace for the action of the gun has fully cycled a round and is reset for the next. You may continue to fire the weapon until the magazine in use is empty.
4. When you are done shooting verify the gun is empty by: placing the gun in SAFE (S), releasing the magazine from the gun and moving the charging handle rearward and manually locking the carrier assembly open against the LRBHO. Visually inspect the chamber to ensure that there are no shells left in the chamber. This is the recommended practice to ensure a safe firearm.



UNLOADING

! WHEN UNLOADING YOUR FIREARM ENSURE THAT THE SAFETY IS IN THE SAFE (S) POSITION. KEEP THE MUZZLE POINTED IN A SAFE DIRECTION AND YOUR FINGERS AWAY FROM THE TRIGGER. FAILURE TO FOLLOW THESE WARNINGS COULD RESULT IN SERIOUS INJURY OR DEATH.

UNLOADING YOUR FIREARM

1. Ensure that the safety is in the SAFE (S) position.
2. Release the magazine by either pressing the release by the magazine well or inside the trigger guard.
3. Pull the charging handle rearward and utilize the last round bolt hold open release and leave the action open. When there is a shell in the chamber, you must pull rearward with enough force to eject the unspent shell.
4. Visually check and verify that the chamber is unloaded and that the unspent shell ejected from the firearm.
5. The action can be left open for storage. This practice is helpful in identifying that the firearm is unloaded from a visual aspect.

UNLOADING THE MAGAZINE

1. To unload the magazine, push down on the top of the rim of the shell and slide each shell out one at a time.



! ALWAYS VISUALLY INSPECT THE CHAMBER TO ENSURE THAT THERE IS NO AMMUNITION REMAINING IN THE CHAMBER.

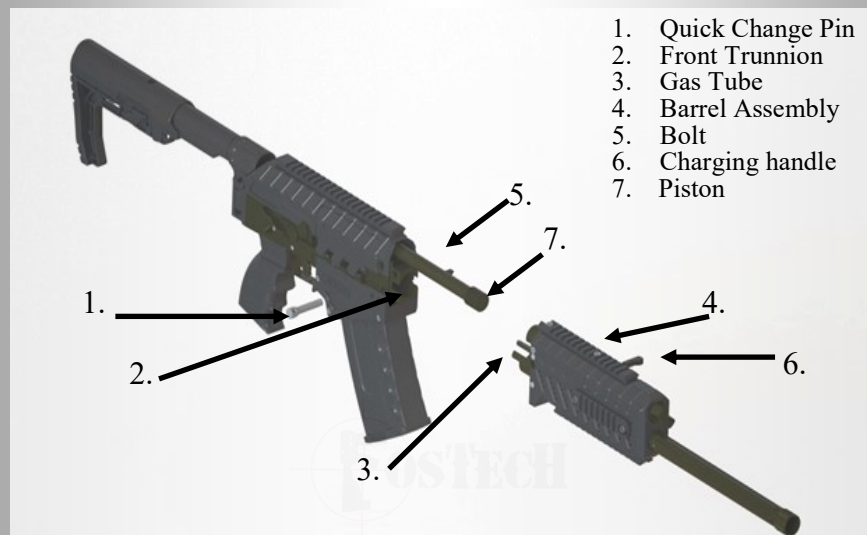


QUICK CHANGE BARREL SYSTEM

! BEFORE WORKING ON ANY FIREARM, MAKE SURE THAT THE FIREARM IS UNLOADED, THE MUZZLE IS IN A SAFE DIRECTION, AND THE SAFETY IS IN THE SAFE (S) POSITION. FAILURE TO FOLLOW THESE WARNINGS COULD LEAD TO SERIOUS INJURY OR DEATH.

ASSEMBLING THE QUICK CHANGE BARREL SYSTEM

1. Make sure that the firearm is clear of any and all ammunition and make sure the **charging handle is all the way forward.**
2. Release the carrier assembly from the LRBHO (Make sure to release the carrier assembly in a controlled manner and do not let it slam forward).
3. Remove the quick change pin from the barrel assembly.
4. Align the piston to the gas tube and the front trunnion to the chamber and slide the barrel assembly to the receiver.
5. Once aligned, insert the quick change pin back into the barrel assembly. Tighten the quick change pin to remove any play between the barrel assembly and the receiver.
6. The rear dust cover pin can be used as a tool to tighten and loosen the quick change pin.



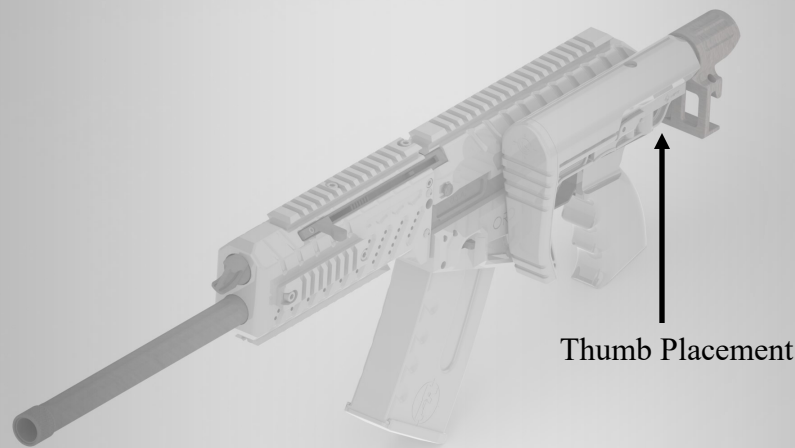
FOLDING STOCK MOUNT

STOCK

The Origin comes standard with a mil-spec buffer tube and stock. The stock is adjustable in length and folds toward the left side of the firearm. (If looking from the top of the firearm, it would be clockwise)

To fold the stock, hold the Origin in a standard manner. Raise your thumb and place it under the folding mount pivot pin. Push upward with your thumb and fold the stock toward the left side of the firearm. Remove the upward pressure from the pin and the stock will lock into a folded position.

To return the stock to a standard position, hold the shotgun in a standard manner. Raise your thumb under the folding mount pivot pin. Push upward with your thumb and return the stock to its standard position. Remove the upward pressure from the pin and your stock is now locked into standard position.




ADJUSTABLE GAS SYSTEM

The Origin is designed with an adjustable gas system. This patented system allows the Origin to pick up the gas as soon as it leaves the chamber, making it very efficient. Its purpose is to allow you to control the amount of gas that is leaving the firearm. The efficiency of the gas system also makes it

IMPERATIVE to make the proper adjustment so that you do not damage your firearm.

The adjustment is very simple to do and you can use a shotgun shell as your wrench. With lighter loads of ammunition, such as target or small game loads, the port should be closed or opened slightly. For heavy loads, such as high brass or slugs, the port should be opened allowing the gas to be exhausted.

 **BE CAUTIOUS OF WHERE YOUR HAND IS HOLDING THE FORE-END OF THE ORIGIN. THE GAS PLUG WHEN OPENED AND FIRED WILL EXHAUST HOT GAS WITH GREAT FORCE. KEEP ALL BODY PARTS AWAY FROM THIS PORT WHEN SHOOTING THE ORIGIN.**

When you adjust the system you want to ensure that the hole in the gas plug is facing upward. This allows the gas that escapes to also assist in helping control muzzle rise. This is a great advantage to the Origin and assists in putting more rounds on target.

The gas adjustment is ported and the hole in the gas plug increases in size as the gas adjustment is threaded out. The larger the hole that is visible in the gas plug the more gas that is being exhausted. The exact opposite is true. If you thread the gas plug adjustment toward the firearm, the hole that is visible gets smaller and if adjusted all the way down, will not allow any gas to escape.



ADJUSTABLE GAS SYSTEM

Ideal performance is achieved when the extracted shells are falling 5-8 feet away from the shooter.

If you are extracting shells at a greater distance than this, you need to open the port to allow more gas to be exhausted.

If your Origin fails to eject a spent cartridge, it is likely that you do not have enough gas pressure and you need to close the gas system so that less gas escapes. If this occurs, thread in your gas plug two full revolutions and repeat the test fire. When shells are extracting 5-8 feet away from the shooter your gas system is set correctly.

If you are extracting shells at a lesser distance than 5-8 feet, you need to continue to turn the gas plug towards the firearm to allow less gas to escape.

**IT IS CRUCIAL TO ADJUST YOUR GAS SYSTEM.
CONTINUED SHOOTING OF AN OVER GASSED
WEAPON CAN LEAD TO STRUCTURAL FAILURE.**

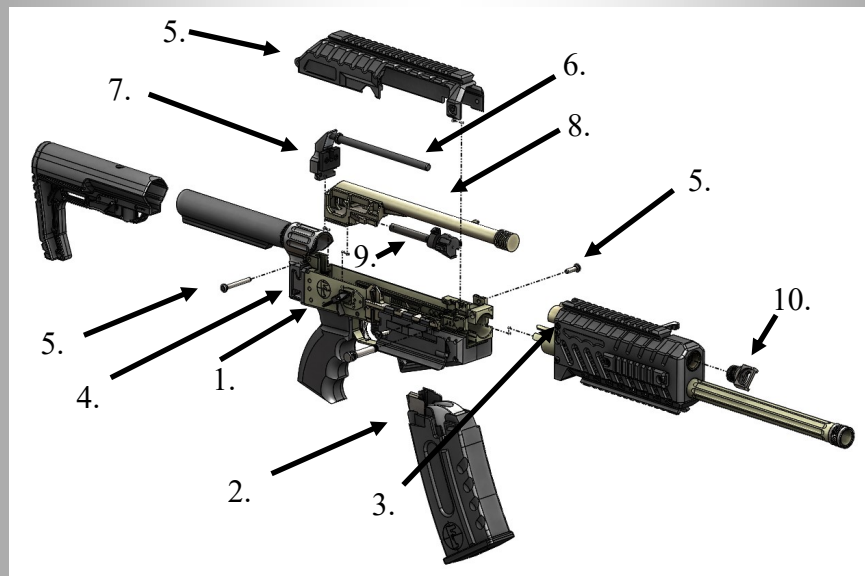


MAINTENANCE

FIELD STRIPPING AND CLEANING THE FIREARM:

It is recommended to clean the firearm after each use. This allows for minimal debris build-up and preserves the function of the firearm. Always wear eye protection when disassembling the firearm and or magazine.

1. Verify that the firearm is unloaded and the safety is in the SAFE (S) position.
2. Remove the magazine.
3. Remove the quick change pin and separate the barrel assembly from the receiver assembly.
4. Fold the stock.
5. Remove the two front dust cover pins, rear dust cover pin, and remove the dust cover.
6. Remove the carrier spring and carrier spring locator.
7. Remove the buffer spring locator.
8. Slide carrier assembly rearward until it is clear of the receiver rails and remove the carrier assembly.
9. Remove the bolt from the carrier assembly.
10. Remove the adjustable gas plug.
11. Clean and Lubricate each part.
12. Repeat the above steps in reverse order to reassemble.



MAINTENANCE



FOSTECH'S WARRANTY IS NULL AND VOID IF YOU DISASSEMBLE YOUR FIREARM FURTHER THAN EXPLAINED IN THIS MANUAL. THE ORIGIN IS A WELL-CRAFTED AND UNIQUELY ENGINEERED FIREARM. YOU MAY FOREVER DAMAGE THE FIREARM IN AN ATTEMPT TO DISASSEMBLE IT FURTHER. IF YOUR FIREARM NEEDS SERVICE OR REPAIR, PLEASE CONTACT FOSTECH AT 1-855-5FOSTECH.



MAINTENANCE

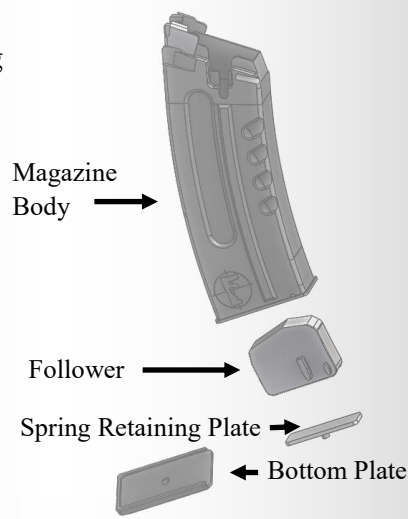
CLEANING THE MAGAZINE

It is recommended to clean the magazine. This allows for minimal debris build up and preserves the function of the magazine. Always wear eye protection when disassembling the magazine.

1. Verify that the firearm is unloaded and the safety is in the SAFE (S) position.
2. Remove the magazine by using one of the two magazine release levers.
3. Push the locking detent on the bottom of the magazine in and slide the bottom plate of the magazine to the rear.
Caution is needed in manually retaining the magazine spring while removing the magazine bottom plate so as not to allow a hazardous release of spring tension.
4. Once the spring is removed, you can remove the magazine follower. Clear any debris and wipe away any build up or dirt.

****Note: it is recommended to apply a light coating of oil and to wipe it clean before reassembly****

5. Reassemble the magazine by inserting the magazine follower, spring, retaining plate, and sliding the bottom plate back into position.
6. Assure that the magazine retaining plate is seated properly in the bottom of the magazine .



SERVICE & REPAIR

If your firearm needs service or repair, please contact
Fostech's Technical Department.
1-855-5FOSTECH

Do NOT send your firearm back to FosTech without a Service Authorization Number (SAN). Once you receive the SAN, FosTech will provide shipping information.

1. Ensure that the firearm is unloaded.
2. Remove all optics. FosTech will not be responsible for any optics returned with the Origin.
3. Make sure that the package is secure in an approved shipping container.
4. Ship using a FosTech approved Shipping Company. The firearm must be shipped Adult Signature Required and must be accompanied by a SAN.
5. Include the SAN and a description of the issue.



NEVER SEND AMMUNITION WITH YOUR FIREARM



FOSTECH'S WARRANTY IS NULL AND VOID IF YOU DISASSEMBLE YOUR FIREARM FURTHER THAN EXPLAINED IN THIS MANUAL. THE ORIGIN IS A WELL-CRAFTED AND UNIQUELY ENGINEERED FIREARM. YOU MAY FOREVER DAMAGE THE FIREARM IN AN ATTEMPT TO DISASSEMBLE IT FURTHER THAN EXPLAINED IN THIS MANUAL. IF YOUR FIREARM NEEDS SERVICE OR REPAIR, PLEASE CONTACT FOSTECH.

1-855-5FOSTECH
SALES@FOSTECH.US



ORIGIN SHOTGUNS

There are 3 coating options for the Origin Family of Firearms.

FosTech Hard Black (Entire Weapon is FosTech Hard Black)



! NFA LAWS APPLY TO ALL SBS SHOTGUNS

FosTech Hard Black with FosTech Hard Nickel Internals

(Receiver & Barrel are Hard Black with FosTech Hard Nickel Internals)



! NFA LAWS APPLY TO ALL SBS SHOTGUNS

FosTech Hard Nickel (Entire Weapon is FosTech Hard Nickel)



! NFA LAWS APPLY TO ALL SBS SHOTGUNS



ORIGIN ACCESSORIES

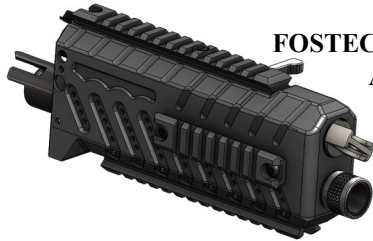
The Origin has different options for barrel assemblies:

FOSTECH HARD BLACK BARREL ASSEMBLY



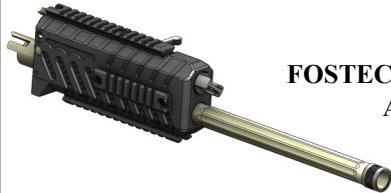
MFG# O-12-18-U

FOSTECH HARD BLACK SBS BARREL ASSEMBLY



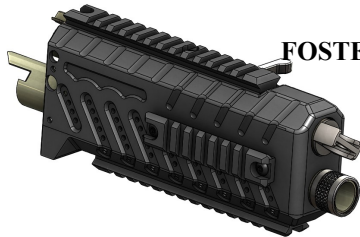
MFG# O-12-SBS-U

FOSTECH HARD NICKEL BARREL ASSEMBLY



MFG# O-12-NT-18-U

FOSTECH HARD NICKEL SBS BARREL ASSEMBLY



MFG# O-12-NT-SBS-U



NFA LAWS APPLY TO ALL SBS SHOTGUNS



ORIGIN ACCESSORIES

The Origin has different magazine and drum options:

Magazine Options:

5 Rounds



O-12-MAG-5

8 Rounds



O-12-MAG-8

10 Rounds



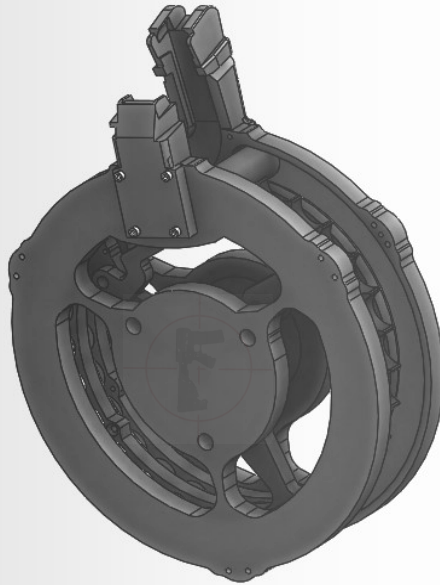
O-12-MAG-10



ORIGIN ACCESSORIES

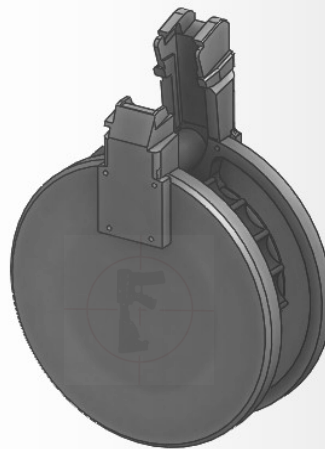
DRUM Options:

30 Rounds



O-12-DRUM-30

20 Rounds



O-12-DRUM-20



ORIGIN ACCESSORIES

Origin Upgradeable Accessories



1/2 Recoil Pad

- Scorpion razorback Recoil pad
- Recoil impact is absorbed
- Increased thickness for Recoil absorption of heavy loads



ORIGIN CHOKE TUBE ADAPTER

A choke tube adapter for your Origin that threads on to the externally threaded barrel, and allows you to use readily available and economical **Remchoke** tubes. The adapter is fluted instead of slotted so that it can be threaded for **Remchoke** tubes.

This allows you to use your Origin for turkey hunting with a turkey choke, or try a rifled choke tube with slugs and a red dot sight or low power optic in a shotgun-only deer zone. It also improves the pattern and performance of your tactical loads.



- Removable/Adjustable cheek rest kit
- Includes short cheek rest with 1/2 inch of adjustment

Fits: ATI TactLite stock only



LIMITED PRODUCT WARRANTY

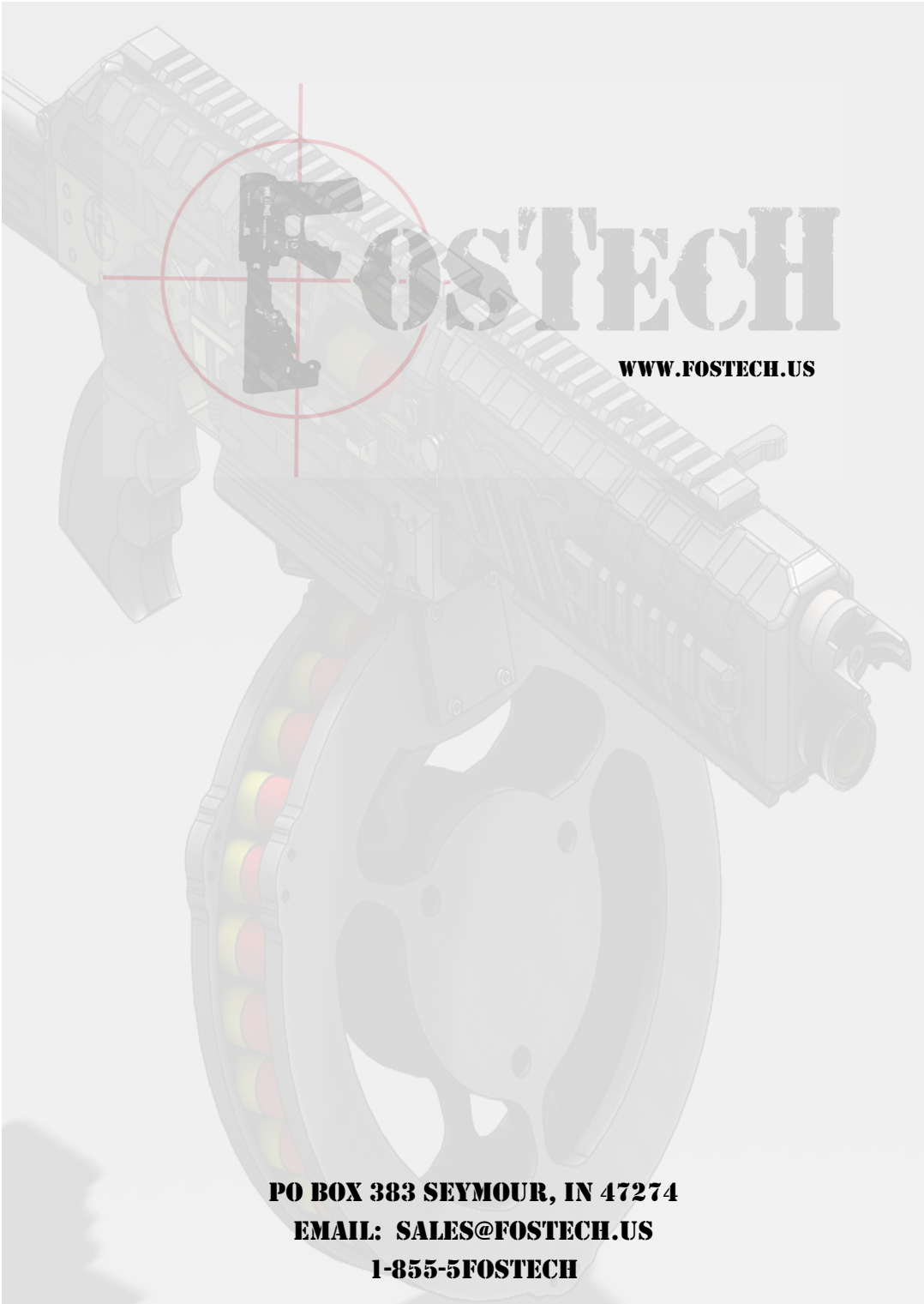
WARRANTY

FosTech warrants to the initial retail purchaser that the FosTech family of firearms to be free from defects in materials and workmanship when used under normal conditions. This FosTech warranty is applicable to the original or initial purchaser only and it is effective for the first 365 days after initial purchase. In order to be covered under FosTech's warranty, the purchaser must complete the warranty card and it must be received by FosTech.

This warranty is limited to the repair or replacement of the part or parts which are returned to FosTech and which are determined by FosTech to be defective. This warranty is not transferrable to anyone and applies only to the original purchaser of the firearm.

Items that are excluded from this warranty include: A.) Normal wear of finishes and of all metal or plastic parts. B.) Defects or malfunctions resulting from careless handling of the firearm. C.) Use of defective, old, improperly loaded, or incorrect gauge or caliber ammunition. D.) Scratches or external wear marks on the plastic or metal components.





FOSTECH

WWW.FOSTECH.US

PO BOX 383 SEYMOUR, IN 47274

EMAIL: SALES@FOSTECH.US

1-855-5FOSTECH