

# P SERIES

## OPERATOR'S MANUAL



**HK**<sup>®</sup>  
HECKLER & KOCH

Covers HK P2000, P2000SK, P30, P30L, P30S,  
P30LS series pistols (all calibers and variants)

## SAFETY RULES

Please read this operator's manual before handling your firearm. The following safety rules are placed in this manual by HK as an important reminder that firearm safety is your responsibility. Firearms can be dangerous and can potentially cause serious injury, damage to property or death, if handled improperly.

1. Never point a firearm at anyone or in any direction other than a SAFE direction, i.e. down range.
2. Treat all firearms as if they are always loaded.
3. Keep your finger off the trigger and outside of the trigger guard until your sights are aligned on the target and you are ready to fire.
4. Keep your finger off the trigger and outside of the trigger guard while loading or unloading the firearm.
5. Keep your finger off the trigger and outside of the trigger guard while pulling the firearm out of the holster or while returning it to the holster.
6. Be sure of your target and the backstop beyond.
7. Never give a firearm to or take a firearm from anyone unless the action is open and the magazine and/or chamber are free of any ammunition or brass.
8. Be sure that the ammunition you are using is factory loaded, is of the correct caliber for the firearm in which it is to be used, and that it is not damaged in any way.
9. Before firing, remove the magazine from the firearm, lock the action open, make sure the chamber is clear of any ammunition or brass, and check the barrel of the **unloaded** firearm for any possible obstructions.
10. Before firing any firearm that is unfamiliar to you, make sure that you understand exactly how it functions. A lack of familiarity with the firearm can result in serious accidents. Attend a certified training course on any firearm which you intend to use or with which you are not sufficiently familiar.
11. Always wear hearing and eye protection when using your firearm.
12. Keep all body parts, especially the hands and fingers, away from the muzzle to avoid injury or burns.
13. Be sure that no part of either hand touches or interferes with the slide. The slide is moved backward by the recoil force of the pistol during firing and may cause serious injury.
14. Firearms should be locked and stored separately from ammunition and beyond the reach of children and/or any untrained individuals.
15. Avoid the use of any alcoholic beverages or drugs before or during your use of a firearm.
16. Discharging firearms in poorly ventilated areas, cleaning firearms, or handling ammunition may result in exposure to lead; a substance known to be associated with birth defects, reproductive harm and other serious injury. Have adequate ventilation at all times. Wash hands thoroughly after exposure.

**STOP! Know how to clear this pistol before attempting to operate.**

**Clearing the Pistol** - The HK Pistol is not considered "clear" or safe unless:

1. The safety/control lever (if present) is on "SAFE" and;
2. The magazine is removed from the pistol;
3. The slide is locked to the rear and;
4. The chamber is free of brass or ammunition.

**To Clear the HK Pistol:**

1. **Make sure fingers are outside of the trigger guard and the pistol is pointed in a safe direction at all times!**
2. **Remove magazine.** Depress the magazine release lever and remove the magazine from the pistol.
3. **Open and lock slide.** While pointing the pistol in a safe direction, lock the slide open by pulling the slide rearward as you press the slide release upward. Watch for a cartridge or empty case to be ejected from the pistol.
4. **Inspect chamber.** Inspect chamber for the presence of a cartridge or empty case by:
  - Visually viewing chamber through open ejection port.
  - Physically inserting finger into chamber through ejection port to check for the presence of a cartridge or empty case.
  - Remove any cartridges or empty cases from the chamber or from within the pistol.

**The HK Pistol is now considered "Clear."**

**WARNING: A firearm has the capability of taking your life or the life of someone else! Be extremely careful with your firearm. An accident can occur at anytime and is almost always the result of not following basic safety rules.**

## P Series Operator's Manual



**HK**  
HECKLER & KOCH

**Covers all P2000, P2000SK, P30, P30S, P30L, P30LS series pistols (all calibers and variants)**

### HECKLER & KOCH

5675 Transport Boulevard  
Columbus, Georgia 31907 USA  
Tel: (706) 568-1906 • Fax: (706) 568-9151

USA Website: [www.hk-usa.com](http://www.hk-usa.com) • Global Website: [www.heckler-koch.com](http://www.heckler-koch.com)

© Heckler & Koch USA (Heckler & Koch Inc. and Heckler & Koch Defense Inc.) revised Jan. 2013, All rights reserved  
Specifications and models subject to change without notice.

## TABLE OF CONTENTS

Safety Precautions & Clearing.....	Inside Cover
Section 1 Introduction .....	5
Section 2 Nomenclature .....	10
Specifications.....	12
Section 3 Function & Operation .....	14
Clearing.....	14
Operating Controls & Components .....	15
Sights & Sight Adjustment .....	16
Section 4 Ammunition .....	17
Section 5 Instructions for Use .....	18
Filling & Emptying the Magazine .....	18
Loading .....	18
Firing.....	19
Unloading .....	19
Selection & Use of a Holster .....	20
Storage & Transport .....	20
Interchangeable Grip Panels.....	21
Section 6 Disassembly & Assembly .....	24
Magazine Disassembly .....	28
Magazine Assembly .....	30
Section 7 Cleaning & Maintenance .....	31
Inspection .....	31
Lubrication .....	32
Troubleshooting Problems & Repair .....	33
Warranty Registration Inforamtion.....	33
HK Lock-Out Device.....	34
Accessories .....	35
Section 8 P2000 Parts List .....	36
Exploded View .....	37
Parts List - P2000SK .....	38
Exploded View .....	39
Parts List - P30 .....	40
Exploded View .....	41
Firearms Service Record .....	42

## SECTION 1 INTRODUCTION

The HK "P Series" includes the P2000, P2000SK (Subcompact), P30, and P30L; all major handgun models recently developed by Heckler & Koch.

The P2000 and P2000SK (Subcompact) incorporate features of the successful HK USP Compact pistol with the latest innovations of HK engineers. A refinement of a design created for several European police agencies, the P2000 and P2000SK are available with a traditional single-action/double-action trigger mode and the LEM (Law Enforcement Modification) trigger system first introduced by HK in 2001 on the USP Compact "LEM" model.

The HK Law Enforcement Modification (LEM) trigger system, also known as the Combat Defense Action system in Europe, combines the advantages of a cocked striker component (constant level of trigger pull from first to last round fired) with a double-action hammer system. Using such an enhanced trigger system consolidates ease of use and safety into a convenient, innovative trigger operation—one that reduces the chance of unintended firing. And in case of an ammunition-related failure to fire, all that is needed is an additional second or third squeeze of the trigger without the need of first pulling the slide back to re-cock the pistol. The enhanced LEM trigger system combines the reliability of a double action revolver trigger with the crisp trigger of a single action pistol.

On P2000 and P2000SK variants using the conventional double-action/single-action (DA/SA) mode of operation an ambidextrous decocking button is mounted on the left, rear portion of the frame. It allows the user to safely lower the hammer from SA position to DA position. This DA/SA variant of the P2000 and P2000SK is readily identifiable by the presence of the serrated decocking button and spurred hammer.

A set of simple-to-install modular grip inserts allow all P2000/P2000SK models to be custom-fitted to any shooter's hand. An ambidextrous magazine release and dual slide release levers make handling P2000/P2000SK pistols natural and easy for right and left-handed shooters alike.

The addition of "industry standard" mounting rails to the P2000 and P2000SK allows the widest variety of lights, aimers, and accessories to be added by sliding them onto the open rail system. The HK P2000 US model uses widely available, reliable USP Compact magazines. The same magazines fit the P2000SK for added firepower, but extend past the grip.

Like the P2000 and P2000SK, the P30 and P30L (Long Slide) are modern police and security pistols that combines function and safety. Ergonomic features includes a special frame with interchangeable backstraps inserts and lateral grip panels (lateral plates), allowing the pistol to be individually adapted to any user.

Multiple trigger firing modes include the Law Enforcement Modification (LEM) enhanced double action covered previously and a conventional double-action/single-action (DA/SA) with a serrated decocking button located on the rear of the frame. A conventional safety lever is also present on the frame of the P30S (for safety) and P30LS. Other ambidextrous controls include dual slide and magazine release levers.

A Picatinny rail molded into the front of the frame makes mounting lights, laser aimers, or other accessories easy and convenient and a double action hammer with a firing pin block safety that eliminates the need for a manual safety. Extensively tested, the P30 and P30L have already been adopted by several European police agencies. Excellent weight and balance make all P30 models naturally pointable, easy to control, and accurate to shoot.

A set of easy-to-install modular back straps allow the P30 and P30L pistols to be custom-fitted to any shooter's hand. The P30 also incorporates interchangeable side panels for optimal fit. Ambidextrous slide release levers and magazine release levers make handling the P Series pistol natural and easy for right and left-handed shooters. The P30 and P30L are also available with the LEM or DA/SA trigger systems

Due to their modular design, all HK P Series pistol can be fitted to the individual needs of the shooter. Highly reliable, safe, durable, and accurate pistols with significant ergonomic features, the P30 pistol is currently available in 9 mm and .40 S&W. P2000 and P2000SK pistols are currently available in .40 S&W, and 9 mm, with .357 SIG by special order.

#### **Significant features include:**

- Modular grip with exchangeable back straps to easily adjust the grip size to the shooter's hand
- P30 types incorporate interchangeable grip panels in addition to the interchangeable backstraps
- Ideal size and weight to comply with the requirements of the full range of police and security missions, including concealed carry
- Set of "industry standard" (P2000 and P2000SK) mounting grooves molded into the polymer frame for installing accessory lights and laser aimers
- Picatinny Rail (available on all P30 types; P30, P30S, P30L, P30LS)
- Advanced design with contoured external surfaces to avoid snagging on holster and clothing
- Polymer recoil absorber "stop" bushing used on P2000, P30 types aids in recoil reduction, double recoil/buffer spring assembly used on P2000SK
- Ambidextrous slide release (located on both sides of the frame)
- Ambidextrous magazine release
- Low-profile slide and slimline, compact dimensions
- Very short trigger reset distance to enhance the speed of multiple or follow-up shots
- No snag hammer with a rubber insert for improved dropped safety
- Polygonal cold-hammer forged barrel for less barrel wear, better gas seal behind the bullet, and easier bore cleaning

All P Series pistols use a modified Browning-type action, much like the HK USP and USP Compact. And like the USP and USP Compact, the P Series pistols also uses a similar mechanical recoil reduction system. This system includes a specially designed flat recoil spring, contained in the captive recoil spring assembly by an absorber bushing made of a high-strength polymer. The double recoil/buffer spring assembly used on P2000SK performs the same function.

The polymer frame of the P Series pistol was designed using technical experience gained by HK engineers in the development of the world's first composite material pistols, the HK VP70Z and P9S (polymer outer frame/steel internal frame), and more recently, in the USP and USP Compact. These same high-strength/corrosion-free materials are used in the Mark 23/MK 23 handgun made by HK for the U.S. Special Operations Command. Major metal components like the one-piece, machined steel slide are also corrosion resistant and treated with a special "HE" (Hostile Environment) protective finish. The HE finish is an extremely hard, nitro-gas carburized black oxide coating which resists much of the worst types of corrosion and wear, including limited exposure to salt water.

#### **Law Enforcement Modification**

This unique pre-cocked hammer system combines the advantages of a cocked striker component (constant level of trigger pull and short trigger travel from first to last round fired) with the double-action hammer system. This ensures an extremely safe pistol with regard to unintended firing and, in case of failure to ignite, the possibility of a second or third trigger pull without the need of first pulling the slide back to re-cock the system.

This is a major advantage over the striker-fired trigger systems employed by competing manufacturers which need to be manually re-cocked (slide pulled back) before the trigger can be pulled.

#### **Law Enforcement Modification (LEM) Variant 2 (V2), V1 (Light LEM), V1S (with safety) Firing Double-action only mode - (Hammer uncocked)**

1. **Aim** - Aim at the target.
2. **Fire** - Fire the pistol by pressing the trigger straight to the rear with gradually increasing pressure.

---

**NOTE: The P2000, P2000SK, P30, and P30L models with LEM trigger systems fire in a Double-Action Only mode and its hammer will automatically return to the uncocked position each time the slide returns to its forward position and the trigger is released.**

---

P Series pistols fitted with the Law Enforcement Modification (LEM) trigger operate much like standard Double-Action Only (DAO) variants of the USP and USP Compact pistols. However, the way in which the LEM hammer is cocked is unique. The hammer in the LEM is a two-piece hammer comprised of a cocking piece (not visible with the pistol assembled) and an external (visible) bobbed hammer.

In the LEM system, the quality of the trigger pull is improved, while at the same time a stronger hammer spring can be employed to improve reliability by increasing the firing pin indent on the primer. The stronger hammer spring also helps to reduce the slide velocity when firing "hot" ammunition.

P2000, P2000SK, P30 and P30 L pistols with an LEM trigger system use the rearward movement of the slide during loading or firing to fully compress the hammer spring instead of relying on the rearward pull of the trigger as in conventional DA or DAO systems.

The cocking piece and hammer are rotated rearward on the hammer axle when the slide moves fully rearward. When fully to the rear, the cocking piece is held in the cocked position by the sear and the hammer spring has been fully compressed by the hammer strut. As the slide travels forward, the hammer is rotated back and held in the forward position by the catch.

When the trigger is pulled rearward against the combined force (at approximately 7.3 – 8.5 pounds new, approximately 4.5 pounds on "V1" P30 types) of the trigger, hammer rebound, firing pin block and sear springs, the internal passive safeties are disengaged and the sear releases the cocking piece. The cocking piece is then free to rotate the hammer forward on its axle, under pressure of the compressed hammer spring, imparted through the hammer strut to strike the firing pin and fire the chambered round.

#### **Double Action/Single Action Variant 3 (V3)**

**Firing the Single-Action (SA) Mode Pistol** – (Hammer cocked, DA/SA variant)

1. **Aim** – Aim at the target.
2. **Fire** – Fire the pistol by pressing the trigger straight to the rear with gradually increasing pressure.

**Firing the Double-Action (DA) Mode** – (Hammer uncocked, DA/SA variant)

1. **Engage Decocking Lever** – Apply forward pressure to the serrated surface of the de-cocking lever. This allows the hammer to safely assume the uncocked position.
2. **Aim** – Aim at the target.
3. **Fire** – Fire the pistol by pressing the trigger straight to the rear with gradually increasing pressure.
4. **Decock** – Engage decocking lever to return to the double-action mode. The P Series

DA/SA variant will revert to the single-action mode on each shot unless the operator physically decocks the hammer by way of the decocking lever.

On the double-action/single-action variant, pulling the trigger will cock the hammer and immediately release it firing the first chambered cartridge. All subsequent cartridges will be fired in the single-action mode because the slide automatically recocks the hammer after each shot is fired.

**Unloading the Pistol** - To unload the pistol, follow the "Clearing" procedure.

**Clearing the Pistol** - HK P Series pistols are not considered "clear" or safe unless:

1. The magazine is removed from the pistol.
2. The slide is locked to the rear.
3. The chamber is free of brass or ammunition.

To Clear the HK P Series pistol:

1. Make sure fingers are outside of the trigger guard and the pistol is pointed in a safe direction at all times!
2. Remove magazine - Depress the magazine release lever and remove the magazine from the pistol.
3. Open and lock slide - While pointing the pistol in a safe direction, lock the slide open by pulling the slide rearward as you press the slide release upward. Watch for a cartridge or empty case to be ejected from the pistol.
4. Inspect chamber - Inspect chamber for the presence of a cartridge or empty case by:
  - Visually viewing chamber through open ejection port.
  - Physically inserting finger into chamber through ejection port to check for the presence of a cartridge or empty case.
  - Remove any cartridges or empty cases from the chamber or from within the pistol.

The HK Pistol is now considered "Clear."

**Double-action/Single-action Modes (P Series pistol)** - The P Series DA/SA variant (designated a Variant 3) is configured with a combination double-action/single-action mode of operation. The P Series DA/SA variant is not equipped with the LEM trigger mechanism.

In the single-action mode, rearward movement of slide cocks the hammer. Initially, this occurs by pulling the slide to the rear. Serrations cut on both left and right sides of the rear of the slide aid the operator by providing a firmer gripping surface. Chambering of the first round occurs by either depressing the slide release when the slide is locked back to the rear or by pulling the slide to the rear and releasing it. After the first round of the magazine is chambered then discharged, all subsequent cartridges will be fired in the single-action mode again due to the rearward movement of the slide passing over and cocking the hammer. In the double-action mode, pulling the trigger will cock the hammer and immediately release it firing the first chambered cartridge. All subsequent cartridges will be fired in the single-action mode because the slide automatically recocks the hammer after each shot fired.

**Decocking Lever (P Series DA/SA Variant 3)** - P Series DA/SA variants are equipped with a decocking lever that allows the operator to safely lower the hammer without having to engage the trigger. The pistol will now function and fire in the double-action mode, however; all subsequent shots will be single action. The decocking lever is located on the rear of the frame to the left of the hammer and is activated by simply applying forward pressure on the serrated surface (see Figure 1). It allows the user to lower the hammer from SA position to DA position. This variant of the P Series U.S. is readily identifiable by the presence of the serrated lever (see Figure 2).



Figure 1

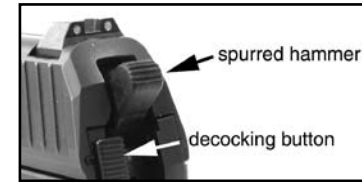


Figure 2

Another unique feature making the P Series pistol truly ambidextrous is the presence of a slide release on both sides of the frame. These slide release levers are positioned to allow easy actuation without adjustment of the grip of the shooting hand and are easily removed during operator disassembly.

**NOTE: On the P2000 and P2005K, the right-side slide release must be rotated up to 45° to remove. On all P30 models, the slide release levers are normally not intended to be removed during disassembly.**

Low-profile 3-dot sights are standard on the P Series pistol. The rear sight is drift adjustable for windage. Elevation changes can be made by replacing the front sight blade with an accessory sight of a different height.

The P Series pistol uses metal magazines to minimize the grip size. These magazines have a series of viewing holes on the back side for counting the cartridges remaining inside. An extended magazine floorplate with a durable finger extension is provided on each pistol's magazine. Floorplates on all magazines can be removed for cleaning and maintenance. The polymer floorplate offers a level of protection to the magazine if dropped.

**WARNING: P Series pistols, except special models with a magazine disconnect feature installed, will fire if the magazine is removed, a cartridge is in the chamber, and the trigger is pressed.**

To reduce barrel wear, the P Series pistols have polygonal, cold-hammer forged barrels. This feature not only ensures longer barrel life and easier bore cleaning, but produces a better gas seal behind the bullet for increased muzzle velocity.

A set of industry standard mounting grooves for installing accessories is molded in the polymer frame. These grooves allow many accessories and targeting devices to be mounted on the P Series pistols without modification to the pistol.

**NOTE: Improperly designed or installed accessories may result in damage to the mounting grooves and/or the pistol. Such damage is not covered under the limited lifetime warranty. Be certain to use only HK authorized accessories and follow installation and precautions carefully.**

P Series pistols are extremely safe firearms with both passive and active safeties. The user activated HK Lock-Out Device is also installed on P Series pistols (see pages 36 and 37 for more information on this feature). Safe, simple to field strip and maintain, P Series pistols are reliable and trouble-free handguns.

SECTION 2 NOMENCALTURE



Figure 3A P2000 (left side view)



Figure 4A P30 (right side view)



Figure 3B P2000 SK (right side view)



Figure 4B P30L (left side view)  
Inset of P30S (with safety lever and decocker)

## P2000 SPECIFICATIONS

Caliber	.40 S&W, .357 SIG	9mm x 19
Operating Principle	Short recoil, modified	Short recoil, modified
Action Type	Browning type, linkless	Browning type, linkless
Sights	Three dot, fixed patridge style, drift adjustable	Three dot, fixed patridge style, drift adjustable
Total Length	173mm (6.81 in.)	173mm (6.81 in.)
Barrel Length	93mm (3.66 in.)	93mm (3.66 in.)
Barrel Profile	Six-sided polygonal	Six-sided polygonal
Sight Radius	142mm (5.59 in.)	142mm (5.59 in.)
Twist Length	250mm (9.84 in.)	250mm (9.84 in.)
Overall Height (with magazine inserted)	138mm (5.43 in.)	138mm (5.43 in.)
Overall Width	34mm (1.34 in.)	34mm (1.34 in.)
Weight (with empty magazine)	765 grams (27 oz.)	709 grams (25 oz.)
Weight of empty magazine	85 grams (3 oz.)	85 grams (3 oz.)
Magazine Capacity	10 cartridges / 12 cartridges	10 cartridges / 13 cartridges
Safety Features	(1) Double-action mode with hammer intercept notch, (2) Firing pin block, (3) Disconnecter, (4) Drop safety, (5) Lock-out device, (6) Optional magazine disconnect	
Variant 2 (V2)	Law Enforcement Modification (LEM) enhanced DAO	
Variant 3 (V3)	Double Action/Single Action (DA/SA) with Decocker	

## P2000 SK SPECIFICATIONS

Caliber	.40 S&W, .357 SIG	9mm x 19
Operating Principle	Short recoil, modified	Short recoil, modified
Action Type	Browning type, linkless	Browning type, linkless
Sights	Three dot, fixed patridge style, drift adjustable	Three dot, fixed patridge style, drift adjustable
Total Length	163mm (6.42 in.)	163mm (6.42 in.)
Barrel Length	83mm (3.27 in.)	83mm (3.27 in.)
Barrel Profile	Six-sided polygonal	Six-sided polygonal
Sight Radius	132mm (5.20 in.)	132mm (5.20 in.)
Twist Length	250mm (9.84 in.)	250mm (9.84 in.)
Overall Height (with magazine inserted)	117mm (4.61 in.)	117mm (4.61 in.)
Overall Width	36mm (1.28 in.)	36mm (1.28 in.)
Weight (with empty magazine)	730 grams (25.8 oz.)	675 grams (23.8 oz.)
Weight of empty magazine	75 grams (2.65 oz.)	75 grams (2.65 oz.)
Magazine Capacity	9 cartridges	10 cartridges
Safety Features	(1) Double-action mode with hammer intercept notch, (2) Firing pin block, (3) Disconnecter, (4) Drop safety, (5) Lock-out device, (6) Optional magazine disconnect	
Variant 2 (V2)	Law Enforcement Modification (LEM) enhanced DAO	
Variant 3 (V3)	Double Action/Single Action (DA/SA) with Decocker	

Specifications and models subject to change without notice.

## P30 SPECIFICATIONS

Caliber	9mm x 19	.40 S&W
Operating Principle	Short recoil, modified	
Action Type	Browning type, linkless	
Sights	Open rectangular notch rear sight with contrast points (no radioactive)	
Total Length	177.5mm (6.99in.)	
Barrel Length	98mm (3.86in.)	
Barrel Profile	Six-sided polygonal	
Sight Radius	148.5mm (5.85in.)	
Twist Length	250mm (9.84 in.)	
Overall Height (with magazine inserted)	138mm (5.43 in.)	
Overall Width	34.8mm (1.37 in.)	
Weight (with empty magazine)	739 grams (26.08 oz.)	
Weight of empty magazine	93 grams (3.28 oz.)	
Magazine Capacity	15 cartridges (9mm)	13 cartridges (.40 S&W)
Safety Features	(1) Double-action mode with hammer intercept notch, (2) Firing pin block, (3) Disconnecter, (4) Drop safety, (5) Lock-out device	
Variant 1 (V1)	Light trigger pull, Law Enforcement Modification (LEM) enhanced DAO	
Variant 2 (V2)	Standard trigger pull, Law Enforcement Modification (LEM) enhanced DAO	
Variant 3 (V3)	Double Action/Single Action (DA/SA) with Decocker	

P30S specifications approximately the same except for additional width (38.46 mm /1.51 in.) and weight (790 grams /27.87 oz.)

## P30L SPECIFICATIONS

Caliber	9mm x 19
Operating Principle	Short recoil, modified
Action Type	Browning type, linkless
Sights	Open rectangular notch rear sight with contrast points (no radioactive)
Total Length	192 mm (7.56 in.)
Barrel Length	113 mm (4.45 in.)
Barrel Profile	Six-sided polygonal
Sight Radius	163 mm (6.42 in.)
Twist Length	250 mm (9.84 in.)
Overall Height (with magazine inserted)	138 mm (5.43 in.)
Overall Width	34.8 mm (1.37 in.)
Weight (with empty magazine)	780 grams (27.52 oz.)
Weight of empty magazine	93 grams (3.28 oz.)
Magazine Capacity	15 cartridges
Safety Features*	(1) Double-action mode with hammer intercept notch, (2) Firing pin block, (3) Disconnecter, (4) Drop safety, (5) Lock-out device
Variant 1 (V1)	Light trigger pull, Law Enforcement Modification (LEM) enhanced DAO
Variant 2 (V2)	Standard trigger pull, Law Enforcement Modification (LEM) enhanced DAO
Variant 3 (V3)	Double Action/Single Action (DA/SA) with Decocker

P30LS specifications approximately the same except for additional width (38.46 mm / 1.51 in.) and weight (830 grams /29.28 oz.)

\* External safety of P30S and P30LS models

## SECTION 3 FUNCTION AND OPERATION

### CLEARING

**WARNING: Always clear the pistol before handling it.**

Clearing the Pistol - The P Series pistol is not considered "clear" or safe unless:

1. The safety/control lever (if present) is on "SAFE" and;
2. The magazine is removed from the pistol;
3. The slide is locked to the rear and;
4. The chamber is free of brass or ammunition.

#### To Clear the HK P Series pistol:

1. **Make sure fingers are outside of the trigger guard and the pistol is pointed in a safe direction at all times!**
2. **Remove magazine.** Depress the magazine release lever and remove the magazine from the pistol.
3. **Open and lock slide.** While pointing the pistol in a safe direction lock the slide open by pulling the slide rearward as you press the slide release upward. Watch for a cartridge or empty case to be ejected from the pistol.
4. **Inspect chamber.** Inspect chamber for the presence of a cartridge or empty case by:
  - Visually viewing chamber through open ejection port.
  - Physically inserting finger into chamber through ejection port to check for the presence of a cartridge or empty case.
  - Remove any cartridges or empty cases from the chamber or from within the pistol.

#### The P Series pistol is now considered "Clear."

**General** - (Refer to Figures 3 & 4 for the location of the features described below.) Heckler & Koch P Series pistols are recoil operated and uses a modified Browning-style system, without a link, to lock and unlock the barrel.

Upon firing, the pressure developed by the propellant gases forces the slide and barrel assembly to the rear. After moving approximately 3mm, the locking block will stop the rearward movement of the barrel. The barrel is pulled downward due to the engagement of the angled locking surfaces of the locking block with those located on the end of the recoil spring guide rod. The locking block disengages from the slide and the slide continues rearward independently from the barrel. The extractor, located on the right side of the slide, extracts the spent case. The ejector, positioned in the left side of the frame rearward of the magazine, will then eject the fired cartridge case. The rearward moving slide then cocks the hammer and compresses the recoil spring.

Once fully to the rear, the compressed recoil spring pushes the slide forward, stripping the next cartridge from the magazine into the chamber. If the magazine is empty, the magazine follower lifts the slide release into position where it can stop the forward progress of the slide and holds the slide open. If a cartridge is present in the magazine, the slide will push the cartridge from the magazine and into the chamber.

**WARNING: Do not rely on the slide position to determine if the magazine is empty. Always check visually and physically to ensure the pistol is not loaded.**

During the last 3mm of forward movement, the slide forces the angled surfaces of the barrel locking block against opposing angled surfaces on the recoil spring guide rod. This action pivots the locking block on the barrel up into engagement with the ejection port on the slide. The breech is now locked closed and the next shot can be fired.

## OPERATING CONTROLS & COMPONENTS

**WARNING: The P Series LEM incorporates a double-action only mode of operation. Anytime the trigger is pulled with a cartridge in the chamber, the pistol will fire from the hammer-down position.**

In the double-action only mode, the hammer always returns to the uncocked (forward) position after each shot. All shots are fired in the double-action only mode.

**Decocking Button** - Double action/single action variants of the P series use a serrated decocking button (lever) located on the rear, left side of the frame to uncocked a cocked pistol. Depressing the decocking button (usually using the thumb) safely drops the cocked hammer rendering the pistol safe and uncocked.

**Safety Lever (if applicable)** - In addition to a decocking button on the rear of the frame, some P series pistols may also have a safety lever installed on either (or both) sides of the frame. Pushing the safety lever up into the "S" position places the pistol on "SAFE" while moving the lever downward into the horizontal "F" position enables the pistol to fire.

When the front of the safety lever is fully raised above horizontal so that the "S" on the lever itself aligns with the reference line on the frame, the safety lever is engaged and the release of the hammer is blocked in the single-action mode of fire. In the double-action mode, the hammer will partially cock but will not release to fire the pistol. To fire the pistol, the front of the control lever is moved down into the horizontal position, i.e. the "FIRE" position. In this position, the "F" on the lever aligns with the reference line located on the frame. With the safety lever set on "F", the pistol will fire if the trigger is pulled and a cartridge is in the chamber.

**Magazine** - The P2000 model uses the same magazines as the popular USP Compact. P Series magazines are constructed of metal with polymer floorplates, followers and locking plate pieces. Cartridges are positioned within the magazine in a staggered arrangement but are fed into the pistol from a single row under the feed lips. The cartridges are visible through the numbered viewing holes located in the back of the magazine. For maintenance and cleaning, all P Series magazines can be disassembled.

**No Magazine Disconnect Feature** - For maximum functionality, most P Series models are not equipped with a magazine disconnect feature and can be fired with the magazine removed from the pistol. The ability to fire a semiautomatic pistol while in the process of loading or unloading is considered critical in a military, law enforcement or personal defense encounter. A magazine disconnect is only available as an optional feature on new P Series pistols (not the P2000SK) or can be retrofitted to existing guns. Please contact HK Customer Service for more information (tel. 706-568-1906).

**NOTE: To verify the presence or absence of the magazine disconnect feature, CLEAR THE P Series (inside cover & page 14), ensuring the chamber is empty, the pistol is unloaded, and pointed in a safe direction. With the magazine removed, press the trigger. If compressing the trigger activates the hammer and the pistol "dry fires", no magazine disconnect is installed. If compressing the trigger fails to activate the hammer, a magazine disconnect is present.**

**WARNING: P Series pistols, except special models with a magazine disconnect feature installed, will fire if the magazine is removed, a cartridge is in the chamber, and the trigger is pressed.**



**Ambidextrous Slide Release** - A slide release lever is located on both the left and right side of the frame directly above the trigger. These levers are used to lock the slide open, to release the slide, and to disassemble the pistol. As a slide stop, it is lifted upward by the magazine follower or the operator's finger as the slide travels rearward during recoil or manual manipulation. The slide release engages in the recess located on the left side of the slide at its midpoint. The slide release is spring actuated and is held down out of engagement with the slide until required. The slide release will automatically hold the slide open when the last shot is fired. As a disassembly lever, the left side slide release is removed from the left side of the frame when the slide is held partially rearward. During disassembly, the slide release on the right side of the pistol remains attached to the frame until it is rotated upward approximately 45° and lifted off the frame.

---

**NOTE:** The left-side slide release on all P30 models is normally not removed but is pulled out until in stops. The right-side lever on all P2000 models must be rotated 45° to be removed or frame damage will result.

---

**Magazine Release Lever** - This ambidextrous, spring actuated lever holds the magazine in place within the grip by engaging in the notch found on the front of the magazine housing. Depressing this lever downward with the firing index finger or thumb will allow the magazine, regardless of the number of cartridges inside, to drop free of the frame. The magazine release lever is shielded from accidental actuation by the design of the polymer frame and flared trigger guard surrounding it.

**Frame** - All sides of the polymer frame are textured to ensure a firm grip, even with wet hands or under conditions of rapid fire. The trigger guard is tapered with the front surface grooved to provide a firm grip when using two hands or gloves to fire the pistol. The frame is a one-piece molded component with metal inserts (locking insert and guiding part) cast into the frame during production. The slide rides on these metal inserts during operation. The front of the frame exterior contains mounting grooves for the attachment of accessories. The bottom rear of the frame has finger recesses located to the left and right of the magazine well for manual extraction of the magazine, if necessary. The serial number of the pistol is engraved in the metal insert incorporated into the front of the frame, in front of the trigger guard, on the left side of the slide, and on the barrel locking block.

---

**NOTE: Some evidence of wear in areas where the polymer frame and steel slide interface is normal.**

---

#### SIGHTS AND SIGHT ADJUSTMENT

The P Series uses the proven 3-dot sighting arrangement. By aligning all three dots horizontally on the target, with the front sight dot centered between the rear sight dots, the operator can quickly and easily engage the target with a high degree of accuracy. The rear sight can be adjusted for windage by drifting the sight to the left or to the right, depending on the desired shot placement. Bullet impact on target will move in the same direction that the rear sight is moved. Be careful not to damage the slide or slide finish when adjusting the rear sight. Adjustments for elevation are accomplished by exchanging the front sight with a higher or lower sight. The height of the front sight is indicated on the bottom of the sight blade. The front sight must be removed by using a drift punch or an HK-approved sight pusher (contact HK Customer Service Staff for more information).

To raise the bullet impact on target, a shorter front sight is installed. To lower the bullet impact on target, a taller front sight is installed. Installing the next higher or lower front sight will change the point-of-impact 2 inches at 25 meters, depending on the ammunition used. P Series pistols are function fired and zeroed at the factory at 25 meters, point-of-aim, point-of-impact. Your actual zero may vary depending on the ammunition used and/or your style of shooting.

## SECTION 4 AMMUNITION

---

**WARNING: HK specifically disclaims any responsibilities for any damage or injury that should occur because of, or as a result of, the use of faulty, remanufactured, or reloaded (hand loaded) ammunition, or of cartridges other than those for which the pistol was originally chambered for.**

---

The HK P Series pistol is designed to fire quality, factory-loaded ammunition, loaded to NATO or SAAMI specifications for use specifically in handguns.

The following guidelines should be considered when selecting the correct ammunition for your pistol:

1. Be sure the ammunition you have chosen is compatible with your pistol-proper caliber, cartridge, bullet weight, etc. Caliber markings on the P Series pistol appear on the left side of the slide and on the barrel locking block, visible through the ejection port on the right side of the slide.
2. Prior to loading the magazine and chamber, carefully inspect all cartridges for the following abnormalities:
  - Cracked, split, dirty or corroded cases
  - Improperly seated projectiles and/or primers
  - Damaged projectiles.
3. Do not attempt to fire a cartridge in which the projectile has been forced back into the case. Upon firing, this condition may result in increased chamber pressure above safe limits.
4. Do not fire ammunition through a pistol that:
  - Is foreign and/or outdated military surplus
  - Is assembled with corrosive primer and/or propellant
  - Is exposed to oil, grease, water or direct sunlight. If possible, remove contaminants before use and cool down ammunition exposed to direct sunlight or heat. (Exposure to sources of heat could raise the chamber pressure of the cartridge above safe limits.)
  - Is loaded specifically for use in submachine guns.

---

**CAUTION: HK firearms are designed to function with quality, manufactured brass-cased ammunition. Use of steel or aluminum-cased cartridges is not recommended and could adversely affect safe and reliable functioning. Use of cast-lead bullets is also not recommended.**

---

---

**NOTE: Use of +P and +P+ ammunition accelerates wear and reduces the service life on the component parts of any pistol, including the P Series pistols, and is not recommended. For further information on ammunition selection, contact HK Customer Service at 706-568-1906.**

---

## SECTION 5 INSTRUCTIONS FOR USE

### FILLING AND EMPTYING THE MAGAZINE

**NOTE: Do not attempt to load more than the prescribed number of cartridges into the magazine. Do not alter the shape of the magazine housing, follower or spring. To do so may cause stoppages or the magazine may not seat properly in the pistol.**

#### Filling the Magazine



Figure 5

1. Hold the magazine in the non-firing hand with the back side of the magazine resting against the palm.
2. Using the firing hand, hold a cartridge between the index finger and thumb with the projectile facing the palm.
3. Press the rim of the cartridge down against the forward edge of the magazine follower or on the top cartridge already in the magazine.
4. Slide the cartridge back into the magazine under the feed lips.
5. Repeat steps 1-4 until the magazine is full. The viewing holes in the back of the magazine allow the operator to confirm the number of cartridges present within the magazine.

Emptying the Magazine - Exert pressure with a finger on the base of the cartridge and push each cartridge forward out of the magazine one at a time until the magazine is empty.

#### LOADING

**WARNING: Forcefully inserting a loaded magazine into many pistols may cause the pistol's slide to close, chambering a cartridge and making the pistol ready to fire. When inserting a magazine, always be sure the P Series is pointed in a safe direction with your fingers off the trigger and outside the trigger guard. Failure to do so could cause you to unintentionally fire the pistol, resulting in serious injury or death.**

**Administrative Loading** - Used to initially load the pistol before it is to be fired.

Slide rearward or forward, chamber empty.

1. Make sure fingers are outside of the trigger guard and the pistol is pointed in a safe direction at all times!
2. Insert magazine - Insert the magazine firmly into the frame. Tug on the magazine to insure that it is fully seated and engaged.

3. Chamber a cartridge - Chamber a cartridge by depressing the slide release or by pulling the slide fully to the rear and releasing it. Do not ride the slide forward!
4. Top off - Remove the magazine and top it off by inserting one additional cartridge.
5. Replace Magazine - After topping off the magazine, replace it in the pistol and ensure that it is properly seated and engaged.

#### FIRING

##### WARNING

1. Be sure of your target and what's behind it! A bullet from a pistol travels as far as a mile. It can easily penetrate wood or plasterboard walls or even a car door.
2. Be sure that your hands and all parts of your body are kept away from the muzzle of your pistol at all times!
3. Always wear eye and ear protection when firing the pistol.

Double-action only mode - (Hammer uncocked)

1. Aim - Aim at the target.
2. Fire - Fire the pistol by pressing the trigger straight to the rear with gradually increasing pressure.

**NOTE: The P2000/P2000SK (LEM V2) fires in the double-action only mode and its hammer will automatically return to the uncocked position each time the slide returns to its forward position and the trigger is released.**

DA/SA action mode - (Hammer cocked)

1. Aim - Aim at the target
2. Fire - Fire the pistol by pressing the trigger straight to the rear with gradually increasing pressure.

**NOTE: In the DA/SA mode, the P Series (V3) pistols fire in double-action mode for the first round. After the first round, the hammer will automatically return to the cocked position each time the slide returns to its forward position and the trigger is released.**

**UNLOADING** - To unload the pistol, follow the "Clearing" procedure.

Clearing the Pistol - The P Series pistol is not considered "clear" or safe unless:

1. The magazine is removed from the pistol.
2. The slide is locked to the rear.
3. The chamber is free of brass or ammunition.

To Clear the HK P Series:

1. Make sure fingers are outside of the trigger guard and the pistol is pointed in a safe direction at all times!
2. Remove magazine - Depress the magazine release lever and remove the magazine from the pistol.
3. Open and lock slide - While pointing the pistol in a safe direction, lock the slide open by pulling the slide rearward as you press the slide release upward. Watch for a cartridge or empty case to be ejected from the pistol.
4. Inspect chamber - Inspect chamber for the presence of a cartridge or empty case by:
  - Visually viewing chamber through open ejection port.
  - Physically inserting finger into chamber through ejection port to check for the presence of a cartridge or empty case.

Remove any cartridges or empty cases from the chamber or from within the pistol.

The HK P Series pistol is now considered "Clear".

If the pistol fails to fire, clear and disassemble it and check for:

1. Obstructions in the chamber, bore or frame. Remove obstructions.
2. Bad ammunition. Try new ammunition.
3. Damaged magazine. Replace magazine.
4. Fouling or lack of lubrication. Clean and lubricate the pistol in accordance to the instructions contained within this manual.
5. Evidence of severely worn or broken parts. Contact HK or your unit armorer.

If your pistol still fails to operate correctly, contact your unit armorer, authorized HK dealer, or HK's Customer Service Department for guidance.

**WARNING: If a cartridge is assembled without powder (a fault of the manufacturing process), the primer alone has enough power to propel the bullet into the bore. A bullet lodged in the bore may cause damage to the barrel and/or pistol if another cartridge is fired and could cause personal injury or even death. This event is commonly called a "squib load" or "pop and no kick," and is characterized by a reduced report and little or no movement of the slide. An alert operator could notice the occurrence of this event in time to avoid firing the next cartridge.**

## SELECTION AND USE OF A HOLSTER

Selection - When selecting a carrying holster for the HK P Series pistols, it is important to consider the following points:

1. The holster must not make contact with or actuate any of the operating controls. This includes the hammer, slide release, magazine release lever, and most importantly the trigger. The design of the holster must also not actuate these controls when the pistol is carried in, drawn from or returned to the holster.
2. The holster should not cause the slide to move (unlock) when the pistol is returned to the holster.
3. Accommodations must be provided in the holster for any accessories that might be present on the pistol.
4. Choose a holster designed specifically for a P Series pistol. A list of manufacturers that make holsters for a variety of HK pistols is available at the Heckler & Koch website or by contacting HK Customer Service.

**Returning the pistol to the holster** - The P Series pistol must be made "Safe" (or cleared) prior to returning it to the holster. The pistol is considered safe to return it to the holster when:

1. All fingers are off of the trigger and out of the trigger guard.
2. The pistol is "clear."
3. In DA/SA mode, pistol is decocked and the safety is on (if applicable)

**WARNING: The pistol must never be returned to the holster unless the above procedures have been followed or injury or death could occur.**

## STORAGE AND TRANSPORT

1. Store or transport the pistol and its components clean and lubricated.
2. Store and transport the pistol without cartridges in the chamber, magazine or in the storage container.
3. Store and transport the pistol with the slide forward and the hammer down (uncocked).
4. Clean and lubricate the pistol and its components at least every twelve (12) months during storage.

5. Store the pistol and its components in a clean, dry, dust-free environment with regulated temperature controls.
6. Store the pistol and ammunition separately under lock and key.

**Long-Term Pistol Storage** - Anytime the slide is moved fully rearward on any Variant 1 or 2 (LEM enhanced DAO) P Series, the hammer spring is compressed and held in that position until the cocking piece is released by pulling the trigger on the pistol. Therefore, for long-term storage (more than 1 year), it is suggested that the pistol first be CLEARED (refer to page 3) and made safe, then pointed in a safe direction and dry fired to release pressure on the hammer spring to maintain its life span. Store magazines empty to maintain maximum spring life span.

**NOTE: For optimal long-term storage, clear the V1 & V2 P Series and release pressure on the cocking piece and hammer spring by dry firing the pistol one time.**

## INTERCHANGEABLE BACKSTRAPS

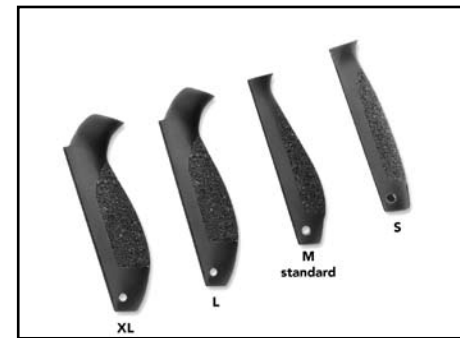


Figure 6  
Extra Large, Large, Medium (standard), & Small Backstraps

Backstrap removal for all P Series pistols - Ensure the pistol is CLEAR and decocked (see page 3) and the magazine is removed. Dry firing the pistol will relieve any tension on the hammer spring prior to removal of the grip panel. With an appropriate metal punch, carefully tap out the lanyard loop roll pin (Figure 7).

Extract the pin once it is protruding from the frame. When the pin is removed, the grip panel can be slid downward off the frame (Figure 8). Take care that the hammer strut and hammer spring do not fall out of the frame and become lost or damaged.



Figure 7



Figure 8

Backstrap installation for all P Series pistols - Ensure the hammer strut and hammer spring are properly positioned on the back of the frame (Figure 9). Place the replacement grip panel on the back of the frame, approximately 1 inch (2.54cm) lower than its assembled position (Figure 10), and push the grip panel up onto the grip rails.



Figure 9



Figure 10

Continue pushing the grip panel upward on the frame. As the grip panel slides upward onto the grip rails, the hammer spring will compress slightly creating resistance. Continue to slide the grip panel upward until it fits flush and there is no gap between the top of the grip panel and frame.

At this point, the pin holes on the grip panel and the frame will line up. Carefully reinsert the pin and push it through the grip panel and frame using finger pressure (Figure 11).

With the pin properly aligned in the grip panel and the frame, carefully tap the pin until it is fully seated and centered in the frame (Figure 12).



Figure 11

Hold the Grip Panel in place while Inserting the pin.

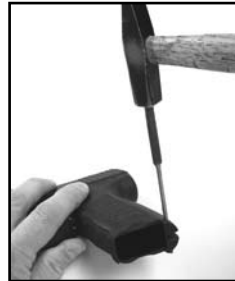


Figure 12

Carefully tap the pin all the way back in.

**CAUTION: Be careful not to damage the P Series when removing and installing backstraps or grips panels.**

**Interchangeable Side Panels and Backstraps - P30/P30L/P30S/P30LS Pistols**

Three easily exchangeable back strap inserts/ grip shells of different heights enable a perfect adaptation of the weapon to differing hand sizes.

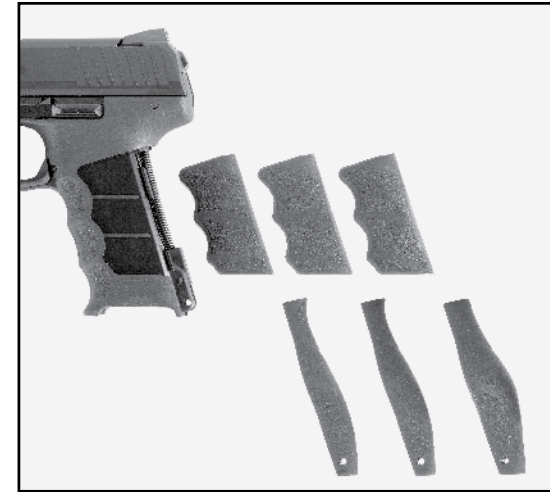


Figure 13

Grip panels and backstraps (L-M- Standard)

**Removing the Grip Panels** - First, follow the instructions for removing the P Series backstrap. Once the back strap has been removed, the side panels will easily slide horizontally away from the frame of the pistol.

**Installing the Grip Panels** - First choose the grip panels which best fit your hand. Then slide the grip panel horizontally into the grip slot. The grip panel will fit securely. Then, follow the instructions for installing the backstrap.



Figure 14

Once the backstrap is removed, simply slide grip panels off the frame.

## SECTION 6 DISASSEMBLY AND ASSEMBLY

Clear the pistol by following the directions on the inside cover

### Disassembly (Field Stripping) of P2000/P2000 SK pistol

1. Make sure the pistol is CLEAR.
2. Depress the slide release and allow the slide to move forward.
3. Using the firing hand, retract and hold the slide to the rear so that the axle of the slide release is visible through the recess in the left side of the slide (see Figure 15).
4. With the non-firing hand, completely remove the left slide release from the left side of the frame by pressing on the axle of the slide release from the right side of the frame. The right slide release will remain attached to the frame.



Figure 15

5. Remove the slide with barrel and recoil spring assembly by sliding it forward off of the frame (see Figure 16 below).



Figure 16

6. Carefully remove the recoil spring assembly from the barrel and slide by lifting up on the rear of the recoil spring guide rod. The entire assembly can now be lifted out of the slide (see Figure 19). P2000/and P2000 SK pistols use a "captive" recoil spring assembly. Disassembly of the recoil spring is not recommended.
7. Lift the rear of the barrel by the locking block and withdraw it from the slide.
8. Remove the right slide release by rotating it upward approximately 45° and lifting it out of the frame.

### Disassembly of the P30/P30L/P30S/P30LS

1. Make sure the pistol is CLEAR.
2. Depress the slide release and allow the slide to move forward.
3. Using your right hand, retract and hold the slide to the rear so that the slide release axle lines up with the forward square cutout (arrow) on the slide. (See Figure 17)



Figure 17

4. With the left hand, press the slide release axle from the right to the left until the red indicator is showing (Figure 18). Then remove the slide with the barrel and recoil spring assembly by sliding it off the frame.



Figure 18

**CAUTION: It is not necessary to remove the slide axle beyond this point and doing so could damage the pistol.**

5. Remove the slide with barrel and recoil spring assembly by sliding it forward off of the frame (see Figure 16).
6. Carefully remove the recoil spring assembly from the barrel and slide by lifting up on the rear of the recoil spring guide rod. The entire assembly can now be lifted out of the slide (see Figure 19). The P Series pistol uses a "captive" recoil spring assembly. Disassembly of the recoil spring is not recommended.
7. Lift the rear of the barrel by the locking block and withdraw it from the slide.



Figure 19

**NOTE: Disassembly of the pistol is now complete. Only an HK certified armorer should disassemble the pistol further.**

#### P2000 & P2000 SK Pistol Assembly

1. Install the right slide release into the recess located on the right side of the frame and rotate it downward until it is parallel to the top of the frame. Ensure that the tab on the lever is engaged in the recess cutout in the frame and that the lever is then pushed into the frame and rotated downward approximately 45°.
2. Position the barrel in the slide so that:
  - The muzzle of the barrel fits in the hole in the front of the slide.
  - The locking block portion of the barrel fits within the ejection port and the angled locking surfaces of the locking block are visible along the bottom of the slide.
3. Install the recoil spring assembly into the slide so the front of the recoil spring guide rod engages in the small hole provided in the front of the slide.
4. Align the opposing angled locking surfaces on the rear end of the recoil spring guide rod with those located on the bottom of the barrel locking block (see Figures 20 & 21).
5. Push the rear of the recoil spring assembly forward enough so that the recoil spring retainer can be engaged on the shelf provided on the front of the barrel locking block (see Figure 20, 21, & 22).



Figure 20 (relationship of recoil spring assembly to barrel locking block inside of slide)

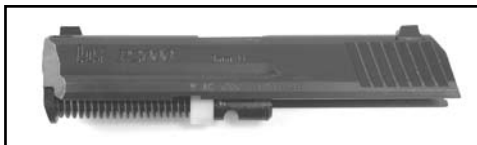


Figure 21 (recoil spring assembly and barrel properly positioned in the slide)

6. Hold the slide in the non-firing hand with the thumb holding the rear end of the recoil spring assembly in place on the slide.



Figure 22

7. Check the position of the sear axle on the frame. Ensure that it does not protrude from either side of the frame.
8. Hold the frame in the firing hand. Position the rear of the slide above the front edge of the frame.
9. Slowly draw the slide back onto the frame so that the metal inserts in the frame fit into the grooves on the inside of the slide (see Figure 23).



Figure 23

10. Retract the slide to the point where the recess in the left side of the slide is positioned over the hole where the axle of the slide release will go and hold it there.
11. Insert the slide release from left to right into the frame until it is flush with the side of the frame.

**NOTE: Assembly of the pistol is now complete. Clear the pistol and check it for correct assembly and operation. Be sure the slide moves freely on the frame and with the pistol cleared and pointed in a safe direction, ensure all controls operate correctly. As applicable, check double-action only mode, slide release, and the magazine release.**

## MAGAZINE DISASSEMBLY

**NOTE: Only P2000 (not the P2000SK or P30) models use widely available USP Compact magazines. A variety of USP Compact magazines are in use, including those with extended and flat floorplates with high capacity and 10-round capacity, USP Compact 9mm magazines with a 13-round capacity and USP Compact .40 magazines with a 12-round capacity. USP Compact 9mm and .40 S&W magazines with a 10-round capacity are also available.**

**NOTE: European P2000 magazines will not fit the P2000 model.**



Figure 24a 10-round and high-capacity magazines



Figure 24b

**CAUTION: Beware of the spring tension exerted by the magazine spring while removing and installing the magazine floorplate. Keep the base of the magazine pointed in a safe direction (away from the face and eyes) at all times during disassembly and reassembly and wear eye protection.**

### Disassembly of high-capacity magazines

1. Using a blunt, pointed instrument, depress the locking detente located in the floorplate and hold it there (see Figure 24b).
2. Place a portion of either hand over the base of the magazine to control the release of the magazine spring and locking plate.
3. Slowly slide the floorplate forward off of the magazine housing.
4. Gradually allow the locking plate and magazine spring to expand out of the magazine housing (see Figure 25).
5. Remove the locking plate, magazine spring and magazine follower from the magazine housing.

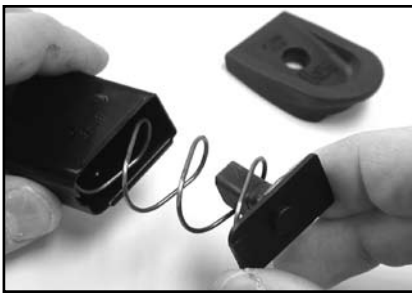


Figure 25  
Locking plate and spring



Figure 26  
Magazine spring and follower

### Disassembly of 10-round magazines:

1. Using a blunt, pointed instrument, depress the locking insert detente located in the floorplate and hold it there (see Figure 24b).
2. Place a portion of either hand over the base of the magazine to control the release of the magazine spring and locking insert.
3. With the locking insert detent still depressed, squeeze the floorplate locking tabs located on the right and left sides of the magazine.

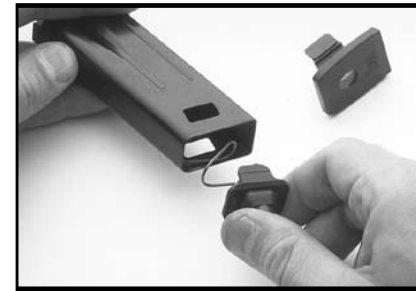


Figure 27



Figure 28  
P2000/USP Compact  
10-round magazine disassembled

4. Gradually allow the locking insert and magazine spring to expand out of the magazine housing (see Figure 27).
5. Remove the locking insert, magazine spring and magazine follower from the magazine housing.

### MAGAZINE ASSEMBLY



Figure 29

1. Place the magazine follower onto the magazine spring with the end of the spring positioned on the left of the follower.
2. Insert the follower and magazine spring into the magazine housing as depicted in Figure 29.
3. Place the locking plate or locking insert on magazines onto the protruding end of the magazine spring so that the rounded corners face toward the front of the magazine.

4. Push the locking plate down into the magazine housing against the pressure of the magazine spring and hold it there.
5. On 10-round magazines, push the floorplate up onto the base of the magazine housing until the locking tabs engage in the sides of the housing.
6. Check to see if the locking tabs on the floorplate are securely locked into the housing and the locking detent on the locking plate fits within the hole in the floorplate.

On all magazines, check the magazine for proper assembly by insuring that the follower slides up and down freely within the magazine housing and with spring tension. Also check that the magazine follower rises within the magazine housing to be nearly flush against the bottom of the magazine feed lips.

## SECTION 7 CLEANING & MAINTENANCE

**NOTE: The service life and performance of your HK P Series pistol is dependent upon the correct handling and proper care by the operator.**

**Materials Required** - At a minimum, we suggest the following materials to properly clean the P Series:

- Cleaning rod with handle and patch holder
- Nylon toothbrush
- Bronze bristle bore brush (in the appropriate caliber)
- Cleaning patches (in the appropriate caliber)
- Lint-free wiping rag
- Cleaning solvent/lubricant
- Cotton swabs

**CAUTION: Use safety goggles when using solvents and exercise care if using compressed air.**

HK Handgun Cleaning Kits, #701956 (9mm & .357SIG), #701957 (.40 S&W), and #701958 (.45ACP) are available from HK for thorough cleaning of HK pistols and other firearms.

**Cleaning Intervals** - Normal and Major are the two types of operator cleaning for the P Series pistol.

**Normal Cleaning** - Performed after each firing or every twelve (12) months.

**Major Cleaning** - Often referred to as "detailed cleaning." Performed after the firing of 500 cartridges or when the pistol is exposed to, or laden throughout, with sand, dust, water (especially salt water) or other visible contaminants or foreign matter.

### Normal Cleaning

**CAUTION: Do not use a stainless steel bore brush which can scratch the polygonal bore and reduce accuracy.**

#### Slide -

- Gently scrub all internal surfaces of the slide using the nylon toothbrush moistened with solvent.
- Remove all loose fouling from all surfaces of the slide using a rag and cotton swabs.

#### Recoil spring assembly -

- Remove all visible fouling using solvent, a nylon toothbrush or a rag and cotton swabs.

#### Barrel (with locking block) -

- Moisten a bronze bore brush with solvent and scrub the bore from chamber to muzzle at least six (6) passes, back and forth.
- Remove the loose fouling from the bore using cleaning patches.
- Gently scrub the exterior of the barrel and locking block with the nylon toothbrush moistened with solvent.
- Remove all loose fouling from the exterior of the barrel using a rag and cotton swabs.

#### Frame -

- Gently scrub all internal surfaces where carbon fouling is present using the nylon toothbrush moistened with solvent. Concentrate on the area normally covered by the slide.
- Using a rag and cotton swabs, remove all loose fouling from all areas of the frame.



### Magazine -

- Gently scrub the top of the magazine, concentrating on the follower and feed lips, using the nylon toothbrush moistened with solvent.
- Using a rag and cotton swabs, remove all loose fouling from all surfaces of the magazine.

**Major Cleaning** - Major Cleaning is the same as normal cleaning except that:

- The magazine is disassembled for cleaning.
- All parts should be rinsed with or immersed in solvent and thoroughly scrubbed with a nylon brush. The parts can then be dried using compressed air or with a rag and cotton swabs.

---

**NOTE: All parts of P Series pistols can be immersed in any cleaning solvent that is safe to put your hands into, including ultrasonic cleaning solution. Use of ultrasonic cleaning machines can result in the unwanted removal of colored reference markings of the frame, extractor and control lever (where applicable). Use of ultrasonic cleaning is normally not necessary or recommended when using standard ammunition in HK pistols with less than 10,000 rounds of service. All components should be thoroughly dried after being immersed in solvents of any kind before reassembly and all of the firearm's critical components should be lubricated in accordance with the applicable operator/maintenance instructions after being thoroughly dried. For special cleaning recommendations under extreme conditions, please contact HK Customer Service.**

---

### INSPECTION

During and after cleaning, visually inspect the pistol and its components for any irregularities that may cause problems or stoppages during operation. Generally, you should keep a watchful eye out for the discrepancies listed below.

#### Always clear the pistol before conducting your inspection!

Check for:

- Damaged or missing parts
- Improper assembly or function
- Absence of free movement, where applicable
- Absence of spring tension, where applicable
- Unaccustomed looseness
- Parts exhibiting signs of cracks, burrs, dents or obvious signs of damage or stress
- Presence of stops or tactile clicks, where applicable
- General overall cleanliness
- Presence of sufficient lubrication
- Presence of corrosion or degradation of surface finish.

---

**CAUTION: HK pistol designs represent an optimization of a combination of safety, speed of deployment, accuracy, dependability, and durability. Do not attempt to make an HK pistol "better" by altering any of its components. Altering any part of the pistol or magazine may cause injury or death and will also void any HK warranty on the product.**

---

### LUBRICATION

Metal surfaces of the P Series pistol are treated with HK's special corrosion and wear-resistant finish. This surface treatment does not completely reduce the friction between moving parts and it is recommended that a lubricant be applied to the pistol to ensure proper functioning. Any type of high-quality, medium-weight lubricant (oil) specifically designed for use on firearms will work well on the P Series. Do not use lubricants that boast of their ability to penetrate metal as these substances may deaden primers.

### Where and How Much -

**No Lube** - Surface is dry and not slippery to the touch.

- All plastic and rubber components

**Light Lube** - A finger run across the surface yields little or no lube.

- Bore, chamber and exterior of barrel
- All metal parts
- All internal parts in slide and frame
- Magazine spring
- Recoil spring assembly
- Sights
- P Series pistol metal magazine housing, where applicable

**Medium Lube** - A finger run across the surface yields some lube, but lube does not run down surface when it is held in a vertical position.

- Barrel locking block
- Slide rails and grooves
- All operating controls
- Locking insert and guiding part in frame
- Extractor

**Heavy Lube** - Lubrication runs down the surface when it is held in a vertical position.

**No heavy lube is required on the HK P Series pistols.**

Re-apply lubricant periodically during firing as it burns off from the heat. Apply lubricant using a clean shaving brush, cotton swabs, patches or rag. A spray bottle of lubricant also works well when using compressed air to circulate the lubricant into all parts and to remove the excess from the pistol.

### TROUBLESHOOTING PROBLEMS AND REPAIR

Common causes of problems that are often overlooked include:

- Fouled or improperly lubricated pistol
- Bad ammunition
- Damaged magazines
- Operator error

If your P Series pistol still fails to function, please contact HK Customer Service at 706-568-1906 for the name and address of your nearest HK Authorized Repair Facility. Law enforcement users, contact your unit armorer or HK Customer Service.

---

**NOTE: If after reviewing this manual you still have questions, please contact HK Customer Service at 706-568-1906 or by email: [cs@heckler-koch-us.com](mailto:cs@heckler-koch-us.com).**

---

### HK WARRANTY REGISTRATION

New HK firearms are covered by Heckler & Koch's Limited Lifetime Warranty. Warranty registration is now on-line. To register your new HK firearm go to:

<http://hk-usa.com/warranty/register.html>

If you don't have access to the internet, call HK Customer Service at 706-568-1906 to obtain a warranty card.

## LOCK-OUT DEVICE

P Series pistols are equipped with a patented HK Lock-Out™ device. This component replaces the lanyard loop insert in the frame and when engaged, locks the handgun's action by blocking any movement of the trigger, the hammer and the slide. The handgun is locked and cannot fire until unlocked. The Lock-Out control plate is accessible through the pistol's magazine well (see Figure 30).



Figure 30  
Turning the key clockwise 1/4 turn locks the action, turning it counter-clockwise unlocks the action.

Clear the pistol and dry fire it prior to activating the Lock-Out device. Use the two pronged key supplied with the pistol to lock or unlock the pistol as desired. When the holes on the Lock-Out device are horizontally positioned, the pistol is locked and cannot be fired (see Figure 31).



Figure 31  
Locked position



Figure 32  
Unlocked/fire position

When the holes on the Lock-Out device are vertically positioned, the pistol is unlocked and can be fired (see Figure 32).

**WARNING: The HK Lock-Out device is not a substitute for safe gun handling practices. Never point the muzzle of the pistol in an unsafe direction (at yourself or others). When the Lock-Out device is placed in the locked position, the slide is locked in the closed position and cannot be moved! Forcing the slide rearward while the gun is in this locked position will damage the pistol.**

For more information contact HK Customer Service.

## P SERIES ACCESSORIES

The addition of industry standard mounting rails to P Series models (including a full Picatinny rail on the P30 and P30L), allows the widest variety of lights, laser aimers and accessories to be added by simply sliding them onto the open rail system.



Figure 33  
Light mounted on P2000

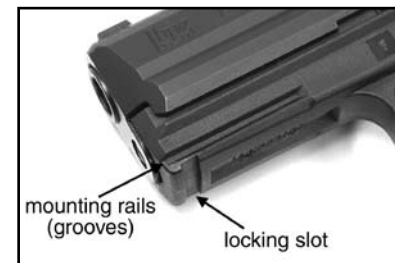


Figure 34  
Detail of P2000 mounting rails

Follow the instructions of the manufacturer for installing, operating and removing accessories from the mounting rails. Always ensure the P Series is "clear" and unloaded before installing or removing accessories. Slide the accessory onto the rails until it locks into the locking slot located on the bottom of frame.



Figure 35  
Slide the accessory onto the rails

**CAUTION: Improperly designed or installed accessories may result in damage to the mounting grooves and/or the pistol. Such damage is not covered under warranty. Be certain to use only HK approved accessories and follow installation and precautions carefully.**

For a complete list of accessories that fit the P30/ P30L/P30S and P2000/P2000SK Series, contact HK Customer Service.

## SECTION 8 PARTS LIST P2000 (.40 S&W, 9 MM, .357 SIG)

Item	Description	Identification No.
1	Barrel .40 S&W	207164
	Barrel 9mm x 19	218550
	Barrel .357 SIG	202685
*	Recoil spring assembly complete .40 S&W (Items 2-5)	207188
*	Recoil spring assembly complete 9mm (Items 2-5)	209258
*	Recoil spring assembly complete .357 SIG (Items 2-5)	207188
2	Recoil spring guide rod	209307
3	Absorber bushing	215932
4	Recoil spring .40 S&W	215830
	Recoil spring 9mm	215852
	Recoil spring .357 SIG	215830
5	Recoil spring retainer	215831
*	Slide (complete) .40 S&W	207225
*	Slide (complete) .9mm	207312
*	Slide (complete) .357 SIG	202686
6	Slide .40 S&W	207165
	Slide 9mm	207280
	Slide .357 SIG	202687
7	Front sight (5.7)	209285
	Front sight (5.9)	209286
	Front sight (6.1)	209287
	Front sight (6.3) standard	209288
	Front sight (6.5)	209289
	Front sight (6.7)	209290
	Front sight (6.9)	209291
8	Rear sight	209284
9	Rubber plug, extractor	209294
10	Extractor spring	218315
11	Extractor	218314
12	Roll pin for extractor ISO 3x14	980838
13	Firing Pin Spring	215822
14	Firing pin	209295
15	Firing pin block spring	209962
16	Firing pin block	209313
17	Frame incomplete (.40, 9mm, .357)	207198
18	Trigger axle	214154
19	Trigger	209263
20	Trigger rebound spring	219441
21	Flat spring	219167
22	Trigger bar detent spring	209270
23	Trigger bar detent	209269
24	Trigger bar	207331
25	Magazine disconnect axle	207193
26	Magazine disconnect lever	207167
27	Magazine disconnect spring	207194
28	Hammer axle	209272
29	Sear	209320
*	Decocker for V3	209261
30	Catch	209273
31	Sear actuator latch	209274
32	Sear axle	214101
33	Disconnecter	209271
34	Hammer	209321
35	Cocking piece	209265
36	Cocking piece spring	209275

Item	Description	Identification No.
37	Hammer strut	209312
38	Hammer spring	214695
39	Grip panel with HK Lock-Out device, complete Size M	207192
*	Grip Panel with HK Lock-Out device Size S	207281
*	Grip Panel with HK Lock-Out device Size L	207283
*	Grip panel with HK Lock-Out device Size XL	207285
40	Roll pin for grip panel (ISO 3x20)	985014
41	Magazine release spring	215929
42	Magazine release	214818
43	Shaped spring	214171
44	Slide release (left side)	209267
45	Slide release (right side)	209268
46	Magazine housing (.40 cal., 10-rd)	215833
*	Magazine housing (9mm, 10-rd.)	215848
47	Follower (.40 caliber, 9mm)	215836
48	Magazine spring (.40, 9mm, 10-rd.)	214850
49	Locking plate (9mm 10-rd.)	215850
	Locking plate (.40 S&W)	215835
50	Extended floorplate (9mm, 10-rd.)	215983
*	Extended floorplate (.40 cal. 10-rd.)	215978
*	Flat Floorplate (9mm, 10-rd.)	215849
*	Flat Floorplate (.40 cal., 10-rd.)	215834
51	Magazine housing (9mm, 13-rd.)	215846
*	Magazine housing (.40 cal., 12-rd)	215661
*	Magazine housing (.357, 13-rd)	217816
52	Magazine spring (9mm 13-rd., 357 12-rd.)	214212
	Magazine spring (.40 12-rd.)	218587
53	Locking plate (9mm & .357 13-rd., .40 S&W 12-rd)	215844
54	Extended floorplate (9mm, 13-rd.)	215980
	Extended floorplate (.40 cal. 12-rd.)	215663
	Extended floorplate (.357 13-rd.)	201184
*	Floor plate (9mm, 13-rd.)	215843
*	Flat Floor plate (.40 cal., 12-rd.)	215662
55	Magazine complete (13-rd, 9mm, with extended floorplate)	215981
	Magazine complete (12-rd, 40, with extended floorplate)	217439
	Magazine complete (13-rd., 357, with extended floorplate)*	217818
*	Magazine complete (10-rd, 40 cal.)	215832
*	Magazine complete (10-rd, 40 cal., with extended floorplate)*	215977
*	Magazine complete (12-rd, 40 cal.)	217438
*	Magazine complete (12-rd, 40 cal., with extended floorplate)*	217439
*	Magazine complete (10-rd, 9mm)	215847
*	Magazine complete (10-rd, 9mm, with extended floorplate)*	215982
*	Magazine complete (13-rd, 9mm)	215845

\* Items not pictured in exploded view on opposite page

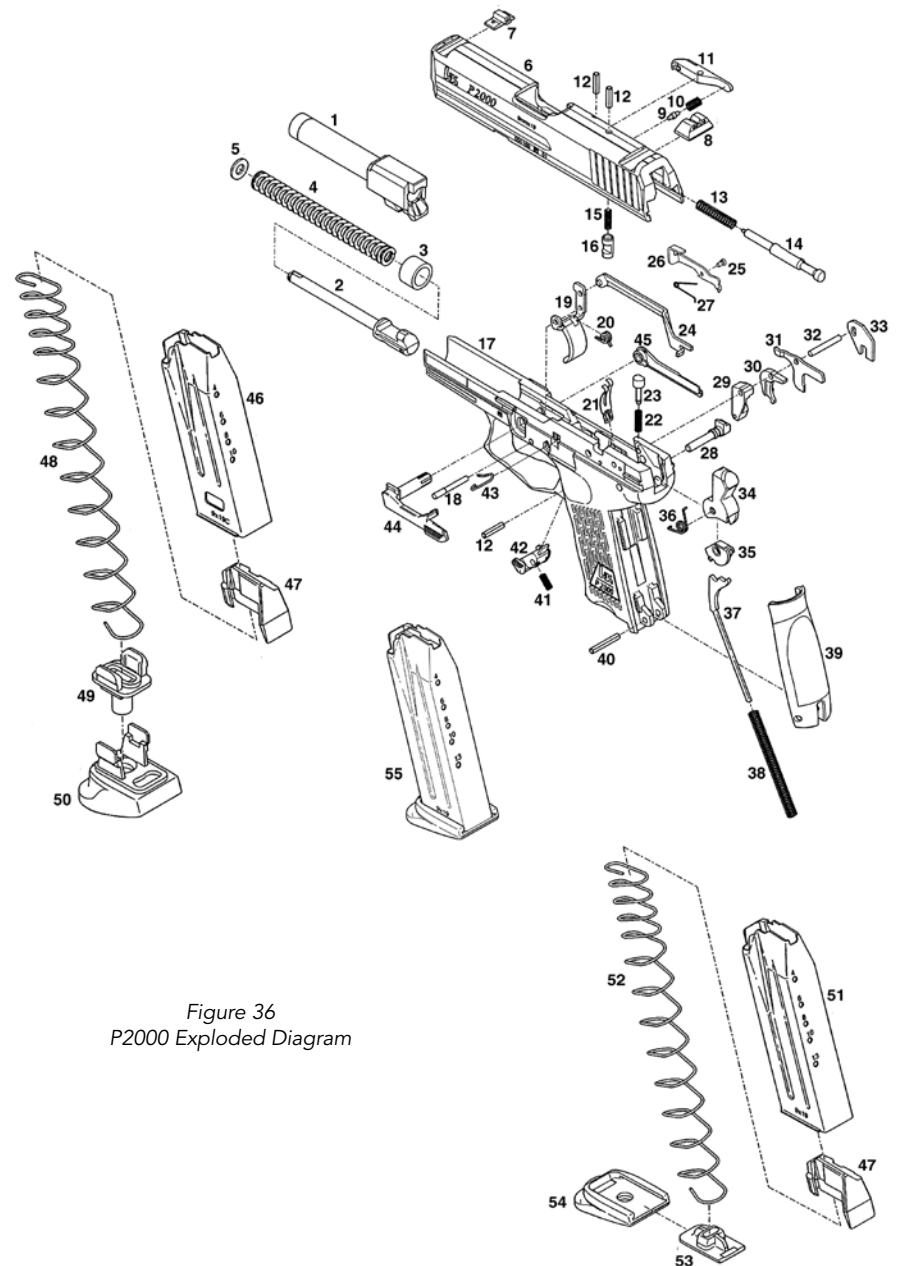


Figure 36  
P2000 Exploded Diagram

**PARTS LIST P2000SK SUBCOMPACT (9 MM, .40 S&W, .357 SIG)**

Item	Description	Identification No.	Item	Description	Identification No.
1	Barrel (9mm x19)	207120	26	Sear axle	214101
	Barrel (.40 S&W)	207319	27	Disconnecter	209271
	Barrel (.357 SIG)	202688	28	Hammer	209321
2	Recoil spring assembly, complete	207119	29	Cocking piece	209265
*	Slide, complete (9mm x19)	207221	30	Cocking piece spring	209275
	Slide, complete (.40 S&W)	207321	31	Hammer strut	207121
	Slide, complete (.357 SIG)	202689	32	Hammer spring	207122
3	Slide (9mm x19)	207124	33	Backstrap M (Medium)	207222
	Slide (.40 S&W)	207322	*	Backstrap L (Large)	202604
	Slide (.357 SIG)	202690	34	Roll pin for backstrap	984023
4	Front sight (5.7)	209285	35	Magazine release spring	215929
	Front sight (5.9)	209286	36	Magazine release	214818
	Front sight (6.1)	209287	37	Shaped spring for slide release	214171
	Front sight (6.3)	209288	38	Slide release	209267
	Front sight (6.5)	209289	39	Slide release, right	209268
	Front sight (6.7)	209290	*	Magazine, complete (9mm)	207161
	Front sight (6.9)	209291	*	Magazine, complete (.40 S&W)	207323
5	Rear sight	209284	*	Magazine, complete (.357 SIG)	contact HK
6	Rubber plug, extractor	209294	40	Magazine housing (9mm, .357 SIG)	207162
7	Extractor spring	218315		Magazine housing (.40 S&W)	207214
8	Extractor	218314	41	Follower (9mm, .40 S&W, .357 SIG)	215836
9	Roll pin for extractor	980838	42	Magazine spring (9mm, .40 S&W, .357 SIG)	207218
	Roll pin for firing pin	980838	43	Locking plate (9mm, .357 SIG)	202693
10	Firing pin spring	215822		Locking plate (.40 S&W)	215844
11	Firing pin	209295	44	Floorplate (9mm, .40 S&W, .357 SIG)	207216
12	Firing pin block spring	209962			
13	Firing pin block	209313			
*	Frame, complete	207318			
14	Frame	207200			
15	Trigger axle	214154			
16	Trigger	209263			
17	Trigger rebound spring	219441			
18	Flat spring	214167			
19	Trigger bar detent spring	209270			
20	Trigger bar detent	209269			
21	Trigger bar	207331			
22	Hammer axle	209272			
23	Sear	209320			
•	Decocker for V3	209261			
24	Catch	209273			
25	Sear actuator latch	209274			

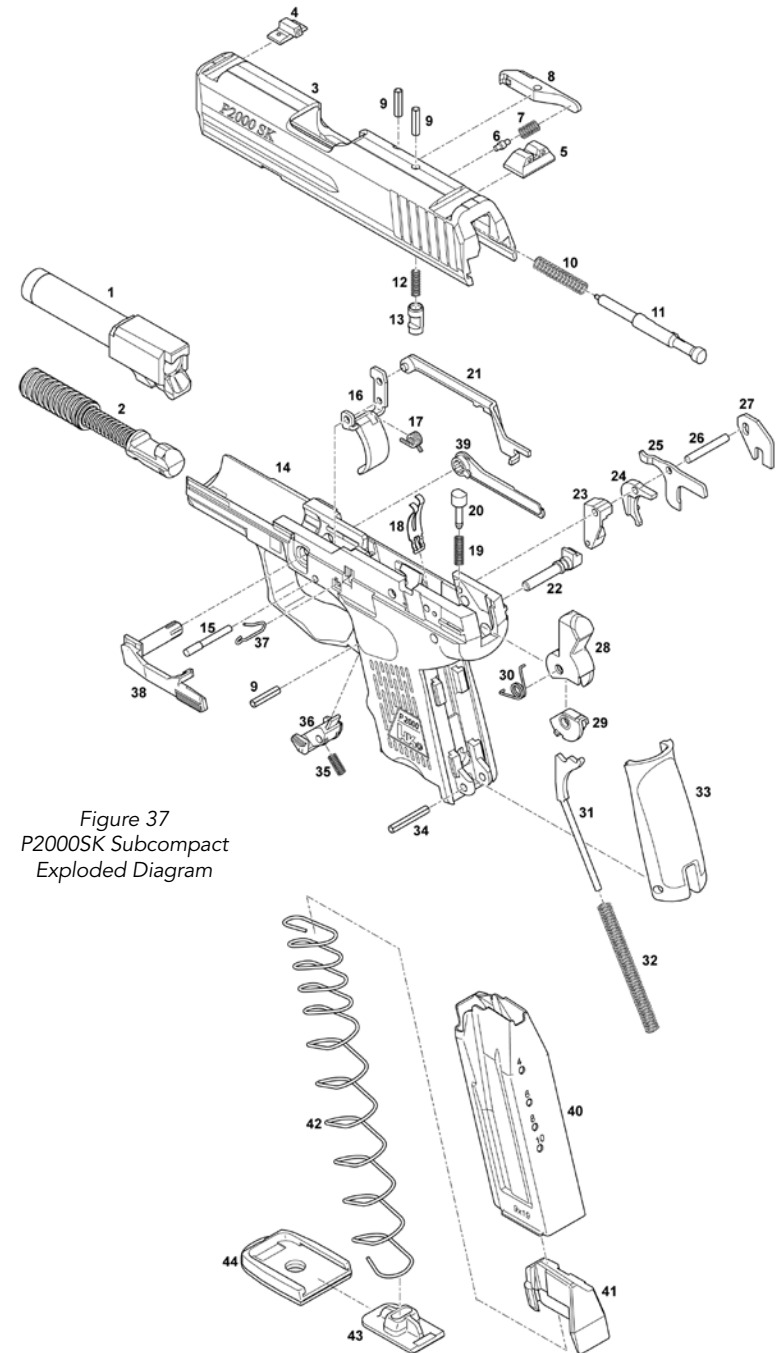


Figure 37  
P2000SK Subcompact  
Exploded Diagram

## PARTS LIST P30 SERIES

Item	Description	Identification No.	Item	Description	Identification No.
—	Barrel, complete (Items 1-5)		47	Compression spring for recoil	
1	Barrel	234 308	—	spring guide rod	234 774
—	Recoil spring, compl. (Items 2-5)	234 319	—	Magazine, compl. (Items 48-52)	234 316
2	Recoil spring guide rod	234 310	48	Magazine housing	234 318
3	Stop sleeve	215 932	49	Follower	215 836
4	Recoil spring	215 852	50	Magazine spring	215 118
5	Recoil spring stop disc	215 831	51	Locking plate	215 844
—	Slide, compl. (Items 6 - 16)	234 393	52	Magazine floor plate	234 298
6	Slide	234 309			
7	Front sight, height 5.9 mm	227 711			
7.1	Front sight, height 6.1 mm	234 327			
7.2	Front sight, height 6.3 mm	234 328			
7.3	Front sight, height 6.5 mm (standard)	234 329			
7.4	Front sight, height 6.7 mm	234 386			
7.5	Front sight, height 6.9 mm	234 387			
8	Rear sight	234 323			
9	Extractor bolt	209 294			
10	Extractor spring	218 315			
11	Extractor	218 314			
11.1	Extractor for loaded chamber indicator	234 326			
11.2	Loaded chamber indicator	234 324			
11.3	Compression spring for loaded chamber indicator	234 325			
12	Roll pin (3x)	988 891			
13	Firing pin spring	215 822			
14	Firing pin	234 654			
15	Compression spring for drop safety catch	209 962			
16	Drop safety catch (firing pin safety)	209 313			
—	Frame, complete (Items 17-47)	234 651			
17	Frame	234 388			
18	Trigger axle	214 154			
19	Trigger	234 297			
20	Elbow spring for hammer	234 389			
21	Leaf spring for catches	214 167			
22	Trigger bar detent spring	209 270			
23	Trigger bar detent	209 269			
24	Trigger bar	207 331			
25	Hammer axle	209 272			
26	Release catch and decocking lever	209 261			
27	Hammer catch	209 273			
28	Control lever	234 487			
29	Cylindrical pin	234 758			
30	Disconnecter	209 271			
31	Hammer with spur	209 262			
32	Cocking piece	209 265			
33	Elbow spring for hammer	209 275			
34	Hammer spring rod	209 312			
35	Hammer spring	214 695			
36	Bearing for hammer spring	234 295			
37	Cylindrical pin	970 074			
38	Grip shell (left) (M)	234 303			
39	Grip shell (right) (M)	234 304			
40	Back strap (M)	234 302			
—	Grip shell (left) (S)	234 300			
—	Grip shell (right) (S)	234 301			
—	Back strap (S)	234 299			
—	Grip shell (left) (L)	234 306			
—	Grip shell (right) (L)	234 307			
—	Back strap (L)	234 305			
41	Roll pin	978 170			
42	Compression spring for magazine release	215 929			
43	Magazine release	234 296			
44	Form spring for slide release	214 171			
45	Slide release (left)	202 805			
46	Slide release (right)	202 806			
47	Compression spring for recoil	234 774			
—	spring guide rod	234 774			
—	Magazine, compl. (Items 48-52)	234 316			
48	Magazine housing	234 318			
49	Follower	215 836			
50	Magazine spring	215 118			
51	Locking plate	215 844			
52	Magazine floor plate	234 298			

### Parts list - P30 V2

(as far as different from P30)

—	Frame, complete (Items 17 - 47)	234 403
17	Frame	234 294
20	Elbow spring for hammer	234 405
26.1	Release catch	209 320
28	Control lever	209 274
31.1	Hammer without spur	209 321

### Parts list - P30 V3 (SA/DA)

(as far as different from P30)

—	Frame, complete (Items 17 - 47)	234 401
17	Frame	234 294
26.1	Release catch	209 320
28	Control lever	209 274
31.1	Hammer without spur	209 321

### Parts List - P30L

(as far as different from P30)

1	Barrel	227 713
—	Recoil spring, compl. (Items 2 - 5)	227 845
2	Recoil spring	227 714
3	Stop sleeve	227 719
—	Slide, compl. (Items 6 - 16)	227 848
6	Slide	227 712
—	Frame, complete (Items 17 - 46)	229 760
17	Frame	227 858

### Parts List - P30L V2

(as far as different from P30)

1	Barrel	227 713
—	Recoil spring, compl. (Items 2 - 5)	227 845
2	Recoil spring	227 714
3	Stop sleeve	227 719
—	Slide, compl. (Items 6 - 16)	227 848
6	Slide	227 712
—	Frame, complete (Items 17 - 46)	229 761
17	Frame	227 546
20	Elbow spring for hammer	234 405
26.1	Release catch	209 320
28	Control lever	209 274
31.1	Hammer without spur	209 321

### Parts list - P30L V3 (SA/DA)

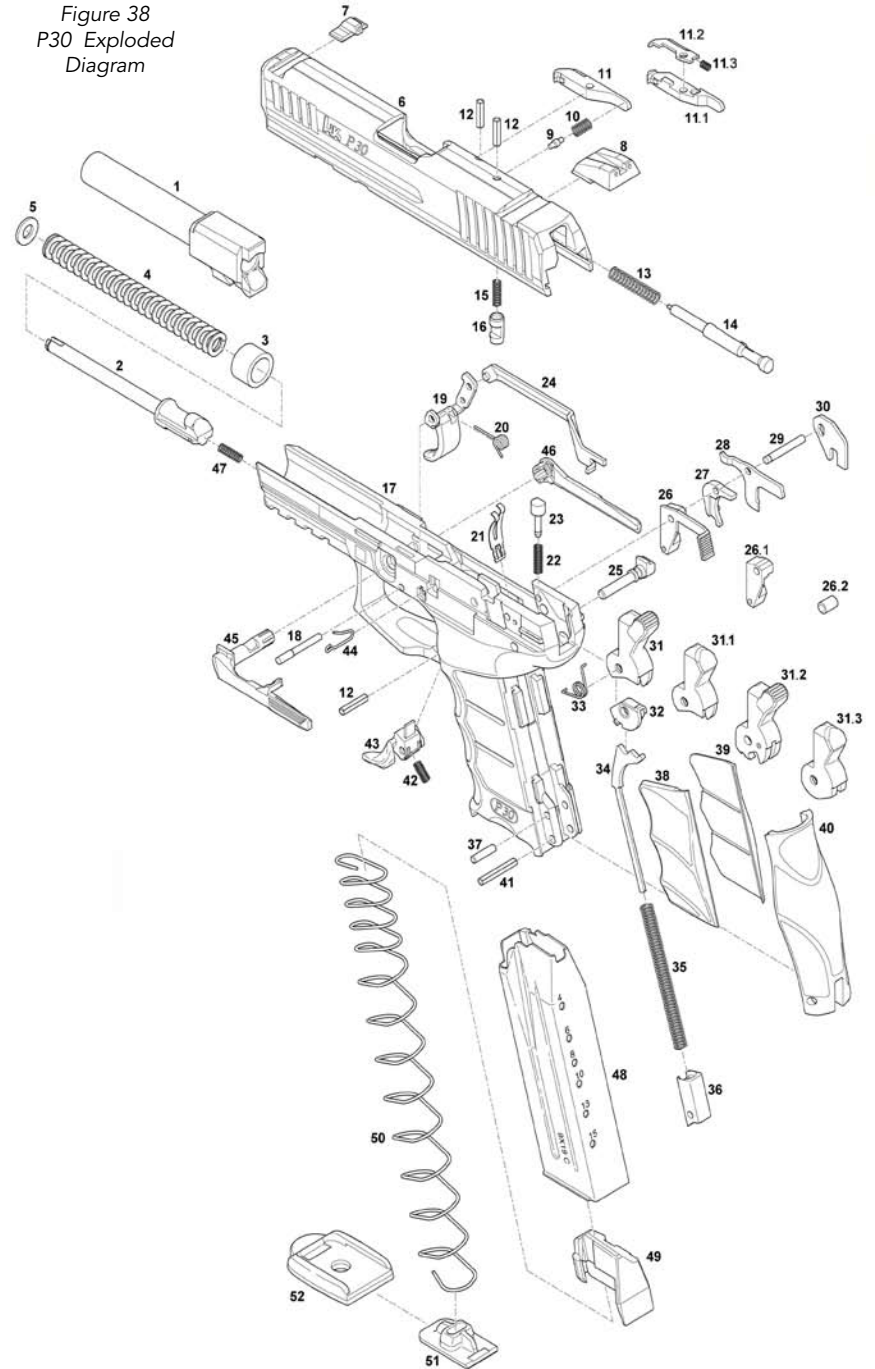
(as far as different from P30)

1	Barrel 2	27 713
—	Recoil spring, compl. (Items 2 - 5)	227 845
2	Recoil spring	227 714
3	Stop sleeve	227 719
—	Slide, compl. (Items 6 - 16)	227 848
6	Slide	227 712
—	Frame, complete (Items 17 - 46)	227 857
17	Frame	227 858
31.2	Hammer with spur	209 327
35	Hammer spring	214 300

### Parts list - applicable P30 series V1 (light LEM)

20	Elbow spring for hammer	234 389
----	-------------------------	---------

Figure 38  
P30 Exploded  
Diagram







**HECKLER & KOCH**

---

**HECKLER & KOCH**  
5675 Transport Boulevard  
Columbus, Georgia 31907  
United States of America  
Tel: (706) 568-1906  
Fax: (706) 568-9151  
USA Website: [www.hk-usa.com](http://www.hk-usa.com)

**HECKLER & KOCH**  
D-78722 Oberndorf/Neckar  
Postfach 1329  
Germany  
Tel: 011-49-7423/79-0  
Fax: 011-49-7423/2280  
Global Website: [www.heckler-koch.com](http://www.heckler-koch.com)