



## Owner's Manual for Copolla T4 Semi Auto Shotgun

READ THE INSTRUCTIONS AND WARNINGS IN THIS MANUAL  
BEFORE USING THIS FIREARM!!!

---

## STATEMENT OF LIABILITY

This shotgun is classified as a firearm or dangerous weapon. It is expressly understood that we assume no liability for its resale or unsafe handling under local laws and regulations. Toros Arms assumes no responsibility for physical injury or property damage resulting from either intentional or accidental discharge, or for the function of the firearm subjected to influence beyond their control. Toros Arms will honor no claims which may result from careless handling, unauthorized adjustments, defective or improper ammunition, corrosion or neglect. Examine your firearm carefully at the time of purchase. It should be forwarded immediately to the factory or its sales agent if any adjustment of any kind is required.

**IMPORTANT WARNING: INFORMATION AND SPECIFICATION  
CONTAINED IN THIS MANUAL MAY CHANGE WITHOUT  
NOTIFICATION!!!**

---

## WARNINGS

- \* Toros Arms is not responsible for damage to objects caused by misuse of the firearm or for injuries to persons or animals, or in case of death, caused voluntarily or involuntarily by the firearm user.
- \* Toros Arms is not responsible for injuries caused by poor maintenance, misuse of the firearm, unauthorized or improper modifications.
- \* Toros Arms declines responsibility for the indirect consequences of any injuries and/or death of persons or animals, damage to objects caused by use of the firearm or by primer explosion, by bullet's ricochet, or unsafe loading practices and/or procedure.
- \* Read the entire manual and learn the proper use of the firearm without live ammunition. It is important that you understand the proper use of this product. The life of the people close to you may depend on your safe behavior.
- \* If the manual is not clear, please contact the dealer where you bought the firearm or call the distributor or the manufacturer by using the contact information provided within this manual.
- \* The manufacturer declines any responsibility for misuse of the firearm. In case of alteration of the firearm, The manufacturer declines any civil and penal responsibility and will not refund any damage.

**Quality Inspection:** Every firearm is thoroughly inspected by the manufacturer, for function and cosmetic blemish, prior to shipment.

---

## SAFETY PRECAUTIONS

1. Read the instructions carefully before use. Reading the manual and careful examination of the firearm are fundamental to avoid any kind of problem.
2. Be aware that you are handling a firearm; therefore your knowledge and behavior may affect your life and those of the people close to you.
3. Firearms and ammunitions must be kept in separate places.
4. Always keep firearm and ammunitions out of reach of children.
5. Store the firearm in a clean, dry and airy place after use to avoid rust in mechanical parts that may cause serious problems in functioning after a period of inactivity.
6. The firearm must always be stored unloaded, always check that the chamber is empty.
7. Keep away from open flames or heating sources.
8. Never leave a loaded firearm unattended.
9. Never leave the firearm loaded, it could fall and cause injury and death. Always point the firearm in a safe direction, and handle it as though it were loaded. This is especially important when loading and unloading the firearm and when handing it to someone else. Never take someone's word that it is unloaded. Always make sure the firearm is unloaded before laying it down or handing it to someone else.
10. After use, clean and lubricate the inside of the barrel with appropriate oil. Grease or oil build up can cause excessive pressure and result in serious personal injuries. Before using the firearm again, inspect the barrel and chamber to make certain that there are no obstructions in the bore. Remove any oil residue with rod and dry patch before shooting.

---

## SAFETY PRECAUTIONS

11. Accumulation of rust in the barrel can cause excessive pressures resulting in serious injury and may cause the explosion of the barrel. A rusted, pitted or eroded barrel should be replaced.
12. Before shooting always check to ensure that the barrel is free of obstructions.
13. Never force a jammed action, this act could cause explosion of the round and consequent injury.
14. Use factory loaded ammunition of the caliber specified on the firearm barrel. Use of different calibers may cause serious personal injuries to you and to people close to you.
15. In case of misfire, manually extract the cartridge from the chamber. If firearm fails to fire when trigger is pulled, as a result of slow primer ignition (hang fire), keep muzzle pointed downrange for a minimum of 30 seconds. If the round does not fire, remove the magazine, clear the firearm and examine the ejected, unfired cartridge. If the indent from the firing pin is off center, light or absent, take the gun to a competent gunsmith. If the indent appears normal compared to other rounds, assume a faulty round, separate from other cartridges, reload and continue shooting.
16. Do not attempt to re-use unexploded ammunitions.
17. Never modify any parts of your firearm. Any alteration may cause serious personal injury and voids the warranty.
18. Only a qualified gunsmith may service the firearm for repair or serious maintenance.
19. Pay great attention during transportation and use. Mechanical safety devices can fail. Developing intelligent, good safety habits is the best way to prevent accidents.
20. Never rest your finger on the trigger until the very moment you wish to shoot. Always keep the safety on until you are ready to safely shoot at an intended target. Note: Safety devices on firearms are extras and are not a substitute for your proper and safe handling practices.

---

## SAFETY PRECAUTIONS

21. Always keep the firearm unloaded when transporting it from home to the shooting areas. Carefully check that cartridge chamber is empty.
22. When you walk around with the firearm in a shooting area, always keep the muzzle pointed in a safe direction.
23. Never run with a loaded firearm, do not cross any obstacle (fences or water courses, etc.) or walk where there is any possibility of slipping or falling without having your firearm unloaded and in safety position.
24. When selecting a place to shoot, always be absolutely sure of your target and the area behind it before you touch the trigger, making sure there is an adequate backstop which will stop and contain bullets. A bullet can travel through or past your target with a range up to 1.5 miles. If you have any doubt, do not shoot.
25. Never shoot against a solid surface or in a pool of water, the projectiles could ricochet and shoot toward any direction. Do not shoot up into the sky.
26. Keep all bystanders behind you, standing beside a shooter is not a safe position. Make sure all other shooters and bystanders are well away from the ejection port.
27. Do not smoke while handling, loading or shooting any ammunition, especially black powder. Keep black powder in a closed container at all times, re-closing the container after each and every use.
28. Never drink alcoholic beverages or take any drugs before or during shooting, as this not only constitutes criminal disregard for your safety and that of others, but will seriously impair your judgment and vision. Never use a firearm while you are taking medication unless you have checked with your doctor to ensure you are fit to handle the firearm safely.

---

## SAFETY PRECAUTIONS

29. Always wear and encourage others near you to wear proper ear protection when shooting, especially on a range since the noise from your firearm and other firearms close to you, could result in permanent hearing loss.
30. Always wear protective shooting glasses to protect your eyes from injury by gun powder, gas, lubricant, dirt or metallic particles, carbon residue, sparks or other debris.
31. Wash hands thoroughly after shooting and handling firearms to remove any unwanted residues.
32. Never leave the loaded firearm or the loaded magazine in the sun.
33. By replica firearms there is no modern safety. In this case you must pay even more attention to safety rules.

**Remember: No mechanical safety device is infallible. The user is responsible for injuries or damages caused to him or to other persons. Complete knowledge of your firearm can make the difference.**

---

## IDENTIFYING MARKINGS

Every firearm has a serial number that is marked on the receiver/frame. Close to the serial number you will also find the manufacturer's information with the model name and caliber marked either on the frame or the barrel as required by law. The serial number is located on various parts of the shotgun. Each serial number is specific to that shotgun and is used for identification and registration. It is recommended that you record your serial number in your manual and keep the information in a secured location.

**These markings must not be removed from the firearm for any reason.**

## SAFETY SWITCH OR BUTTON

The safety is designed to stop the trigger mechanism. Do not rely on your gun's safety. Treat every gun as if it were loaded and ready to fire. The safety on any gun is a mechanical device, and it is not intended as a substitute for common sense or safe gun handling. Always keep the muzzle pointed in a safe direction.



---

## CONGRATULATIONS!!!

You are now the owner of the TORORS ARMS shotgun. Your shotgun has an innovative design and is manufactured from high quality materials. With regularly performed maintenance and the use of proper ammunition it will provide you with many years of service.

In order to achieve the best performance and reliability from your shotgun, please read and fully understand all of the instructions, safety guidelines, and warnings carefully in this manual. Your quality shotgun is enormously reliable and safe unless it is handled in a careless or irresponsible manner. **REMEMBER.... IT IS IMPERATIVE THAT THE FIREARM HANDLER BE FULLY EDUCATED AND CONSCIOUS OF THE IMPORTANCE OF EXECUTING PROPER GUN SAFETY RULES WHEN OPERATING ANY FIREARM.**

Before using or firing with any live ammunition you should know and fully understand your shotgun's parts, function, and operating mechanisms. So carefully read and fully understand all of the information about the parts and procedures of using the shotgun safely and effectively.

---

## SHOTGUN DISASSEMBLY INSTRUCTIONS

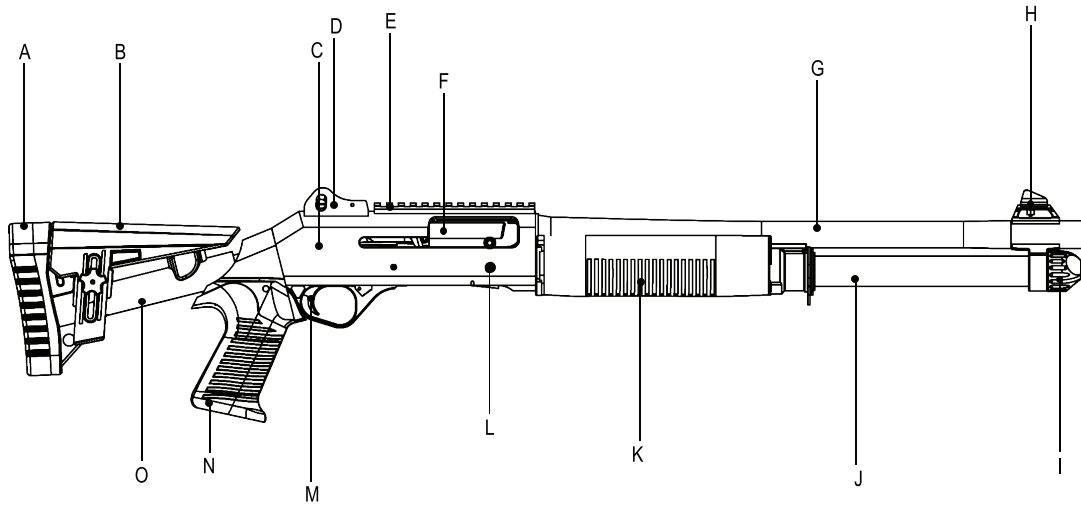
### **ABOUT THE GUN:**

The gas created from firing a live shotshell operates the action. Once the first shell has been fired, the next shell in the magazine will automatically cycle into the chamber, and this cycle will continue (each time the trigger is pulled) until all shells loaded in the magazine have been fired. The bolt will remain locked in the open position after the last shell is fired.

The technologically advanced gas metering system allows you to shoot 2 3/4 " and 3" shells interchangeably with any ammunition of the proper gauge for your shotgun with a flawless performance. This and other fine features ensure that your shotgun will be a source of pride and pleasure for years to come.

**IMPORTANT WARNING:** MANUFACTURERS WARNING: THIS MANUFACTURED FIREARM WAS DESIGNED TO PERFORM WITH ITS ORIGINAL PARTS. IT IS YOUR RESPONSIBILITY TO MAKE SURE THAT ANY PARTS YOU BUY ARE AUTHENTIC AND CORRECTLY INSTALLED AND THAT THE PARTS HAVE NOT BEEN ALTERED OR CHANGED. IT IS IMPERATIVE THAT ONLY FACTORY PARTS BE USED AS REPLACEMENTS TO ASSURE THAT THE FIREARM REMAINS FUNCTIONALLY SAFE AND OPERATES ACCURATELY. THE GUN OWNER ACCEPTS FULL RESPONSIBILITY FOR THE CORRECT REASSEMBLY AND FUNCTIONING OF THE FIREARM AFTER ANY DISASSEMBLY OR REPLACEMENT OF PARTS.

## DIAGRAM VIEW



A-)Recoil Pad  
B-)Stock Cover  
C-)Receiver  
D-)Rear Sight Base  
E-)Accessory Mounting Rail  
F-)Bolt

G-)Barrel  
H-)Front Sight  
I-) Forend Cap  
J-) Magazine Tube  
K-)Forend  
L-) Release

M-)Trigger  
N-)Grip  
O-)Recoil Spring Tube

## SHOTGUN DISASSEMBLY INSTRUCTIONS



1) Unscrew the fore-end cap



2) Slide The fore-end off the magazine tube



3) Move back the mechanism and ensure that cocking lever comes to the middle of the mechanism bearing; then, pull out and remove the cocking lever. During this operation, hold the cocking-bar so that the spring doesn't push it forward



4) Take out the trigger group anchor pin.

## SHOTGUN DISASSEMBLY INSTRUCTIONS



5) Pull the trigger group and detach from the receiver



6) After you remove the Trigger Group, the bolt assembly and action bar sleeve can be removed from the shotgun

## LOADING THE SHOTGUN

- 1- First, point the shotgun in a safe direction. Remember, a safe direction means that the gun is pointed so that even if it were to go off, it would not cause injury, damage, or death. Always perform a safety check to make sure that the chamber is empty.
- 2- When the magazine is empty, the bolt catch lever holds the bolt open at the rear. Press the magazine release to remove the empty magazine and insert a loaded magazine. Remember to only use ammunition that is recommended by the manufacturer
- 3- Push down the bolt catch lever with the thumb of the shooting hand and this will allow the bolt to move forward and chamber a round.

---

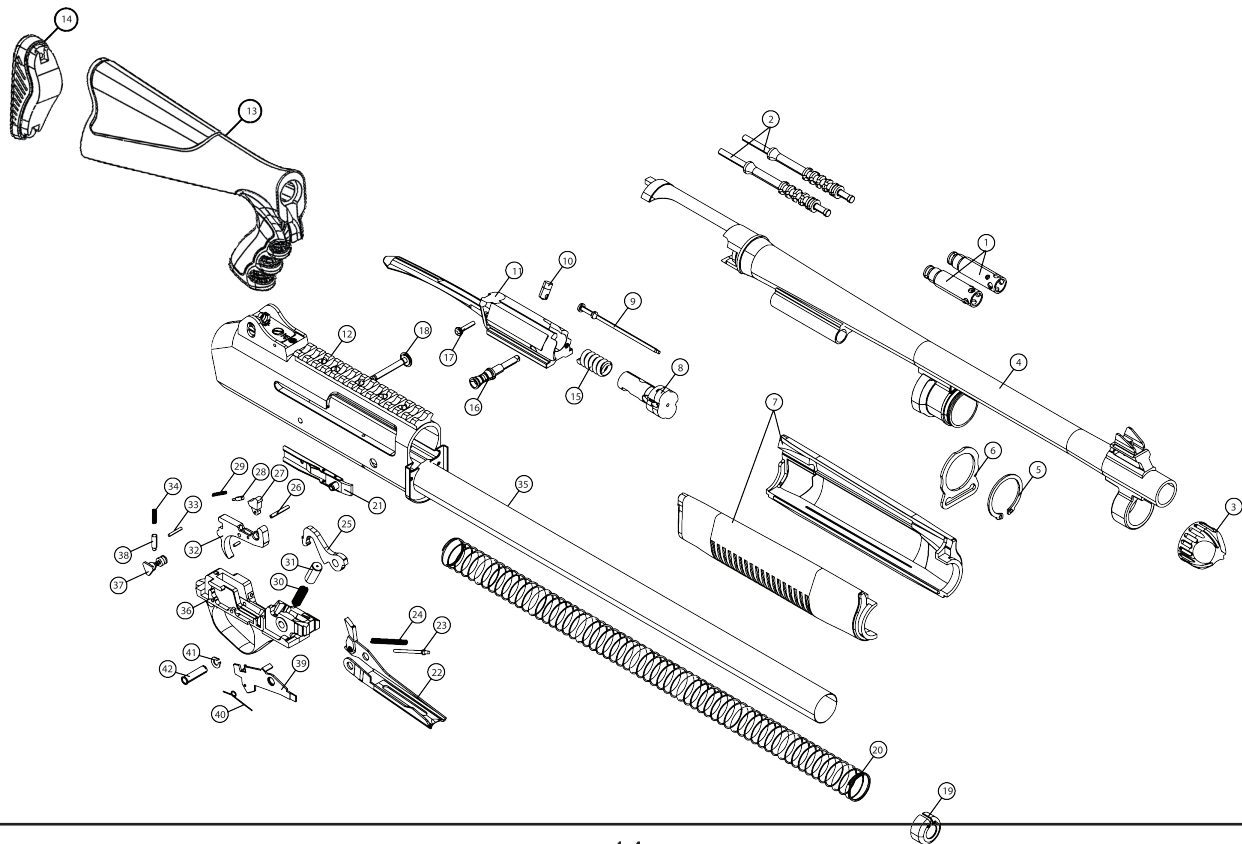
**THE SHOTGUN IS NOW LOADED AND READY TO FIRE!!!**

**IMPORTANT WARNING:** Always unload your firearm immediately after shooting.

### UNLOADING THE SHOTGUN

- 1-) Point the shotgun in a safe direction. Remember, a safe direction means that the gun is pointed so that even if it were to go off, it would not cause injury, damage, or death.
- 2-) Keep your fingers off the trigger and remove the magazine
- 3-) Pull back the charging handle one or more times to insure the chamber is empty. Watch for a live round or empty case to be ejected. Pull the charging handle fully rearward and lock the bolt with the bolt catch lever.
- 4-) Make sure the last round in the chamber has been extracted and ejected. Visually and physically check the chamber and the magazine well to make sure the shotgun has been fully unloaded. Perform a safety check by physically inserting your index finger in the chamber to feel for the presence of a round or cartridge case in the chamber.

# EXPLODED VIEW

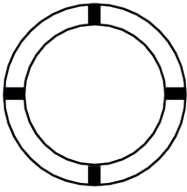
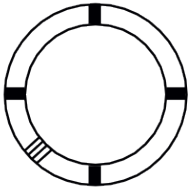
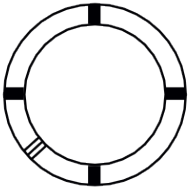
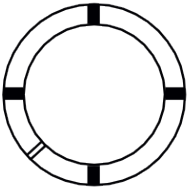
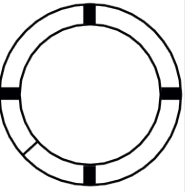


## PART LIST

1 - Gas Plug	15 - Firing Pin Spring	29 - Disconnecter Spring
2 - Gas Piston	16 - Bolt Handle	30 - Hammer Spring
3 - Forend Cap	17 - Firing Pin Retaining Pin	31 - Hammer Spring Cap
4 - Barrel	18 - Trigger Guard Pin	32 - Trigger
5 - Sling Plate Retainer	19 - Magazine Spring Seal Ring	33 - Safety Plunger Retaining Pin
6 - Sling Attachment Plate	20 - Magazine Spring	34 - Safety Plunger Spring
7 - Forend	21 - Shell Stop	35 - Magazine Tube
8 - Bolt Head Assembly	22 - Carrier	36 - Trigger Group
9 - Firing Pin	23 - Carrier Spring Plunger	37 - Safety Button
10 - Locking Head Pin	24 - Carrier Spring	38 - Safety Plunger
11 - Bolt	25 - Hammer	39 - Carrier Drop Lever
12 - Accessory Mounting Rail	26 - Disconnecter Pin	40 - Shell Release Lever Spring
13 - Buttstock	27 - Disconnecter	41 - Trigger Guard Pin Ring
14 - Recoil Pad	28 - Disconnecter Plunger	42 - Trigger Pin Bushing



## USAGE OF CHOKE TUBES

	<b>SKEET</b>	<b>IC</b>	<b>M</b>	<b>IM</b>	<b>F</b>
<b>CHOKE TUBE</b>					
<b>BBLS</b>	<b>CL</b>	★ ★ ★ ★	★ ★ ★	★ ★	★

The choke controls how open or tight the pattern of the shot will be. The chart below list the chokes available (from open to tight), and the corresponding marks that indicate the specific choke.

Never fire your shotgun or run cleaning tools through a barrel that uses a choke tube without having a choke installed. The threads of the choke tube and the internal threads of the barrel should be cleaned after each use and before installation of the tube.

To install a tube, insert the tube into the top of the barrel and tighten with your fingers. Once the tube is finger tightened, tighten the rest of the way with the appropriate choke tube wrench until the tube is snug. Do not over tighten or forcefully tighten with wrench.

---

## MAINTENANCE AND CLEANING

**LUBRICATION WARNING:** Firing a shotgun with oil, grease, or other debris partially obstructing the bore may result in damage to the firearm or injury to the shooter and those nearby. Before firing make sure the bore and chamber of the barrel is unobstructed and dry.

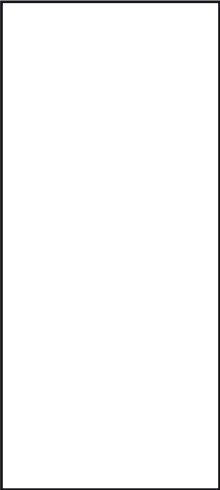
Never spray or apply lubricant on shotshells. Firing another shotshell behind an obstruction may damage the shotgun and cause death or injury. Only use lubricants properly and sparingly. You are responsible for the proper care and maintenance of your shotgun.

1. Disassemble your shotgun.
2. Using a proper cleaning rod, run a solvent-wetted patch through the bore several times. This will then be followed by running dry patches through the bore to remove any debris or residue.
3. If the bore is leaded to the extent that the above patch cleaning procedure did not remove the lead, then scrub the bore full length with a solvent-wetted brass bristle brush. When the leading is loose then repeat step #2.
4. The surfaces of bolt carrier, ejector, and inside surfaces of the receiver should be coated very lightly with non-penetrating lubricating oil.
5. Reassemble the shotgun and wipe the exterior metal surfaces sparingly with an oiled cloth. Swab the bore with an oily patch before storing the firearm.
6. Place the shotgun in a safe, locked storage space where unauthorized persons cannot access the firearm. Never store the shotgun in a leather case as leather attracts moisture even though it may appear dry.
7. Never fire your gun without choke tubes snugly tightened in barrels. Do not over tighten choke tubes. Wipe all exposed metal surfaces with an oiled cloth before storing. Do not squirt or pour oil into the inside mechanism because it may cause deformation.

**WARRANTY CARD**



NAME OF PURCHASER:.....  
ADDRESS OF PRUCHASER:.....  
CITY:..... STATE:..... ZIPCODE:.....  
MOBILE PHONE:.....  
PURCHASE DATE:.....  
PRODUCT MODEL/NUMBER:.....  
GAUGE:..... SERIAL NUMBER:.....  
PURCHASE PRICE:.....  
STORE NAME:.....  
SIGNATURE:.....



**WARRANTY CARD**

---

## SERVICE AGREEMENT AND LIMITED WARRANTY

Toros Arms Ltd. agrees to service its products free of charge for defects in materials and workmanship in accordance with the service agreement listed below. The obligation of Toros Arms under this agreement is limited to the repair or replacement of unserviceable parts and does not cover any incidental or consequential damages. Other than the express warranty contained herein Toros Arms makes no warranties, express or implied.

Toros Arms will repair or replace any unserviceable part(s) for one (1) year from date of purchase and further will supply free parts (Wood not included) for an additional two (2) years in accordance with the above warranty statement provided your firearm had not been altered, abused, willfully damaged, or damaged by overpressure ammunition.

This agreement is not transferable; its benefits apply only to the original purchaser. To obtain free service during the time this agreement is in effect, make sure your firearm is unloaded, and send it to **FOUR PEAKS IMPORTS**.

This agreement and the warranties contained herein are void if your registration card is not received with a copy of your sales slip within 30 days from date of purchase.



## BE COURTEOUS

When shooting or hunting always acquire the permission of the landowner. Respect the land. Do not litter, use gates when possible, leave open and closed gates closed. Drive vehicles only where advance permission has been granted any always express gratitude for use of another persons land. Offer your labor or game as repayment for the privilege of use. Remember you are helping develop a reputation for all sportsmen/sportswomen.



Gsm : +90 542 512 2860 Tel. : +90 332 512 2860

Üzümlü Mah. 44776 Sok. NO:4B Beyşehir Konya/TURKEY

Web : [www.torosarms.com](http://www.torosarms.com) E mail: [info@torosarms.com](mailto:info@torosarms.com)

Export manager:

[torosarms@gmail.com](mailto:torosarms@gmail.com) Export manager:[torosarmsexport@gmail.com](mailto:torosarmsexport@gmail.com)