

# INSTRUCTIONS FOR USE BETRIEBSANLEITUNG

STEYR MANNLICHER CL II



STEYR MANNLICHER CL II SX



STEYR MANNLICHER CL II LIGHT



STEYR MANNLICHER CL II VARMINT



**Important -  
Read before use!**

**Wichtig -  
Vor Gebrauch lesen!**



**Fig. 1a STEYR MANNLICHER CL II**  
**Abb. 1a STEYR MANNLICHER CL II**



**Fig. 1b STEYR MANNLICHER CL II SX**  
**Abb. 1b STEYR MANNLICHER CL II SX**



**Fig. 1c STEYR MANNLICHER CL II LIGHT**  
**Abb. 1c STEYR MANNLICHER CL II LIGHT**



**STEYR MANNLICHER GmbH**  
Ramingtal 46  
4442 Kleinraming / Austria  
office@steyr-mannlicher.com  
www.steyr-mannlicher.com



 **WARNING!**

Text passages after the word „WARNING!“ contain informations which have to be followed to save the shooter from potential damage.

 **CAUTION!**

Text passages after the word „CAUTION!“ contain informations which have to be followed to avoid potential damage to the weapon.

**Intended Use**

The STEYR MANNLICHER magazine fed repeating rifle is intended to be used solely for hunting and sport shooting purposes according to the respective national regulations. Any other use or any exceeding use is regarded to be a use not intended. The adherence of the instructions regarding safety, operation, maintenance and care given in the users manual are part of the intended use. The user is solely liable for any damages resulting from use not intended. This applies as well for any arbitrary and inappropriate changes to the gun.

**Before unpacking and using the rifle read this Operator's manual; it will warn the owner/user against possible dangers that could be caused by misuse, which might lead to accidents. This manual will familiarize you with the rifle's function and safe handling characteristics.**

Dear Customer,

With the purchase of the repeating rifle manufactured by STEYR MANNLICHER, you have acquired a hunting rifle which meets the highest quality standards. This rifle has been conceived to state-of-the-art requirements of today's hunting sports. Unsurpassed performance, superb quality, optimum user comfort in handling, and long service life have been the parameters this new development has been designed for. With our thorough quality assurance system you can be sure to have acquired a top-brand product of outstanding quality. Please read this manual carefully to familiarize yourself with the function and operation of this firearm. After having done so, there is nothing left for us to do but wish you much pleasure in pursuing the noble art of hunting with your new rifle.

 **WARNING!**

**This rifle is designed for use only with high-quality, original factory-manufactured cartridges. Use of handloaded, reloaded, „remanufactured“ or other nonstandard ammunition may cause serious malfunctions which can pose a safety hazard to the shooter or to others.**

## Instructions for use

### **STEYR MANNLICHER CL II STEYR MANNLICHER CL II LIGHT STEYR MANNLICHER CL II SX STEYR MANNLICHER CL II VARMINT**

#### Preface

This manual and the warnings contained herein must be read and understood before using your rifle. This manual familiarizes the user with the function and the handling of the rifle and warns against the potential dangers of misuse that may lead to accidents or injuries. This manual should always accompany this firearm and be transferred with it upon change of ownership, or when the firearm is loaned or presented to another person.

This manual is not a substitute for a firearms safety course!

Copyright STEYR MANNLICHER GmbH.  
All rights reserved.



**STEYR MANNLICHER GmbH**  
Ramingtal 46  
4442 Kleinraming / Austria  
[office@steyr-mannlicher.com](mailto:office@steyr-mannlicher.com)  
[www.steyr-mannlicher.com](http://www.steyr-mannlicher.com)

## Standards and certificates

The STEYR MANNLICHER weapons are manufactured in conformity with EN ISO 9001:2008, the specification of C.I.P. and certified after proofing in the Austrian Proof House of Vienna.

		<b>DNV-GL</b>
<b>MANAGEMENT SYSTEM CERTIFICATE</b>		
Certificate No: L2828-2012-AQ-001-0040	Initial certification date: 23. June 2012	Valid: 27. August 2015 - 26. August 2018
This is to certify that the management system of		
<b>Steyr Mannlicher GmbH</b>		
Ramingtonal 46, 4442 Kleinramming, Austria		
 <b>STEYR MANNLICHER</b> COUNT ON IT		
has been found to conform to the Quality Management System standard:		
<b>ISO 9001:2008</b>		
This certificate is valid for the following scope:		
<b>Development, manufacture and distribution of hunting guns and law enforcement arms</b>		
Place and date: Essen, 24. July 2015	 Deutsche Akkreditierungsstelle D-ZNR-18453-01-00	For the issuing officer: <b>DNV GL - Business Assurance</b> Schellinghof 14, 45329 Essen, Germany  <b>Thomas Beck</b> Management Representative
<small>           Lack of fulfillment of conditions as set out in the Certification Agreement may render this Certificate invalid.            ACCREDITED UNIT: DNV GL Business Assurance Certification and Investigation GmbH, Schellinghof 14, 45329 Essen, Germany.            Tel: +49 201 1296-000, www.dnv-gl.com         </small>		



## Table of Content

1. Special notes and warnings .....	6
2. Definition of terms .....	13
3. Technical data .....	14
4. Before shooting .....	15
5. Safety features .....	16
6. Trigger .....	18
6.1 Forward set trigger .....	18
6.2 Direct trigger .....	19
7. Removing the magazine .....	20
8. Loading / inserting the magazine .....	21
9. Loading / unloading .....	23
10. Removing the bolt .....	26
11. Reinserting the bolt into the receiver .....	27
12. Uncocking the rifle .....	28
13. Disassembling the rifle .....	29
14. Disassembling the bolt .....	30
15. Adjusting the sights .....	32
16. Mounting the scope .....	33
17. Cleaning and maintenance .....	35
18. Service .....	40
19. Accessories .....	40
20. Dealing with stoppages .....	41
21. Firing with a new barrel .....	44
22. Parts list .....	47

## 1. Special notes and warnings

### Introduction

Failure to adhere to safety information and safety instruction in this manual could result in property damage, personal injury or death.

#### **WARNING!**

**The higher level of preparedness required of law enforcement and military personnel may override several of the following safety instructions. To provide safety while operating at a higher level of preparedness, proper oriented training and a reasonable amount of periodic training, which stresses safe tactical procedures, is recommended.**

If unfamiliar with firearms, seek further advice through safe handling courses run by your local gun clubs, approved instructor, or similar qualified organizations.

#### **WARNING!**

**Prior to loading and firing, carefully read this manual, which gives basic advice on the proper handling and functioning of this firearm. However, your safety and the safety of others (including your family) depend on your compliance with that advice, and your adoption, development and constant employment of SAFE PRACTICE.**

 **WARNING!**

It is possible that a round may be in the chamber when a loaded or empty magazine is being removed or inserted. Any round in the chamber will discharge upon pulling the trigger with the magazine inserted or removed from the rifle. Therefore the user shall never leave the rifle unattended, even when the magazine is removed and the user should exercise extreme caution after removing the magazine and personally must verify that the chamber is also empty before field stripping the firearm for cleaning or any other reason.

### Safety instructions

We want you to enjoy shooting your rifle, but we want you to enjoy it safely. You may be an experienced safe shooter already, and familiar with the procedures in this manual, or you may never have handled a gun before. Either way we urge you to **read this entire manual carefully**. It is essential to follow the safety instructions for your safety and the safety of others.

 **WARNING!**

If the rifle or any other firearm is carelessly or improperly handled, the user could cause an unintentional discharge, which could result in death, serious injury and/or property damage.

 **WARNING!**

In case any of the rifle's safeties proves to be ineffective for any reason, danger of an unintentional discharge exists. The rifle is then to be immediately unloaded and restricted for any further use. Make sure that your rifle is properly repaired and checked by authorized personnel before using it again!

### General precautions

- 1 Always handle your rifle as if it were loaded so that you never fire accidentally.
- 2 Never point your rifle at anything you do not intend to shoot.
- 3 Never take anyone's word that a gun is unloaded; check for yourself, with fingers off the trigger and gun pointed in a safe direction.
- 4 Always be sure barrel and the trigger mechanism are clear of obstructions. Clean obstructions immediately so that the rifle will function correctly and safely.
- 5 Never squeeze the trigger or put your finger in the trigger guard until you are aiming at the target you intend to shoot.
- 6 **For storage:**  
Unload the firearm as described, then after verifying that the firearm is empty (chamber empty and magazine off) store the firearm in the provided container in safety conditions only.

- 7 Never shoot at a hard surface, such as a rock, or a liquid surface, such as water. A bullet may ricochet and travel in any direction to strike you or an object you cannot see.
- 8 Always be sure your backstop is adequate to stop and contain bullets before beginning target practice so that you do not hit anything outside the shooting range area.
- 9 Always be absolutely sure of your target and the area behind it before you squeeze the trigger. A bullet could travel through or past your target up to 3,5 miles (appr. 5,6 km). If in doubt do not shoot.
- 10 Always put a responsible and competent person in charge to maintain safety discipline and control when a group is firing on a range, to reduce the likelihood of accidents.
- 11 Always carry your rifle empty and open while on a public or club range until preparing to fire. Keep it pointing towards the backstop during loading, firing and unloading the rifle.
- 12 Never leave a rifle unattended. Someone, especially a child, may fire it, believing it to be a toy.
- 13 Never use your rifle if it fails to function properly and never force a jammed action as the jammed round may explode.
- 14 Always transport your rifle unloaded.

**15 Failure to fire:**

Always hold the rifle, keeping it pointed towards the target and wait 60 seconds when rifle fails to fire. If a hangfire (slow ignition) has occurred, round will fire within 60 seconds. If round has not fired remove magazine, eject round and examine primer. If firing pin indent on primer is light, off center or non-existent have rifle examined by a competent gunsmith. If firing pin indent on primer appears normal (in comparison with similar previously fired rounds) assume faulty ammunition. Separate round from other live ammunition and empty cases, reload and carry on firing.

**Note: Dispose of misfired rounds in accordance with ammunition manufacturer's instructions.**

- 16 Never fire your rifle near an animal unless it is trained to accept that noise, an animal's startled reaction could injure it or cause an accident.
- 17 Never walk, climb, follow a companion or hunt with your rifle ready to fire (in battery).
- 18 Never drink alcoholic beverages or take drugs before or during shooting. As your vision and judgment could be seriously impaired, making your gun handling unsafe.
- 19 Always seek a doctor's advice if you are taking medication to be sure you are fit to shoot and handle your rifle safely.

- 20 Always wear ear protection when shooting, especially on a range. Without ear protection the noise from your rifle and other guns close to you could leave a “ringing” in your ears for some time after firing and could lead to cumulative long term permanent hearing loss.
- 21 Always make sure your rifle is not loaded before cleaning, storing, traveling or handing it to another person.
- 22 Always wear safety glasses when firing to protect your eyes.
- 23 Always keep clear and keep others clear of the ejection port, as spent cartridges are ejected with enough force to cause injury. Never place fingers in ejection port or on hot slide or barrel during or after firing, as they could be burned by hot metal.
- 24 Only use high quality commercially manufactured ammunition in excellent condition and in the caliber of your rifle. The use of reloaded ammunition will void the warranty, due to the fact that there is no way to verify the standards (SAAMI/CIP) adhered to because reloads or poor quality ammunition sometimes do not need specification (SAAMI/CIP), exceed limits and could be unsafe.
- 25 Never pull the trigger before the bolt has completely reached its most forward position (starting position).

 **WARNING!**

To minimize risk of unintentional discharge (and damage) load live ammunition into rifle only when you are about to shoot.

**Special precautions in concerning children**

- 1 Always store your rifle and ammunition in separate locked receptacles out of sight and reach of children.
- 2 Never leave your rifle uncontrolled. Unauthorized persons, especially children, could believe the weapon is a toy and fire it.



## 2. Definition of terms

### STEYR MANNLICHER CL II STEYR MANNLICHER CL II LIGHT

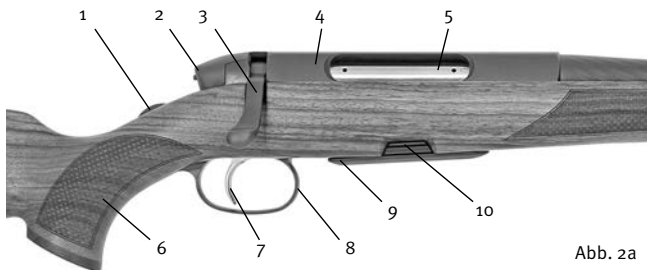


Abb. 2a

### STEYR MANNLICHER CL II SX STEYR MANNLICHER CL II VARMINT

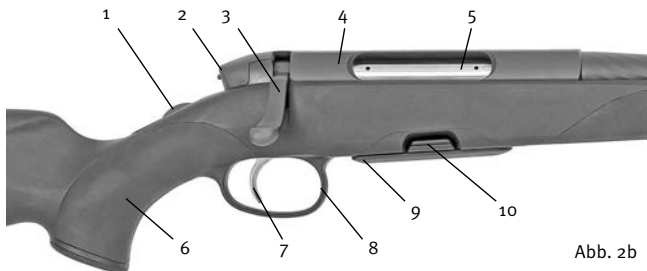


Abb. 2b

- |               |                 |               |
|---------------|-----------------|---------------|
| 1 Safety      | 5 Bolt          | 9 Magazine    |
| 2 Bolt cap    | 6 Stock         | 10 Snap latch |
| 3 Bolt handle | 7 Trigger       |               |
| 4 Receiver    | 8 Trigger guard |               |

### 3. Technical data

Caliber*	22-250 Rem., 243 Win., 308 Win., 7mm-08 Rem., 7x64, 270 Win., 30-06 Spr., 8x57 JS, 9.3x62
Magnum caliber	7mm Rem. Mag., 300 Win. Mag., 300 Weath. Mag., 270 WSM, 300 WSM, 8x68S
<b>Overall length of rifle:</b>	
Semi stock STEYR MANNLICHER CL II (barrel 558 mm)	1115 mm / 43.9"
Semi stock STEYR MANNLICHER CL II LIGHT	-
Semi stock STEYR MANNLICHER CL II SX	-
Semi stock STEYR MANNLICHER CL II VARMINT	-
STEYR MANNLICHER CL II Full stock	-
STEYR MANNLICHER CL II Semi Weight	-
Overall height with open sights	140 mm / 5.5"
Overall width	53 mm / 2.1"
<b>Barrel length:</b>	
STEYR MANNLICHER CL II	508, 558, 635 mm / 20, 22, 25"
STEYR MANNLICHER CL II LIGHT	508 mm / 20"
STEYR MANNLICHER CL II SX	508, 558, 635 mm / 20, 22, 25"
STEYR MANNLICHER CL II VARMINT	600 mm / 23,6"
STEYR MANNLICHER CL II Full stock	508 mm / 20"
STEYR MANNLICHER CL II Semi Weight	508 mm / 20"

<b>Total weight</b> (depends on caliber, stock or stock type, without scope)	
STEYR MANNLICHER CL II (barrel 558 mm)	appr. 3,4 kg / 7.5 lbs.
STEYR MANNLICHER CL II LIGHT	-
STEYR MANNLICHER CL II SX	-
STEYR MANNLICHER CL II VARMINT	-
STEYR MANNLICHER CL II Full stock	-
STEYR MANNLICHER CL II Semi Weight	-

\* All ammunition produced in accordance with international and NATO standards may be used.

#### **4. Before shooting**

Before shooting, you only clean the barrel bore of oil and wipe the bore dry. If the weapon is not assembled, the bolt must be inserted into the receiver as described in section 17.

## 5. Safety features



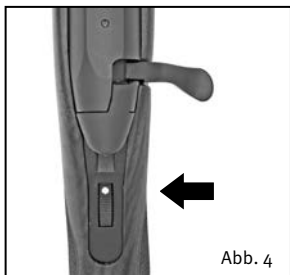
The safety can be operated only when the weapon is cocked or the bolt handle is open!

The „2 + 1 positions STEYR MANNLICHER safety“

**Firing Position** (Fig. 3):



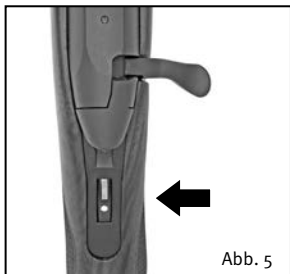
**The cocked weapon is ready for firing, when the red dot is visible. The rotary slide is rotated fully forward.**



**Safety Position** (Fig. 4):

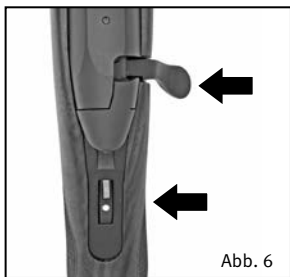
By turning the rotary safety backward until a noticeable click can be felt, the safety is brought into loading position. Only the white dot on the safety is visible!

In this position any unintentional firing of a shot will be prevented and the rifle can thus be loaded safely.



### Optional Lock Position (Fig. 5)

Trigger is locked, bolt cannot be opened. To put the weapon on safe, the rotary safety slide on the butt neck must be rotated backward until the gray lock engages. The gray lock and the white dot on the safety are visible; the gray lock can also be felt as a protrusion for operation in darkness. In this position, the bolt cannot be opened. The set trigger is automatically uncocked when safety is on. The set trigger cannot be moved into set position.



### Lock Position + Firing Pin Safety (Fig. 6)

For added "firing pin safety" the bolt handle can be moved closer to the stock in lock position and thus will be in optimal transport position. In this position, bolt handle and firing pin will be locked. If the bolt handle is in "Firing pin safety" position, it will be automatically moved into firing position when activating the loading position ("Released").

## 6. Trigger

The STEYR MANNLICHER CL II / LIGHT comes with forward set trigger as standard equipment, the STEYR MANNLICHER CL II SX / VARMINT with direct trigger. However, the rifle can be fitted with the alternative trigger system at any time.

### 6.1 Forward set trigger

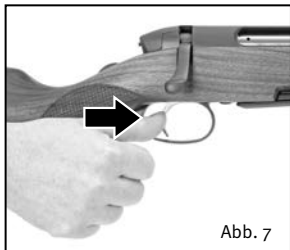


Abb. 7

For setting, the trigger must be pressed forward against the spring pressure.

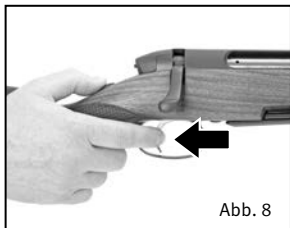


Abb. 8

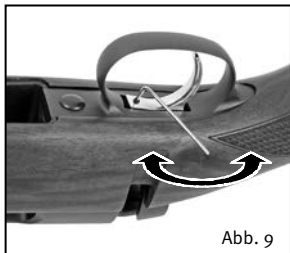
By slightly tipping the trigger it will return into its original position releasing the shot.

Without setting, the set trigger can be used as shotgun trigger.

#### Uncocking the forward set trigger:

If the forward set trigger is cocked, move safety slide in lock position (Fig. 5) to automatically uncock the forward set trigger.

### Adjustment of the forward set trigger:



**⚠ WARNING!**

Only adjustment of the set trigger release pressure by the user. All other adjustments by an authorized STEYR MANNLICHER armorer only.

**⚠ WARNING!**

Turning the screw too far will make cocking impossible.

### Adjusting of the trigger pull:

To reduce trigger release pressure, turn the screw on the trigger in clockwise direction using a size 1.5 Hex key.

To increase trigger release pressure, turn the screw on the trigger in counter clockwise direction using a size 1.5 Hex key.

## 6.2 Direct trigger

**⚠ WARNING!**

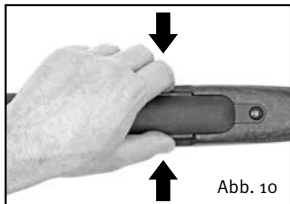
All adjustment of the direct trigger by an authorized STEYR MANNLICHER armorer only.

The weapon has been factory-set to optimal trigger characteristics. Thus, the shooter must not perform any changes or adjustments!

## 7. Removing the magazine

### **WARNING!**

Your rifle is chambered for only one specific caliber of ammunition. The magazine that comes with your rifle is marked with the calibers of all of the rifles in which it can be used. It is important that you only load your magazine with the specific caliber of ammunition for which your rifle is chambered. Always compare the caliber marked on the headstamp of your ammunition with the caliber marked on your rifle when loading your magazine to ensure that you use the correct caliber. If you use the wrong caliber of ammunition in your rifle, it could destroy your firearm and result in death or serious personal injury.



Press the two snap latches at the right and the left of the magazine fully together using thumb and index finger of one hand and remove the magazine while pressing.



## 8. Loading / inserting the magazine



### **Loading**

Place cartridge on top of the magazine and push in by thumb pressure.

### **Magazine Capacity**

4 cartridges in standard calibers, 3 cartridges in magnum calibers. Put safety to loading position.

## Inserting the magazine into the rifle

The magazine can be locked in the rifle in 2 positions:



Abb. 12

### Normal position

Insert the magazine into the rifle and press it in until it locks with an audible click.

If the magazine is to be inserted without any noise, the two snap latches must be pressed against each other and the magazine pressed in until the two latches lock. The inserted magazine will be flush with the stock. When the bolt is operated, a cartridge will be chambered from the magazine.

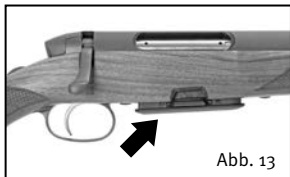


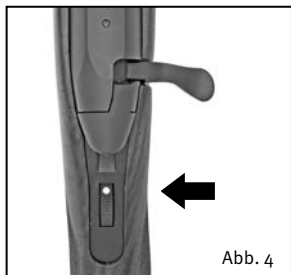
Abb. 13

### Second magazine position

Press the two snap latches of the magazine against each other and push magazine into the rifle until the magazine latches on the upper detent. In this position the magazine will protrude from the stock by approx. 5 mm / 0,19".

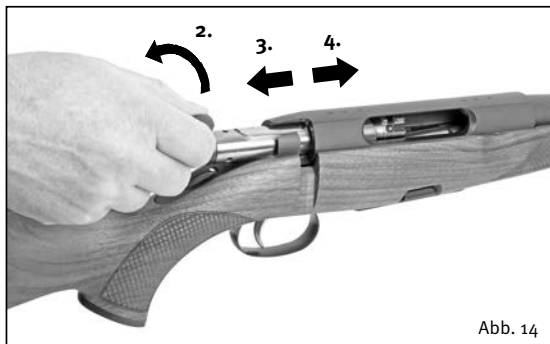
When the bolt is operated, cartridges **will not** feed from the magazine.

## 9. Loading / unloading



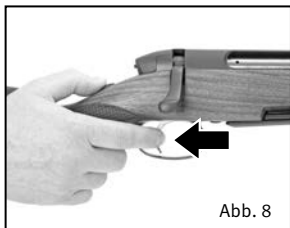
### Loading:

1. Move rotary safety of the rifle to position "Safety" (Fig. 4).
2. Turn bolt handle 70° upwards to unlock the bolt.
3. Pull bolt all the way to the back by the bolt handle.
4. When moving the bolt forward, a cartridge will be fed into the cartridge chamber of the barrel and by turning the bolt handle down, the action will be locked.





Release safety only shortly before firing the shot. If the weapon has to be reloaded after firing a shot, the bolt handle must be opened.

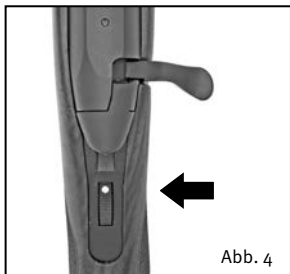


### Firing

Pull the trigger until the shot is released.

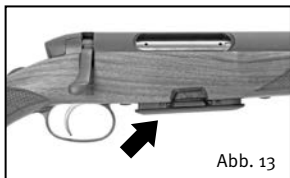
By retracting the bolt, the spent cartridge shell will be extracted and ejected. Moving the bolt forward will feed a new cartridge into the cartridge chamber of the barrel. Relock the bolt by turning the bolt handle. Move rotary safety back to position **“Safe”** (Fig. 4).

The rifle is loaded, cocked, and safe, again. If the safety has been released, but no shot fired, the weapon must be immediately put on safe (Fig. 4) again.



## Unloading

1. Move rotary safety in position "Safe" (Fig. 4 only white dot is visible).

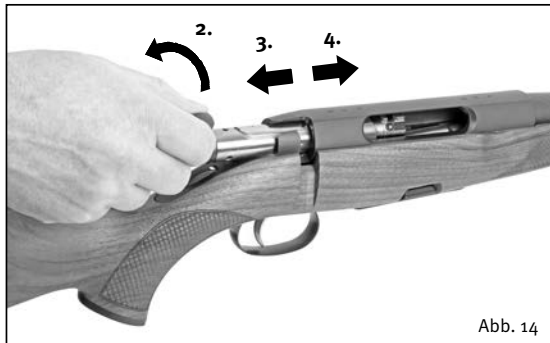


2. Remove magazine or lock it in second position (magazine protrudes by approx. 5 mm / 0,19").

3. By opening the bolt handle and retracting the bolt, the cartridge located in the loading chamber of the barrel will be extracted and ejected. Make certain that no cartridge is in the chamber.
4. Close the bolt.

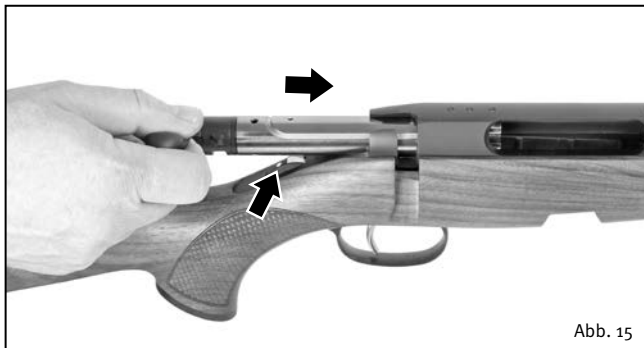
## 10. Removing the bolt

Removal of the bolt is recommended to facilitate proper cleaning of the barrel.



1. With your right hand, turn bolt handle 70° to the left (unlocking).
2. Move rotary safety to position "Lock" (Fig. 5 gray lock snaps out).
3. Hold bolt by the bolt handle and extract it from the receiver.

## 11. Reinserting the bolt into the receiver



1. First, make certain that the magazine has been removed or locked in second position (Fig. 13) and the weapon is unloaded!
2. When reinserting the bolt into the receiver the rotary safety will be in "Lock" position (Fig. 5). Hold the bolt by the bolt handle and insert it into the receiver. When inserting the bolt, rotate the bolt so that the bolt handle slides into the slot of the receiver.
3. Move rotary safety slide to "Firing" position (Fig. 3) and lock the bolt handle while simultaneously pulling the trigger (to prevent cocking of the firing pin). When doing so, the indicator pin at the rear of the bolt sleeve will disappear.

## 12. Uncocking the rifle

Make certain the weapon is unloaded and the safety is on “Firing position” (Fig. 3). The bolt handle is open.



**Do not attempt to uncock a loaded rifle!**

When you are sure that the rifle is empty, pull trigger and hold it while pushing the bolt handle to the right and downward. The indicator pin at the rear of the bolt sleeve will disappear indicating that the weapon is uncocked.



### 13. Disassembling the rifle

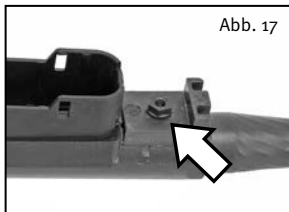
Complete disassembly of the rifle by the user usually is not required. The two screws at the bottom side of the rifle connect the action to the stock.



If these screws are loosened, they have to be retightened again with a torque wrench (7 Nm).

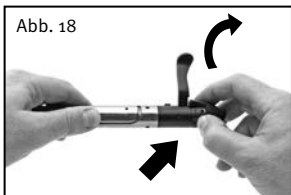
#### **⚠ CAUTION!**

**When removing the action from the rifle, the hex screw at the front bottom side of the receiver must never be loosened. The screw has been factory-tightened with a torque of 20 Nm.**



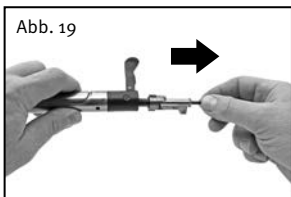
## 14. Disassembling the bolt

Under normal circumstances, the bolt doesn't need to be disassembled. It has been permanently lubricated by the factory. As a rule, occasional inspection by the gunsmith of your franchised MANNLICHER Dealer should be sufficient to ensure adequate maintenance. If you wish, you may ask an expert gunsmith to instruct you in the disassembly and reassembly of the bolt. However, special circumstances with no gunsmith available may require that the bolt be disassembled, cleaned, and lubricated.



### Disassembly

1. Grip the bolt with your left hand. Push in catch lever with your right thumb and simultaneously rotate the bolt sleeve clockwise (arrow shows direction of rotation) until it unlocks with an audible click.



2. Take off bolt sleeve and extract firing pin assembly.

If necessary you can clean and oil all parts of the bolt complete.

Any further disassembly should be done only by adequately trained and skilled personnel (gunsmith).

 **CAUTION!**

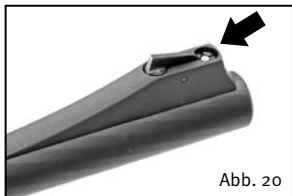
When disassembling, never rotate the bolt sleeve in counterclockwise direction. Otherwise, the bolt could not be reinserted into the receiver.

**Reassembling the bolt**

1. Grip the bolt with your left hand and insert firing pin assembly into bolt with the firing pin lug aligned directly opposite to the bolt handle.
2. Using your right hand, slide the bolt cap on the firing pin lug until it stops, simultaneously pressing the ratchet lever with your thumb. Rotate the bolt cap counterclockwise until it locks into position.

Make sure not to turn the bolt cap beyond the line of alignment.

## 15. Adjusting the sights



### Front sight, elevation

Turning the nut to the left will lower the front sight and raise the point of impact. Turning the nut to the right will raise the front sight and lower the point of impact.

Use thumb pressure to press front sight downward and turn the set nut.



### Rear sight, windage

Loosen the screw behind the rear sight and move rear sight to the left or to the right.

To the left = point of impact shifts to the left.

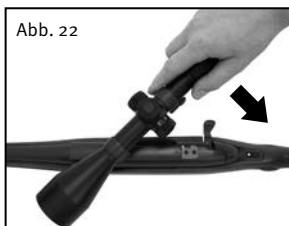
To the right = point of impact shifts to the right.

## 16. Mounting the scope

It is recommended to use the original STEYR MANNLICHER swing mount. This will ensure you can make full use of the accuracy of these barrels. The receiver has been drilled and tapped at the factory for scope mounts (Holes are plugged, if the rifle has been delivered without scope). Fitting surfaces for attaching the original STEYR MANNLICHER swing mount have also been prepared so that the scope can be mounted by an experienced gunsmith in minimal time.

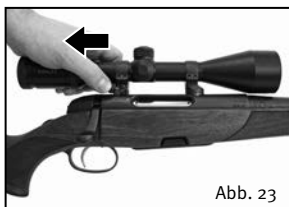
### **WARNING!**

**Because of the little set trigger weight vibrations can produce unintentional firing of the weapon. Thus the weapon always has to be unloaded, uncocked or in safety position before mounting or removing the optic sight.**



### Putting the mounted scope on

Hold the scope with your right hand in horizontal position, at an angle of  $45^{\circ}$  to the rifle axis, mount the front scope ring (for prism mounts this part is termed holding prism) on the front base and swing the scope in a clockwise direction until it locks automatically. Pulling back the slide is not necessary.



### Taking the mounted scope off

With your right hand, reach over the scope and retract the slide using your thumb and index finger, simultaneously swing the scope counterclockwise to an angle of  $45^{\circ}$  and lift it off.

## 17. Cleaning and maintenance

### **WARNING!**

**Before cleaning unload the weapon and conduct safety check.**

The action of the STEYR rifles has been designed to require no maintenance for prolonged periods. Never use steel brushes to clean the barrel. The recommended cleaning material is silk noil or cotton wool which should be soaked with special barrel oil or high quality gun oil for pre-cleaning or final oiling. Special agents for removing copper deposits may only be used as directed.

### **CAUTION!**

**Make sure to always clean the barrel from the chamber to the muzzle. Never draw the silk noil or cotton patch back through the barrel after it emerges from the muzzle; rather, remove the noil or patch. Make sure to avoid even the slightest wear or damage to the muzzle crown. After cleaning, the barrel bore should be oiled lightly.**

### **CAUTION!**

**The rotary bushing located between the barrel and the receiver may be dislodged by improper cleaning, including the use of oversized patches or oversized cleaning brushes. If the bushing is dislodged, the bolt cannot be inserted or locked.**

**Cleaning of the bore (after firing up to 40 rounds with lead free bullets).**

1. Remove the magazine as described in point 7 table of contents.
2. Unload the rifle as described in point 9 table of contents.
3. Lay the rifle horizontal down on a rigid board.
4. Remove the bolt as described in point 10 table of contents.
5. Take a clean rod and fix a clean patch to the patch holder.
6. Moisten the patch with bore solvent and push it through the bore completely.



**Do not pull back the pad through the bore, to avoid damaging the muzzle.**

7. Remove the patch from the rod.
8. Remove the pad holder and replace it with a correct sized bronze brush.
9. Push a correct size bronze brush a several times through the wet bore after the recommended dwell time. Recommendation: for each three fired rounds perform one back and forth cycle.
10. Replace the bronze brush by the patch holder and push a cleaning patch through the chamber and bore.
11. Remove the polluted patch.
12. Repeat this procedure until the moistened patch remains clean.



13. Remove the remaining bore solvent with a clean and dry patch.

** CAUTION!**

**Slightly oil the bore and chamber, if you store the rifle for a longer period of time or the rifle is used in a corrosive atmosphere.**

Before shooting remove the oil from the bore and chamber with a dry and clean patch to avoid a deviation of the point of impact.

### **Cleaning of the chamber**

Clean the chamber with a fitting cleaning brush or a cleaning rod section.

1. Always clean the bore after cleaning the chamber to remove bore solvent.
2. Wipe away all surplus solvent from the receiver and compensator.

### **Cleaning of the bore (after firing more than 40 rounds with lead free bullets).**

Remove heavy fouling deposits after firing a large number of rounds (more than 40 rounds). Copper fouling may be seen from the muzzle as a copper colored residue, carbon fouling as a black residue between the lands. Heavy fouling deposits increase the pressure inside of the barrel, resulting in hard extractions, loss of accuracy and potentially making the rifle unsafe to use. For best results alternately use a copper solvent and a carbon remover referring to the recommendation of the solvent manufacturer's.

1. Push the bronze brush several times through the wet bore after the recommended dwell time. Recommendation: for each three fired rounds perform one back and forth cycle.
2. Replace the bronze brush if the resistance is to little.
3. Replace the bronze brush by the patch holder and push a clean patch through the chamber and bore.

 **CAUTION!**

**Do not, pull back the patch through the muzzle.**

4. Repeat this alternating operation with the copper solvent and the carbon remover until a new solvent-moistened patch can be passed through the bore remaining clean (copper residue is blue colored, carbon residue is gray colored).
5. Remove the surplus solvent from the bore with a dry patch.
6. Wipe away all surplus solvent from the receiver and compensator.

### **General rifle cleaning**

The metal and synthetic parts of the rifle can also be cleaned without damage by using a regular ultrasonic cleaning process. After cleaning slightly oil the outer surfaces of the metal parts with weapon oil. For the scope mount and all movable parts, special permanent lubricants are recommended. Always keep the scope mount clean and slightly oiled. It is recommended to use a different type of oil for cleaning and for preservation or greasing.

** CAUTION!**

The use of gun care products and cleaning agents as well as insect repellents containing solvents may alter or even damage the synthetic parts.

## 18. Service

Prior to shipment, your rifle has been subjected to thorough quality assurance inspections.

If your rifle should require a replacement of parts or repair, such replacement or repair work may be done only by an authorized and qualified gunsmith. Please contact one of our authorized STEYR MANNLICHER dealers.



**Only original spare parts may be used for repairs or replacement!**

## 19. Accessories

Optical sights and the following optional original STEYR MANNLICHER accessories are available at your dealer.

- Spare magazines
- Direct trigger or forward set trigger
- Three different butt plates (10 mm steps)

## 20. Dealing with stoppages

If the rifle is kept clean and given proper care it will function very reliably. Nevertheless if jams occur, follow this procedure:

- 1 Keep the rifle pointed in a safe direction.
- 2 Put the rifle on safe and remove the magazine.
- 3 Pull back bolt entirely, in order to throw out jammed cartridge.
- 4 Be sure there is no obstruction in the barrel before attempting to chamber another cartridge.
- 5 Push forward the bolt.
- 6 Insert magazine
- 7 Load again and continue shooting.

If there is a jam again, unload the rifle and have it checked by a qualified gunsmith.

No.	Nature of blockage	Cause	Remedy
1	Failure to feed cartridge	a) Cartridge not properly inserted b) Chamber fouled c) Cartridge damaged	Load new clean Cartridge Clean chamber Load new cartridge, inspection
2	Bolt cannot be locked	a) Chamber or bolt fouled b) Defective cartridge	Clean chamber and bolt Load new cartridge
3	Cartridge did not ignite	Defective cartridge a) primer punctured: misfire b) Firing pin defective or broken (primer not, or insufficiently punctured) c) Trigger mechanism defective	<b>Wait 1 minute</b> in firing position, unload, then reload a new cartridge <b>Wait 1 minute</b> in firing position, unload, and inspect the rifle. <b>Replacement of the firing pin by a qualified gunsmith only.</b> <b>Wait 1 minute</b> in firing position, unload. <b>Inspection and repairing by a qualified gunsmith only.</b>

<b>No.</b>	<b>Nature of blockage</b>	<b>Cause</b>	<b>Remedy</b>
4	Cartridge case is not extracted	Extractor defective	<b>Extractor replaced by a qualified gunsmith</b>
5	Cartridge case is extracted, but ejected faultily or not at all	Ejector fouled or defective	<b>Ejector replaced by a qualified gunsmith</b>

## 21. Firing with a new barrel

STEYR MANNLICHER barrels are made from high quality barrel steel and are produced according to the latest findings in barrel production technology. Our weapons are well known for their outstanding accuracy. However, the accuracy of a weapon depends on several factors. The correct holding of the rifle without applying additional force onto the free floating barrel or the optical sight and a not excessively hard rifle rest are pre-condition to achieve an excellent accuracy. One of the most important factors is the ammunition used. Not every ammunition is suitable for a given type of barrel. Even ammunition from the same manufacturer and of the same brand may show different accuracy results from production lot to production lot and when fired from different weapons. With a new rifle or after barrel changing some rounds should be fired to get the optimal precision. Clean the rifle and the barrel after each of the following processes as described in point 17 table of contents.

1. Fire 3 Rounds and clean the barrel as described in point 17 table of contents.
2. Fire 5 Rounds and clean the barrel as described in point 17 table of contents.
3. Fire 5 Rounds and clean the barrel as described in point 17 table of contents.
4. Fire 10 Rounds and clean the barrel as described in point 17 table of contents.

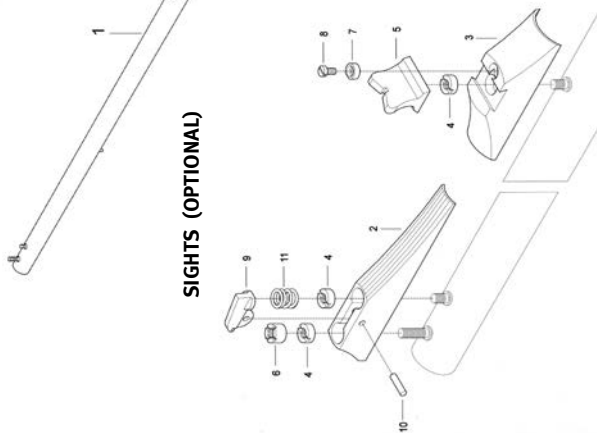
We wish you much pleasure with your

**STEYR MANNLICHER RIFLE**



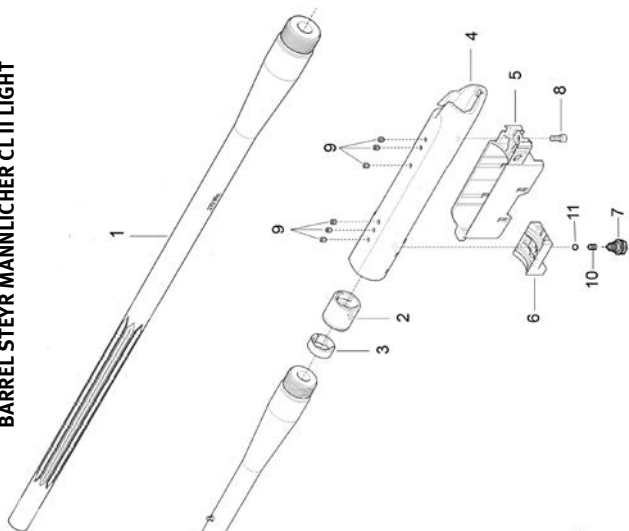


## BARREL STEYR MANNLICHER CL II



## SIGHTS (OPTIONAL)

## BARREL STEYR MANNLICHER CL II LIGHT



## 22. Parts list

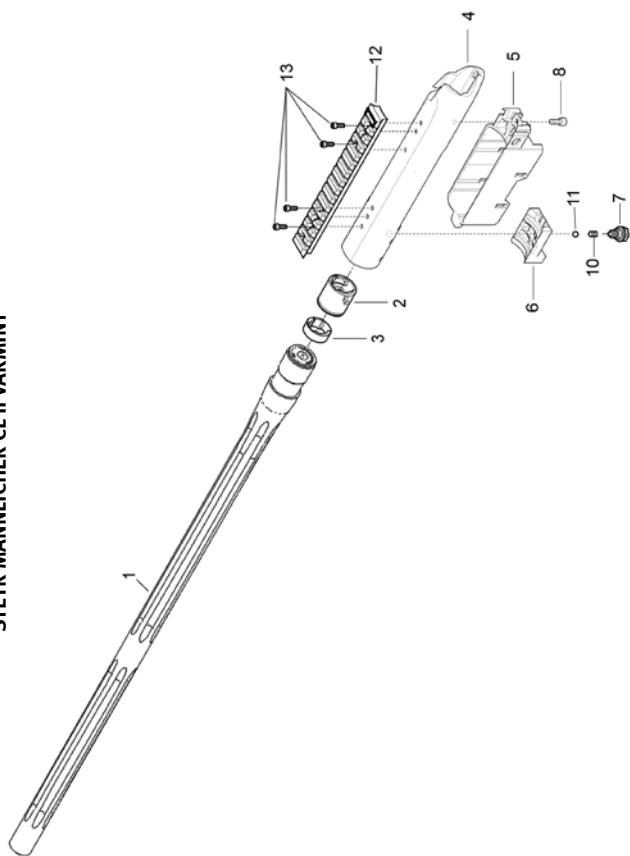
### Barrel - receiver group

Item	Denomination	Quantity
1	Barrel	1.
2	Locking bush	1.
3	Safety bushing	1
4	Receiver	1.
5	Magazine well	1
6	Bedding block	1
7	Bedding block screw	1
8	Socket head cap screw	1
9	Headless set screw	6
10	Spring	1
11	Ball	1

### Sights

2	Front sight base	1
3	Rear sight base	1
4	Slotted round nut	3
5	Rear sight	1
6	Set nut	1
7	Clamping sleeve	1
8	Screw	1
9	Front sight	1
10	Parallel pin	1
11	Spring	1

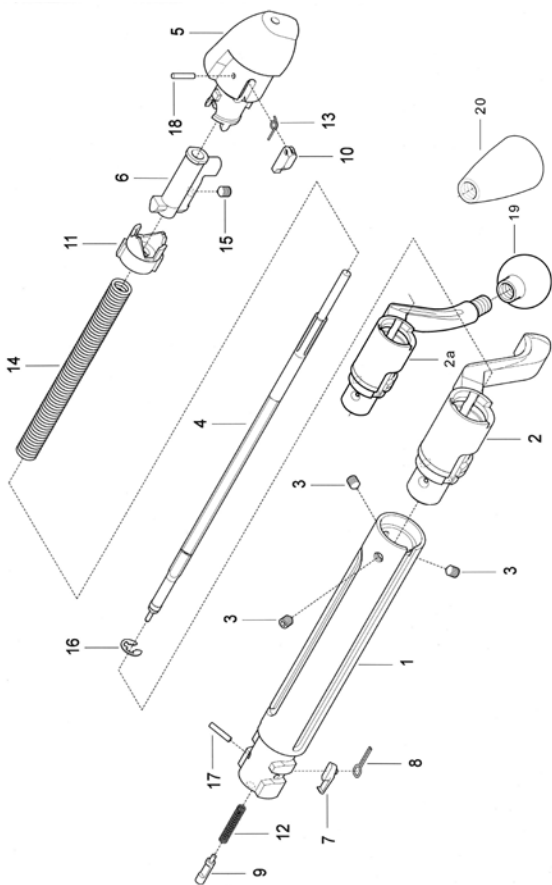
## STEYR MANNLICHER CL II VARMINIT



**Barrel - receiver group**

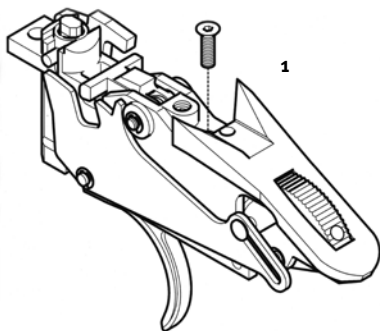
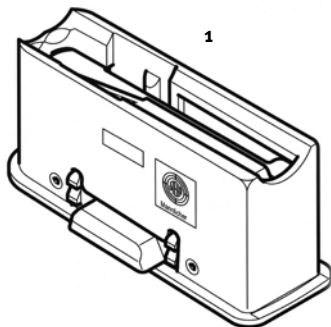
<b>Item</b>	<b>Denomination</b>	<b>Quantity</b>
1	Barrel	1.
2	Locking bush	1.
3	Safety bushing	1
4	Receiver	1.
5	Magazine well	1
6	Bedding block	1
7	Bedding block screw	1
8	Socket head cap screw	1
10	Spring	1
11	Ball	1
12	Picatinny Rail	1
13	Screw	4

## Bolt group



**Bolt group**

<b>Item</b>	<b>Denomination</b>	<b>Quantity</b>
1	Bolt	1
2	Bolt handle	1
2a	Bolt handle grip sc sport	1
3	Headless set screw	3
4	Firing pin	1
5	Bolt cap	3
6	Firing pin lug	1
7	Extractor	1
8	Spring	1
9	Ejector	1
10	Ratchet lever	1
11	Cam sleeve	1
12	Pressure spring	1
13	Ratchet lever spring	1
14	Firing pin spring	1
15	Headless set screw	1
16	Lock washer	1
17	Spirol pin	1
18	Spirol pin	1
19	Handle grip SCOUT	1
20	Handle	1

**TRIGGER GROUP****MAGAZINE GROUP**



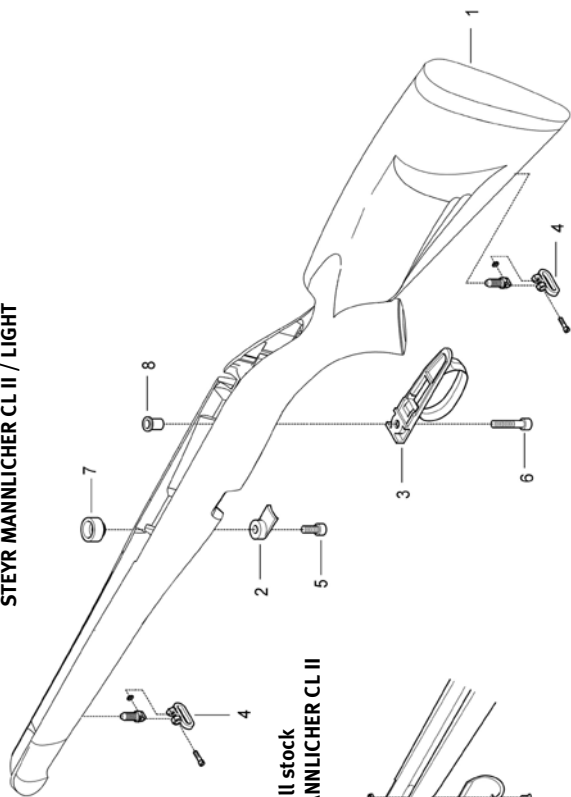
**Trigger group**

<b>Item</b>	<b>Denomination</b>	<b>Quantity</b>
1	Direct trigger	1
1	Set trigger	1

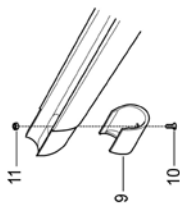
**Magazine group**

1	Magazine	1
---	----------	---

Half stock  
STEYR MANNLICHER CL II / LIGHT



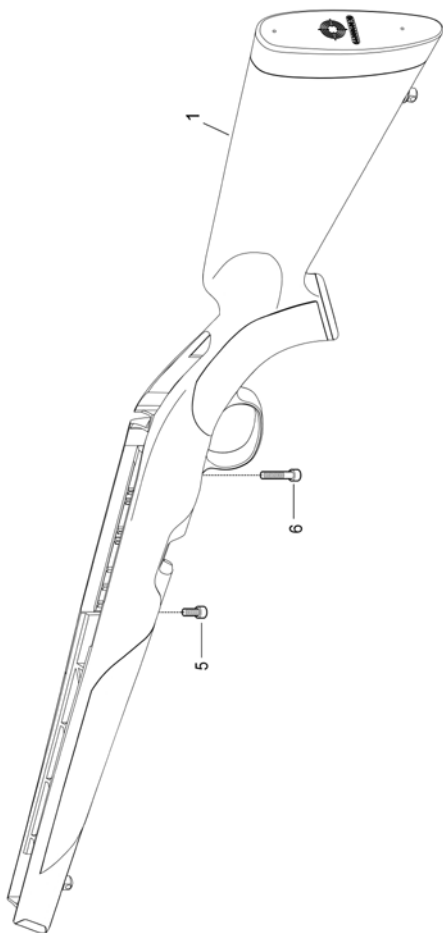
Full stock  
STEYR MANNLICHER CL II



**Stock group**

<b>Item</b>	<b>Denomination</b>	<b>Quantity</b>
1	Half stock complete	1
1	Full stock complete	1
2	Screw support	1
3	Trigger guard	1
4	Sling swivel complete	2
5	System screw front	1
6	System screw rear	1
7	Insert front	1
8	Insert rear	1
9	Fore-end nose cap	1
10	Screw fore-end nose cap	1
11	Nut fore-end nose cap	1

Half stock  
**STEYR MANNLICHER CL II SX / VARMINT**



**Stock group**

<b>Item</b>	<b>Denomination</b>	<b>Quantity</b>
1	Stock complete	1
5	System screw front	1
6	System screw rear	1

**Notes**

** VORSICHT!**

Der Text nach dem Signalwort **Vorsicht** enthält Informationen, die beachtet werden müssen, um den Schützen vor Schaden zu bewahren.

** ACHTUNG!**

Der Text nach dem Signalwort **Achtung** enthält Informationen, die beachtet werden müssen, um Schaden an der Waffe zu verhindern.

**Bestimmungsgemäße Verwendung**

Das STEYR MANNLICHER Repetiergewehr dient ausschließlich zu jagdlichen und sportlichen Zwecken entsprechend der jeweiligen waffenrechtlichen nationalen Bestimmungen. Eine andere oder darüber hinausgehende Benutzung gilt als nicht bestimmungsgemäß. Zur bestimmungsgemäßen Verwendung gehört auch das Einhalten der Hinweise der Betriebsanleitung in Bezug auf Sicherheit, Betrieb, Instandhaltung und Wartung. Für aus nicht bestimmungsgemäßer Verwendung resultierende Schäden haftet allein der Benutzer. Dies gilt auch für eigenmächtige und unsachgemäße Veränderungen an der Waffe.

Werter Kunde,

Durch den Erwerb des STEYR MANNLICHER Repetierers besitzen Sie ein Gewehr, das höchsten Ansprüchen gerecht wird. Die Waffe wurde den zeitgemäßen Anforderungen entsprechend, entwickelt. Beste Schussleistung, höchste Qualität, Bedienungsfreundlichkeit sowie maximale Sicherheit des Schützen und lange Lebensdauer waren die Parameter, die es bei dieser Neuentwicklung zu erfüllen galt. Durch unser angewandtes Qualitätssicherungssystem haben Sie Garantie darüber, ein ausgezeichnetes Markenprodukt erworben zu haben.

 **VORSICHT!**

**Die Waffe ist ausschließlich zum Gebrauch mit serienmäßig hergestellten, hochwertigen Originalpatronen bestimmt. Die Verwendung selbstgeladener, neuerlich geladener, „umgearbeiteter“ oder nicht handelsüblicher Munition kann schwere Störungen zur Folge haben, die sowohl für den Schützen als auch für andere ein Sicherheitsrisiko darstellen.**



## Betriebsanleitung

### STEYR MANNLICHER CL II STEYR MANNLICHER CL II LIGHT STEYR MANNLICHER CL II SX STEYR MANNLICHER CL II VARMINT

#### Vorwort

Diese Bedienungsanleitung und die darin enthaltenen Warnhinweise müssen vor Inbetriebnahme und Einsatz des Gewehres unbedingt gelesen und verstanden werden. Sie macht den Benutzer mit der Funktion und Handhabung der Waffe vertraut und enthält Warnungen vor möglichen Gefahren, die durch falsche Bedienung oder Handhabung auftreten und zu Unfällen oder Verletzungen führen können. Diese Bedienungsanleitung sollte immer mit der Waffe mitgeführt werden. Dies gilt auch für den Besitzerwechsel oder sonstige Überlassung.

Diese Bedienungsanleitung stellt keinen Ersatz für eine Sicherheits-schulung im Umgang mit einer Waffe dar!

Copyright STEYR MANNLICHER GmbH  
Alle Rechte vorbehalten.



**STEYR MANNLICHER GmbH**  
Ramingtal 46  
4442 Kleinraming / Austria  
[office@steyr-mannlicher.com](mailto:office@steyr-mannlicher.com)  
[www.steyr-mannlicher.com](http://www.steyr-mannlicher.com)

## Normen und Zertifikate

STEYR MANNLICHER Waffen werden konform nach den Richtlinien von EN ISO 9001 : 2008, C.I.P. gefertigt und durch das Österreichische Bechussamt Wien geprüft und freigegeben.

DNV-GL

# MANAGEMENT SYSTEM ZERTIFIKAT

---

Zertifikat-Nr.: DNV-GL-2012-143-001-04001	Datum der Erstverleihung: 23. Juni 2012	Gültig: 27. August 2012 - 26. August 2015
--	--	--

Hiermit wird bescheinigt, dass das Unternehmen

**Steyr Mannlicher GmbH**  
Ramingtal 46, 4442 Kleinraming, Österreich



**STEYR  
MANNLICHER**

COUNT ON IT

ein Qualitäts-Managementsystem in Übereinstimmung mit dem folgenden Standard eingeführt hat und anwendet:

**ISO 9001:2008**

Dieses Zertifikat ist gültig für die folgenden Produkt- oder Dienstleistungsbereiche:  
**Entwicklung, Herstellung und Vertrieb von Jagd- und Behördenwaffen**

Get und Datum:  
Essen, 24. Juli 2012



Deutscher  
Akreditierungsstelle  
D-ZM-18453-01-00

Zertifizierungsstelle:  
DNV-GL - Business Assurance  
Schilleringhof 14, 45329 Essen, Germany

*Thomas Beck*  
Leiter Zertifizierungsstelle

---

Bei Verstoß gegen die in Zertifizierungsgewehr genannten Bedingungen kann das Zertifikat widerrufen werden.  
DNV-GL-2012-143-001-04001 ist ein DNV-GL-Zertifikat für einen Zertifizierungs- und Zertifizierten Bereich (ZMB), Schilleringhof 14, 45329 Essen, Germany.  
Tel.: +49 203 1206 2222 www.dnv-gl.com/assessments

## Inhaltsverzeichnis

1. Besondere Maßregeln und Warnhinweise .....	6
2. Technische Beschreibung .....	13
3. Technische Daten .....	14
4. Maßnahmen vor dem Schießen .....	15
5. Sicherungen .....	16
6. Abzug .....	18
6.1 Rückstecher .....	18
6.2 Druckpunktanzug .....	19
7. Magazin herausnehmen .....	20
8. Magazin füllen und einsetzen .....	21
9. Laden / entladen .....	23
10. Verschluss herausnehmen .....	26
11. Verschluss in das Gehäuse einführen .....	27
12. Waffe entspannen .....	28
13. Zerlegen der Waffe .....	29
14. Verschluss zerlegen und zusammenbauen .....	30
15. Visierung einstellen .....	32
16. Zielfernrohrmontage .....	33
17. Reinigung und Pflege .....	35
18. Service .....	40
19. Zubehör .....	40
20. Behebung von Störungen .....	41
21. Anschließen eines neuen Laufes .....	44
22. Ersatzteilliste .....	47

## 1. Besondere Maßregeln und Warnhinweise

### Einleitung

Nichtbeachtung der in dieser Bedienungsanleitung beschriebenen Sicherheitsbestimmungen kann zu Sachschäden und Verletzungen, unter Umständen mit tödlichem Ausgang, führen.

### **VORSICHT!**

Lesen Sie bitte vor dem Laden und Auslösen eines Schusses die vorliegende Bedienungsanleitung sorgfältig durch. Sie enthält grundlegende Hinweise hinsichtlich Funktion und richtiger Handhabung der Waffe. Beachten Sie bitte immer, dass Ihre eigene Sicherheit und auch die Sicherheit anderer (einschließlich Ihrer Familie) davon abhängen kann, dass Sie diese Sicherheitsbestimmungen genau befolgen und beim Umgang mit Ihrer Waffe immer die Grundsätze für eine SICHERE HANDHABUNG befolgen und einhalten.

Falls sie im Umgang mit Waffen nicht vertraut sein sollten, besuchen sie einen entsprechenden Lehrgang. Solche Lehrgänge werden vom Waffenhandel, lizenzierten Trainern usw. angeboten.

### **VORSICHT!**

Es besteht die Möglichkeit, dass sich noch eine Patrone im Lauf befindet, wenn ein geladenes oder leeres Magazin abgenommen oder eingesetzt wird. Falls sich eine Patrone im Lauf befindet, wird diese bei ziehen des Abzuges mit eingesetztem oder abgenommenem Magazin gezündet. Der Benutzer darf die Waffe daher nie unbeaufsichtigt lassen. Selbst wenn das Magazin abgenommen wurde muss die Waffe auch nach dem entfernen des Magazins mit besonderer Vorsicht gehandhabt werden. Der Benutzer muss sich vor dem zerlegen zur Reinigung oder zu einem anderen Zweck persönlich überzeugen, dass der Lauf leer ist.

** VORSICHT!**

Bei unachtsamer oder falscher Handhabung einer Handfeuerwaffe kann es zu einer unbeabsichtigten Schussabgabe kommen, die tödliche oder andere schwere Verletzungen und/oder Sachschäden zur Folge haben könnte.

**Sicherheitsbestimmungen**

Wir möchten, dass Sie Spaß beim Schießen mit Ihrer Waffe haben und möchten aber auch, dass Sie dieses Vergnügen auf sichere Art genießen können. Sie mögen ein erfahrener Schütze sein, der mit den in dieser Bedienungsanleitung beschriebenen Handgriffen bereits vertraut ist. Es könnte aber auch sein, dass Sie bisher noch keine Erfahrung im Umgang mit Waffen hatten. Wir bitten Sie aber eindringlich, in jedem Fall **die Bedienungsanleitung in vollem Umfang durchzulesen**. Die darin beschriebenen Sicherheitsbestimmungen müssen in jedem Fall zu ihrer eigenen Sicherheit und zur Sicherheit anderer unbedingt befolgt werden.

** VORSICHT!**

**MANNLICHER** Gewehre verfügen über verschiedene eingebaute Vorrichtungen und mechanische Sicherungen, die eine ungewollte Schussabgabe mit der Waffe durch unbeabsichtigtes Fallenlassen oder durch einen Schlag auf die Mündung oder den Vorder- oder Hinterteil der Waffe verhindern sollen. Zur Vermeidung der Gefahr möglicher Unfälle ist daher für den Benutzer unter allen Umständen größtmögliche Vorsicht und eine genaue Befolgung und Beachtung der Sicherheitsbestimmungen und anderer Verhaltensregeln in dieser Bedienungsanleitung geboten. Wie bei jedem anderen mechanischen Gerät kann es unter extremen Bedingungen oder bei Einwirkung extremer Kräfte, welche unter normalen Umständen nicht auftreten, zu einem teilweisen versagen oder einer Fehlfunktion kommen. Die richtige und sichere Funktion dieser Waffe kann nur unter der Voraussetzung gewährleistet werden, das keine Teile geändert oder modifiziert werden und die Waffe nur für die vorgesehenen Zwecke verwendet wird.

** VORSICHT!**

Falls eine der Sicherheitsvorrichtungen der Waffe aus irgendeinem Grund nicht funktionsfähig sein sollte, besteht die GEFAHR einer unbeabsichtigten Lösung eines Schusses. Die Waffe muss in einem solchen Fall sofort entladen und für jeden weiteren Gebrauch gesperrt werden. Stellen sie vor jedem weiteren Einsatz ihrer Waffe sicher, dass diese durch eine von STEYR MANNLICHER bevollmächtigte Fachwerkstätte entsprechend instandgesetzt und geprüft wurde!

**Allgemeine Vorsichtsmaßnahmen**

- 1 Handhaben sie ihre Waffe immer so, als ob sie geladen wäre; auf diese Weise kann eine ungewollte Schussabgabe verhindert werden.
- 2 Richten sie die Waffe niemals auf ein Ziel, auf das sie nicht schießen wollen.
- 3 Vertrauen sie nie darauf, das eine Waffe nicht geladen sei. Überzeugen sie sich selbst - ohne Finger am Abzug und mit der Mündung in eine sichere Richtung gerichtet.
- 4 Überzeugen sie sich immer, das Lauf und Verschluss frei von Hindernissen (Schadhafter Munition, Geschoss- Stecker) sind. Etwaige Hindernisse sind sofort zu beseitigen, um die richtige und sichere Funktion der Waffe sicherzustellen. Jegliches Hindernis in der Laufbohrung kann zu einer Zerstörung der Waffe, zu schweren Verletzungen oder zum tödlichen Ausgang für den Schützen oder Personen, welche sich neben der Waffe befinden, führen.
- 5 Legen sie den Finger niemals auf den Abzug und drücken sie niemals den Abzug, solange die Mündung nicht auf das Ziel gerichtet ist, und sie beschlossen haben, einen Schuss abzugeben.
- 6 **Aufbewahrung:**  
Entladen sie die Waffe wie beschrieben, überzeugen sie sich sodann, das die Waffe auch tatsächlich ungeladen ist (Lauf leer, Magazin abgenommen). Bewahren sie die Waffe im entsprechenden Sicherungszustand auf.

- 7 Schießen sie nie auf harte Oberflächen wie Steine oder Felsen oder auf die Oberfläche einer Flüssigkeit wie etwa Wasser. Das Geschoss könnte durch den Abprall in eine ungewollte Richtung gelenkt werden und sie selbst oder ein anderes, von ihnen nicht eingesehenes Ziel treffen.
- 8 Überzeugen sie sich, bevor sie eine Schießübung beginnen immer, das eine entsprechende Auffangvorrichtung für ihre Geschosse vorhanden ist, damit sie keine Ziele außerhalb des Schießstandes treffen.
- 9 Überzeugen sie sich vor dem Ziehen des Abzuges immer, dass sie ihr Ziel und das dahinter liegende Gelände genau kennen. Ein Geschoss könnte das Ziel durchschlagen oder es verfehlen und bis zu etwa 6,5 km weiterfliegen. Feuern sie keinen Schuss ab, wenn sie nicht absolut sicher sind.
- 10 Falls sie auf einem Schießstand eine Schießübung in Gruppen veranstalten, beauftragen sie immer eine verantwortungsbewusste und zuverlässige Person damit, für entsprechende Disziplin und ausreichende Sicherheitskontrolle zu sorgen, um so die Gefahr von Unfällen zu vermeiden.
- 11 Tragen sie auf einem öffentlichen oder Vereinsschießstand Ihre Waffe immer solange in leerem und offenen Zustand, bis sie mit den Vorbereitungen für die Schussabgabe beginnen. Richten sie die Mündung beim Laden, Abfeuern und Entladen immer gegen die Auffangvorrichtung.
- 12 Lassen sie ihre Waffe niemals unbeaufsichtigt. Unbefugte Personen, vor allem Kinder, könnten die Waffe für ein Spielzeug halten und abfeuern.
- 13 Verwenden sie ihre Waffe niemals, nachdem sie eine Fehlfunktion festgestellt haben, und versuchen sie niemals einen klemmenden Verschluss mit Gewalt zu lösen, da dabei die festgeklemmte Patrone gezündet werden könnte.
- 14 Transportieren sie ihre Waffe immer im ungeladenen Zustand mit aktiver Sicherung.

**15 Fehler beim Abfeuern:**

Im Falle eines Abfeuerungsdefektes halten sie die Mündung immer auf das Ziel gerichtet und warten sie 60 Sekunden. Falls ein Zündungsdefekt (Langsame Zündung) aufgetreten ist, wird der Schuss innerhalb von 60 Sekunden abgefeuert. Falls der Schuss nicht abgefeuert wird, Magazin entfernen, Patrone auswerfen und Zündhütchen überprüfen. Falls die Einschlagkerbe des Schlagstiftes am Zündhütchen nur gering oder außermittig ist oder sich gar keine Einschlagkerbe erkennen lässt, ist die Waffe in einer Fachwerkstätte überprüfen zu lassen. Falls die Einschlagkerbe des Schlagstiftes am Zündhütchen normales Aussehen hat (im Vergleich zu ähnlichen zuvor abgefeuerten Patronen) ist ein Munitionsfehler anzunehmen. In diesem Fall ist die Patrone auszusondern, und es kann eine neue Patrone geladen und das Schießen fortgesetzt werden.

**Hinweis: Defekte Munition ist gemäß den Richtlinien des Munitionsherstellers zu entsorgen.**

- 16 Feuern sie ihre Waffe niemals in der Nähe eines Tieres ab, das nicht an das Schussgeräusch gewöhnt ist. Das Tier könnte sich durch die Schreckreaktion verletzen oder einen Unfall verursachen.
- 17 Achten sie darauf, niemals mit feuerbereiter Waffe zu wandern, zu klettern, einem Begleiter zu folgen oder zu jagen.
- 18 Der Konsum von Alkohol und Drogen ist vor oder während des Schiessens unbedingt zu vermeiden, da Alkohol und Drogen Ihr Seh- und Urteilsvermögen stark beeinträchtigen und so zu Gefahren bei der Handhabung der Waffe führen können.
- 19 Falls sie Medikamente verwenden, fragen sie immer ihren Arzt um Rat, ob durch diese Medikamente Ihre Fähigkeit, die Waffe sicher abzufeuern und zu handhaben, beeinträchtigt sein könnte.



- 20 Tragen sie beim Schießen immer einen geeigneten Gehörschutz, vor allem am Schießstand. Ohne Gehörschutz kann das Schussgeräusch ihrer eigenen Waffe und anderer in ihrer unmittelbaren Nähe abgefeuerter Waffen zu einem einige Zeit anhaltenden „Rauschen“ im Ohr und langfristig zu bleibenden Gehörschäden führen.
- 21 Bevor sie die Waffe reinigen, mit ihr verreisen oder einer anderen Person übergeben, überzeugen sie sich immer, dass sie nicht geladen ist und dass der Verschluss in offener Stellung und das Magazin entfernt ist.
- 22 Tragen sie zum Schutz ihrer Augen beim Schießen immer eine Schutzbrille.
- 23 Halten sie sich und andere Personen von der Auswurföffnung der Waffe fern, da die leeren Patronenhülsen beim Auswerfen zu Verletzungen führen könnten. Legen sie ihren Finger niemals in die Auswurföffnung oder auf den betriebswarmen Verschluss und Lauf, da das heiße Metall zu Verbrennungen führen könnten.
- 24 Verwenden sie nur im Handel erhältliche Qualitätsmunition in einwandfreiem Zustand und in dem für ihre Waffe vorgesehenen Kaliber. Bei Verwendung von nach- oder selbstgeladener Munition erlöschen alle Garantieansprüche, da es nicht möglich ist die Einhaltung der Qualitätsstandards (CIP/SAAMI/NATO) zu überprüfen, weil für nachgeladene oder qualitativ minderwertige Munition unter Umständen keine Qualitätsnormen (CIP/SAAMI/NATO) erforderlich sind, die festgelegten Grenzwerte überschritten werden und die Sicherheit nicht gewährleistet werden kann.
- 25 Ziehen sie niemals den Abzug, solange der Verschluss nicht vollständig verriegelt ist.

** VORSICHT!**

Tragen sie ihre Waffe nie in feuerberePosition Zustand. Ein Tragen der Waffe in diesem Zustand gilt nicht als für zivile Zwecke empfohlene Form der sicheren Handhabung.

** VORSICHT!**

Um die Gefahr einer unbeabsichtigten Schussabgabe (und damit von Personen- und Sachschäden) zu vermeiden, sollte scharfe Munition erst unmittelbar vor dem Abfeuern der Waffe geladen werden.

**Besondere Vorsichtsmaßnahmen in Bezug auf Kinder**

- 1 Bewahren sie ihre Waffe und die Munition immer in getrennten und versperrten Behältern außerhalb der Sicht- und Reichweite von Kindern auf.
- 2 Lehren sie den Kindern immer einen vorsichtigen und respektvollen Umgang mit Waffen.
- 3 Lassen sie ihre Waffe nie unbeaufsichtigt. Unbefugte Personen, vor allem Kinder, könnten die Waffe für ein Spielzeug halten und sie abfeuern.
- 4 Bewahren sie ihre Waffe immer im ungeladenen Zustand mit aktiver Sicherung auf. Das Gleiche gilt für den Transport der Waffe.

## 2. Technische Beschreibung

### STEYR MANNLICHER CL II STEYR MANNLICHER CL II LIGHT

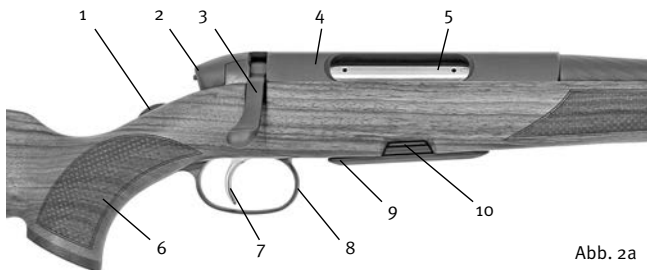


Abb. 2a

### STEYR MANNLICHER CL II SX STEYR MANNLICHER CL II VARMINT

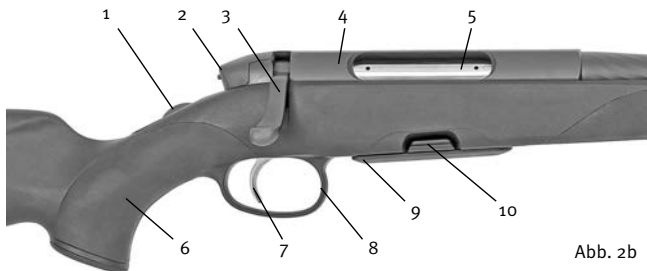


Abb. 2b

- |   |                 |   |             |    |         |
|---|-----------------|---|-------------|----|---------|
| 1 | Sicherung       | 5 | Auszieher   | 9  | Magazin |
| 2 | Verschlusskappe | 6 | Schaft      | 10 | Drücker |
| 3 | Kammergriff     | 7 | Zügel       |    |         |
| 4 | Gehäuse         | 8 | Abzugsbügel |    |         |

### 3. Technische Daten

Kaliber*	22-250 Rem., 243 Win., 308 Win., 7mm-08 Rem, 7x64, 270 Win., 30-06 Spr., 8x57 JS, 9.3x62
Magnumkaliber	7mm Rem. Mag., 300 Win. Mag., 300 Weath. Mag., 270 WSM, 300 WSM, 8x68S

#### Gesamtlänge der Waffe:

Halbschaft STEYR MANNLICHER CL II (barrel 558 mm)	1115 mm / 43.9"
Halbschaft STEYR MANNLICHER CL II LIGHT	-
Halbschaft STEYR MANNLICHER CL II SX	-
Halbschaft STEYR MANNLICHER CL II VARMINT	-
Ganzschaft STEYR MANNLICHER CL II	-
STEYR MANNLICHER CL II Semi Weight	-
Gesamthöhe (mit Visierung)	140 mm / 5.5"
Gesamtbreite (Schaft)	53 mm / 2.1"

#### Lauflänge

STEYR MANNLICHER CL II	508, 558, 635 mm / 20, 22, 25"
STEYR MANNLICHER CL II LIGHT	508 mm / 20"
STEYR MANNLICHER CL II SX	508, 558, 635 mm / 20, 22, 25"
STEYR MANNLICHER CL II VARMINT	600 mm / 23,6"
STEYR MANNLICHER CL II Full stock	508 mm / 20"
STEYR MANNLICHER CL II Semi Weight	508 mm / 20"

\* Jede, den international gültigen Normen (inkl. NATO) entsprechende Munition kann verwendet werden.

**Gesamtgewicht** (abhängig von Kaliber, Schaft bzw. Schaftform, ohne Zielfernrohr)

STEYR MANNLICHER CL II (barrel 558 mm)	ca. 3,4 kg / 7,5 lbs.
STEYR MANNLICHER CL II LIGHT	-
STEYR MANNLICHER CL II SX	-
STEYR MANNLICHER CL II VARMINT	-
STEYR MANNLICHER CL II Full stock	-
STEYR MANNLICHER CL II Semi Weight	-

#### 4. Maßnahmen vor dem Schießen

Vor dem Schießen ist lediglich der Lauf zu entölen und trocken zu wischen (siehe auch Kapitel 17). Falls Sie die Waffe fabriksverpackt erhalten, muss der Verschluss wie unter Kapitel 11 beschrieben, in das Gehäuse eingesetzt werden.

## 5. Sicherungen



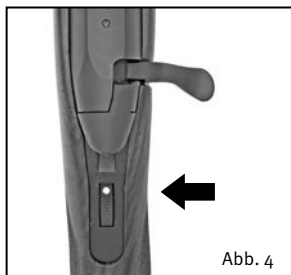
Die Sicherung kann nur betätigt werden, wenn die Waffe gespannt oder der Kammergriff geöffnet ist!

Die „2 + 1 Stellsicherungs“ von STEYR MANNLICHER

**Feuer-Stellung** (Abb. 3)

**⚠ VORSICHT!**

**Die gespannte Waffe ist feuerbereit wenn der rote Punkt an der Sicherung sichtbar ist. Das Sicherungsrad ist in vorderster Position.**



**Sicherungs-Stellung** (Abb. 4)

Durch Drehen der Sicherung nach hinten bis zum spürbaren Einrasten. Nur der weiße Punkt ist sichtbar. Gleichzeitig ist die Ladestellung erreicht.

In dieser sicheren Stellung wird die Waffe geladen und entladen. Unbeabsichtigte Schussauslösung ist unmöglich.

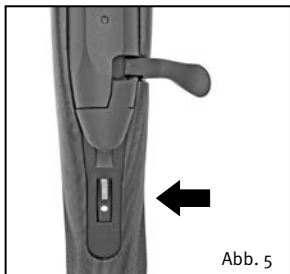


Abb. 5

### Optional Sperr-Stellung (Abb. 5)

Abzug gesichert, Verschluss gegen Öffnen gesichert. Diese Funktionsstellung wird erreicht, indem man mit dem Daumen die Sicherung am Kolbenhals nach hinten dreht bis die graue Sperre einrastet. Die graue Sperre und der weiße Punkt auf der Sicherung sind sichtbar. Die graue Sperre ist bei Dunkelheit auch fühlbar. Der Verschluss kann nicht geöffnet werden.

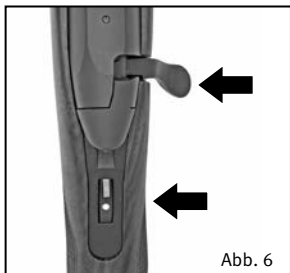


Abb. 6

### Sperr-Stellung + Schlagstiftsicherung (Abb. 6)

Für die „Schlagstiftsicherung“ kann der Kammergriff in der Stellung „Gesperrt“ näher an den Schaft geschwenkt werden und nimmt eine transportgerechte Stellung ein. In dieser Stellung sind der Kammergriff und der Schlagstift gesperrt. Durch Drehen des Sicherungsrades springt der Kammergriff selbsttätig in die Arbeitsposition.

## 6. Abzug

Standardmäßig wird die STEYR MANNLICHER CL II / LIGHT mit Rückstecher geliefert, die STEYR MANNLICHER CL II SX / VARMINT mit Druckpunktabzug. Es ist möglich, das Gewehr nachträglich auf das jeweils andere Abzugssystem umzurüsten.

### 6.1 Rückstecher

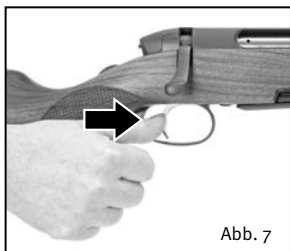


Abb. 7

Zum Einstechen ist das Zügel gegen den Federdruck nach vorne zu drücken.

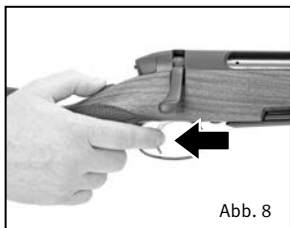


Abb. 8

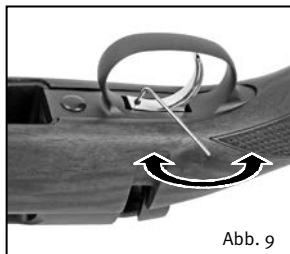
Durch Antippen des Abzuges springt dieser in die Ausgangslage zurück, wodurch der Schuss ausgelöst wird. Ungestochen ist der Rückstecher als Flintenabzug zu benutzen.

#### **Entspannen des Rückstechers:**

Bei gespanntem Rückstecher die Sicherung in Sperr-Stellung (Abb. 5) drehen. Der Rückstecher wird dadurch automatisch entspannt.



## Einstellmöglichkeiten des Rückstechers:



### **⚠ VORSICHT!**

Nur Einstellen der Rückstecher-Auslösekraft durch den Anwender. Alle übrigen Einstellungen nur durch autorisiertes Fachpersonal.

### **⚠ VORSICHT!**

Wird die Schraube zu weit gedreht, kann nicht mehr eingestochen werden.

Dreht man die Schraube am Zügel mit einem Sechskant-Schraubendreher 1,5 hinein, wird der Abzugswiderstand geringer.

Dreht man die Schraube heraus, wird der Abzugswiderstand stärker.

## 6.2 Druckpunktabzug

### **⚠ VORSICHT!**

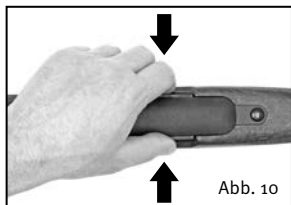
Alle Einstellungen des Druckpunktabzugs dürfen nur durch STEYR MANNLICHER autorisiertes Fachpersonal durchgeführt werden.

Bei der Auslieferung ab Werk ist der Druckpunktabzug optimal eingestellt. Vom Schützen brauchen daher keine Veränderungen (Einstellungen) vorgenommen werden.

## 7. Magazin herausnehmen

### **VORSICHT!**

Der Laderaum Ihres Gewehres ist nur für ein ganz bestimmtes Patronenkaliber ausgelegt. Das beigelegte Magazin ist gekennzeichnet mit allen Patronen, die in einem Gewehr mit diesem Magazin verwendet werden können. Es ist wichtig, dass Sie Ihr Magazin nur mit der für Ihr Gewehr passenden Munition laden. Vergleichen Sie immer beim Laden des Magazins das auf dem Patronenhülsenboden vermerkte Kaliber mit dem Ihres Gewehres um die Verwendung der richtigen Patrone sicher zu stellen. Die Verwendung von falscher Munition in Ihrem Gewehr kann zu dessen Zerstörung, schweren oder tödlichen Verletzungen führen.



Mit dem Daumen und Zeigefinger einer Hand die beiden Drücker links und rechts am Magazin bis auf Anschlag gegeneinander drücken und gleichzeitig das Magazin herausziehen.

## 8. Magazin füllen und einsetzen



### Füllen

Patrone auf das Magazin legen und mit dem Daumen hineindrücken.

### Fassungsvermögen des Magazins:

4 Patronen (von den Magnum-Kalibern passen nur 3 Patronen in das Magazin!) Sicherung des Gewehres auf Ladestellung schalten.

## Einsetzen

Das Magazin kann in der Waffe in 2 Positionen arretiert werden:



Abb. 12

### Normalposition

Magazin in den Magazinschacht einsetzen und mit dem Handballen bis zum hörbaren Einrasten hineindrücken. Soll das Magazin lautlos eingesetzt werden, müssen die beiden Drücker gegeneinander gedrückt und das Magazin bis zum Einrasten der Drücker eingeschoben werden. Das eingesetzte Magazin schließt bündig mit dem Schaft ab. Beim Repetieren wird eine Patrone zugeführt.

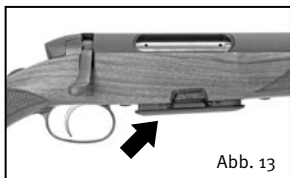
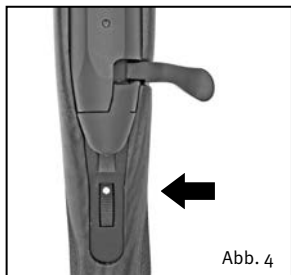


Abb. 13

### Sicherheitsposition

Die beiden Drücker des Magazins gegeneinander drücken und soweit in den Magazinschacht schieben, dass die oberen Nasen der Drücker einrasten. Das Magazin steht gegenüber dem Schaft etwa 5 mm vor. Beim Repetieren wird keine Patrone zugeführt.

## 9. Laden / entladen



### Laden

1. Sicherungsrade des Gewehres auf Sicherungs-Stellung (Abb. 4).
2. Durch 70°-Verdrehen des Kammergriffes nach oben wird der Verschluss entriegelt.
3. Den Verschluss am Kammergriff bis auf Anschlag nach hinten ziehen.
4. Beim Vorschieben des Verschlusses wird eine Patrone aus dem Magazin in das Patronenlager des Laufes eingeführt und durch Verdrehen des Kammergriffes nach rechts das System verriegelt.

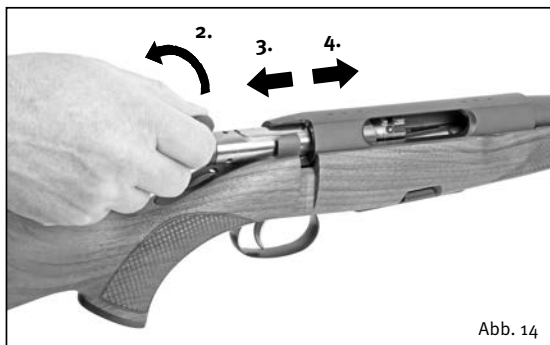




Abb. 3

Erst kurz vor dem Schuss entschichern.

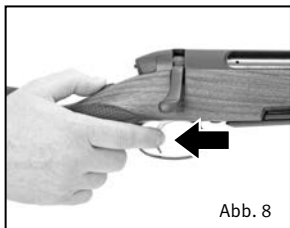


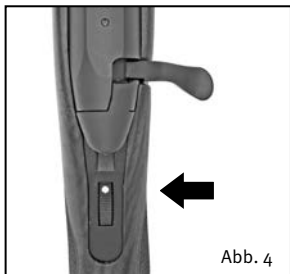
Abb. 8

### Abziehen

Ziehen Sie das Zügel nach hinten, bis der Schuss ausgelöst wird.

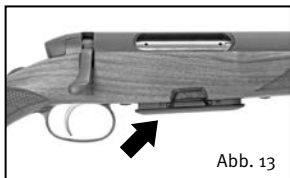
Falls nach dem Schuss ein Nachladen erforderlich ist, den Kammergriff öffnen. Durch Zurückziehen des Verschlusses wird die abgeschossene Patronenhülse ausgezogen und ausgeworfen. Beim Vorschieben der Kammer wird eine neue Patrone in das Patronenlager des Laufes eingeführt. Verschluss durch Verdrehen des Kammergriffes wieder verriegeln. Sicherung auf Stellung gesichert (Abb. 4) drehen.

Die Waffe ist erneut geladen, gespannt und gesichert. Wird das Gewehr entschichert, der Schuss unterbleibt jedoch, ist sofort wieder zu sichern (Abb. 4).



## Entladen

1. Sicherung in die Sicherungsstellung drehen (nur der weiße Punkt ist sichtbar).

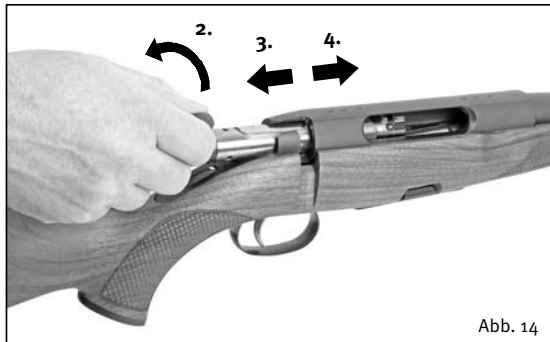


2. Magazin herausnehmen, oder in der Sicherheitsposition arretieren (Magazin steht etwa 5 mm vor).

3. Die im Laderaum des Laufes befindliche Patrone wird durch Öffnen des Kammergriffes und Zurückziehen des Verschlusses ausgezogen und ausgeworfen. Vergewissern Sie sich, dass sich keine Patrone mehr im Laderaum befindet.
4. Schließen Sie den Verschluss.

## 10. Verschluss herausnehmen

Es wird empfohlen, zwecks besserer Laufreinigung den Verschluss aus dem Gehäuse zu nehmen.



1. Kammergriff mit der rechten Hand um 70° nach links drehen (entriegeln).
2. Sicherung in die Sperrstellung drehen (Abb. 5 Graue Sperre springt heraus)
3. Verschluss am Kammergriff aus dem Gehäuse ziehen.



## 11. Verschluss in das Gehäuse einführen

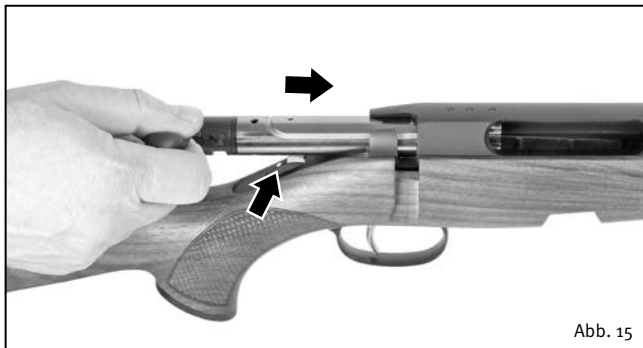


Abb. 15

1. Das Magazin herausnehmen oder in der Sicherheitsposition (Abb. 13) arretieren. Die Waffe ist entladen!
2. Beim Wiedereinführen des Verschlusses in das Gehäuse steht die Sicherung in der Sperr-Stellung (Abb. 5). Den Verschluss am Kammergriff halten und in das Gehäuse einschieben. Dabei den Verschluss so verdrehen, dass der Kammergriff in den Schlitz des Gehäuses gleiten kann.
3. Das Sicherungsrad in die Feuerstellung (Abb. 3) drehen.

## 12. Waffe entspannen



**Es ist verboten die Waffe zu entspannen, wenn sich eine Patrone im Patronenlager des Laufes befindet!**

Die Waffe ist entladen und entsichert. Der Kammergriff ist geöffnet. Abzugzügel durchziehen und festhalten. Kammergriff nach rechts unten schwenken. Der Signalstift an der Verschlusskappe hinten verschwindet. Dies zeigt an, dass die Waffe entspannt ist.

### 13. Zerlegen der Waffe

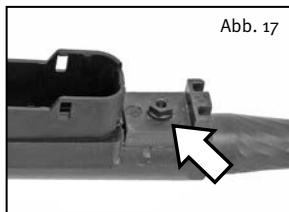
Das vollständige Zerlegen der Waffe durch den Anwender ist weder üblich noch erforderlich. Die beiden Schrauben an der Waffenunterseite verbinden das Waffensystem mit dem Schaft.



Werden diese Schrauben gelöst, müssen sie mit einem Drehmoment-schlüssel (7 Nm) festgezogen werden.

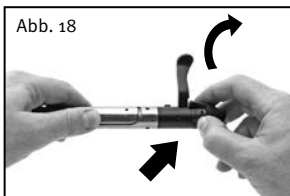
#### **⚠️ ACHTUNG!**

**Wird das System aus der Waffe genommen, so darf die Gewindebüchse an der vorderen Unterseite des Gehäuses nicht gelöst werden. Die Schraube ist ab Werk mit einem Drehmoment 20 Nm festgezogen.**



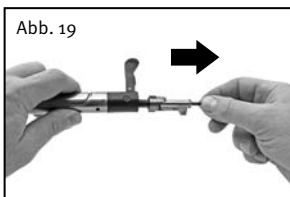
## 14. Verschluss zerlegen und zusammenbauen

Normalerweise muss der Verschluss nicht zerlegt werden. Er ist werkseitig mit einer Dauerschmierung versehen. Eine gelegentliche Inspektion in längeren Zeiträumen durch einen Büchsenmacher Ihres MANNLICHER Vertragshändlers reicht in der Regel als Wartungsmaßnahme aus. Vom Fachmann können Sie sich auch den Zerlegungsvorgang und den Zusammenbau zeigen lassen. Abseits der Zivilisation oder beim technisch interessierten Waffenliebhaber kann es dennoch erforderlich oder wünschenswert sein, den Verschluss zu zerlegen, zu reinigen und zu ölen.



### Zerlegungsvorgang

1. Verschluss in die linke Hand nehmen. Mit dem Daumen der rechten Hand die Sperrklappe hineindrücken und gleichzeitig die Verschlusskappe im Uhrzeigersinn (Pfeilrichtung = Drehrichtung) bis zum hörbaren Entriegeln drehen.



2. Verschlusskappe abnehmen, Schlagstifeinheit aus der Kammer ziehen.

Es können nun alle Teile gereinigt und geölt werden.

Weiteres Zerlegen darf nur vom geschulten Fachpersonal (Büchsenmacher) vorgenommen werden.

** ACHTUNG!**

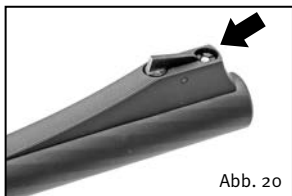
Die Verschlusskappe darf beim Zerlegen nie im Gegenuhrzeigersinn verdreht werden. Der Verschluss lässt sich nicht mehr in das Gehäuse einführen.

**Verschluss zusammenbauen**

1. Verschluss in die linke Hand nehmen und Schlagstifteinheit so in die Kammer einführen, dass die Schlagstiftfahne gegenüber dem Kammergriff steht.
2. Mit der rechten Hand die Führungshülse - bei gleichzeitigem Hineindrücken der Sperrklappe mit dem Daumen - bis auf Anschlag auf die Schlagstiftfahne schieben und die Verschlusskappe im Gegenuhrzeigersinn bis zum Einrasten drehen.

Die Verschlusskappe darf aber nur soweit gedreht werden, dass ihr Abdeckteil mit dem Kammergriff korrespondiert.

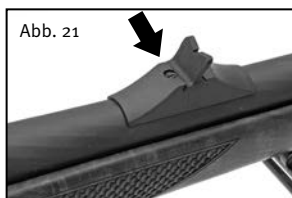
## 15. Visierung einstellen



### Kornhöhe

Stellmutter nach links drehen bewirkt, dass das Korn niedriger wird und die Treffpunktlage nach oben steigt. Durch Rechtsdrehen wird das Korn höher und die Treffpunktlage geht nach unten.

Korn mit dem Daumen nach unten drücken und Stellmutter verdrehen.



### Kimme seitlich

Schraube lockern und die Kimme horizontal verschieben.

Nach links = Treffpunktlage wandert nach links.  
Nach rechts = Treffpunktlage wandert nach rechts.

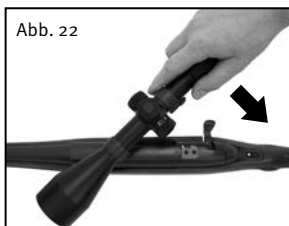
## 16. Zielfernrohrmontage

Es wird empfohlen die original STEYR MANNLICHER Schwenkmontage zu verwenden. Sie gewährleistet eine hohe Schussfestigkeit.

Das Waffengehäuse ist bereits mit Gewindebohrungen versehen, die mit Blindschrauben verschlossen sind (falls das Gewehr ab Werk ohne Zielfernrohr geliefert wird). Das Waffengehäuse ist mit Passflächen zur Aufnahme der original STEYR MANNLICHER Schwenkmontage vorbereitet, die damit ohne großen Zeitaufwand vom Fachmann sehr wirtschaftlich montiert werden kann.

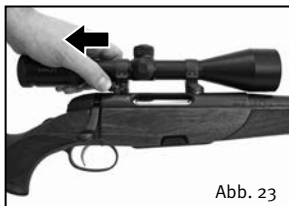
### **VORSICHT!**

**Wegen des geringen Auslösewiderstandes kann es beim gespannten Stecherabzug durch Erschütterungen beim Aufsetzen oder Abnehmen des Zielfernrohres zu einer ungewollten Schussabgabe kommen. Deshalb darf das Zielfernrohr nur bei entladener, entspannter oder gesicherter Waffe abgenommen werden.**



### Zielfernrohr aufsetzen

Das Zielfernrohr mit der rechten Hand erfassen und horizontal in einem Winkel von  $45^\circ$  zur Waffe mit dem vorderen Haltering (bei der Prismenmontage heißt dieser Teil Halteprisma) auf den vorderen Sockel setzen und im Uhrzeigersinn bis zum selbsttätigen Einrasten einschwenken. Der Schieber braucht dabei nicht zurückgezogen zu werden.



### Zielfernrohr abnehmen

Mit der rechten Hand über das Zielfernrohr greifen und den Schieber mit dem Daumen und Zeigefinger zurückziehen, zugleich das Zielfernrohr im Gegenuhrzeigersinn um etwa  $45^\circ$  zur Waffe ausschwenken und abheben.



## 17. Reinigung und Pflege

### **VORSICHT!**

**Vor der Reinigung entladen Sie die Waffe und überprüfen sie auf Sicherheit.**

Die STEYR Gewehre funktionieren über lange Zeit wartungsfrei. Verwenden Sie für die Laufreinigung niemals Stahlbürsten, sondern Seidenwerg oder Watte, die zur Vorreinigung oder zum Einölen hinterher mit einem Spezial-Lauföl oder einem guten Waffenöl zu tränken sind. Spezialmittel zur Entfernung von Geschoßablagerungen sind nach der folgenden Anleitung zu verwenden.

### **ACHTUNG!**

**Reinigen Sie den Lauf stets von hinten nach vorne und ziehen Sie niemals das aus der Mündung ausgetretene Seidenwerg zurück, sondern schrauben Sie den Werghalter vom Reinigungsstock ab. Vermeiden Sie jede noch so geringfügige Veränderung an der Laufmündung. Nach dem Reinigen die Laufbohrung leicht einölen.**

### **ACHTUNG!**

**Bei unsachgemäßer Laufreinigung besteht die Gefahr, dass die zwischen Lauf und Verriegelungsbüchse drehbar eingesetzte Sicherungsbuchse durch Verwendung von zu voluminösen Reinigungsmaterial (Seidenwerg, Watte, Stoff) oder zu große Reinigungsbürsten verdreht wird. Dies hätte zur Folge, dass der Verschluss nach der Reinigung nicht mehr eingeführt und verriegelt werden kann.**

## Reinigung der Laufbohrung (bis Schussbelastung mit bis zu 40 blei-freien Geschossen)

1. Entladen Sie das Gewehr laut Punkt 9 der Betriebsanleitung.
2. Entfernen Sie das Magazin laut Punkt 7 der Betriebsanleitung.
3. Legen Sie das Gewehr horizontal auf eine passende Ablage.
4. Nehmen Sie den Verschluss aus dem Gewehr laut Punkt 10 der Betriebsanleitung.
5. Befestigen Sie einen passenden Putzlappen am Putzlappenhalter auf der sauberen Putzstange.
6. Befeuchten Sie den Putzlappen mit dem Laufreinigungsmittel und schieben diesen vollständig durch den Lauf.

### **ACHTUNG!**

**Ziehen Sie nicht den Putzlappen von der Mündung aus zurück.**

7. Entfernen Sie den Putzlappen von der Putzstange.
8. Entfernen Sie den Putzlappenhalter und befestigen Sie eine passende Bronzebürste an der Putzstange.
9. Nach der empfohlenen Einwirkdauer des Lösungsmittels schieben Sie eine genau passende Bronzebürste in den feuchten Lauf und bewegen diese mehrmals (Vorschlag: für je drei abgegebene Schüsse, jeweils ein vor- und-zurück Zyklus) in beide Richtungen.
10. Ersetzen Sie die Bronzebürste durch den Putzlappenhalter und schieben Sie einen sauberen Putzlappen durch den Laderaum und die Laufbohrung.
11. Entfernen Sie den verschmutzten Putzlappen von der Putzstange.
12. Wiederholen Sie den Vorgang bis der befeuchtete Putzlappen sauber bleibt.

13. Entfernen Sie das verbleibende Laufreinigungsmittel mit einem trockenen Putzlappen.

### **ACHTUNG!**

**Ölen Sie die Laufbohrung und den Laderaum leicht ein, wenn das Gewehr längere Zeit gelagert wird oder in einer korrosionsfördernden Umgebung verwendet wird.**

Vor dem nächsten Schießen entfernen Sie das Öl aus dem Lauf durch nochmaliges Durchziehen, da sonst eine Verlagerung des Treffpunktes möglich ist.

### **Reinigung des Laderaums**

Reinigen Sie den Laderaum mit einer passenden Laderaumbürste oder einem Putzstockaufsatz.

1. Reinigen Sie nach jeder Laderaumreinigung die Laufbohrung um Reinigungsmittel zu entfernen.
2. Entfernen Sie überschüssiges Reinigungsmittel vom Gehäuse und Mündungsstück.

### **Reinigung der Laufbohrung bei starken Geschossablagerungen (nach Schussbelastung mit über 40 bleifreien Geschossen)**

Entfernen Sie starke Geschossablagerungen, wenn Sie eine größere Anzahl (über 40 Schuss) an Schüssen abgegeben haben. Kupferrückstände sind als kupferfarbige Ablagerungen an der Mündung zu sehen, Schwarze Kohlenstoffrückstände befinden sich zwischen den Zügen. Übermäßige Verunreinigungen verursachen eine Gasdruckerhöhung, welche zu Ausziehstörungen, Reduzierung der Präzision und Erhöhung des Sicherheitsrisikos führen. Für die optimale Laufreinigung sind Kupfer- und Kohlenstofflösmittel abwechselnd zu verwenden. Folgen Sie den Herstelleranweisungen in Bezug auf die Anwendung und Einwirkungsdauer.

1. Schieben Sie nach der empfohlenen Einwirkdauer der Lösungsmittel eine Bronzebürste in den feuchten Lauf und bewegen diese mehrmals (Vorschlag: für je drei abgegebene Schüsse, jeweils ein vor und zurück Zyklus) in beide Richtungen.
2. Wechseln Sie die Bronzebürste bei geringem Widerstand gegen eine neue aus.
3. Ersetzen Sie die Bronzebürste durch den Putzlappenhalter und schieben Sie einen sauberen Putzlappen durch die Laufbohrung.

### **ACHTUNG!**

**Ziehen Sie nicht den Putzlappen von der Mündung aus in die Bohrung zurück.**

4. Wiederholen Sie diese Reinigungsprozedur, abwechselnd mit dem Kupfer- und Kohlenstofflösungsmittel (Kupferrückstände erscheinen blau / Kohlenstoffrückstände grau) bis der befeuchtet Putzlappen sauber ist.
5. Entfernen Sie das verbleibende Laufreinigungsmittel mit einem trockenen Putzlappen.
6. Entfernen Sie überschüssiges Reinigungsmittel vom Gehäuse und Mündungsstück.

### **Allgemeine Waffenreinigung**

Die Metall- und Kunststoffteile des Gewehres können auch mit einem normalen Ultraschallprozess ohne Beschädigung gereinigt werden.

Nach dem Säubern ölen Sie alle äußeren Flächen und Teile mit Waffenöl, das Feuchtigkeit unterkriecht und nicht emulgiert ein. Für die Zielfernrohrmontage und alle bewegten Teile haben sich spezielle Dauerschmiermittel bewährt. Halten sie die Zielfernrohrhalterung stets sauber und ölen Sie diese leicht ein. Verwenden Sie generell für die Reinigung andere Öle als für die Konservierung oder Schmierung.

** ACHTUNG!**

Die Verwendung von Waffenpflege- und Reinigungsmitteln, sowie von Insektenschutzmitteln, in denen Lösungsmittel enthalten sind, kann die Kunststoffteile verändern, oder sogar beschädigen.

## 18. Service

Ihre Jagdwaffe wurde vor der Auslieferung mit größter Sorgfalt geprüft. Sollte an der Waffe ein Teileaustausch oder eine Reparatur erforderlich sein, dürfen diese Arbeiten nur von autorisierten Fachleuten durchgeführt werden. Setzen Sie sich mit einem unserer STEYR MANNLICHER Händler in Verbindung.



**Es dürfen nur Original-Ersatzteile eingebaut werden!**

## 19. Zubehör

Zielfernrohre und folgendes originale STEYR MANNLICHER Zubehör können über den Fachhandel bestellt werden.

- - Magazin
- - Druckpunktabzug oder Rückstecher
- - Schaftkappe in drei Längen (10 mm Stufen)

## 20. Behebung von Störungen

Wird das Gewehr ordnungsgemäß gereinigt und gepflegt, funktioniert es sehr zuverlässig. Falls trotzdem Störungen auftreten halten Sie sich an folgenden Ablauf:

- 1 Halten Sie das Gewehr in eine sichere Richtung.
- 2 Sichern Sie das Gewehr (Abb. 11) und entfernen Sie das Magazin.
- 3 Ziehen Sie den Verschluss ganz zurück, um die fehlerhafte Patrone auszuwerfen.
- 4 Bevor Sie eine neue Patrone zuladen, überprüfen Sie den Lauf auf Beschädigung.
- 5 Schieben Sie den Verschluss frei nach vorne.
- 6 Führen Sie das Magazin ein.
- 7 Laden Sie das Gewehr und setzen Sie das Schießen fort.

Tritt die Störung wieder auf, entladen Sie das Gewehr und lassen Sie das Gewehr von einem qualifizierten Büchsenmacher überprüfen.

Nr.	Fehlerart	Ursache	Behebung
1	Zufuhrstörung	a) Patrone nicht richtig eingesetzt b) Laderaum verschmutzt c) Patrone beschädigt	Patrone wechseln oder reinigen Laderaum reinigen Neue Patrone, Kontrolle Laderaum
2	Schließstörung	a) Laderaum oder Verschluss verschmutzt b) Beschädigte Patrone	Reinigung Verschluss- Lauf Neue Patrone
3	Zündstörung	a) Patrone beschädigt (Zündhütchen angeschlagen) b) Schlagbolzen beschädigt oder gebrochen (Zündhütchen nicht oder ungenügend eingedrückt) c) Abzugseinrichtung fehlerhaft	Durch neue Patrone ersetzen. <b>1 min warten</b> und Waffe entladen. <b>1 min warten</b> und Waffe entladen. <b>Nur durch qualifizierten Büchsenmacher:</b> Inspektion und bei Bedarf den Schlagbolzen wechseln. <b>Nur durch qualifizierten Büchsenmacher:</b> Inspektion und Reparatur



Nr.	Fehlerart	Ursache	Behebung
4	Ausziehstörung	Auszieher beschädigt	<b>Nur durch qualifizierten Büchsenmacher:</b> Auszieher wechseln
5	Auswurfstörung	Ausstosser verschmutzt oder beschädigt	<b>Nur durch qualifizierten Büchsenmacher:</b> Ausstosser reinigen oder wechseln.

## 21. Anschießen eines neuen Laufes

Unsere Läufe werden nach modernsten Erkenntnissen unter Verwendung hochwertiger Laufstähle hergestellt. Unsere Waffen zeichnen sich durch eine hervorragende Schussleistung aus. Die Schusspräzision einer Waffe ist aber noch von vielen anderen Faktoren abhängig. Die richtige Schießhaltung, ohne Krafteinwirkung auf den freischwingenden Lauf oder dem Zielgerät und eine nicht extrem harte Gewehrauflage, sind Voraussetzungen für ein optimales Trefferergebnis. Der mit Abstand wichtigste Faktor dabei ist die Munition. Nicht jeder Lauf schießt jede Munition gleich gut, es können erhebliche Leistungsunterschiede bestehen. Auch Munition gleichen Fabrikates kann von Fertigungslos zu Fertigungslos und von Waffe zu Waffe eine unterschiedliche Schussleistung haben. Bei optimal ausgewählter Munition leisten wir Gewähr für hervorragende Schussleistung unserer Waffen. Bei einem neuen Gewehr oder nach einem Laufwechsel sollten mehrere Schüsse zur Erreichung der optimalen Präzision abgegeben werden. Reinigen Sie das Gewehr und die Laufbohrung nach jedem Durchgang wie in Punkt 17 des Inhaltsverzeichnisses beschrieben.

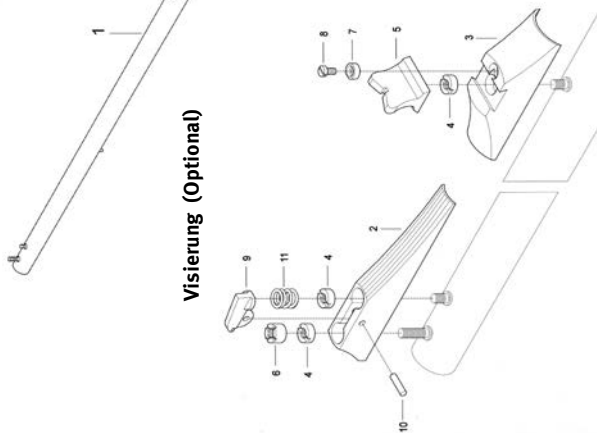
1. Schießen Sie 3 Schuss und reinigen Sie die Laufbohrung laut Punkt 17 Inhaltsverzeichnis
2. Schießen Sie 5 Schuss und reinigen Sie die Laufbohrung laut Punkt 17 Inhaltsverzeichnis
3. Schießen Sie 5 Schuss und reinigen Sie die Laufbohrung laut Punkt 17 Inhaltsverzeichnis
4. Schießen Sie 10 Schuss und reinigen Sie die Laufbohrung laut Punkt 17 Inhaltsverzeichnis

**Wir wünschen Ihnen viel Freude mit Ihrem**

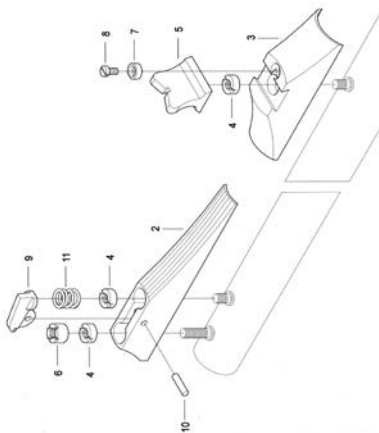
**STEYR MANNLICHER Gewehr**



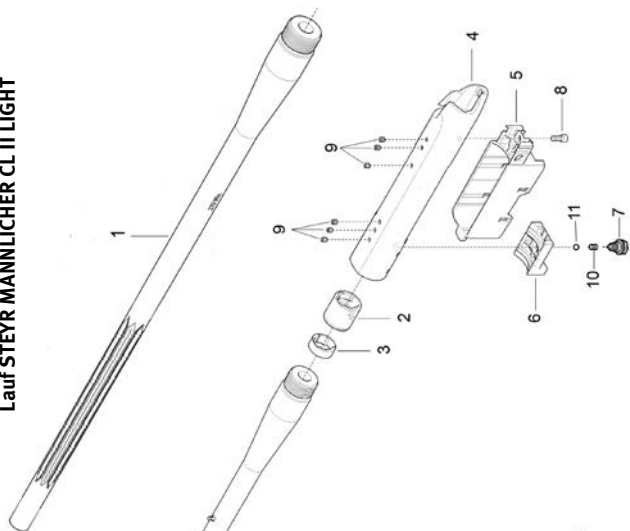
### Lauf STEYR MANNLICHER CL II



### Visierung (Optional)



### Lauf STEYR MANNLICHER CL II LIGHT



## 22. Ersatzteilliste

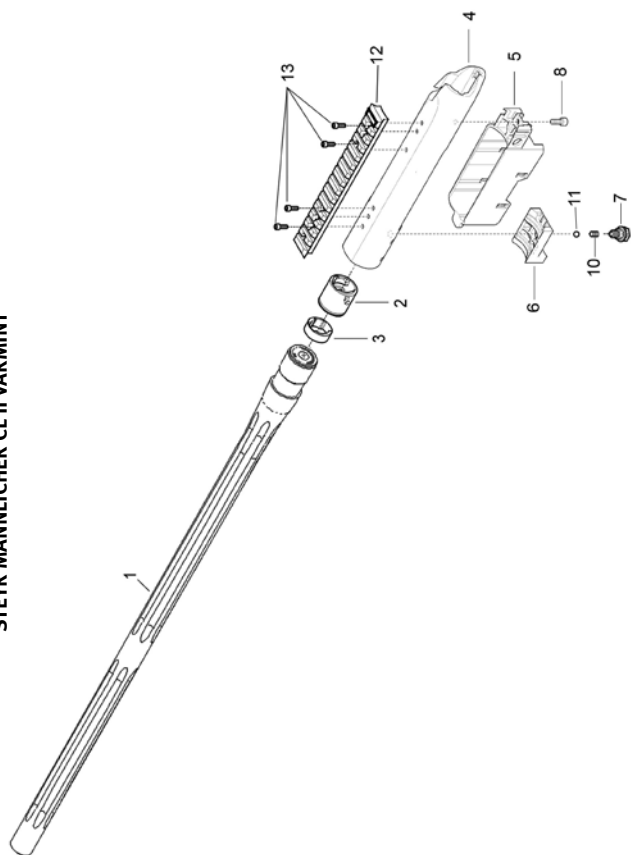
### Gruppe Lauf - Gehäuse STEYR MANNLICHER CL II / LIGHT

Position	Benennung	Anzahl
1	Lauf	1.
2	Verriegelungsbüchse	1.
3	Sicherheitsbuchse	1
4	Gehäuse	1.
5	Magazinführung	1
6	Anlageblock	1
7	Gewindebüchse	1
8	Schraube	1
9	Schraube	6
10	Feder	1
11	Kugel	1

### Visierung

2	Kornsattel	1
3	Visierfuss	1
4	Schlitzmutter	3
5	Visier	1
6	Stellmutter	1
7	Klemmhülse	1
8	Zylinderschraube	1
9	Korn	1
10	Zylinderstift	1
11	Feder	1

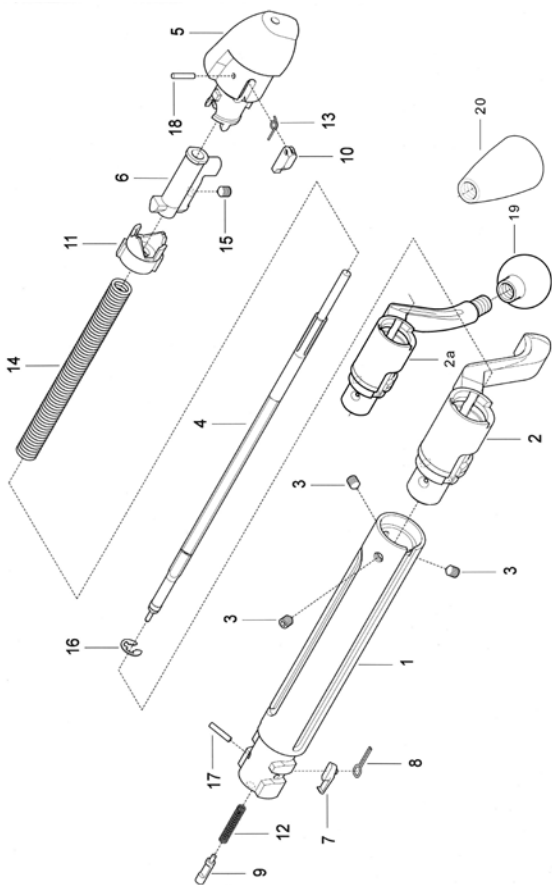
## STEYR MANNLICHER CL II VARMINIT



**Gruppe Lauf - Gehäuse STEYR MANNLICHER CL II VARMINT**

<b>Position</b>	<b>Benennung</b>	<b>Anzahl</b>
1	Lauf	1.
2	Verriegelungsbüchse	1.
3	Sicherheitsbüchse	1
4	Gehäuse	1.
5	Magazinführung	1
6	Anlageblock	1
7	Gewindebüchse	1
8	Schraube	1
10	Feder	1
11	Kugel	1
12	Picatinny Schiene	1
13	Schraube	4

## Gruppe Verschluss

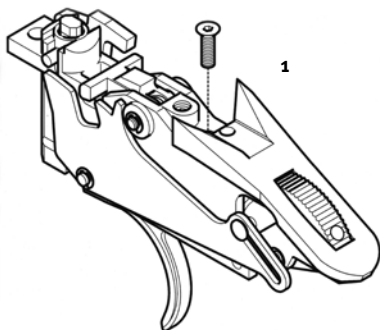




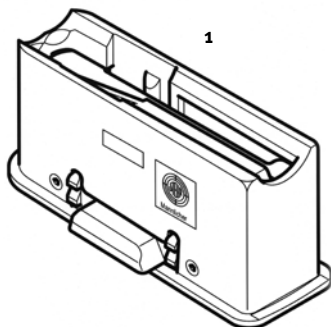
**Gruppe Verschluss**

<b>Position</b>	<b>Benennung</b>	<b>Anzahl</b>
1	Kammer	1
2	Kammergriff	1
2a	Kammergriff SC Sport	1
3	Gewindestift	3
4	Schlagstift	1
5	Verschlusskappe	3
6	Schlagstiftfahne	1
7	Auszieher	1
8	Feder	1
9	Ausstosser	1
10	Sperrklappe	1
11	Kurvenstück	1
12	Druckfeder	1
13	Feder	1
14	Schlagfeder	1
15	Gewindestift	1
16	Sicherungsscheibe	1
17	Spannstift	1
18	Spannstift	1
19	Kammergriff SCOUT	1
20	Handgriff	1

## Gruppe Abzug



## Gruppe Magazin



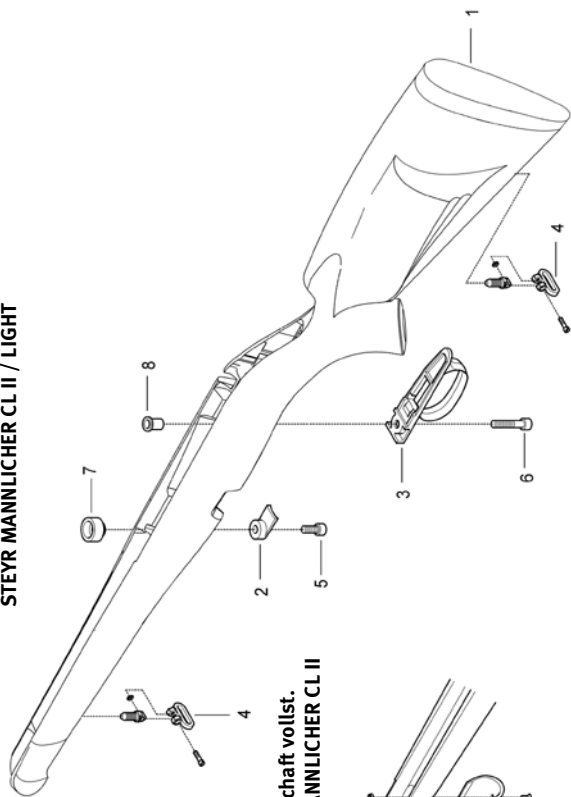
**Gruppe Abzug**

<b>Position</b>	<b>Benennung</b>	<b>Anzahl</b>
1	Druckpunktabzug	1
1	Rückstecher	1

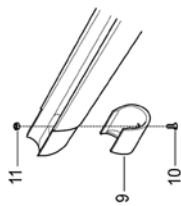
**Gruppe Magazin**

1	Magazin	1
---	---------	---

**Halbschaft vollst.  
STEYR MANNLICHER CL II / LIGHT**



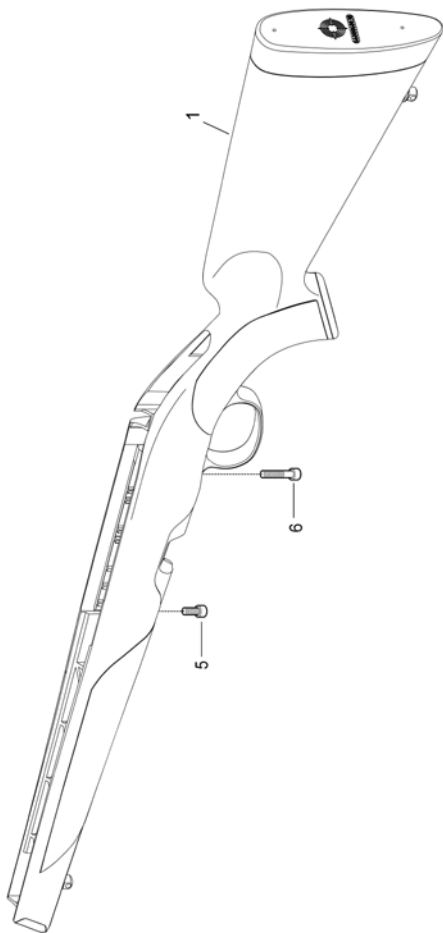
**Ganzschaft vollst.  
STEYR MANNLICHER CL II**



**Gruppe Schaft CL II**

<b>Position</b>	<b>Benennung</b>	<b>Anzahl</b>
1	Halbschaft vollst.	1
1	Ganzschaft vollst.	1
2	Schraubenauflage	1
3	Abzugbügel	1
4	Riemenbügel vollst.	2
5	Zylinderschraube vorne	1
6	Zylinderschraube hinten	1
7	Distanzhülse vorne	1
8	Distanzhülse hinten	1
9	Vorderschaftsabschluss	1
10	Schraube vorders.	1
11	Mutter vordes.	1

Halbschaft  
STEYR MANNLICHER CL II SX / VARMINT



**Gruppe Schaft**

<b>Position</b>	<b>Benennung</b>	<b>Anzahl</b>
1	Schaft vollst.	1
5	Zylinderschraube vorne	1
6	Zylinderschraube hinten	1

## Notizen