





**TRAILBLAZER® FIREARMS**  
INSTRUCTION MANUAL FOR THE

# **LIFECARD® .22LR**



## **WARNING!**

PLEASE READ AND UNDERSTAND THIS INSTRUCTION MANUAL BEFORE TAKING THE PISTOL OUT OF THE BOX. IT IS VITAL TO YOUR SAFETY AND TO THE SAFETY OF OTHERS THAT YOU ACCURATELY FOLLOW THE INFORMATION CONTAINED IN THIS MANUAL, AS WELL AS THE INFORMATION SUPPLIED BY THE AMMUNITION MANUFACTURER. IF YOU HAVE ANY QUESTIONS, PLEASE CALL 828-676-3111, EMAIL [INFO@TRAILBLAZERFIREARMS.COM](mailto:INFO@TRAILBLAZERFIREARMS.COM), OR WRITE TRAILBLAZER FIREARMS, 800 FAIRVIEW ROAD, SUITE 132, ASHEVILLE, NC 28803

**TRAILBLAZERFIREARMS.COM**

## STATE-BY-STATE WARNINGS

Certain states require by law that, with firearms sold in that state, their own specified warning notices, in larger-than-normal type, be conspicuously included by the manufacturer, distributor, or retailer. Because our products may be sold in these states we included the following:

NOT FOR SALE IN CALIFORNIA OR MASSACHUSETTS.

**Connecticut:** "UNLAWFUL STORAGE OF A LOADED FIREARM MAY RESULT IN IMPRISONMENT OR FINE."

**Florida:** "IT IS UNLAWFUL, AND PUNISHABLE BY IMPRISONMENT AND FINE, FOR ANY ADULT TO STORE OR LEAVE A FIREARM IN ANY PLACE WITHIN THE REACH OR EASY ACCESS OF A MINOR UNDER 18 YEARS OF AGE OR TO KNOWINGLY SELL OR OTHERWISE TRANSFER OWNERSHIP OR POSSESSION OF A FIREARM TO A MINOR OR A PERSON OF UNSOUND MIND."

**Maine:** "ENDANGERING THE WELFARE OF A CHILD IS A CRIME. IF YOU LEAVE A FIREARM AND AMMUNITION WITHIN EASY ACCESS OF A CHILD, YOU MAY BE SUBJECT TO FINE, IMPRISONMENT, OR BOTH. KEEP FIREARMS AND AMMUNITION SEPARATE. KEEP FIREARMS AND AMMUNITION LOCKED UP. USE TRIGGER LOCKS."

**Maryland:** "WARNING: Children can operate firearms which may cause death or serious injury. It is a crime to store or leave a loaded firearm in any location where an individual knew or should have known that an unsupervised minor would gain access to the firearm. Store your firearm responsibly!"

**New Jersey:** "IT IS A CRIMINAL OFFENSE TO LEAVE A LOADED FIREARM WITHIN EASY ACCESS OF A MINOR."

**New York City:** "THE USE OF A LOCKING DEVICE OR SAFETY LOCK IS ONLY ONE ASPECT OF RESPONSIBLE FIREARM STORAGE. FOR INCREASED SAFETY, FIREARMS SHOULD BE STORED UNLOADED AND LOCKED IN A LOCATION THAT IS BOTH SEPARATE FROM THEIR AMMUNITION AND INACCESSIBLE TO CHILDREN AND OTHER UNAUTHORIZED PERSONS."

**North Carolina:** "IT IS UNLAWFUL TO STORE OR LEAVE A FIREARM THAT CAN BE DISCHARGED IN A MANNER THAT A REASONABLE PERSON SHOULD KNOW IS ACCESSIBLE TO A MINOR."

**Texas:** "IT IS UNLAWFUL TO STORE, TRANSPORT, OR ABANDON AN UNSECURED FIREARM IN A PLACE WHERE CHILDREN ARE LIKELY TO BE AND CAN OBTAIN ACCESS TO THE FIREARM."

**Wisconsin:** "IF YOU LEAVE A LOADED FIREARM WITHIN THE REACH OR EASY ACCESS OF A CHILD, YOU MAY BE FINED OR IMPRISONED OR BOTH IF THE CHILD IMPROPERLY DISCHARGES, POSSESSES, OR EXHIBITS THE FIREARM."

Please check with your licensed retailer or state police for additional warnings which may be required by local law or regulation. Such regulations change constantly, and local authorities are in the best position to advise you on such legal matters.

Thank you for purchasing the **LIFECARD®** .22LR single-shot pistol. We are extremely proud of our product and hope that it will exceed your expectations. Our firearms are made with pride here in the USA. Before shipping from our manufacturing facility, the pistol was inspected and test fired. This booklet provides important safety information. Please read the entire booklet prior to loading or firing the pistol. We have also provided a padlock to ensure safe storage of the pistol when not in use. Pictures and instructions for locking the pistol are found on the following pages. It is your responsibility to ensure safe storage and operation of the pistol. Please do not hesitate to contact us if you have any questions regarding the handling or storage of the pistol.

## **STATEMENT OF LIABILITY:**

### **FIREARMS SAFETY IS YOUR RESPONSIBILITY**

#### **WARNING!**

### **UNCONTROLLED SHOT DISCHARGE WITH THIS PISTOL CAN LEAD TO POSSIBLE DEATH OR SERIOUS INJURY**

PISTOLS are classified as FIREARMS and are sold by us with the specific understanding that we are not responsible in any manner whatsoever for their safe handling or resale under local laws and regulations. Trailblazer® Firearms shall not be responsible in any manner whatsoever for malfunctioning of the firearm, for physical injury, or for property damage resulting in whole or in part from

1. Criminal or negligent discharge,
2. Improper or careless handling,
3. Unauthorized modifications,
4. Defective, improper, hand-loaded, or reloaded ammunition,
5. Corrosion,
6. Neglect, or
7. Other influences beyond our direct and immediate control.

This limitation applies regardless of whether liability is asserted on the basis of contract, negligence, or strict liability (including any failure to warn).

Under no circumstances shall Trailblazer® Firearms be liable for incidental or consequential damages, such as loss of use of property, commercial loss, or loss of earnings or profits.

## SAFETY REGULATIONS

- Never use the pistol while under the influence of drugs or alcohol, while ill, or suffering other such difficulties. These conditions can impair your judgment and/or reflexes.
- **Always think of the pistol as being loaded and ready to fire** until you have established the opposite through the unloading procedure.
- **Always keep the muzzle of the pistol in a safe direction** with all handling. A safe direction is towards an area where there are no people, other life forms, or property that is not a recognized target.
- Never point the pistol at doors, panes of glass, walls, concrete, stone, or flat surfaces (water included). A bullet can penetrate such surfaces or be ricocheted in an unsafe direction.
- **Never aim at yourself or other life forms.**
- Never rely on safety mechanisms alone. Safety mechanisms are not a substitute for careful, correct, and secure handling of the pistol.
- Always treat the pistol as if the safety mechanisms were not functioning. The best safety precaution is a correct, well-trained, and safe handling of the pistol.
- Never shoot with a pistol which has been penetrated by water, sand, dirt, or other foreign bodies.
- Never de-cock the pistol by holding onto the recessed sides of the bolt and pulling the trigger at the same time.
- Never let a loaded pistol out of your hand.
- Always unload the pistol immediately after firing and before putting the pistol away, putting into a holster, or handing it to another authorized person.
- Never give the pistol to a person who has not thoroughly familiarized himself or herself with the safety instructions and handling of the pistol, by reading the corresponding instructions.
- Never leave the pistol lying unattended. Unauthorized persons could cause damage with it, or threaten or kill other people, for which you could be held liable.
- Never store the pistol loaded; always verify that there is no cartridge left in the chamber of the barrel by following the unloading procedure.
- Always keep the pistol and the ammunition separate from one another. Ensure that neither is obtained by unauthorized persons or children.

**Please read and understand these instructions carefully before each and every handling of the **LIFECARD®** pistol.**

## SAFETY FEATURES

Firearms safety is your responsibility! The pistol has safety features that are included in the design to promote safe operation. The first of these is the half-cocked bolt position. The half-cocked position is readily identified when the bolt is flush with the rear of the pistol frame, as shown here:



It is highly recommended that the pistol be kept in this half-cocked position whenever it is not being fired. The pistol must be placed in the half-cocked position for loading and unloading. **NEVER ATTEMPT TO LOAD THE PISTOL WITH THE BOLT COCKED!** In the half-cocked position, the bolt is captured and the trigger cannot be pulled. Do not carry the pistol with a live cartridge in the chamber.

A second safety feature is the trigger pocket which is built into the handle. This pocket serves two purposes:

1. The pistol cannot be cocked or fired when the handle is closed around the trigger.
2. The handle cannot be closed fully if the pistol is cocked. This serves as a reminder to never fold or store the pistol loaded or cocked.

In addition to these safety features, you are reminded to always practice safe handling and storage care. **NEVER PLACE YOUR FINGERS OR ANY OTHER PART OF YOUR BODY IN FRONT OF THE MUZZLE.**

### **WARNING!**

- For your own safety and the safety of others, always transport the pistol unloaded, uncocked, and closed.
- Never carry the pistol with the bolt cocked and a round in the chamber.
- Always carry the pistol so that if you fall or slip, you maintain control of the muzzle.
- Transport the pistol separately from any ammunition.
- **Keep the pistol out of the reach of children** and other inexperienced or unauthorized persons.
- Follow all applicable federal, state, and local regulations regarding the transport of firearms.
- Never completely trust any safety mechanism. Any safety mechanism can break down or malfunction. The safest pistol is one that is fully unloaded.

### **WARNING!**

**UNCONTROLLED SHOT DISCHARGE WITH THE PISTOL  
CAN LEAD TO POSSIBLE DEATH OR SERIOUS INJURY**

## **HANDLING THE PISTOL**

The pistol is generally preserved with a protective grease and oil coating and must be stripped before being used for the first time.

### **WARNING!**

- For the pistol, use only commercial grade ammunition in its original packaging, the caliber of which corresponds to the caliber of the pistol. The correct caliber is imprinted on the pistol.
- Never use reloaded, refurbished, handloaded, or incorrect caliber ammunition.
- Never use dirty, wet, corroded, bent, damaged, or oiled ammunition.
- Never leave the ammunition unattended.



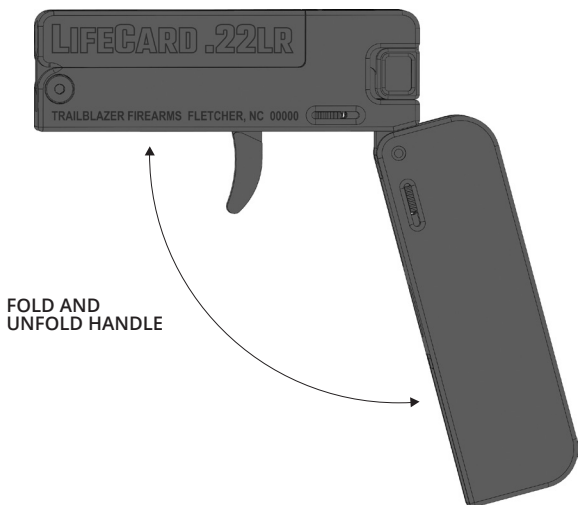
## UNFOLDING AND FOLDING THE PISTOL

**WARNING!**  
**LACK OF UNDERSTANDING OF PROCEDURES CAN  
LEAD TO POSSIBLE DEATH OR SERIOUS INJURY**

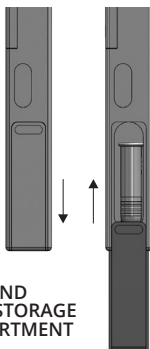
The lower half of the pistol is the handle and includes the latch mechanism for folding and unfolding the pistol. The upper half of the pistol is the frame and barrel assembly and contains the complete firing mechanism. The latches for the handle and barrel are similar but work in opposite directions. Please see image below with arrow that depicts the latch sliding direction. The latches protrude slightly on each side of the pistol and are manipulated with thumb and forefinger using a “pinching” motion. To unfold the pistol for firing use thumb and forefinger on the handle latch and slide it fully in the direction shown while separating the pistol handle from the frame/barrel upper assembly. Once the handle is unlocked, release the latch and complete the opening of the handle to its locked position. The latch will spring back into place and hold the handle locked. Confirm that the handle is fully open and locked into place prior to loading the pistol. Before folding the pistol for storage or transport ensure that the pistol is unloaded and the bolt is in the half-cocked position. The pistol will not fold completely if the bolt is not in the half-cocked position. To fold the pistol it may be necessary to apply slight pressure in the open direction while unlocking the latch mechanism. Never force the handle open or closed without unlocking the latch mechanism. Once the handle begins closing the latch should be released and the handle will lock in the closed position. Ensure that the handle is locked in the closed position prior to storage or transport of the pistol.



SLIDE LATCH TO  
UNLOCK HANDLE



## STORAGE COMPARTMENT



There is a small storage compartment built into the handle. This compartment is sized to fit 4 spare cartridges. The cartridges must be nested in alternating directions. The storage cap slides open and closed and has a small recess to aid in opening and closing. Do not attempt to remove the storage cap beyond the stop. There are small parts that may be lost.

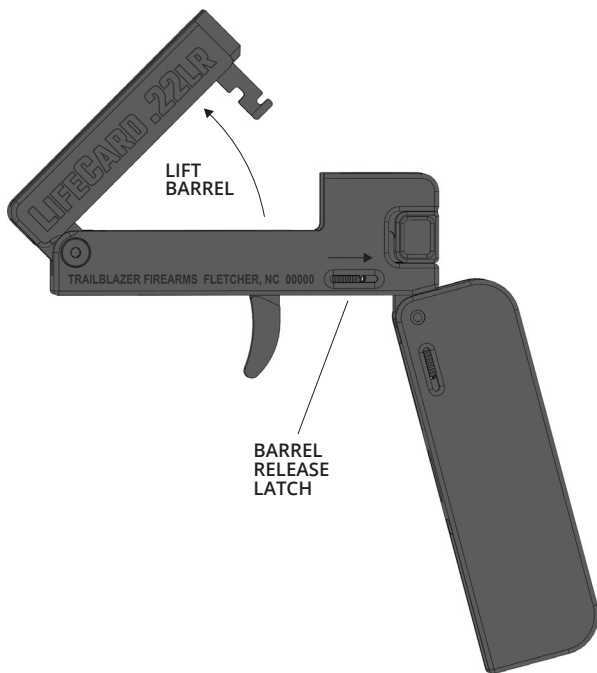
## LOADING THE PISTOL

**WARNING!**  
**LACK OF UNDERSTANDING OF PROCEDURES CAN  
LEAD TO POSSIBLE DEATH OR SERIOUS INJURY**

- Never load or unload the pistol inside a vehicle, inside a building, or inside any other enclosed space (except in a designated firing range).
- Always wipe off any excess grease or oil and check to see if there are any foreign objects or materials in the barrel before loading the pistol.
- **Always keep the muzzle of the pistol pointed in a safe direction.**
- Do not put your finger on the trigger. Keep your finger off the trigger until ready to fire.
- Only insert a live cartridge into the chamber immediately before firing.
- Never rely on the safety mechanisms alone. Safety mechanisms are not a substitute for careful and proper handling of the pistol.
- Never let a loaded pistol out of your hand. Place the bolt in the half-cocked position by pulling it slightly rearward until the bolt is flush with the pistol frame.



Slide the barrel release latch fully rearward and lift up on the barrel.

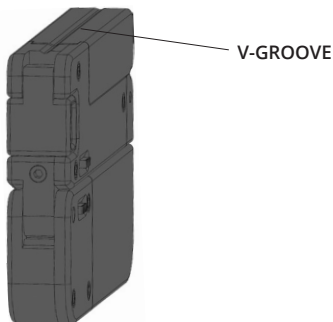


Place the proper ammunition into the chamber and ensure that it is seated fully.

While maintaining rearward pressure on the barrel release latch, close the barrel firmly and ensure that the barrel release latch slides forward and the barrel is locked into place.

## AIMING

To aim the pistol, align the entire v-groove with the intended target.



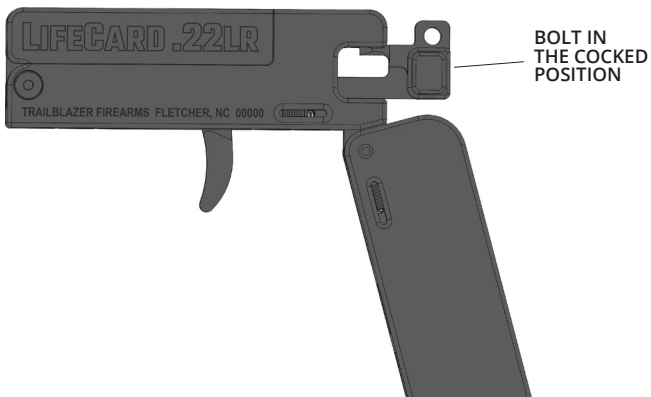
## FIRING

**WARNING!**  
**LACK OF UNDERSTANDING OF PROCEDURES CAN  
LEAD TO POSSIBLE DEATH OR SERIOUS INJURY**

- Ensure that the target and surroundings allow shots to be fired without danger.
- Be certain when firing that your fingers, hands or other parts of the body are not in front of, above, or beside the barrel muzzle.
- When shooting, always wear ear protection and protective eye glasses. Inform other people close to you about the need to wear eye and ear protection.
- Stop shooting immediately and unload the pistol if you suspect that a round is not inserted correctly, a case is jammed, a round may have blocked the barrel, or a shot sounds or gives the sensation that it may be weak or unusual.
- Never try to dislodge a blockage by firing another round.

**WARNING!**  
**DRY FIRING CAN CAUSE DAMAGE TO THE PISTOL  
AND CREATE AN UNSAFE CONDITION**

To cock and fire the pistol, firmly grasp the recessed sides of the bolt and draw it fully rearward until it catches. Make certain that no part of your finger or hand touches the trigger during this step.



Aim at the intended target and pull the trigger fully rearward. After firing always return the bolt to the half-cocked position by firmly grasping the recessed sides of the bolt and drawing it slightly rearward until it aligns with the rear of the frame.



## UNLOADING

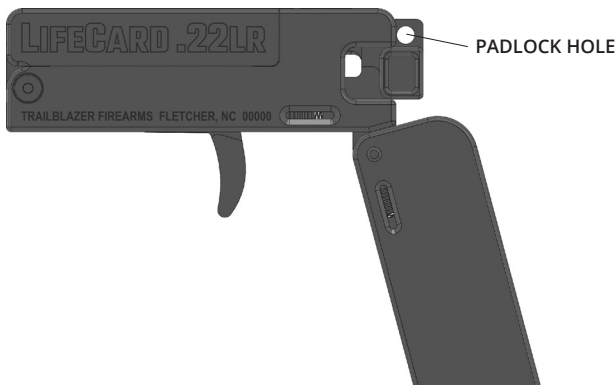
Place the pistol in the half-cocked position (see previous page) and release the barrel by sliding the barrel release latch rearward. Lift up the barrel and remove the cartridge by grasping the rim and pulling it out.

### WARNING!

- Keep the pistol muzzle pointed in a safe direction.
- Check (visually and manually with appropriate aid) to ensure that the round has been ejected and that there is no round in the chamber.
- Never let the pistol out of your hand.
- Keep the pistol aimed at a safe target.

## LOCKING THE PISTOL

A unique locking system has been designed into the pistol. The shackle of the supplied padlock can be passed through the small hole in the bolt to prevent unauthorized use. Once locked, the bolt is prevented from forward movement or striking a cartridge. Before locking the pistol make sure that it is unloaded. The pistol must also be unfolded in order to lock. Pull back slightly on the bolt by firmly grasping the recessed sides of the bolt and insert the padlock shackle through the hole. Close and lock the padlock. Make sure the key is kept in a separate and safe location.



## **ROUTINE CARE**

### **WARNING!**

**A PISTOL THAT HAS NOT BEEN PROPERLY CLEANED  
CAN LEAD TO POSSIBLE DEATH OR SERIOUS INJURY, AND  
CAN CAUSE DAMAGE TO THE PISTOL**

No disassembly is required to perform routine cleaning. It is recommended that the barrel and chamber be cleaned after firing and the remainder of the pistol be wiped clean of any debris or fouling. A very light coat of lubricant can be applied to the bolt and to the pivot points of the handle and barrel.

## **AMMUNITION**

Always use only the proper caliber of factory-loaded ammunition in the pistol. We have tested this model with virtually all of the currently available commercial ammunition and found that they will all function reliably in the pistol.

## **LEAD WARNING**

The pistol was test fired at the factory, and there may be residual lead that remains. Always wash your hands thoroughly after shooting, handling, or cleaning the pistol.



## 10 RULES OF SAFE FIREARM HANDLING

### 1. Always Keep the Muzzle Pointed in a Safe Direction

This is the most basic safety rule. If everyone handled a firearm so carefully that the muzzle never pointed at something he or she didn't intend to shoot, there would be virtually no firearms accidents. It's as simple as that, and it's up to you.

**Never point a firearm at anything you do not intend to shoot.** This is particularly important when loading or unloading a firearm. In the event of an accidental discharge, no injury can occur as long as the muzzle is pointing in a safe direction.

A safe direction means a direction in which a bullet cannot possibly strike anyone, taking into account possible ricochets and the fact that bullets can penetrate walls and ceilings. The safe direction may be up on some occasions or down on others, but never at anyone or anything not intended as a target. Even when dry firing with an unloaded firearm, you should never point the firearm at an unintended target.

Make it a habit to know exactly where the muzzle of your firearm is pointing at all times, and be sure that you are in control of the direction in which the muzzle is pointing, even if you fall or stumble. This is your responsibility; only you can control the firearm.

### 2. Firearms Should Be Unloaded When Not Actually in Use

Firearms should be loaded only when you are on the target range or shooting area, ready to shoot. **When not in use, firearms and ammunition should be secured in a safe place, separate from each other.** It is your responsibility to prevent children and unauthorized adults from gaining access to firearms or ammunition.

A loaded firearm has no place in or near a car, truck, or building. Unload your firearm immediately when you have finished shooting, well before you bring it into a car, camp, or home.

Whenever you handle a firearm or before you hand it to someone, always open the action immediately, and visually check the chamber to be certain it does not contain any ammunition. Always keep the action open when not in use. Never assume a firearm is unloaded. Check for yourself!

Never cross a fence, climb a tree, or perform any awkward action with a loaded firearm. While in the field, there will be times when common sense and the basic rules of firearm safety will require you to unload your firearm for maximum safety. Never pull or push a loaded firearm toward

yourself or another person. There is no excuse to carry a loaded firearm in a scabbard, a holster not being worn, or a case. When in doubt, unload your firearm!

### **3. Don't Rely on Your Firearm's Safety Mechanism**

**Treat every firearm as though it can fire at any time.** The safety on any firearm is a mechanical device which, like any such device, can become inoperable at any time. The safety may be off when you think it is on. The safety serves as a supplement to proper firearm handling but cannot possibly serve as a substitute for common sense. You should never handle a firearm carelessly and assume that it won't fire just because the safety is on.

Never touch the trigger on a firearm until you actually intend to shoot. Keep your fingers away from the trigger while loading or unloading. Never pull the trigger on any firearm with the safety on the safe position or anywhere in between safe and fire. It is possible that the gun can fire at any time, or even later when you release the safety, without you ever touching the trigger again.

Never place the safety in between positions, since half-safe is unsafe. Keep the safety on until you are absolutely ready to fire.

Regardless of the position of the safety, any blow or jar strong enough to actuate the firing mechanism of a firearm can cause it to fire. This can happen even if the trigger is not touched, such as when a firearm is dropped. Never rest a loaded firearm against any object because there is always the possibility that it will be jarred or slide from its position and fall with sufficient force to discharge. The only time you can be absolutely certain that a firearm cannot fire is when the action is open and it is completely empty. Again, never rely on your firearm's safety. You and the safe firearm handling procedures you have learned are your firearm's primary safeties.

### **4. Be Sure of Your Target and What's Beyond It**

No one can call a shot back. Once a shot is fired, you have given up all control over where the shot will go or what it will strike. Don't shoot unless you know exactly what your shot is going to strike. Be sure that your bullet will not injure anyone or anything beyond your target. Firing at a movement or a noise without being absolutely certain of what you are shooting at constitutes disregard for the safety of others. No target is so important that you cannot take the time before you pull the trigger to be absolutely certain of your target and where your shot will stop.

Be aware that even a .22 short bullet can travel over 1.25 miles and a high velocity cartridge, such as a .30-06, can send its bullet more than 3 miles.

Shotgun pellets can travel 500 yards, and shotgun slugs have a range of over half a mile.

You should keep in mind how far a bullet will travel if it misses your intended target or ricochets in another direction.

## **5. Use Correct Ammunition**

You must assume the serious responsibility of using only the correct ammunition for your firearm. Read and heed all warnings, including those that appear in the firearm's instruction manual and on the ammunition boxes.

Using improper or incorrect ammunition can destroy a firearm and cause serious personal injury. It takes only one cartridge of improper caliber or gauge to damage your firearm, and only a second to check each cartridge as you load it. Be absolutely certain that the ammunition you are using matches the specifications that are contained within the firearm's instruction manual and the manufacturer's markings on the firearm.

Firearms are designed, manufactured, and proof tested to standards of factory-loaded ammunition. Hand-loaded or reloaded ammunition deviating from pressures generated by factory loads or from component recommendations specified in reputable hand-loading manuals can be dangerous and can cause severe damage to guns and serious injury to the shooter. Do not use improper reloads or ammunition made of unknown components.

Ammunition that has become very wet or has been submerged in water should be discarded in a safe manner. Do not spray oil or solvents on ammunition or place ammunition in excessively lubricated firearms. Poor ignition, unsatisfactory performance, or damage to your firearm and harm to yourself or others could result from using such ammunition.

Form the habit of examining every cartridge you put into your firearm. Never use damaged or substandard ammunition. The money you save is not worth the risk of possible injury or a ruined firearm.

## **6. If Your Firearm Fails to Fire When the Trigger Is Pulled, Handle with Care!**

Occasionally, a cartridge may not fire when the trigger is pulled. If this occurs, keep the muzzle pointed in a safe direction. Keep your face away from the breech. Then, carefully open the action, unload the firearm, and dispose of the cartridge in a safe manner.

Any time there is a cartridge in the chamber, your firearm is loaded and ready to fire, even if you've tried to shoot and it did not go off. It could go off at any time, so you must always remember Rule #1 and watch that muzzle!

Discharging firearms in poorly ventilated areas, cleaning firearms, or handling ammunition may result in exposure to lead and other substances known to cause birth defects, reproductive harm, and other serious physical injury. Have adequate ventilation at all times. Wash hands thoroughly after exposure.

## **7. Always Wear Eye and Ear Protection When Shooting**

All shooters should wear protective shooting glasses and some form of hearing protection while shooting. Exposure to shooting noise can damage hearing, and adequate vision protection is essential. Shooting glasses guard against twigs, falling shot, clay target chips, and the rare ruptured case or firearm malfunction. Wearing eye protection when disassembling and cleaning any gun will also help prevent the possibility of springs, spring tension parts, solvents, or other agents from making contact with your eyes. There is a wide variety of eye and ear protection available. No target shooter, plinker, or hunter should ever be without them.

Most rules of shooting safety are intended to protect you and others around you, but this rule is for your protection alone. Furthermore, having your hearing and eyes protected will make your shooting easier and will help improve your enjoyment of the shooting sports.

## **8. Be Sure the Barrel Is Clear of Obstructions Before Shooting**

Before you load your firearm, open the action and be certain that no ammunition is in the chamber. Be sure the barrel is clear of any obstruction. Even a small bit of mud, snow, excess lubricating oil, or grease in the barrel can cause dangerously increased pressures, causing the barrel to bulge or even burst on firing, which can cause injury to the shooter and bystanders. Make it a habit to clean the barrel and check for obstructions with a cleaning rod immediately before you shoot. If the noise or recoil on firing seems weak or doesn't seem quite right, cease firing immediately and be sure to check that no obstruction or projectile has become lodged in the barrel.

Placing a smaller gauge or caliber cartridge into a firearm (such as a 20 gauge shell in a 12 gauge shotgun) can result in the smaller cartridge falling into the barrel and acting as a barrel obstruction when a cartridge of proper size is fired. This can cause a burst barrel or worse.

## **9. Don't Alter or Modify Your Firearm and Have Your Firearm Serviced Regularly**

Firearms are complicated mechanisms that are designed by experts to function properly in their original condition. Any alteration or change made to a firearm after manufacture can make the gun dangerous and will usually void any factory warranties. Do not jeopardize your safety or the safety of others by altering the trigger, safety, or other mechanism of any firearm or by allowing unqualified persons to repair or modify a firearm. You'll usually ruin an expensive firearm. Don't do it!

Your firearm is a mechanical device that will not last forever and is subject to wear. As such, it requires periodic inspection, adjustment, and service. Check with the manufacturer of your firearm for recommended servicing.

## **10. Learn the Mechanical and Handling Characteristics of the Firearm You Are Using**

Not all firearms are the same. The method of carrying and handling firearms varies in accordance with the mechanical characteristics of each firearm. Never handle any firearm without first having thoroughly familiarized yourself with the particular type of firearm you are using, the safe firearm handling rules for loading, unloading, carrying, and handling that firearm, and the rules of safe firearm handling in general.

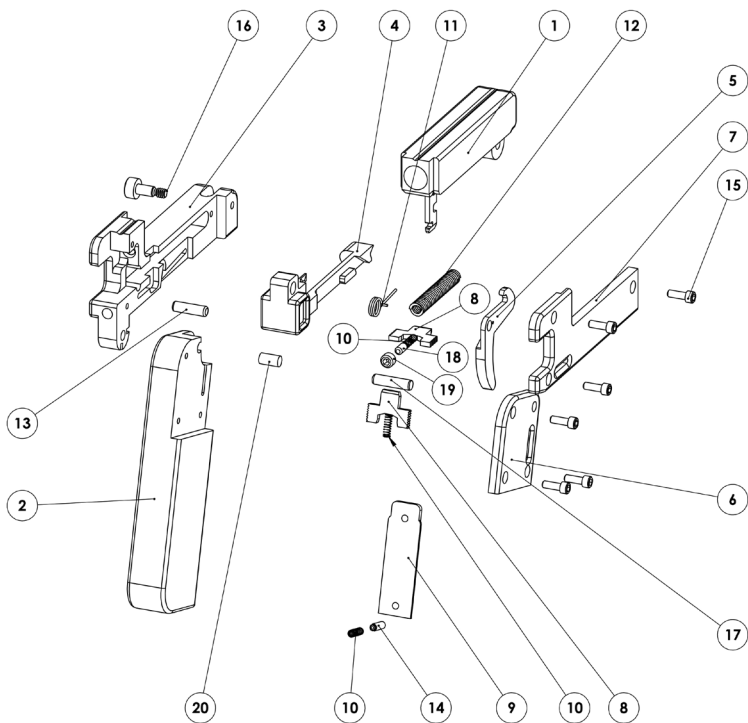
For example, many handgun manufacturers recommend that their handguns always be carried with the hammer down on an empty chamber. This is particularly true for older single-action revolvers, but it applies equally to some double-action revolvers or semiautomatic pistols. You should always read and refer to the instruction manual you received with your firearm, or if you have misplaced the manual, simply contact the manufacturer for a free copy.

Having a firearm in your possession is a full-time job. You cannot guess; you cannot forget. You must know how to use, handle, and store your firearm safely. Do not use any firearm without having a complete understanding of its particular characteristics and safe use. There is no such thing as a foolproof firearm.

**Don't be timid when it comes to firearm safety. If you observe anyone violating any safety precautions, you have an obligation to insist on safer handling practices.**

# LIFECARD .22LR

## EXPLODED DIAGRAM AND PARTS LIST



<b>PART #</b>	<b>PART NAME</b>
1	BARREL
2	HANDLE
3	FRAME
4	BOLT
5	TRIGGER
6	HANDLE COVER PLATE
7	FRAME COVER PLATE
8	LOCK TAB (2)
9	STORAGE LID
10	SMALL COMPRESSION SPRING (3)
11	TRIGGER SPRING
12	MAINSRING
13	TRIGGER PIN
14	DETENT PIN
15	COVER PLATE SCREW (6)
16	BARREL SCREW
17	HANDLE PIVOT PIN
18	SPRING COMPRESSION PIN
19	SET SCREW

## **WARRANTY INFORMATION**

Disassembly of the pistol is not advised and will void any warranty claim. For assistance with parts, service, or warranty claim requests, please contact Trailblazer® Firearms directly to discuss shipping and options.

Do NOT send the pistol to us without first contacting us for a return authorization. Firearms sent to us without shipping prepaid will not be accepted.

**Phone:** 828-676-3111

**Website:** TrailblazerFirearms.com

**Email:** Service@TrailblazerFirearms.com



**MADE IN USA**

**TRAILBLAZER® FIREARMS**

**800 FAIRVIEW ROAD, SUITE 132, ASHEVILLE, NC 28803  
TRAILBLAZERFIREARMS.COM**