

OWNER'S MANUAL

STEYR L-A2, M-A2 & C-A2 PISTOLS










WARNING READ THIS MANUAL
BEFORE LOADING OR USING YOUR STEYR PISTOL.




Read this manual and the warnings contained in it before loading or using your STEYR pistol. This manual explains the function and the handling of your STEYR pistol and warns of the potential dangers, including death and serious personal injury, that can result from the unsafe use of your STEYR pistol. This manual should always accompany your STEYR pistol and be transferred with it if it is sold or loaned to another person.

We want you to enjoy shooting your STEYR pistol, but we want you to enjoy it safely. Whether you are an experienced shooter or have never handled a firearm before, you must READ THIS ENTIRE MANUAL CAREFULLY before loading or firing your STEYR pistol. This manual gives basic instructions on the proper handling and functioning of your STEYR pistol. Your safety and the safety of others depends on you following the instructions and warnings in this manual and constant use of safe firearms practices. If you are unfamiliar with firearms, take a course in the safe handling of firearms run by a qualified firearms instructor, your local gun club or a similar qualified organization.

This manual contains several safety warnings and instructions preceded with  **WARNING**,  **CAUTION**,  **NOTICE**. These signal words are designed to draw your attention to important safety information.  **WARNING** indicates a hazardous situation which, if not avoided, could result in death or serious personal injury.  **CAUTION** indicates a hazardous situation, which, if not avoided, could result in moderate or minor personal injury.  **NOTICE** indicates a hazardous situation which, if not avoided, could result in property damage.

 **WARNING** Failure to follow the safety information and safety instructions in this manual could result in death, serious personal injury and/or property damage.

 **WARNING** Always seek a doctor's advice if you are taking medication to be sure that you are able to shoot and handle a firearm safely. Never drink alcoholic beverages or take drugs before or while shooting. Your vision and judgment could be seriously impaired, making your firearm handling unsafe.

⚠ WARNING If your STEYR pistol or any other firearm is carelessly or improperly handled, you could cause a negligent discharge, which could result in death, serious personal injury and/or property damage.

⚠ WARNING Always handle your STEYR pistol as if it is loaded so that you never fire negligently.

⚠ WARNING Never point your STEYR pistol at anything you do not intend to shoot.

⚠ WARNING Never pull the trigger or put your finger on the trigger or in the trigger guard until you are ready to fire.

⚠ WARNING Never take anyone's word that a firearm is unloaded; always check for yourself, with the firearm pointed in a safe direction and your finger off of the trigger and outside of the trigger guard.

⚠ WARNING Always make sure your STEYR pistol is unloaded and that the slide is locked open in the rearward position with the magazine taken out before handing it to another person.

⚠ WARNING Never carry your STEYR pistol out of a suitable holster with a cartridge loaded in the chamber.

⚠ WARNING To store your STEYR pistol, first unload it as described in Chapter 4. Then, after checking to make sure that it is unloaded (chamber empty and magazine removed), place it in the included pistol box or another suitable locked container.

⚠ WARNING Always store and transport your STEYR pistol unloaded, with the limited access lock engaged, and locked in a suitable container, such as the included pistol box, out of the reach and sight of children or other unauthorized persons.



Never store or transport ammunition in the same container as your STEYR pistol.

Before it left the factory, your STEYR pistol was tested, carefully inspected and packaged. STEYR ARMS, Inc. cannot control what happens to the pistol after it leaves the factory therefore, carefully examine your STEYR pistol when you acquire it to ensure that it is unloaded and undamaged. If you do not understand the warnings and instructions in this manual or have any problems operating your STEYR pistol, contact STEYR ARMS, Inc. at (205) 417-8644. A current copy of the manual is also available to download from <https://www.steyr-arms.com/us/manuals>.

Dear Customer,

With the purchase of a STEYR L-A2, M-A2, or C-A2 pistol manufactured by STEYR ARMS, you have acquired a product that meets the highest quality standards. These pistols have been made to meet the state-of-the-art requirements of today's shooters. Unsurpassed performance, superb quality, optimum user comfort in handling, and long service life have been the parameters this new development has been designed for. With our thorough quality assurance system, you can be sure to have acquired a top-brand product of outstanding quality. The highest quality standards are assured by STEYR ARMS' certification according to the quality standard ISO 9001:2015.

Copyright STEYR ARMS, Inc.
All rights reserved.

Table of Content

1. Main features	9
2. Loading	15
3. Firing	18
4. Unloading	22
5. Disassembly	25
6. Cleaning and maintenance	29
7. Reassembly	34
8. Adjustment of the grip	35
9. Warranty and product service	38
10. Technical data	41
11. Parts list	45
12. State required warnings	56

STEYR PISTOL

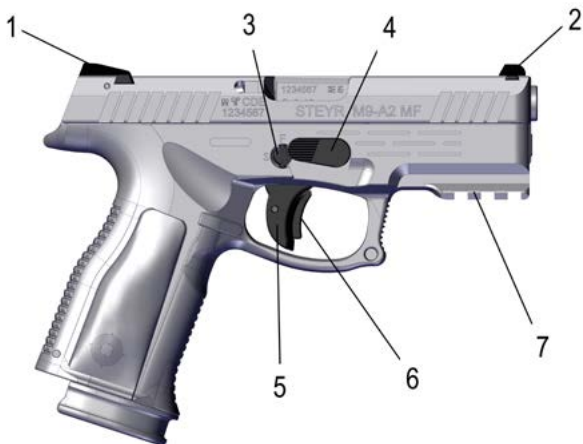


Fig. 1

- | | |
|--------------------------------|-------------------|
| 1 Rear sight | 5 Trigger |
| 2 Front sight | 6 Trigger safety |
| 3 Limited access lock with key | 7 Accessory mount |
| 4 Disassembly lever | |

STEYR PISTOL



Fig. 2

8 Slide catch

9 Magazine release

10 Magazine

11 Mechanical loaded chamber indicator (only L Version)



Fig. 3

- | | |
|--------------------------|-------------------------|
| 1 Slide | 4 Grip |
| 2 Barrel | 5 Multifunction element |
| 3 Recoil spring assembly | 6 Magazine |

1. Main features

The STEYR L-A2, M-A2, and C-A2 pistols are semi-automatic, mechanically locked, recoil-operated pistols. Their main features are as follows:

Grip: The synthetic grip features an angle designed for optimal pointability and ergonomical shape for enhanced comfort in operation and handling. The ergonomic grip can be individually adapted to the shooter's hand by replacing the back strap and the grip panels. On the front end is a Picatinny rail for mounting devices on the pistol.

Slide: The slide has an extremely low height, positively affecting the recoil and aiming characteristics of the pistol.


Barrel: The barrel is mechanically locked and has 6 lands and grooves with a right hand twist.

Multifunction element: The multifunction element is made of steel and inserted into the grip. Its principal features include the trigger and safety devices, as well as the slide catch lever and ejector.

Sights: The sights, which consist of a triangular front sight and a rear sight with trapezoid recess, are adjustable in lateral directions. White contrasting surfaces on the front and rear sights serve as additional targeting aids.

Magazine: The steel magazine features openings on both sides to determine the number of cartridges left in the magazine

Trigger system: The reset-action trigger system features a trigger safety, a drop safety, and indirect firing pin safety. These passive safeties function automatically without the need for any action by the user. They are always on and are automatically deactivated by pulling the trigger to its rearmost position.

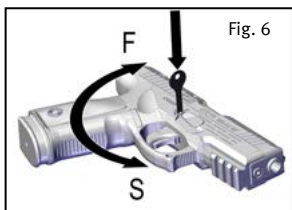
 **WARNING** Your STEYR pistol does not have a manual safety and will fire if the trigger is pulled when there is a round in the chamber.



Although STEYR pistols have several internal safeties, designed to prevent an unintentional discharge if the pistol is dropped or hit, the proper and safe function of your STEYR pistol depends on it being used for its intended purpose and not being altered or modified. Like any other mechanical device, if your STEYR pistol is subjected to unusual and extreme forces a part failure can occur. Therefore, safe firearm handling practices and the instructions and safety warnings in this manual must always be followed to minimize the risk of a negligent discharge.



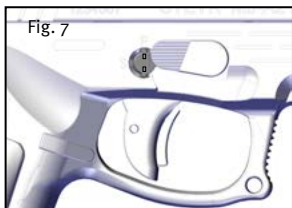
In case any of your STEYR pistol's safeties prove to be ineffective for any reason, the possibility of an unintentional discharge exists. If so, your STEYR pistol should be immediately unloaded and not be used again until it has been examined by STEYR ARMS authorized personnel.



Integrated limited access lock with key:

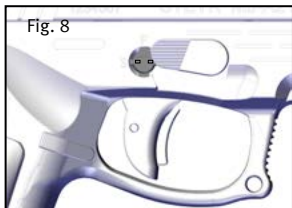
The integrated limited access lock is manually operated by using a separate key. When locked, it locks the trigger and prevents the disassembly of the pistol. The integrated limited access lock can only be locked when the pistol is cocked (trigger in the forward position).

In unlocked position



To lock the integrated limited access lock, insert the key into the lock and press down while turning the key towards the letter “S” (Safe) on the frame. This will block the trigger system and prevent disassembly of the pistol.

In locked position



To unlock the integrated limited access lock, insert the key into the lock and press down while turning the key towards the letter “F” (Fire) on the frame.



Never leave your STEYR PISTOL where it could be accessed by a child or other unauthorized person.

Loaded chamber indicator - pistol loaded

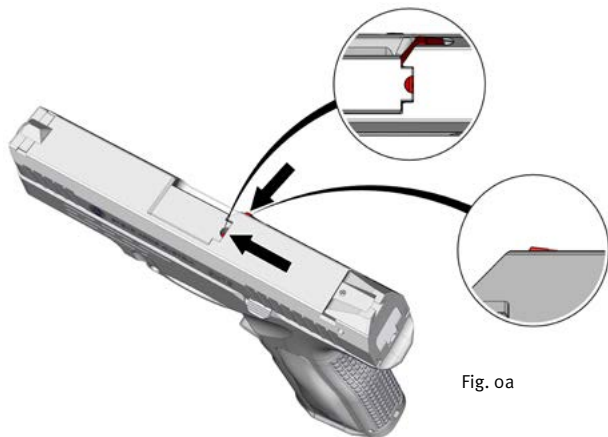


Fig. oa

Loaded chamber indicator - pistol unloaded

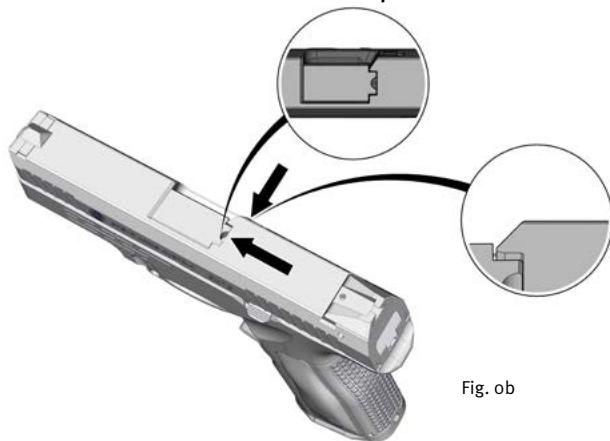


Fig. ob

Loaded chamber indicator mechanically – only in the STEYR L9-A2 MF Pistol loaded

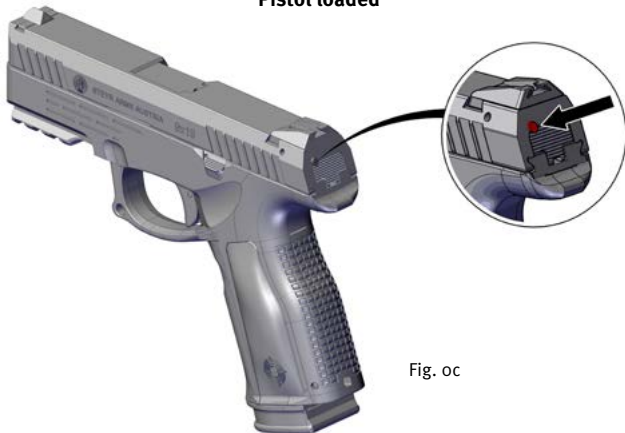


Fig. oc

Loaded chamber indicator mechanically – only in the STEYR L9-A2 MF Pistol unloaded

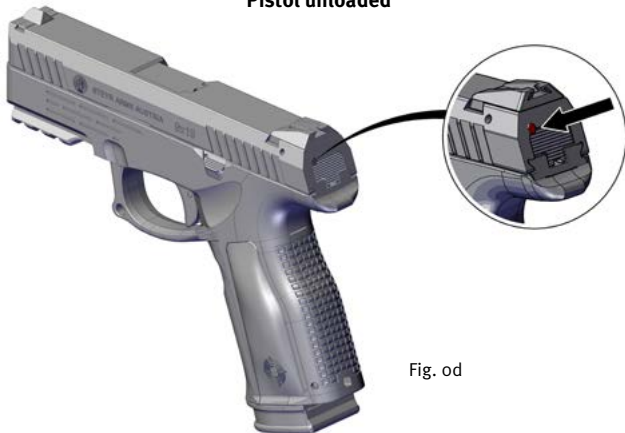


Fig. od

Standard equipment:

- 1 Pistol with magazine
- 1 Spare magazine
- 2 Keys for the integrated limited access lock
- 1 Owner's Manual
- Pistol box

2. Loading

⚠ WARNING

To minimize the risk of a negligent discharge, only load live ammunition into your STEYR pistol when you are ready to fire it.

⚠ WARNING

Your STEYR pistol does not have a manual safety and will fire if the trigger is pulled when there is a round in the chamber.

⚠ WARNING

Your STEYR pistol is chambered for only one specific caliber of ammunition. It is important that you only load your magazine with the specific caliber of ammunition for which your pistol is chambered. Always compare the caliber marked on the headstamp of your ammunition with the caliber marked on your pistol when loading your magazine to ensure that you use the correct caliber. If you use the wrong caliber of ammunition in your pistol, it could result in death or serious personal injury, and destroy your firearm.

⚠ WARNING

Only use high quality commercially manufactured ammunition in the same caliber as your STEYR pistol. Reloaded or handloaded ammunition may not meet applicable SAAMI standards and could be unsafe.

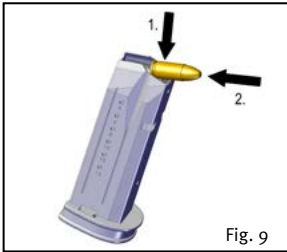


Fig. 9

Loading

To load the magazine, press each cartridge into the magazine from the front - with the cartridge bottom first - against the force of the magazine spring.



Fig. 10

Insert the magazine into the magazine well until the magazine release lock catches

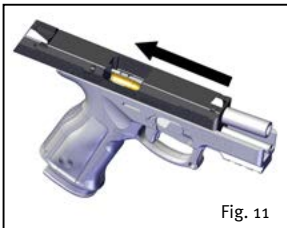


Fig. 11

If the slide is in the forward position, hold your STEYR pistol with your firing hand and, while keeping your finger off of the trigger and outside of the trigger guard, pull the slide fully back with the other hand and release it, allowing it to return to the fully forward position.

or



Fig. 12

If the slide is locked in the rearward position, either press the slide catch lever down to release the slide and return it to the fully forward position or pull the slide fully back and release it, allowing it to return to the fully forward position.

The pistol is now loaded and ready to be fired by pulling the trigger.

⚠ WARNING Your STEYR pistol is now loaded and will fire if the trigger is pulled.

3. Firing

⚠ WARNING

Before firing your STEYR pistol, run a clean patch through the barrel, from the chamber end, using a cleaning rod. Repeat this procedure until the patch comes out of the barrel with no gun oil or cleaner-lubricant-preservative on it.

⚠ WARNING

Always be sure that the barrel of your STEYR pistol is clear of obstructions before firing it. Remove any obstructions before firing your STEYR pistol so that it will function safely and correctly. Any obstruction in the barrel could prevent the pistol from firing properly and result in death or serious personal injury and damage to the pistol.

⚠ WARNING

In case of a failure to fire, continue to hold your STEYR pistol pointed toward the target for at least 30 seconds. If a hangfire (slow ignition) has occurred, the cartridge should fire within approximately 30 seconds. If the cartridge has not fired, remove the magazine, eject the cartridge from the chamber and examine its primer. If the firing pin indentation is light, off-center, or non-existent, have your STEYR pistol examined by STEYR ARMS authorized personnel. If the firing pin indentation on the primer appears normal (compared to similar previously fired cartridges) the cartridge may be defective. Separate the cartridge from other live ammunition and empty cases, reload your STEYR pistol and resume firing. **NOTE:** Dispose of misfired cartridges in accordance with the ammunition manufacturer's instructions.

⚠ WARNING

Never use your STEYR pistol if it fails to function properly, and never force the slide closed on a jammed cartridge because it could cause the cartridge to explode.

⚠ WARNING

Never pull the trigger if the slide does not fully close to prevent a possible out of battery firing. If this happens, unload the pistol as described in Chapter 4, examine the round that was in the chamber and check the chamber to ensure that there are no obstructions or debris in it.

⚠ WARNING

Always wear safety glasses when firing your STEYR pistol to protect your eyes.

⚠ WARNING

Always wear ear protection when firing your STEYR pistol to protect your hearing.

⚠ WARNING

Always be sure that your backstop is adequate to stop and contain bullets before firing so that you do not hit anything outside of the shooting range area. A bullet could travel through or past your target as far as 2 miles (approximately 3 km). If in doubt, do not shoot.

⚠ WARNING

Never shoot at a hard surface, such as a rock, or a liquid surface, such as water, because a bullet may ricochet and travel in any direction, striking you or someone else.

⚠ CAUTION

When ready to fire be sure that the area behind the slide is clear (check your thumb) and do not hold the pistol near your body, because the slide will move forcefully rearward when the pistol is fired.

⚠ CAUTION

Always keep yourself and others clear of the ejection port because spent cartridges are hot and are ejected with enough force to cause injury. Never touch the slide or barrel immediately after firing because they may be hot and could cause burns.

⚠ CAUTION

Never place your fingers in the ejection port because they could be injured by the movement of the slide.

⚠ CAUTION

Never fire your STEYR pistol near an animal unless it is trained to accept that noise. An animal's startled reaction could injure it, or cause an accident.

NOTICE

Always put a responsible and competent person in charge to maintain safety, discipline and control when a group is firing at a range, to reduce the likelihood of a negligent discharge.

NOTICE

Always carry your STEYR pistol unloaded with the slide locked open in the rearward position while on a range until preparing to fire. Always keep the pistol pointed towards the backstop when loading, firing and unloading it.

When the pistol is loaded with a cartridge in the chamber, the firing pin is partially cocked, the trigger is in the forward position, the Reset Action Safety System with trigger, drop and indirect firing pin safeties are activated. If the STEYR pistol has a mechanical loaded chamber indicator, it is visible as it protrudes from the rear of the slide and can be felt with the finger.

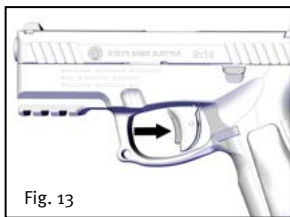


Fig. 13

To fire the pistol, pull the trigger to its rearmost position, using your trigger finger. This will automatically deactivate the trigger, drop and indirect firing pin safeties.



Fig. 14

After firing the last cartridge the slide will remain locked open in the rearward position.

4. Unloading

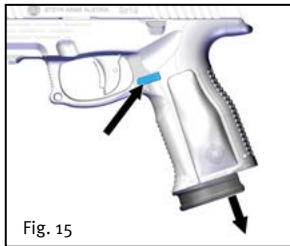
⚠ WARNING

Never solely rely on a loaded chamber indicator or your memory to know if your STEYR pistol is loaded. Always retract the slide and visually check to make sure there is not a cartridge in the chamber.

⚠ WARNING

It is possible that a cartridge may be in the chamber when a loaded magazine is being removed from or inserted into your STEYR pistol. A cartridge in the chamber will discharge when the trigger is pulled, whether or not a magazine is in your STEYR pistol. Therefore, never leave your STEYR pistol unattended, even when the magazine is removed. You must always verify that the chamber is empty before field stripping your STEYR pistol for cleaning or any other reason.

To unload your STEYR pistol, follow the instructions below. To ensure that your STEYR pistol is unloaded, you **MUST** proceed in this order.



- 1 Remove the magazine by pressing the magazine release.



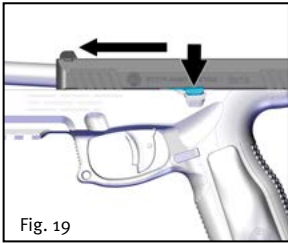
- 2 Retract the slide to eject any cartridge that may be in the chamber.



- 3 Lock the slide in the rearward (open) position by engaging the slide catch.



- 4 Visually and manually check to make sure that no cartridge remains in the chamber.



- 5 Release the slide to return it to the forward (closed) position.

Your STEYR pistol may also be unloaded when the integrated limited access safety lock is engaged.

5. Disassembly

⚠ WARNING

Never solely rely on a loaded chamber indicator or your memory to know if your STEYR pistol is loaded. Always retract the slide and visually check to make sure there is not a cartridge in the chamber.

⚠ WARNING

It is possible that a cartridge may be in the chamber when a loaded magazine is being removed from or inserted into your STEYR pistol. A cartridge in the chamber will discharge when the trigger is pulled, whether or not a magazine is in your STEYR pistol. Therefore, never leave your STEYR pistol unattended, even when the magazine is removed. You must always verify that the chamber is empty before field stripping your STEYR pistol for cleaning or any other reason. Never alter or modify your STEYR pistol because this could cause it to malfunction and create a dangerous condition.

⚠ WARNING

Never alter or modify your STEYR pistol because this could cause it to malfunction and create a dangerous condition.

⚠ WARNING

Always wear safety glasses when disassembling your STEYR pistol to protect your eyes from components that are under pressure, such as springs.

To disassemble (field strip) your STEYR pistol for cleaning, follow the instructions below. To ensure that your STEYR pistol is unloaded, disassembly **MUST** be performed in this order.



- 1 Remove the magazine by pressing the magazine release.



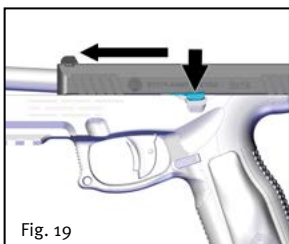
- 2 Retract the slide to eject any cartridge that may be in the chamber.



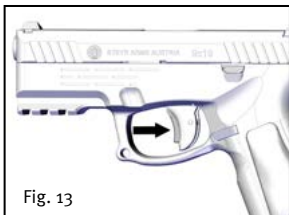
- 3 Lock the slide in the rearward (open) position.



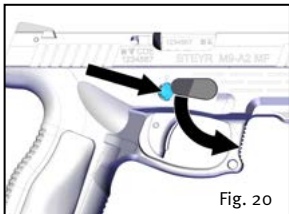
- 4 Visually and manually check to make sure that no cartridge remains in the chamber.



- 5 Release the slide to return it to the forward (closed) position.



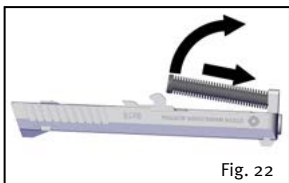
- 6 With the muzzle of your Steyr pistol pointed in a safe direction (a safe direction is one in which no one can possibly be injured in the event of an unintentional discharge), pull the trigger.



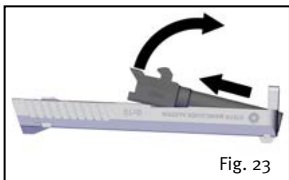
- 7 Press the integrated limited access lock in with the index finger of your firing hand and hold it pressed in.
- 8 Swing the disassembly lever down with the thumb of your non-firing hand.



- 9 Pull the slide off of the grip frame towards the front.



- 10 Press the recoil spring toward the front of the slide while pulling it up to remove it from the slide.



- 11 Holding the barrel by the bolt lock, lift and remove it from the slide by pulling it up and back.

⚠ WARNING

Never further disassemble your STEYR pistol. Any further disassembly must be performed by STEYR ARMS authorized personnel.

6. Cleaning and maintenance

⚠ WARNING

Before disassembling or cleaning the pistol, make sure that the pistol is unloaded (magazine removed and chamber empty).

⚠ WARNING

Always wear safety glasses when cleaning your STEYR pistol to protect your eyes from cleaning materials.

⚠ WARNING

Always make sure that no ammunition is located in the area where you clean your STEYR pistol. Cleaning solvents can affect the primer and powder in ammunition and cause it to malfunction. This could result in a bullet being pushed into the barrel of your STEYR pistol and getting stuck. Firing another round with a bullet stuck in the barrel could cause the barrel to burst and result in death or serious personal injury, in addition to damaging the pistol.

Main parts for cleaning

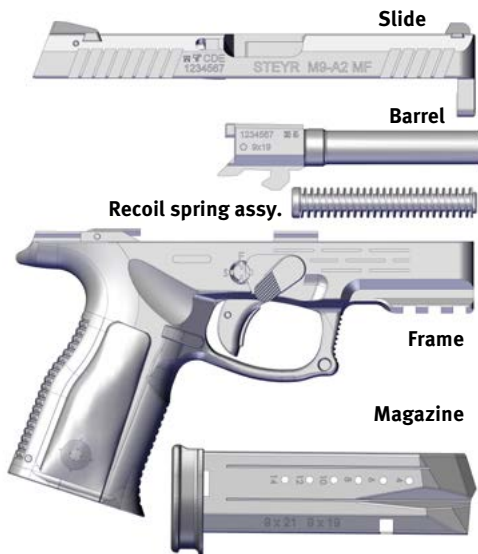


Fig. 24

Clean and lubricate the main parts of your STEYR pistol after you fire it or whenever it becomes exposed to sand, dust or water (including humidity or condensation). Proper maintenance is important to ensure that your STEYR pistol functions correctly. To clean your STEYR pistol, first disassemble it pursuant to the instructions in Chapter 5. Always use cleaning patches and brushes of the proper size for the caliber of your STEYR pistol.

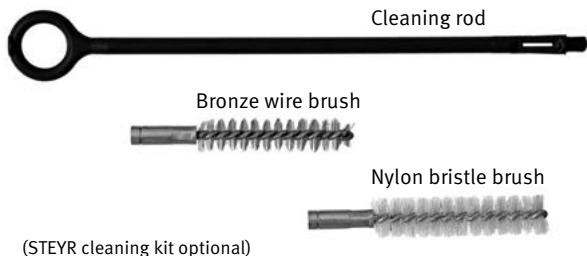


Fig. 25

After you have disassembled your STEYR pistol, clean the inside of the barrel as follows:

1. Wet a cleaning patch with a gun cleaning solvent or a cleaner-lubricant-preservative and run it through the barrel, from the chamber end, several times using a cleaning rod.
2. Wet a bronze wire brush and run it back and forth in the barrel, from the chamber end, using a cleaning rod to remove any fouling and burned powder.
3. Wet another cleaning patch with a gun cleaning solvent or a cleaner-lubricant-preservative and run it through the barrel once, from the chamber end, with the cleaning rod and examine it. If it is not clean, repeat steps two and three until the patch remains clean after being run through the barrel.
4. Run a clean patch through the barrel, from the chamber end, using the cleaning rod.
5. Lightly wet a clean patch with gun oil and run it through the barrel from the chamber end.
6. Before firing your STEYR pistol, run a clean patch through the barrel, from the chamber end, using the cleaning rod. Repeat this procedure until the patch comes out of the barrel with no gun oil on it.

NOTE: If you will be storing your STEYR pistol, do not perform step 6 until you are ready to fire it.

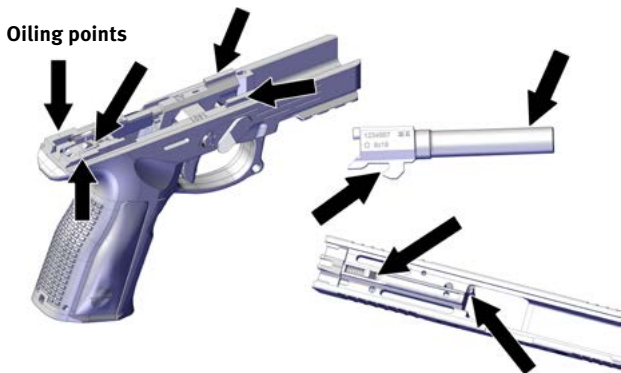


Fig. 26

Clean the slide, rails, outside of the barrel, and slide catch as follows:

1. Wet a nylon bristle brush with a gun cleaning solvent or a cleaner-lubricant-preservative and thoroughly brush these areas to remove any dirt or residue.
2. Wipe the areas dry with a clean patch and examine it. If it is not clean, repeat steps one and two until the patch remains clean.
3. Apply a thin film of gun oil to the firing pin, bolt lock guides, and the outside of the front end of the barrel as shown in the above illustration.

 **CAUTION**

Do not over lubricate your STEYR pistol because too much lubricant can collect unburned powder and other debris and prevent your STEYR pistol from functioning properly.

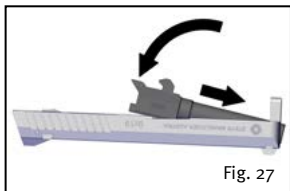
Reassemble your STEYR pistol as described in Chapter 7.

7. Reassembly

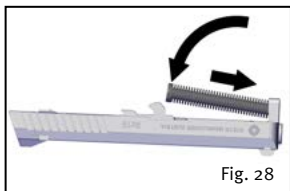
⚠ WARNING

Always wear safety glasses when reassembling your STEYR pistol to protect your eyes from components that are under pressure, such as springs.

To reassemble your STEYR pistol after cleaning it, follow the instructions below.



1. Holding the barrel by the bolt lock, insert it into the slide by pushing it down and in.



2. Insert the recoil spring into the slide by pressing it down and in.



3. Push the slide onto the grip frame towards the back.
4. Swing the disassembly lever back up

8. Adjustment of the grip

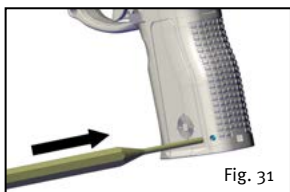


Before changing the backstrap and grip panels, make sure that the pistol is unloaded (magazine removed and chamber empty).



Fig. 30

The grip of the STEYR L-A2, M-A2, and C-A2 pistols can be individually adapted to the shooter's hand by replacing the exchangeable backstrap and the grip panels.

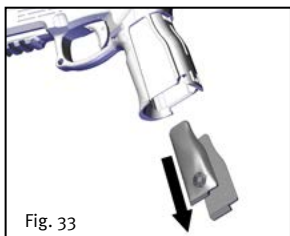


Changing the backstrap and the grip panels

1. Push the cylinder pin out of the frame with a 3mm pin punch.



2. Push the backstrap down and swing it up and away from the frame.



3. Slide the left and right grip panels down and off of the frame.



4. Align the left and the right grip panels in the size you need in the grooves on the frame and slide them up on the frame.



5. Insert the top of the backstrap in the size you need in the opening at the top of the frame and swing it down and against the frame.



6. Insert the cylinder pin in the hole in the frame and push it through until it is flush.

9. Warranty and product service

LIMITED LIFETIME OPERATIONAL WARRANTY

Subject to the terms, conditions and limitations outlined below, STEYR ARMS, Inc. guarantees your STEYR pistol against defects in materials and workmanship that adversely affect its operation for the life of the original retail purchaser as long as he or she continues to own it.

This warranty applies to STEYR firearms purchased on or after January 1, 2019. To activate the lifetime warranty, you must complete the warranty registration form available at <https://www.steyr-arms.com/us/warranty>, within ninety days of the purchase of your STEYR pistol.

WHAT WILL STEYR ARMS. INC. DO IN RESPONSE TO A WARRANTY CLAIM?

In the event of a defect in materials or workmanship that adversely affects the operation of your STEYR pistol STEYR ARMS, Inc. will repair or replace your STEYR pistol at its sole discretion, free of charge. If STEYR ARMS, Inc. chooses to replace your STEYR pistol instead of repairing it, it will replace it with the same make and model of firearm, if that model of firearm is: (1) still sold by STEYR ARMS, Inc.; and (2) legal for you to possess pursuant to applicable law. If the same model of firearm is no longer sold by STEYR ARMS, Inc., or that model of firearm is not legal for you to possess pursuant to applicable law, STEYR ARMS, Inc. will replace it with a similar firearm that: (1) it currently sells; and is (2) legal for you to possess, at its sole discretion.

HOW TO MAKE A WARRANTY CLAIM

To make a claim under this warranty, contact STEYR ARMS, Inc. at: 2530 Morgan Road, Bessemer, AL 35022, or by telephone at (205) 417-8644 for instructions on how to return your STEYR pistol. Do not return your STEYR pistol for service without prior authorization because of federal and state law restricting the shipment of firearms.

LIMITATIONS OF WARRANTY

This warranty applies only to firearms sold in the United States by STEYR ARMS, Inc.

This warranty does not apply to the normal wear and tear of parts that must be periodically replaced, including, but not limited to, springs, and tritium night sights.

This warranty shall not operate to extend the statute of limitations for product liability actions, or extend the time limit or the effect of any statute of repose.

There are no warranties that extend beyond the description on the face hereof.

The sole and exclusive remedy pursuant to this warranty is the repair or replacement of your STEYR pistol, at the sole discretion of STEYR ARMS, Inc.

The implied warranties of merchantability and fitness for a particular purpose are expressly limited to one year from the date of the original retail purchase of your STEYR pistol.

All disclaimers and limitations of liability shall still apply even if the limited remedy of repair and replacement fails of its essential purpose.

The warranty will be void if any of the following occur:

- (1) the instructions in the Owner's Manual are not followed;
- (2) your STEYR pistol or any of its parts are altered or modified from their original state;
- (3) damage is caused by misuse, abuse or improper maintenance;

(4) damage is caused by reloaded or remanufactured ammunition, or ammunition that does not meet SAAMI, CIP or NATO standards;

(5) your STEYR pistol is disassembled beyond the instructions in Chapter 5 of the Owner's Manual; or

(6) your STEYR pistol is not properly maintained. STEYR ARMS, Inc. recommends that you have your STEYR pistol professionally cleaned and inspected at least once every five years or every five thousand rounds, whichever comes first.

REQUIREMENTS FOR BREACH OF WARRANTY CLAIMS

Any action against STEYR ARMS, Inc. based on an alleged breach of this warranty must be brought within one (1) year of the claimed breach.

Any action against STEYR ARMS, Inc. based on an alleged breach of this warranty shall be governed by the substantive law of Alabama, without regard to its conflict of laws rules, and must be brought exclusively in a state court located in Jefferson County, Alabama, or in the United States District Court for the Northern District of Alabama.

STEYR ARMS, Inc.'s liability for breach of warranty shall be limited to repair or replacement of your STEYR pistol, at the sole discretion of STEYR ARMS, Inc.

In states where permitted, STEYR ARMS, Inc. assumes no liability for incidental or consequential damages, or for incidental expenses.

10. Technical data

	L9 - A2	L40 - A2
Caliber	9 x 19 mm	40 S&W
Magazine capacity	17	15
Weight (with empty magazine)	27.76 oz / 787 g (with 17 rounds magazine)	28.26 oz / 801 g (with 15 rounds magazine)
Weight of empty magazine	3.14 oz / 89 g	3.00 oz / 85 g
Overall Length	7.9" / 200,5 mm	
Overall Height	5.59" / 142 mm (with 17 rounds magazine)	5.59" / 142 mm (with 15 rounds magazine)
Overall Width	1.3" / 33 mm	
Length of sight	6.7" / 170 mm	
Barrel length	4.53" / 115 mm	
Barrel profile	6 lands and grooves, right handed	
Trigger system	Reset action system (special double action system)	
Trigger travel (constant)	0.15" / 4 mm	
Trigger pull	5.51 lb / ~ 2.5 kg	
Reset action safeties	Trigger safety and drop safety	

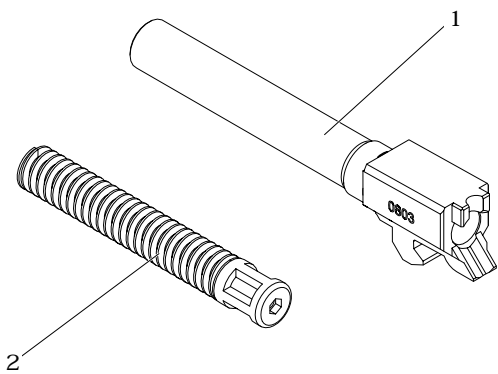
Subject to technical changes!

	M9 - A2	M40 - A2
Caliber	9 x 19 mm	40 S&W
Magazine capacity	17	15
Weight (with empty magazine)	27.02 oz / 780 g	27.31 oz / 791 g
Weight of empty magazine	3.14 oz / 89 g	3.00 oz / 85 g
Overall Length	7.36" / 187 mm	
Overall Height	5.59" / 142 mm (with 17 rounds magazine)	5.59" / 142 mm (with 15 rounds magazine)
Overall Width	1.3" / 33 mm	
Length of sight	6.22" / 158 mm	
Barrel length	4.01" / 102 mm	
Barrel profile	6 lands and grooves, right handed	
Trigger system	Reset action system (special double action system)	
Trigger travel (constant)	0.15" / 4 mm	
Trigger pull	5.51 lb / ~ 2.5 kg	
Reset action safeties	Trigger safety and drop safety	

Subject to technical changes!

	C9 - A2	C40 - A2
Caliber	9 x 19 mm	40 S&W
Magazine capacity	17	15
Weight (with empty magazine)	27.02 oz / 766 g	27.52 oz / 780 g
Weight of empty magazine	3.14 oz / 89 g	3.00 oz / 85 g
Overall Length	6.97" / 177 mm	6.9" / 181 mm
Overall Height	5.59" / 142 mm (with 17 rounds magazine)	5.59" / 142 mm (with 15 rounds magazine)
Overall Width	1.3" / 33 mm	
Length of sight	5.84" / 148,5 mm	6" / 152 mm
Barrel length	3.62" / 92 mm	3.78" / 96 mm
Barrel profile	6 lands and grooves, right handed	
Trigger system	Reset action system (special double action system)	
Trigger travel (constant)	0.15" / 4 mm	
Trigger pull	5.51 lb / ~ 2.5 kg	
Reset action safeties	Trigger safety and drop safety	

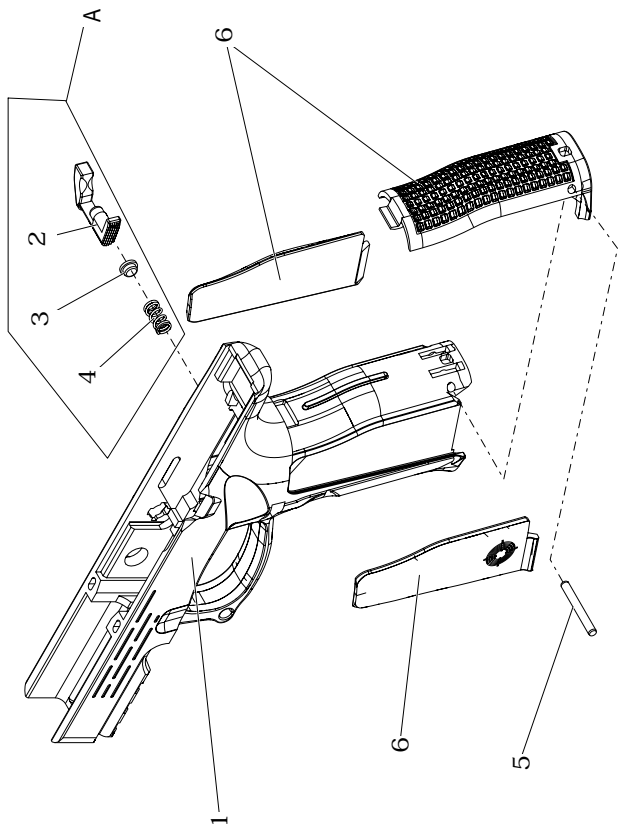
Subject to technical changes!



11. Parts list

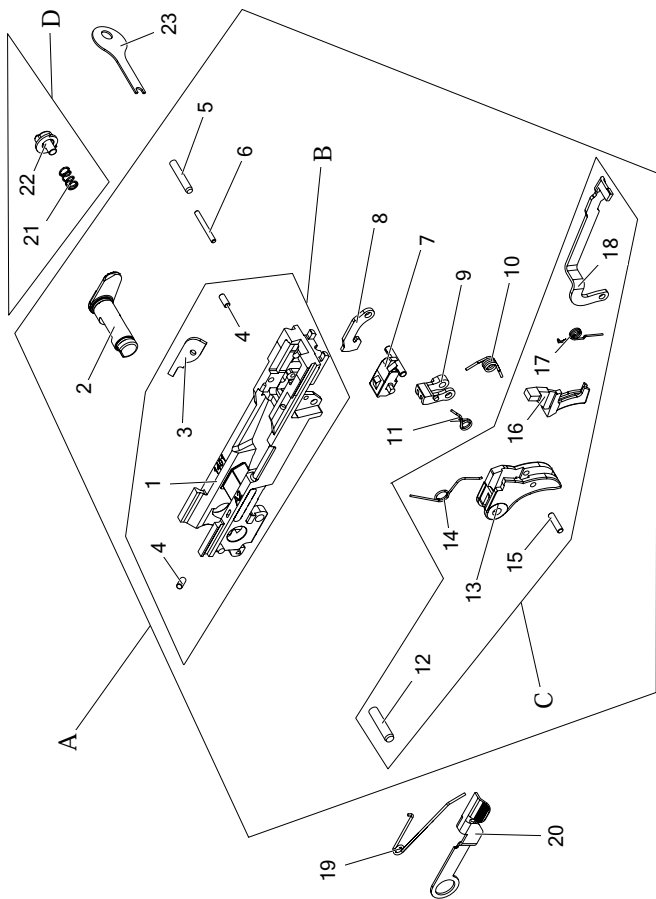
Barrel and recoil spring group

Item	Description
1	Barrel L 9x19 115MM
1	Barrel M 9x19 102MM
1	Barrel C 9x19 92MM
1	Barrel L 40S&W 115MM
1	Barrel M 40S&W 102MM
1	Barrel C 40S&W 96MM
2	Recoil spring assembly L 9x19
2	Recoil spring assembly L 40S&W
2	Recoil spring assembly M
2	Recoil spring assembly C



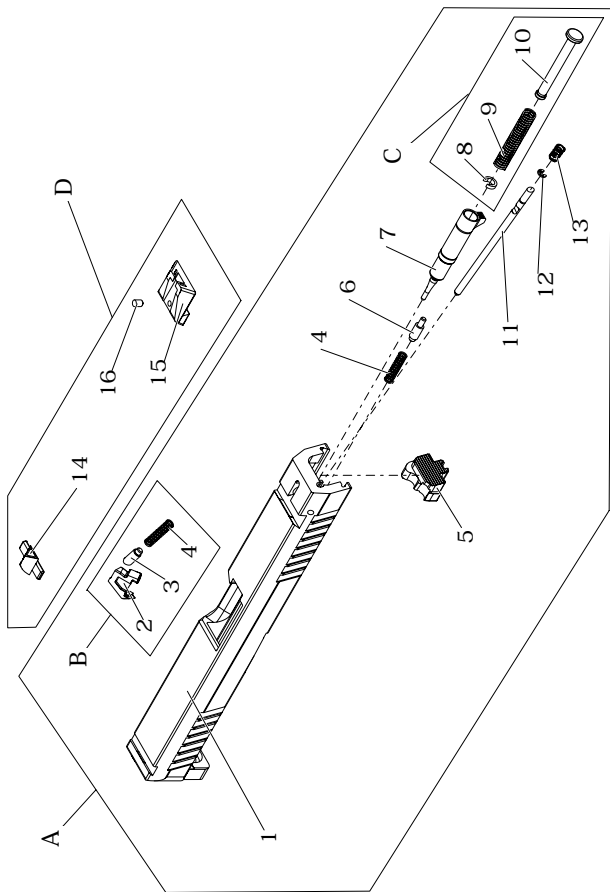
Grip Group

Item	Description
A	Set magazine release, changeable
1	Grip A2-L / RAL 9011
1	Grip A2-M / RAL 9011
1	Grip A2-C / RAL 9011
2	Magazine release, changeable
3	Magazine release rest
4	Spring
5	Cylinder Pin 3x26
6	Backstrap and grip panel set



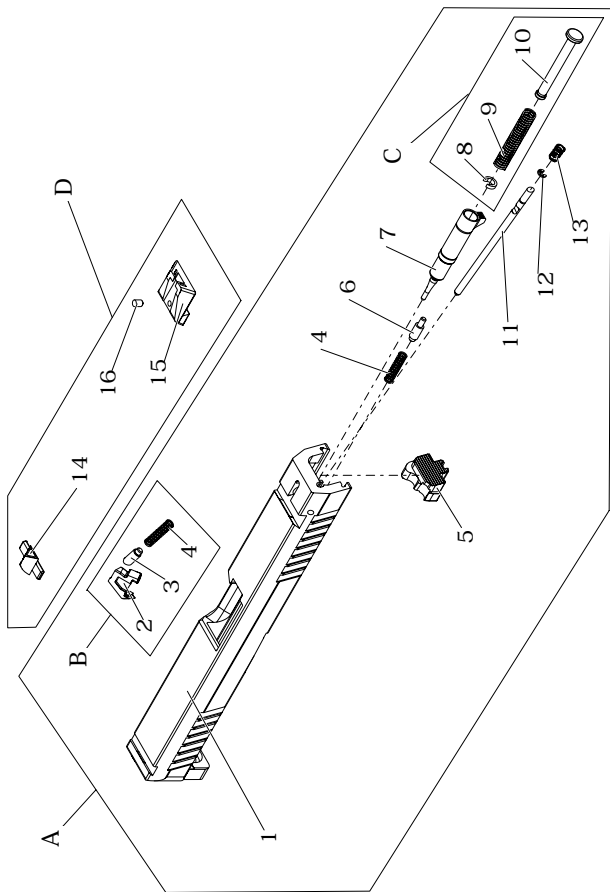
Multifunction element group

Item	Description
A	Set multifunction element A2
B	Multifunction element A2 with ejector
C	Set trigger 1.5
D	Key lock, assembly
D	Key lock, assembly, handcuff
1	Slide guide A2
2	Disassembly lever
3	Ejector pistol A2
4	Coiled spring pin 2.5x6 (x2)
5	Cylinder pin 3x18
6	Cylinder pin 2x18
7	Catch
8	Drop safety
9	Lever
10	Lever spring
11	Catch spring
12	Cylinder pin 4x18
13	Trigger
14	Trigger spring
15	Coiled spring pin 2.5x10
16	Trigger safety
17	Trigger bar spring
18	Trigger bar
19	Slide catch spring
20	Slide catch
21	Key lock spring
22	Key lock
22	Key lock handcuff
23	Key

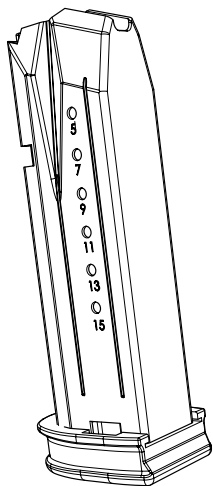


Slide group

Item	Description
A	Set slide l, caliber 9x19
A	Set slide m, caliber 9x19
A	Set slide c, caliber 9x19
A	Set slide l, caliber 40S&W
A	Set slide m, caliber 40S&W
A	Set slide c, caliber 40S&W
B	Set extractor, caliber 9x19
B	Set extractor, caliber 40S&W
C	Firing pin spring guide sub-assy., Standard
C	Firing pin spring guide sub-assy., Reinforced
D	Set triangular sight
D	Set match sight
D	Set rectangular sight
1	Slide l, caliber 9x19
1	Slide m, caliber 9x19
1	Slide c, caliber 9x19
1	Slide l, caliber 40S&W
1	Slide m, caliber 40S&W
1	Slide c, caliber 40S&W
2	Extractor A2 pistol, caliber 9x19
2	Extractor pistol, caliber 40S&W
3	Extractor pin
4	Extractor spring (x2)
5	Slide plate, standard
5	Slide plate, loaded chamber indicator
6	Slide plate pin
7	Firing pin
8	Firing pin spring washer
9	Firing pin spring, standard



Item	Description
9	Firing pin spring, reinforced
10	Firing pin spring guide
11	Loaded chamber indicator, only model L
12	Retaining washer, only model L
13	Loaded chamber indicator spring, only model L
14	Front sight, triangular
14	Front sight, match
14	Front sight, rectangular
15	Rear sight, triangular
15	Rear sight, match
15	Rear sight, rectangular
16	Rear sight screw M3x3





Magazine

Item	Denomination	Quantity
A	Magazine 17 rds, caliber 9x19	
A	Magazine 10 rds, caliber 9x19	
A	Magazine 15 rds, caliber 40S&W	
A	Magazine 10 rds, caliber 40S&W	

12. State required warnings

CALIFORNIA

 **WARNING:** “Firearms must be handled responsibly and securely stored to prevent access by children and other unauthorized users. California has strict laws pertaining to firearms, and you may be fined or imprisoned if you fail to comply with them. Visit the Web site of the California Attorney General at <https://oag.ca.gov/firearms> for information on firearm laws applicable to you and how you can comply. Prevent child access by always keeping guns locked away and unloaded when not in use. If you keep a loaded firearm where a child obtains and improperly uses it, you may be fined or sent to prison.”

 **ADVERTENCIA:** “Las armas de fuego deben manipularse de manera responsable y segura para evitar el acceso de niños y otros usuarios no autorizados. California tiene leyes estrictas relacionadas con armas de fuego, y usted puede ser multado o encarcelado si no las cumple. Visite la página web del Procurador General de California en <https://oag.ca.gov/firearms> para obtener información sobre las leyes de armas de fuego que le son aplicables y cómo puede cumplirlas. Evite el acceso de niños manteniendo siempre las armas bloqueadas y descargadas cuando no estén en uso. Si mantiene un arma de fuego cargada donde un niño obtiene y la usa indebidamente, se le puede multar o enviar a prisión.”

CONNECTICUT

“UNLAWFUL STORAGE OF A LOADED FIREARM MAY RESULT IN IMPRISONMENT OR FINE.”

FLORIDA

“IT IS UNLAWFUL, AND PUNISHABLE BY IMPRISONMENT AND FINE, FOR ANY ADULT TO STORE OR LEAVE A FIREARM IN ANY PLACE WITHIN THE REACH OR EASY ACCESS OF A MINOR UNDER 18 YEARS OF AGE OR TO KNOWINGLY SELL OR OTHERWISE TRANSFER OWNERSHIP OR POSSESSION OF A FIREARM TO A MINOR OR A PERSON OF UNSOUND MIND.”

MAINE

“ENDANGERING THE WELFARE OF A CHILD IS A CRIME. IF YOU LEAVE A FIREARM AND AMMUNITION WITHIN EASY ACCESS OF A CHILD, YOU MAY BE SUBJECT TO FINE, IMPRISONMENT OR BOTH. KEEP FIREARMS AND AMMUNITION LOCKED UP. USE TRIGGER LOCKS.”

MARYLAND

WARNING: “Children can operate firearms which may cause death or serious injury. It is a crime to store or leave a loaded firearm in any location where an individual knew or should have known that an unsupervised minor would gain access to the firearm. Store your firearm responsibly!”

MASSACHUSETTS

“WARNING FROM THE MASSACHUSETTS ATTORNEY GENERAL: This handgun is not equipped with a device that fully blocks use by unauthorized users. More than 200,000 firearms like this one are stolen from their owners every year in the United States. In addition, there are more than a thousand suicides each year by younger children and teenagers who get access to firearms. Hundreds more die from accidental discharge. It is likely that many more children sustain serious wounds, or inflict such wounds accidentally on others. In order to limit the chance of such misuse, it is imperative that you keep this weapon locked in a secure place and take reasonable preventive steps necessary to limit the possibility of theft or accident. Failure to take reasonable preventive steps may result in innocent lives being lost, and in some circumstances may result in your liability for these deaths.”

“IT IS UNLAWFUL TO STORE OR KEEP A FIREARM, RIFLE, SHOTGUN OR MACHINE GUN IN ANY PLACE UNLESS THAT WEAPON IS EQUIPPED WITH A TAMPER-RESISTANT SAFETY DEVICE OR IS STORED OR KEPT IN A SECURELY LOCKED CONTAINER.”

NEW JERSEY

“IT IS A CRIMINAL OFFENSE, PUNISHABLE BY A FINE AND IMPRISONMENT, FOR AN ADULT TO LEAVE A LOADED FIREARM WITHIN EASY ACCESS OF A MINOR.”

NEW YORK CITY

“THE USE OF A LOCKING DEVICE OR SAFETY LOCK IS ONLY ONE ASPECT OF RESPONSIBLE WEAPON STORAGE. ALL WEAPONS SHOULD BE STORED UNLOADED AND LOCKED IN A LOCATION THAT IS BOTH SEPARATE FROM THEIR AMMUNITION AND INACCESSIBLE TO CHILDREN AND ANY OTHER UNAUTHORIZED PERSONS.”

NORTH CAROLINA

“IT IS UNLAWFUL TO STORE OR LEAVE A FIREARM THAT CAN BE DISCHARGED IN A MANNER THAT A REASONABLE PERSON SHOULD KNOW IS ACCESSIBLE TO A MINOR.”

“Any person who resides in the same premises as a minor, owns or possesses a firearm, and stores or leaves the firearm (i) in a condition that the firearm can be discharged and (ii) in a manner that the person knew or should have known that an unsupervised minor would be able to gain access to the firearm, is guilty of a Class 1 misdemeanor if a minor gains access to the firearm without the lawful permission of the minor’s parents or a person having charge of the minor and the minor: (1) Possesses it in violation of G.S. 14-269.2(b); (2) Exhibits it in a public place in a careless, angry, or threatening manner; (3) Causes personal injury or death with it not in self defense; or (4) Uses it in the commission of a crime.”

TEXAS

“IT IS UNLAWFUL TO STORE, TRANSPORT, OR ABANDON AN UNSECURED FIREARM IN A PLACE WHERE CHILDREN ARE LIKELY TO BE AND CAN OBTAIN ACCESS TO THE FIREARM.”

WISCONSIN

“IF YOU LEAVE A LOADED FIREARM WITHIN THE REACH OR EASY ACCESS OF A CHILD YOU MAY BE FINED OR IMPRISONED OR BOTH IF THE CHILD IMPROPERLY DISCHARGES, POSSESSES, OR EXHIBITS THE FIREARM.”

NOTE: State laws and regulations concerning firearms change constantly. Please check with your State Attorney General’s Office or state police for additional laws and regulations regarding the storage and use of firearms in your state.

Notes



STEYR ARMS, Inc.
2530 Morgan Road
Bessemer, AL 35022
P: (205) 417-8644
www.steyr-arms.com/us