



5140 Commerce Ave. Unit A&B Moorpark, CA 93021  
(805) 978 - 8565 (805) 978 - 8564  
[info@dickinsonarms.com](mailto:info@dickinsonarms.com)

# USER'S MANUAL

MODEL : XX3 PUMP SHOTGUN



**READ THE INSTRUCTIONS AND WARNINGS  
IN THIS MANUAL CAREFULLY BEFORE USING  
THIS SHOTGUN!**

# INDEX

SAFETY RULES .....	2
ABOUT YOUR PUMP SHOTGUN .....	3
SAFETY MECHANISM .....	3
ASSEMBLY AND DISASSEMBLY .....	4
LOADING YOUR SHOTGUN .....	5
CHOKE TUBES .....	6
MAINTENANCE AND CLEANING .....	7
STORAGE .....	7
HAZARDOUS MATERIAL WARNING .....	7
OPTIONAL PART LIST .....	8
EXPLODED VIEW .....	9-10
XX3 SHOTGUNS' MODELS .....	11-12-13
NOTES .....	14

## SAFETY RULES

Observe these rules of safe gun handling.

1. Always keep the muzzle pointed in a safe direction. Watch the muzzle at all times: never point a gun, accidentally or intentionally, at any person or anything you do not intend to shoot. Identify the target before shooting; do not shoot at sounds.
2. Always treat a gun as if it is loaded - it may be !
3. Keep your finger off the trigger while operating the action and at all other times until you are ready to fire.
4. Keep the safety "on" or in the "safe" position at all times until you are ready to fire. Do not rely on your gun's safety, the safety on any gun is a mechanical device and is not intended as a substitute for common sense or safe gun handling.
5. Learn how your gun functions and handles. If you do not thoroughly understand the proper use and care of your gun, seek the advice of someone who is knowledgeable.
6. Do not alter or modify any part of the firearm.
7. Store guns unloaded, separate from any ammunition, and out of the reach of children.
8. Be sure the barrel is clear of any obstructions before loading.  
  
Make it a habit to check the barrel every time before loading.
9. Be sure you have and use the proper ammunition. A 20 gauge shell will enter a 12 gauge chamber far enough so that a 12 gauge shell can be loaded behind it. Also, a 3 inch shell may fit into a 2 3/4" inch chamber, but the crimp at the mouth of the shell will unfold into the forcing cone. If either of these things occur it can result in serious injury or death to you and those around you.
10. Wear protective shooting glasses and adequate ear protection when shooting.
11. Never climb or jump over anything, such as a tree, fence, or ditch, with a loaded gun. Open the action, remove the shells and hand the gun to someone else or place it on the ground on the other side of the obstacle before crossing it yourself. Do not lean a gun against a tree or other object; it could fail and possibly discharge.
12. Do not shoot at a hard surface or at water. Bullet and shot can ricochet or bounce off and travel in unpredictable directions with great velocity.
13. Never transport a loaded gun. Do not place a loaded gun into a vehicle. The gun should be unloaded and placed into a case when not in use.
14. Never drink alcoholic beverages before or during shooting.

## ABOUT YOUR PUMP SHOTGUN

Your shotgun is manually operated. Once a shell has been fired, the locking lug in the bolt moves down, unlocking the gun. The forearm can then be moved to the rear and forward again, ejecting and loading a new shell.

To open the bolt without firing the gun, depress the action bar lock, located just beside and forward of the trigger. This allows for opening the action without dry firing.

The magazine tube will only accept 5 rounds 2 3/4" . shells or 4 rounds 3" shells

Please check if your shotgun model includes mobile chokes.

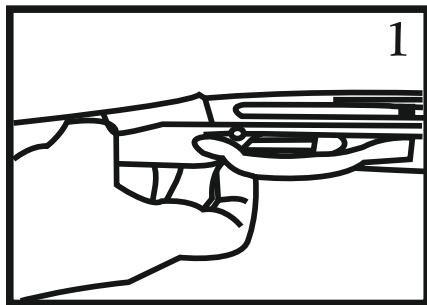
## SAFETY MECHANISM

The safety is designed to stop the trigger mechanism.

**DON'T RELY ON YOUR GUN'S SAFETY. TREAT EVERY GUN AS IF IT WERE LOADED AND READY TO FIRE.** The safety on any gun is a mechanical device, and it is not intended as a substitute for common sense or safe gun handling. Always keep the muzzle pointed in a safe direction.

A- The safety is located behind the trigger, and provides protection against accidental or unintentional discharge under normal usage when properly used.

B- To engage the safety, push the button so that it protrudes from the right side of the gun and the RED BAND MARKING CAN NOT BE SEEN. The safety should always be in the "on" or "safe" position until intend to fire the gun. ( Photo 1 )

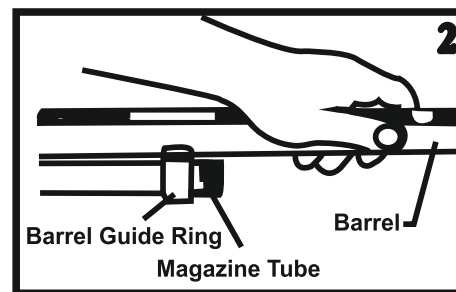


C - When you are ready to fire the gun, press the safety button to the "off" position so that the safety protrudes from the left side of the gun and the RED BAND MARKING IS SHOWING.

**DANGER:** The gun will fire when the trigger is pulled intentionally or accidentally when the RED BAND MARKING IS SHOWING.

## ASSEMBLY

1. Remove the magazine cap.
2. Press upward on the action bar lock. Pull the forearm approximately half way
3. Hold the barrel ahead of the barrel guide ring ( See picture 2). rearward.



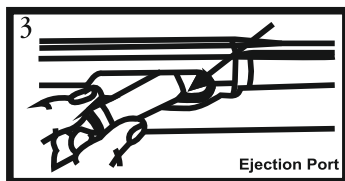
4. Slide the barrel guide ring over the magazine tube. Clean the barrel following the instructions on Page 8.
5. Press upward on the action bar lock.
6. Align the ejector on the receiver DO NOT FORCE IT !
7. Carefully set the barrel into the receiver. DO NOT FORCE IT!
8. Replace the magazine cap. Tighten.

## DISASSEMBLY

1. Make sure the gun is unloaded!
2. Point firearm in a safe direction
3. Push up on the action bar lock.
4. Slide forearm forward half way.
5. Unscrew and remove the magazine cap.
6. Pull the barrel carefully out of the receiver.
7. Push the carrier forward.
8. Press and hold the action bar lock.
9. Slide the forearm forward and off the magazine tube.

## LOADING YOUR SHOTGUN - ONE SHELL ONLY -

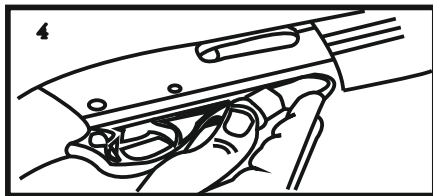
1. Put safety in the "on" position.
2. Point the gun in a safe direction.
3. Push up on the action bar lock.
4. Pull the forearm completely to the rear and carefully hold it for the return spring models
5. Put one shell through the ejection port, making sure it is the correct gauge and length. ( See picture 3)
6. Push the forearm forward and close the action.



## FULLY LOADING YOUR SHOTGUN

1. Put safety in the "on" position.
2. Point the gun in a safe direction.
3. Push up on the action bar lock.
4. Pull the forearm completely to the rear and carefully hold it for the return spring models
5. Put one shell through the ejection port, making sure it is the correct gauge and length. (See picture 3)
6. Push the forearm forward and close the action.
7. Push a shell upward against the bottom of the carrier. (See picture 4)
8. Push two (2) to four (4) shells, one at a time, fully forward into the magazine tube.

**FOR THE MODELS WITH RETURN SPRING IN THE FOREND. YOU DO NOT NEED TO PUSH THE FOREARM TO CLOSE THE ACTION. THIS WILL BE DONE AUTOMATICALLY BY THE HELP OF THE SPRING. THE SPRING WILL CLOSE THE ACTION AT A VERY FAST RATE. USE CAUTION AND WATCH OUT FOR YOUR FINGERS AND LOOSE CLOTHING.**



## USAGE OF CHOKE TUBES (IF YOUR SHOTGUN INCLUDES)

	SKEET	IC	M	IM	F
CHOKE TUBE					
BBLs	★★★★★	★★★★★	★★★	★★	★

The choke controls how open or tight the pattern of the shot will be. The chart above lists the chokes available (from open to tight), and the marks that indicate the specific choke.

Never fire your gun or run cleaning tools through a barrel that uses a choke tube without having a choke installed. The threads of the choke tube and the internal threads of the barrel should be cleaned after each use and before installation of the tube. Your shotgun uses Beretta®

/ Benelli ® style choke tubes. To install a tube, insert the tube into the top of the barrel and tighten with your fingers. Once the tube is finger tightened, tighten the rest of the way with the appropriate choke tube wrench until the tube is snug. DO NOT over tighten or forcefully tighten with the wrench.

## IMPORTANT USAGE OF STEEL SHOT

The choke (before constriction) in all modern shotguns has been established based on the pattern performance of shot shells loaded with lead shot. When using steel shot shells, you will notice a different performance in pattern density versus the established lead shot pattern, because the steel shot is harder and lighter than lead shot.

**You should be aware of the following differences and cautions:  
Never shoot steel shot loads in a full choked barrel or an improved modified choked barrel. Doing so, may cause the barrel to swell or rupture.**

In general, steel shot fired with a modified choke will produce the equivalent of a lead full choke pattern. This will be true of all steel shot sized up to and including no. 2. The established improved cylinder chokes will produce the equivalent of a (lead) modified pattern. All steel shot sized larger than no.2, and including special sized such as F,T,etc., should be used only with improved cylinder choke, will produce equivalent to ( lead) full choke patterns. The established cylinder choke or bore will produce the equivalent of an improved cylinder (lead) pattern. Additional information Concerning the use of steel shot is available from the ammunition companies.

## MAINTENANCE CLEANING

Caution : Make sure the gun in UNLOADED.

1. Make sure the broad, polished finely fitted mating surface of the breech block and receiver is especially clean and lightly oiled with high quality gun oil. Do not use silicone or lanolin (Do not use WD-40).

2. Run an oil patch through the bore with a cleaning rod starting from the breech end. To prevent leading, use a cleaning solvent and brass brush to clean the bore periodically. Follow this cleaning with one or two clean oil patches. Important: If your gun is equipped with choke tubes, do not use a brass brush to clean the barrels without having a choke tube installed. Barrels that utilize choke tubes must also have the choke tubes installed. This will protect the threads and prevent dirt build up that can cause tubes to become difficult to remove.

Never fire your gun without choke tubes snugly tightened in barrels. Do not over tighten choke tubes. Wipe all exposed metal surfaces with an oiled cloth before storing. Do not squirt or pour oil into the inside mechanism because it may hamper proper functioning. After extended periods of heavy use, your gun should be taken to a qualified gunsmith to have the action disassembled for professional cleaning and lubrication.

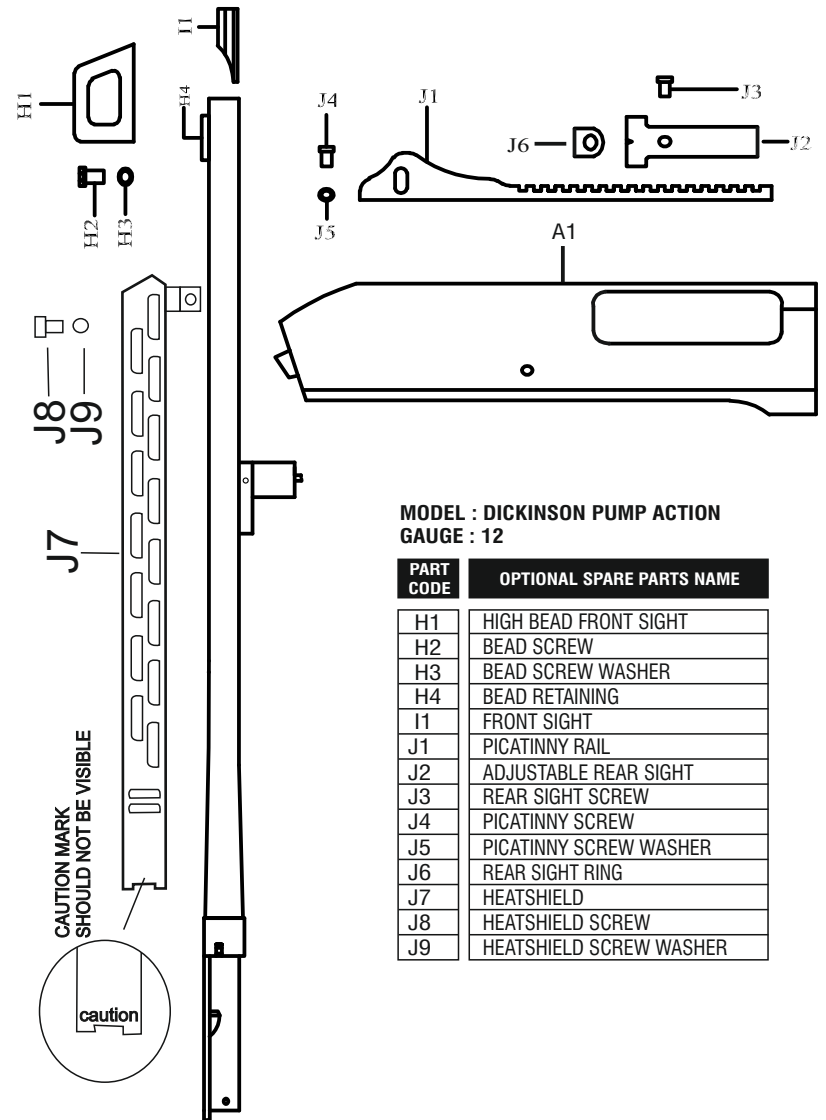
3. Care for your wood stock and forearm the same way you would a piece of furniture with the same finish.

## STORAGE

Clean thoroughly and oil your gun before storage. Store the gun in a case to prevent scratches and dents. Store your firearm in a dry place to prevent corrosion. Store the gun away from children and in a place where it cannot be obtained by those unauthorized to use it. Always store gun unloaded and separately from any ammunition.

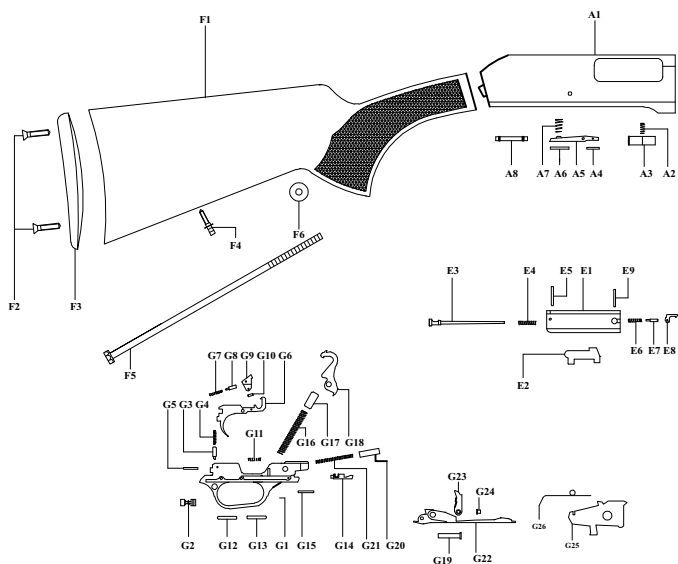
## HAZARDOUS MATERIAL WARNING

Discharging firearms in poorly ventilated areas, cleaning firearms, or handling ammunition, may result in exposure to lead and other substances known to cause birth defects, reproductive harm, and other serious injury. Have adequate ventilation at all times. Wash hands thoroughly after exposure.



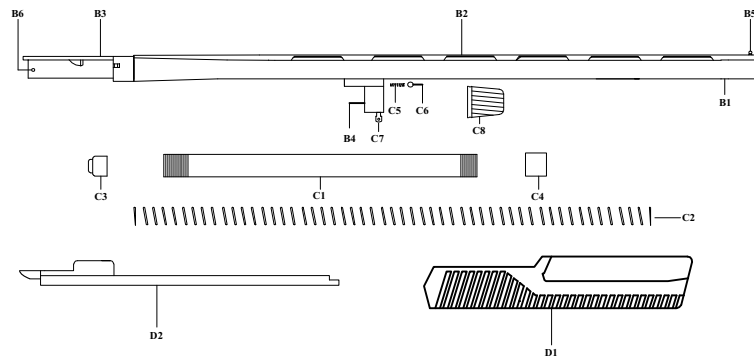
MODEL : DICKINSON PUMP ACTION  
GAUGE : 12

PART CODE	OPTIONAL SPARE PARTS NAME
H1	HIGH BEAD FRONT SIGHT
H2	BEAD SCREW
H3	BEAD SCREW WASHER
H4	BEAD RETAINING
I1	FRONT SIGHT
J1	PICATINNY RAIL
J2	ADJUSTABLE REAR SIGHT
J3	REAR SIGHT SCREW
J4	PICATINNY SCREW
J5	PICATINNY SCREW WASHER
J6	REAR SIGHT RING
J7	HEATSHIELD
J8	HEATSHIELD SCREW
J9	HEATSHIELD SCREW WASHER



**MODEL : DICKINSON PUMP ACTION**  
**GAUGE : 12**

PART CODE	PART NAME	PART CODE	PART NAME
A	RECEIVER GROUP	C	MAGAZINE GROUP
A1	RECEIVER	C1	MAGAZINE TUBE
A2	SPRING OF LOCK	C2	MAGAZINE SPRING
A3	LOCK OF CARTRIDGE LOADER	C3	MAGAZINE PLUG FRONT
A4	PLATE OF CARTRIDGE LOADER	C4	MAGAZINE PLUG REAR
A5	LATCH	C5	DETENT BALL SPRING
A6	LATCH PIN	C6	DETENT BALL
A7	LATCH SPRING	C7	SWIVEL HOLDER
A8	TRIGGER PLATE RETAINING PIN	C8	ACTION RETURN SPRING
B	BARREL GROUP	C9	MAGAZINE CAP
B1	BARREL	D	FOREND GROUP
B2	TOP RIB	D1	FOREND
B3	BARREL HOOD	D2	ACTION ARM
B4	BARREL COLLAR		
B5	SIGHT BEAD		
B6	EJECTOR PIN		



PART CODE	PART NAME	PART CODE	PART NAME
E	BOLT GROUP	G5	SAFETY BUTTON DETENT PIN
E1	BOLT	G6	TRIGGER
E2	LOCKING BOLT	G7	SAFETY SEAR SPRING
E3	FIRING PIN	G8	SAFETY SEAR SPRING PLUNGER
E4	FIRING PIN SPRING	G9	SAFETY SEAR
E5	FIRING PIN RETAINING PIN	G10	SAFETY SEAR PIN
E6	EXTRACTOR SPRING	G11	TRIGGER SPRING
E7	EXTRACTOR PLUNGER	G12	PIN OF TRIGGER HOLDER
E8	EXTRACTOR	G13	TRIGGER PIN
E9	EXTRACTOR PIN	G14	PIN OF CARTRIDGE CARRIER
F	STOCK GROUP	G15	LOCK PIN OF CARTRIDGE CARRIER
F1	STOCK	G16	HAMMER SPRING
F2	HEEL PAD SCREWS	G17	HAMMER PLUNGER
F3	HEEL PAD	G18	HAMMER
F4	STOCK SWIVEL	G19	CARRIER AXIS
F5	STOCK BOLT	G20	CARRIER DOG PLUNGER
F6	STOCK BOLT WASHER	G21	CARRIER DOG PLUNGER SPRING
G	TRIGGER GROUP	G22	CARTRIDGE CARRIER
G1	TRIGGER PLATE	G23	CARRIER DOG
G2	SAFETY BUTTON	G24	PIN OF CARRIER DOG
G3	SAFETY BUTTON DETENT	G25	MECHANISM LOCK
G4	SAFETY BUTTON DETENT SPRING	G26	SPRING OF MECHANISM LOCK



**XX3B-2**



**XX3T-2**



**XX3D-2**



**XX3BM-2**



**XX3D-M-2**



**XX3BCOMBO-2**



**XX3BWCOMBO-2**



**XX3BS28-2**



**XX3BW28-2**



**XX3B-HS-2**



**XX3B-M-HS-2**



**XX3T-HS-2**

**NOTES**

---