



# Owner's Manual

## IJ700 Series Single Barrel Shotgun



**IMPORTANT:** Before using this shotgun, read and follow the instructions of this manual in its entirety.

Do not use any type of reloaded or hand loaded shotshells with an IJ700 series shotgun. Doing so will void the warranty and could cause injury.

# Table of Contents

<b>Shotgun Specs</b>	<b>pg. 3</b>
<b>State by State Warnings</b>	<b>pg. 5</b>
<b>Firearm Safety &amp; Warnings</b>	<b>pg. 9</b>
<b>External Parts Diagram</b>	<b>pg. 15</b>
<b>Important Parts Description</b>	<b>pg. 16</b>
<b>Shotgun Assembly</b>	<b>pg. 19</b>
<b>Loading Your Shotgun</b>	<b>pg. 19</b>
<b>Firing Your Shotgun</b>	<b>pg. 22</b>
<b>Unloading Your Shotgun</b>	<b>pg. 22</b>
<b>Shotgun Disassembly</b>	<b>pg. 23</b>
<b>Shotgun Maintenance</b>	<b>pg. 23</b>
<b>Parts Illustration</b>	<b>pg. 26-27</b>
<b>Warranty Information</b>	<b>pg. 28</b>

## NOTICE

This shotgun should not be sold, transferred, or given to any one prohibited by law to possess a firearm. Contact your local Bureau of Alcohol, Tobacco, Firearms and Explosives (BATFE) and your local law enforcement agency for information relating to the lawful sale and/or transfer of firearms

This owner's manual should always be kept with this shotgun, even if transferred to another party. If you misplace or lose this manual, contact Iver Johnson Arms directly for a free replacement.

After any cleaning or disassembly of the shotgun, always re-check to make sure the shotgun functions properly before firing live ammunition.

Any mechanical alterations or modifications to the shotgun can lead to injury and/or death and will void the manufacturer warranty.

The use of reloaded ammunition can lead to injury and/or death and will also void the manufacturer warranty.

We specifically disclaim responsibility for any damage, injury or death occurring in connection with or as the result of the use of the shotgun with faulty, non-standard, remanufactured, hand loaded or reloaded ammunition for which the shotgun was originally chambered.

## IJ700 Specs

**Caliber:** .410 guage

**Chamber:** 2 ½" and 3"

**Capacity:** 1 shotshell

**Barrel:** 18.5" and 26" smooth bore

**Overall length 18.5 bbl":** 34"

**Overall length 26" bbl:** 41.5"

**Unloaded weight of 18.5" bbl; wood stock:** 4lbs. 8oz.

**Unloaded weight of 26" bbl; wood stock:** 4lbs. 14oz.

\*\*New models may be available in different calibers, barrel lengths, and/or finishes. See website for updates.\*\*

For the safety of yourself and others, read this owner's manual in its entirety before handling your shotgun. If there is any part of this manual that you do not understand, seek professional instruction from a licensed gun dealer, or call us at 321-636-3377.

Always keep this manual with this shotgun. If you give or sell this shotgun to another person, make sure this manual goes with the shotgun, along with the lock enclosed with your shotgun.

All Iver Johnson firearms come with a gun lock when shipped from the factory. Make sure this shotgun is unloaded and locked any time it is stored or not in use. Instructions on how to use the lock correctly are enclosed with the lock.



Never use any type of reloaded ammunition with this shotgun. The use of reloaded or hand-loaded ammunition is dangerous and will void the warranty. We specifically disclaim responsibility for any damage, injury or death occurring in connection with or as the result of the use of the shotgun with faulty, non-standard, remanufactured, hand loaded, or reloaded ammunition for which the shotgun was originally chamber.

**LEAD WARNING:** The actual firearm does not contain lead, but it does fire ammunition which contains lead or lead compounds known to the State of California to cause cancer, birth defects, reproductive toxicity, and other serious physical injuries. Those who discharge a firearm, stand near someone who discharges a firearm, or clean firearms are hereby warned of the dangers presented by lead and lead compounds and should take protective health measures. Avoid exposure to lead while handling and wash your hands after contact. Proper air ventilation is absolutely necessary when shooting indoors.

## **Attention**

Iver Johnson Arms will not be responsible for injury, death, or damage to property which is due to intentional or accidental discharge of this firearm. Iver Johnson Arms will not be responsible for injury, death, or damage to property due to gun corrosion, gun neglect, use of incorrect ammunition caliber, use of reloaded ammunition, unapproved firearm adjustments, or unapproved part replacements. Federal, and many state, regulations have laws covering storage of firearms and safety measures for keeping them away from children. Check the laws in your state.

Before this shotgun left the factory, it was inspected and tested. Iver Johnson cannot control what happens to this shotgun after it leaves the factory. Please examine this shotgun carefully when purchased to ensure it is unloaded and undamaged.

**This manual should always go with this shotgun. If this shotgun is sold, transferred, or given away, this manual should always accompany it.**

# State-By-State Warnings

Certain states require by law that their own specified warning notices in larger-than-normal type be conspicuously included by the manufacturer, distributor, or retail dealer with firearms sold in that state. Iver Johnson Arms, Inc. sells its products in compliance with applicable laws and regulations. Because our products may be sold in these states, we include the following:

## California:

**WARNING** - "Children are attracted to and can operate firearms that can cause severe injuries or death. Prevent child access by always keeping guns locked away and unloaded when not in use. If you keep a loaded firearm where a child obtains and improperly uses it, you may be fined or sent to prison."

**ADVERTENCIA** - "A los niños los atraen las armas de fuego y las pueden hacer funcionar. Ellos pueden causarse lesiones graves y la muerte. Evite que los niños tengan acceso a las armas de fuego guardándolas siempre con llave y descargadas cuando no las esté utilizando. Si usted tiene un arma de fuego cargada en un lugar en que un niño tiene acceso a ella y la usa indebidamente, le pueden dar una multa o enviarlo a la cárcel."

## Connecticut:

"UNLAWFUL STORAGE OF A LOADED FIREARM MAY RESULT IN IMPRISONMENT OR FINE."

## Florida:

"IT IS UNLAWFUL, AND PUNISHABLE BY IMPRISONMENT AND FINE, FOR ANY ADULT TO STORE OR LEAVE A FIREARM IN ANY PLACE WITHIN THE REACH OR EASY ACCESS OF A MINOR UNDER 18 YEARS OF AGE OR TO KNOWINGLY SELL OR OTHERWISE TRANSFER

# State-By-State Warnings

## Florida (con't):

OWNERSHIP OR POSSESSION OF A FIREARM TO A MINOR OR A PERSON OF UNSOUND MIND.”

## Maine:

“ENDANGERING THE WELFARE OF A CHILD IS A CRIME. IF YOU LEAVE A FIREARM AND AMMUNITION WITHIN EASY ACCESS OF A CHILD, YOU MAY BE SUBJECT TO FINE, IMPRISONMENT, OR BOTH. KEEP FIREARMS AND AMMUNITION SEPARATE. KEEP FIREARMS AND AMMUNITION LOCKED UP. USE TRIGGER LOCKS.”

## Maryland:

“WARNING: Children can operate firearms which may cause death or serious injury. It is a crime to store or leave a loaded firearm in any location where an individual knew or should have known that an unsupervised minor would gain access to the firearm. Store your firearm responsibly!”

## Massachusetts:

“WARNING FROM THE MASSACHUSETTS ATTORNEY GENERAL: This shotgun is not equipped with a device that fully blocks use by unauthorized users. More than 200,000 firearms like this one are stolen from their owners every year in the United States. In addition, there are more than a thousand suicides each year by younger children and teenagers who get access to firearms. Hundreds more die from accidental discharge. It is likely that many more children sustain serious wounds, or inflict such wounds accidentally on others. In order to limit the chance of such misuse, it is imperative that you keep this weapon locked in a secure place and take other steps necessary to limit the possibility of theft or accident. Failure to take reasonable preventative steps may result in innocent lives

# State-By-State Warnings

## Massachusetts (con't):

being lost, and in some circumstances may result in your liability for these deaths.”

“IT IS UNLAWFUL TO STORE OR KEEP A FIREARM, RIFLE, SHOTGUN, OR MACHINE GUN IN ANY PLACE UNLESS THAT WEAPON IS EQUIPPED WITH A TAMPER-RESISTANT SAFETY DEVICE OR IS STORED OR KEPT IN A SECURELY LOCKED CONTAINER.”

## New Jersey:

“IT IS A CRIMINAL OFFENSE TO LEAVE A LOADED FIREARM WITHIN EASY ACCESS OF A MINOR.”

## New York City:

“THE USE OF A LOCKING DEVICE OR SAFETY LOCK IS ONLY ONE ASPECT OF RESPONSIBLE FIREARMS STORAGE. FOR INCREASED SAFETY, FIREARMS SHOULD BE STORED UNLOADED AND LOCKED IN A LOCATION THAT IS BOTH SEPARATE FROM THEIR AMMUNITION AND INACCESSIBLE TO CHILDREN AND OTHER UNAUTHORIZED PERSONS.”

## North Carolina:

“IT IS UNLAWFUL TO STORE OR LEAVE A FIREARM THAT CAN BE DISCHARGED IN A MANNER THAT A REASONABLE PERSON SHOULD KNOW IS ACCESSIBLE TO A MINOR.”

## Texas:

“IT IS UNLAWFUL TO STORE, TRANSPORT, OR ABANDON AN UNSECURED FIREARM IN A PLACE WHERE CHILDREN ARE LIKELY TO BE AND CAN OBTAIN ACCESS TO THE FIREARM.”



# State-By-State Warnings

## Wisconsin:

“IF YOU LEAVE A LOADED FIREARM WITHIN THE REACH OR EASY ACCESS OF A CHILD YOU MAY BE FINED OR IMPRISONED OR BOTH IF THE CHILD IMPROPERLY DISCHARGES, POSSESSES, OR EXHIBITS THE FIREARM.”

\*\*\*\*\*

Please check with your licensed retailer or state police for additional warnings which may be required by local law or regulation. Such regulations change constantly, and local authorities are in the best position to advise you on such legal matters and requirements.

## **Firearm Safety & Warnings**

### **YOU RISK PERSONAL INJURY OR DEATH BY HANDLING THIS FIREARM**

Before handling any firearm, make sure you know the safety procedures and most importantly, keep the firearm pointed in a safe direction.

Before handling this shotgun, read, understand and follow the instructions in this manual. Always keep this manual with the shotgun. If you lend, give or sell this shotgun, be sure the manual goes with it. If there is anything you do not understand, seek advice from someone qualified in safe handling of firearms. You must ALWAYS obey the following:

#### **THE TEN COMMANDMENTS OF FIREARM SAFETY**

1. Always keep the muzzle pointed in a safe direction, away from any person, animal, dwelling, vehicle, or anything else that could be injured or damaged.
2. Firearms should be unloaded and secured when not actually in use.
3. Do not rely on your firearm's safety.
4. Be sure of your target and what is beyond it.
5. Use only proper ammunition matching the precise gauge of your specified shotgun.
6. If your shotgun fails to fire when the trigger is pulled, handle with care. Keep it pointed in a safe direction until you are able to safely unload it.
7. Always wear ear and eye protection when shooting.

8. Be sure the barrel is clear of obstructions before shooting.
9. Do not alter or modify your firearm, and have it serviced regularly.
10. Learn the mechanical and handling characteristics of your shotgun.
11. Shoot sober!

## **FOLLOWING THESE SAFETY RULES CAN SAVE YOUR LIFE OR THE LIFE OF SOMEONE ELSE**

Get competent firearms instruction in safe handling before using this shotgun. Please ask your dealer for names of qualified instructors near you. All guns are extremely dangerous if carelessly handled or used. Remember that the firearm user is the primary “safety” and that reliance on any mechanical safety device should never replace safe handling procedures.

This shotgun **WILL FIRE** if a shotshell is in the chamber and the trigger is pulled while the safety is disengaged.

**DO NOT LOAD THIS SHOTGUN UNTIL YOU UNDERSTAND HOW IT OPERATES.** Keep this shotgun unloaded at all times except when you are ready to fire and are sure of your target.

**ALWAYS** carry this shotgun in a case or the original box **unloaded.**

**NEVER** point this shotgun at anything that is not your intended target even if the shotgun is unloaded. When loading, unloading, cleaning or handling, always be sure the muzzle is pointed in a safe direction and always keep your finger off the trigger.

## **FOLLOWING THESE SAFETY RULES CAN SAVE YOUR LIFE OR THE LIFE OF SOMEONE ELSE**

**NEVER** assume any gun is unloaded. Before handling, check to make sure the chamber is empty. See Unloading Instructions on pg 26. Make sure you know that this or any firearm is fully unloaded before displaying or handling it. When handling any firearm, keep your fingers away from the trigger at all times until you intend to fire.

Get instructions from a competent firearms instructor before using this or any firearm. Learn from a professional how to handle, load, unload, operate, fire and care for your gun.

**NEVER PLAY** with your firearm. It is not a toy and can be a very dangerous weapon that can cause serious personal injury or death.

Always keep the gun pointed in a safe direction. Treat every gun as if it is loaded...all the time. **NEVER** point any firearm (loaded or unloaded) at any person or anything you do not intend to shoot. Always keep your gun unloaded until ready to use and make sure that it is unloaded before cleaning.

Keep your finger **OFF** the trigger until you are actually aiming at the target and ready to shoot. Learn to rest your finger outside of the trigger guard.

Never rely on a gun's "safety" to protect you from unsafe gun handling. A safety is only a mechanical device, not a substitute for using common sense and following gun safety procedures.

Never leave a gun unattended or where it could fall.

## **FOLLOWING THESE SAFETY RULES CAN SAVE YOUR LIFE OR THE LIFE OF SOMEONE ELSE**

Store guns and ammunition separately, **beyond the reach of children**. Make sure your guns and ammunition are properly secured so untrained individuals and children will be denied access to your guns and ammunition.

Test your gun's operation and safeties only at a shooting range while the firearm is pointed in a safe direction.

Know your target and what is beyond. Ask yourself what your projectile will hit if it misses the target or passes through the intended target. Remember, a fired projectile can travel over a mile (including a ricochet) and is capable of going through walls. Never shoot at hard flat surfaces or water...bullets ricochet.

Guns, alcohol and/or drugs do not mix. Do not take any alcoholic beverages and/or drugs before or during shooting activities.

Never pull a gun toward you by the muzzle. Do not climb a tree, or cross a ditch or fence with a loaded gun.

Always empty guns before entering a house, car, truck, boat, RV, camp, or any other building or mode of transportation.

When receiving a gun, always open the action and check to make sure the chamber is unloaded while keeping your finger off the trigger and out of the trigger guard.

**NEVER** accept anyone's word that a gun is "unloaded" or "empty". You should immediately open the action and check to make sure it is unloaded, again keeping your finger off the trigger.

## **FOLLOWING THESE SAFETY RULES CAN SAVE YOUR LIFE OR THE LIFE OF SOMEONE ELSE**

Be careful with **ALL** ammunition. Even “blank” cartridges are deadly at close range due to the muzzle blast. Make sure your ammunition is new and in good clean condition. Do **NOT** oil or grease ammunition as this may damage the shotshell primer. Do **NOT** tamper with or alter the standard factory ammunition.

Keep firearms unloaded when not actually in use. Load the gun only when on the range preparing to fire, and unload it before leaving the range.

Never put your hand over the muzzle of a gun.

**ALWAYS WEAR** protective shooting glasses and hearing protection when using firearms.

Spectators should be at least 10 feet behind and away from the shooter while the shooter is loading, shooting, and unloading. Spectators should wear eye and ear protection and avoid distracting those shooting their firearms.

Never drop your gun. If you do drop it, unload it and check to ensure the shotgun functions properly before using it again.

Do **NOT** alter or modify your shotgun. Do not try to change your gun’s trigger pull, because it may affect sear engagement and thereby cause accidental firing. Any alterations and/or modifications to your shotgun will void the warranty.

Do **NOT** remove any internal safety or external safety devices on the firearm. Safety mechanisms are designed to help protect you from personal injury or death. Any alterations and/or modifications to your shotgun will void the warranty.

## **FOLLOWING THESE SAFETY RULES CAN SAVE YOUR LIFE OR THE LIFE OF SOMEONE ELSE**

Properly maintain and keep your shotgun clean. Keep it in a dry place away from other metals and water. If your gun shows sign of corrosion or improper operation, have it serviced by a competent gunsmith.

Keep the muzzle pointed in a safe direction when loading and unloading your gun. Never point the muzzle at anyone.

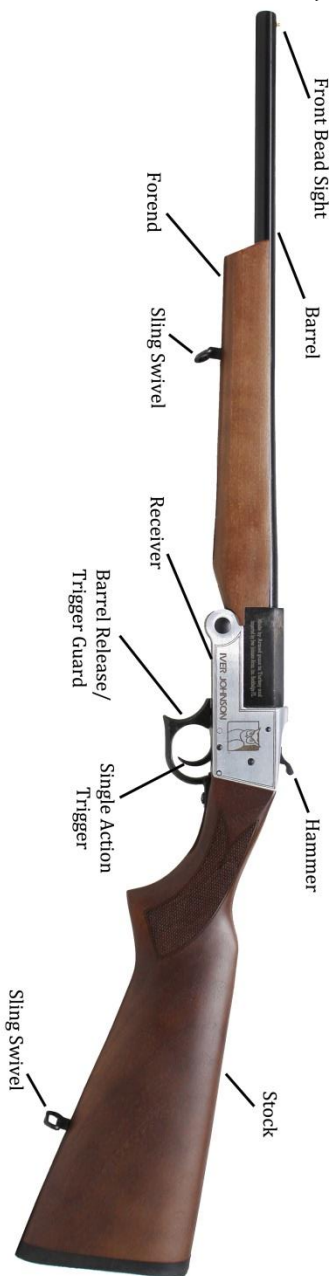
Never let water, snow, mud, or other material enter the barrel. Always be sure the barrel is free of any obstruction.

Use the correct ammunition for your firearm. Do **NOT** use the wrong size or wrong strength ammunition in your firearm.

**Teach children: 1. NOT** to touch guns, bullets, cartridges, shells, flares, or any explosive device and **2.** That if they discover such a dangerous item or weapon, they must immediately report its location to their parents, school teacher, or police.

Remember a firearm has the capability of taking your life or the life of someone else. Be careful with your firearm - an accident is almost always the result of not following basic safety rules.

## Basic External Parts of IJ700





## Important Parts Description

### **Trigger:**

**Warning:** Do not touch the trigger until you are ready to fire. Pulling the trigger when the hammer is cocked will fire the shotgun.



**Warning:** Do not alter or modify the trigger or firing mechanism.

Barrel Release/  
Trigger Guard

Trigger

**Warning:** It is recommended that you do not dry fire your shotgun, which means do not pull the trigger with an empty chamber. We recommend using snap caps or dummy rounds. This will cushion the strike of the firing pin. Dry firing your shotgun can damage the firing pin hole and/or the firing pin.

Once the shotgun is loaded and the hammer is cocked, one pull of the trigger will fire one shotshell.

**Barrel Release/Trigger guard:** The trigger guard surrounds the trigger. Always keep your finger outside of the trigger guard until you are ready to fire. This trigger guard also acts as the barrel release lever. See page 19, under the heading "Loading your shotgun", for details on its use.

**Warning:** Never release the barrel to open the action when the hammer is in the cocked position, as in figure 2 page 17. Only pull the barrel release to open the action when the hammer is in the "down" position, as in figure 1 page 17. This will avoid the chance of accidental discharge when closing a live shotshell in the chamber.

## **Hammer:**

**Warning:** Regardless of the position of the hammer, always treat this shotgun as if it is loaded and ready to fire by pointing the shotgun in a safe direction at all times, and keeping your finger off of the trigger and outside of the trigger guard.



Figure 1



Figure 2

When the hammer is uncocked, or in the “down” position, as in figure 1, the shotgun cannot be fired. This is a single action trigger, which means the trigger can only release the hammer to fire if the hammer is manually pulled back and cocked, as in figure 2. The hammer cannot be cocked by pulling the trigger.

When the hammer is in the “down” position, this acts as a safety. Pulling the trigger with the hammer uncocked in the “down” position will not fire the shotgun. Secondly, the hammer does not rest on the firing pin, which helps avoid accidental discharge caused by hitting the hammer.

**Warning:** When the shotgun is loaded, even if the hammer is in the down, uncocked position, do not put your finger inside the trigger guard or pull the trigger until you are ready to fire.

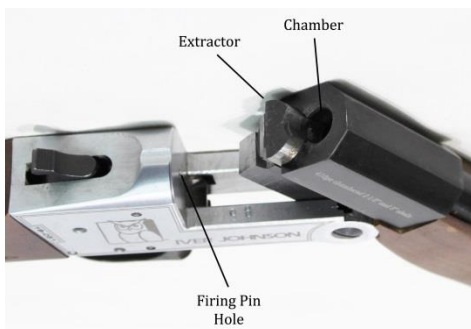



Figure 3

**Extractor:** The extractor will pull the loaded shotshell out of the chamber to make it easier to grasp the shotshell with your fingers and remove it from the chamber. The extractor DOES NOT eject, or throw, the shotshell from the chamber.

 **Warning:** Never fire this shotgun without the extractor installed. The extractor is part of the shell case head support system. Without the extractor installed, the shell case head might rupture and cause serious personal injury.

## Operation of your Shotgun

**IMPORTANT!!!** Anytime you pick up your shotgun, or any firearm, the first thing you should do is open the action of the shotgun, as described on page 20, and visually confirm there are no shells or ammunition in the chamber, as shown in figure 4 below.

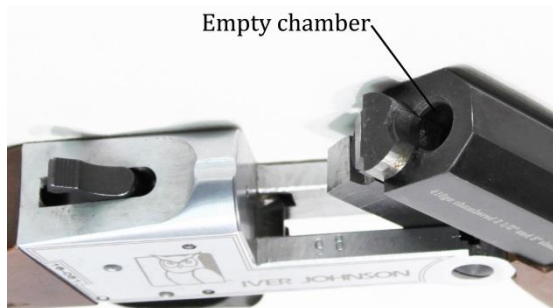


Figure 4

### Shotgun Assembly:

**Warning:** Always wear eye protection when assembling or disassembling your firearm to prevent injury from compressed springs or other parts.

Your IJ700 shotgun comes to you completely assembled. No further assembly is required. Simply unfold your shotgun, swivel the barrel assembly upward, and snap the barrel closed into the receiver.

### Loading your Shotgun:

1. **Make sure the hammer is in the uncocked, “down” position, as in figure 1 page 17.**
2. Point the shotgun in a safe direction.
3. Pull rearward on the trigger guard to slide the trigger guard backward about a  $\frac{1}{4}$  of an inch, as in figure 5 page 20.



Figure 5

4. With the trigger guard pulled rearward, if the barrel and forend do not drop on their own, rotate the barrel assembly downward by pulling down on the forend to release the barrel from the receiver and open the action, as in figure 6. (Be careful not to let the forend pinch your finger on the trigger guard when it swings down.)

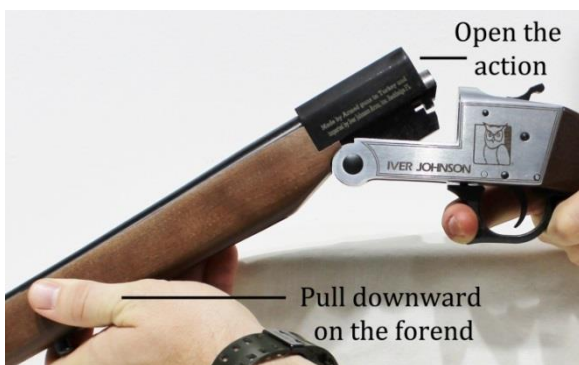


Figure 6

5. Before loading a shotshell, look through the chamber on the back side of the barrel, as in figure 4 page 19, and visually check inside the barrel to make sure it is free from debris. Clean the barrel before loading if there is debris. Do not shoot the shotgun until clean.

6. Take one shotshell and push it into the empty chamber until the rim of the shotshell is flush with the extractor, as in figure 7 and 8. **NEVER** load ammunition that your shotgun is not designed to use. The correct shotshell gauge and size will be engraved on the barrel.



Figure 7



Figure 8

7. Once the shotshell is fully seated in the chamber, and the shotgun is pointed in a safe direction, swivel the barrel upward and firmly close the chamber into the receiver. It will latch securely closed.
8. Pull the hammer backward with your thumb until it cocks in the “back” position, as in figure 2 page 17.

**Warning:** The shotgun is now loaded and ready to fire. Do not put your finger in the trigger guard or on the trigger until your shotgun is aimed at your target and you are ready to fire. NEVER carry your shotgun loaded with the hammer cocked.

### Firing your Shotgun:

**Warning:** Always wear eye and ear protection when firing your shotgun. Never point your shotgun at any person or anything unless you intend to shoot.

1. Once the action is closed, and the hammer is in the cocked position, the shotgun is ready to fire.
2. When the shotgun is aimed at your target, and you are ready to fire, put your finger on the trigger and squeeze the trigger. The hammer will fall and the shotgun will fire.
3. Once you have fired the shotshell, the hammer does not automatically re-cock.

### Unloading your shotgun:

**Always completely unload your shotgun after every use, before cleaning and storage. Do not store or transport your shotgun loaded.**


1. With your shotgun pointed in a safe direction, remove your finger from the trigger, make sure the hammer is in the uncocked “down” position, and open the action of the shotgun as in figure 5 and 6 on page 20.
2. Pull the live or fired shotshell case out of the chamber, as in figure 9 shown below.




Figure 9

3. Follow the steps outlined in “Loading your Shotgun” on page 19 and “Firing your Shotgun” on page 22 to reload your shotgun and fire another shotshell.

### **Shotgun Disassembly:**

 **Important:** No disassembly is required for the maintenance and cleaning of this shotgun. If disassembly is needed, call Iver Johnson Arms at 321-636-3377, or take your shotgun to a licensed gunsmith.

### **Shotgun Maintenance:**

 **Warning:** Never clean or lubricate your firearm unless it is completely unloaded. Visually check to make sure the chamber is empty, as in figure 4 on page 19.

1. Use the instructions and equipment from a good quality cleaning kit.
2. Attach a tip with a cleaning patch to a cleaning rod.
3. Dip the patch in a gun cleaning solvent.
4. Open the action of the shotgun and run the patch all the way through the barrel from one end to the next.
5. Attach the appropriate size brass bore brush, which matches the gauge of the shotgun, to the cleaning rod. Only use a brass bore brush for cleaning the barrel.
6. Run the brass bore brush all the way through the barrel from the front end, and then return it back out. Do this several times.
7. Take off the brass bore brush and put a tip with a clean patch back on the rod.
8. Run the cleaning patch through the barrel from the front end.
9. Do this several times, using a clean patch each time, until the patch comes out of the barrel clean.
10. Remove all dirt and shooting residue, with cleaning solvent and a nylon brush, from the extractor, the underside of the barrel that sits in the receiver, and



the top side of the receiver where the barrel assembly seats. Then wipe all areas dry.

**Warning:** After cleaning the barrel, make sure the inside of the barrel is free of any obstructions.

### Lubrication:

1. Once you are done cleaning the barrel assembly and the receiver, you need to apply oil to certain areas of the firearm.
2. Apply a light amount of gun oil to the inside of the receiver, and any area in the receiver that has moving parts, as in figure 10.
3. Apply a light coat of gun oil to the extractor on the barrel assembly, and down the edges of the hammer, as in figure 10.
4. Wipe down the external metal of the shotgun with a rust preventative. Always make sure the shotgun is unloaded before wiping it down.

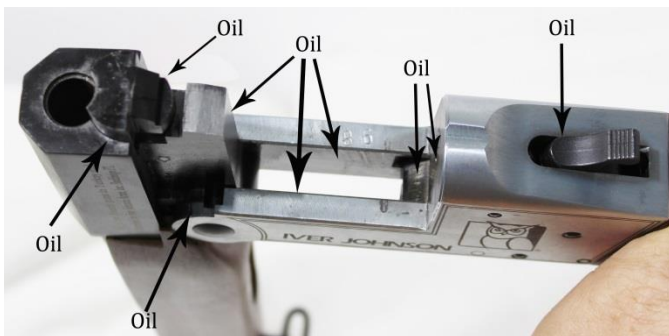




Figure 10

**Warning:** Only use oil specifically designed for firearm use. Excessive use of gun oil, or the use of oil not approved for firearm use, can adversely affect the function and safe operation of this firearm and ammunition, resulting in injury or death.



**Lubrication Warning:** Firing a shotgun with oil, grease or any other material even partially obstructing the bore may result in damage to the shotgun and personal injury to the shooter and those nearby. Do not spray or apply lubricants directly on ammunition. If the powder charge of a cartridge is affected by the lubricant, they may not fully ignite, yet the energy from the primer and/or powder may still be sufficient to push the projectile or wad into the bore where it may become lodged. Firing a subsequent cartridge into the obstructed bore will damage the shotgun and may cause personal injury to the shooter and those nearby. Use lubricants properly. You are responsible for the proper care and maintenance of your firearm and ammunition.

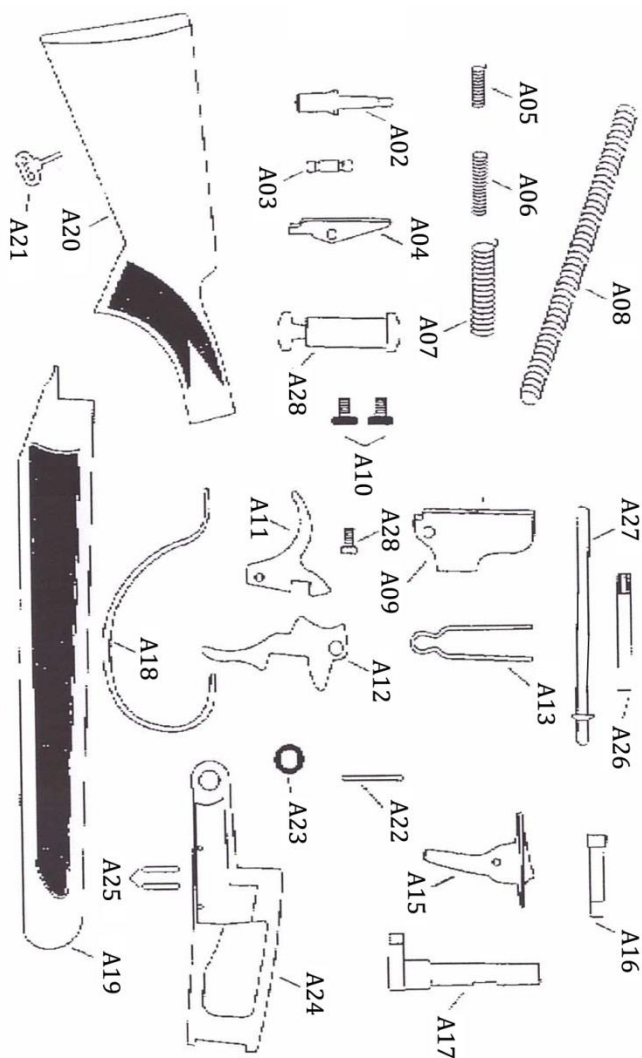
**Note:** You should clean your shotgun after every use in order to help prevent corrosion and keep your shotgun functioning correctly. If your shotgun gets wet, clean it as soon as possible. If your shotgun is not being used, you should still clean it at least twice a year, and keep it lubricated with gun oil.



**Warning:** This firearm was manufactured to properly perform with the original parts as designed. It is your duty to make sure any parts you buy are correctly installed and that neither replacements nor originals are altered or changed. Your shotgun has many parts that must relate correctly to other parts for safe and accurate operation. Putting a gun together wrong or with modified parts can result in a damaged gun, or personal injury or death to you or others. Always have a licensed gunsmith work on your firearm. Firearm safety is your primary concern. THE GUN OWNER MUST ACCEPT FULL RESPONSIBILITY FOR THE CORRECT REASSEMBLY AND FUNCTIONALITY OF THE FIREARM AFTER ANY DISASSEMBLY OR REPLACEMENT OF PARTS.

# Parts Illustration

## IJ700 Series



## Parts List

CODE NO	DESCRIPTION
36-A02	FIRING PIN
36-A03	SAFETY PLUNGER SPRING PIN
36-A04	INSIDE TRIGGER
36-A05	INSIDE TRIGGER SPRING
36-A06	FIRING SPRING PIN
36-A07	LATCH SPRING
36-A08	HAMMER SPRING
36-A09	HAMMER
36-A10	RECEIVER SCREW
36-A11	TRIGGER
36-A12	TOP LEVER
36-A13	SAFETY PLUNGER SPRING
36-A15	SAFETY
36-A16	EXTRACTOR PIN
36-A17	EXTRACTOR
36-A18	TRIGGER CASE
36-A19	FORE - END
36-A20	STOCK
36-A21	SWIVEL
36-A22	SWIVEL PIN
36-A23	EXTRACTOR PIN BOLT
36-A24	RECEIVER
36-A25	TRIGGER PIN
36-A26	TOP LEVER NUT
36-A27	HAMMER SPRING PIN
36-A28	RECEIVER ASSEMBLY SCREW

This parts illustration is a reference for identification purposes only. It is not meant as an aid for disassembly.

## **Limited Warranty Information**

There is a factory registration card included in the box with your shotgun. Please fill this out when you purchase the shotgun and mail it to us. We will need this card completed in order to help you with possible future warranty work.

**For warranty work, please call 321-636-3377 or visit our website at [www.iverjohnsonarms.com](http://www.iverjohnsonarms.com) to contact us and discuss your repair needs before you return your shotgun.** If warranty work is approved, you will be given a return address to send back the firearm for repairs. Make sure you include your return address and a contact phone number, along with your sales receipt and a short description of the problem with the shotgun. You will be required to pay for freight to our facility.


This Iver Johnson Arms, Inc. shotgun is warranted only to the original retail customer for one year from date of purchase. It is warranted against defects in material and workmanship. All parts and labor are covered by Iver Johnson Arms, Inc. at our option. Shipping of the firearm to our repair facility must be paid for by you, the customer. We will pay for return shipping of the firearm to the customer, under this one year limited warranty. Damage caused by failure to perform normal maintenance to the firearm, damage caused by the use of reloaded, high velocity, high pressure, or other non standard ammunition, or any other unauthorized repair, modification, abuse, or alteration to the firearm is NOT covered by this Limited Warranty and the warranty is void. There will be a charge for labor, test firing, and parts related to repairs which are not covered under this warranty, and shipping to and from our facility will be charged to you, the customer.

The wood on the stock and forend is not covered under this one year limited warranty. The warranty on the wood stock is 60 days and is limited to the original retail customer, extending 60 days from the date of retail purchase and covers only manufacturer and material defects.

This limited warranty covers manufacturer defects in the finish of your shotgun. It does not cover dings, scratched, scuffs, or any other type of environmental damage or damage caused by exterior variables.

Transportation to our repair facilities, government fees, damage caused by failure to perform normal maintenance, sales outside the United States, damage caused by use of high velocity, high pressure, reloaded or other nonstandard ammunition, or by any unauthorized repair, modification, misuse, abuse or alteration of the shotgun is not covered by this Limited Warranty.

You will need to enclose a copy of your retail purchase sales receipt with your firearm when you ship it to us. This will be required to prove date of purchase and determine if you qualify for warranty work.

 **NOTICE:** It is illegal to ship any firearm with ammunition in the firearm or in the same package. Be sure your firearm, and its shipping container, is empty of all ammunition before shipping.

**Manufacturer:**

Armed Guns  
1456 Sokak No:83 Kat: 4  
402, 35220, Alsancak-  
Izmir/Turkey

**Importer:**

Iver Johnson Arms, Inc.  
PO Box 561294  
Rockledge, FL 32956  
Phone: 321-636-3377 Fax: 321-632-7745  
[www.iverjohnsonarms.com](http://www.iverjohnsonarms.com)

## **WARNING**

Children are attracted to and can operate firearms that can cause severe injuries or death. Prevent child access by always keeping guns locked away and unloaded when not in use, with ammunition stored separately. If you keep a loaded firearm where a child obtains and improperly uses it, you may be fined or sent to prison.

## **ADVERTENCIA**

A los niños les atraen las armas de fuego y los pueden hacer funcionar. Ellos pueden causarse lesiones graves y la muerte. Evite que los niños tengan acceso a las armas de fuego guardándolas siempre con llave y descargadas cuando no las esté utilizando. Si usted tiene un arma de fuego cargada en un lugar en que un niño tiene acceso a ella y la usa indebidamente. Le pueden dar una multa o enviarlo a la cárcel.

### **Manufacturer:**

Armed Guns  
1456 Sokak No:83 Kat: 4  
402, 35220, Alsancak-  
Izmir/Turkey

### **Importer:**

Iver Johnson Arms, Inc.  
PO Box 561294  
Rockledge, FL 32956  
Phone: 321-636-3377  
Fax: 321-632-7745  
[www.iverjohnsonarms.com](http://www.iverjohnsonarms.com)