



Churchill

INSTRUCTIONS MANUAL

Models 212-212 TAC-220-228

READ THE INSTRUCTIONS AND WARNINGS IN THIS MANUAL CAREFULLY BEFORE USING THIS FIREARM

FIREARMS SAFETY

We believe that safe firearms handling is the most important consideration for anyone who uses firearms and ammunition. Please take a few minutes to thoroughly read and understand this instruction manual included with this shotgun.

CAUTION

FIREARMS SAFETY DEPENDS ON YOU!

- Don't rely on your gun's safety. Treat every gun as if were loaded and ready to fire.
- Never cross a fence, climb a tree or jump a ditch with a loaded gun.
- Never load or carry a loaded gun until you intend to use it.
- Watch your muzzle so the other fellow doesn't have to.
- Keep guns and ammunition separately and in locked storage.
- Don't shoot unless absolutely sure of your target and what is beyond it.
- Know the range of your gun.
- Always wear eye and ear protection when shooting.
- Always be sure the barrel is free of obstructions, and only carry ammunition specifically intended for the gun you are using.
- Do not alter or modify your gun. Have your gun regularly checked by a gunsmith.

THIS MANUAL CONTAINS

SAFE GUN HANDLING IS YOUR PERSONAL RESPONSIBILITY AT ALL TIMES. Disregarding warnings in this manual may result in injury or death to you and others and damage to property.

1. Important warnings that should be read and understood before using this firearm.
2. Directions and procedures for handling, loading, firing and unloading.
3. Instructions for care, cleaning, repair, and service of this shotgun.

This instruction and safety manual is designed to help you in learning how to properly use and care for your shotgun. Only when you are certain you have fully familiarized yourself with the function of your firearm should you practice loading, unloading and firing with live rounds of ammunition.

This instruction manual should always accompany this firearm and be transferred with it upon change of ownership. Should you ever need to replace it, this manual is available FREE upon request.

DISCLAIMER OF LIABILITY

We shall not be responsible for product malfunctioning or for physical injury, death or damage to property resulting from either intentional or accidental discharge of this firearm, its criminal or negligent use, improper or careless handling, unauthorized modifications or alteration, use of defective or improper or hand-loaded or (replaced) ammunition, or from its use for purposes or subject to treatment for which it was not designed. For your safety, use only original high quality commercially manufactured ammunition in good condition that is appropriate to the caliber / gauge of your gun. We shall not be responsible for products or results from use of defective, improper or reloaded ammunition.

WARNING - LEAD EXPOSURE

Discharging firearms in poorly ventilated areas, cleaning firearms, or handling ammunition may result in exposure to lead and other substances that may cause birth defects, reproductive harms, and other serious physical injuries. Have adequate ventilation at all times. Wash your hands thoroughly after exposure. Shooting or cleaning guns may expose you to lead.

WARNING

Prior to removing this gun from its packaging and prior to loading and firing, carefully and thoroughly read the entire instruction manual which gives advice on the gun's proper handling and functioning. Your safety and that of others (including your family) depends on your responsible compliance with that advice. If unfamiliar with firearms, seek supervised instruction.

FIREARMS SAFETY IS YOUR RESPONSIBILITY.

GENERAL SAFETY WARNINGS

1. Careless and improper handling of this gun could result in unintended discharge causing injury, death or property damage. Safety must be the first and constant consideration when handling a firearm and ammunition.
2. This shotgun was designed to function properly in its original condition. Alterations can make it unsafe. Do not alter any part or add or replace parts.
3. Shotguns should only be carried with the action open and chamber empty to prevent accidental discharge.
4. Always handle and treat your gun as if it were loaded so you never fire it accidentally when you think it is unloaded. Never take anyone's word it is unloaded. Always check it yourself with your fingers off the trigger and the gun pointed in a safe direction.
5. Never place your finger inside the trigger guard unless you intend to fire.
6. Water, snow, mud, excessive lubricating oil or grease or any other material can obstruct the barrel of your gun. Always check the barrels of your firearm for obstruction before loading and firing. Clean a fouled gun immediately to ensure its correct and safe function.
7. Keep the gun's muzzle pointed in a safe direction at all times. Never let the muzzle of a firearm point at any part of your body, another person or at anything you do not intend to shoot. Always be certain of your target before firing.
8. UNLOAD ALL FIREARMS WHEN NOT IN USE. NEVER STORE A LOADED FIREARM. Firearms and ammunition should be safely stored separately so that they are inaccessible to children or unauthorized users.
9. Always make sure your gun is not loaded before cleaning, storing, or handing it to another person.

10. Always wear safety glasses while shooting to protect your eyes from injury by gun powder, gas, lubricant, dirt or metallic particles, carbon residue, sparks or other debris.
11. Always wear ear protection when shooting, especially on a range. Without ear protection the noise from your gun and other guns close to you, could leave a "ringing" in the ears for some time after firing. Repeated exposure to shooting noise could result in permanent hearing loss.
12. Never climb a tree, fence or wall while carrying a loaded firearm.
13. Don't shoot at a hard surface or water. A ricochet may travel in unpredictable directions to strike you or an object you cannot see.

14. Firearms and alcohol do not mix. Never drink alcoholic beverages or take drugs before or during shooting, as this constitutes criminal disregard for your safety and that of others. Never use a gun while you are taking medication unless you have checked with your doctor to ensure your fitness to handle your gun safely.

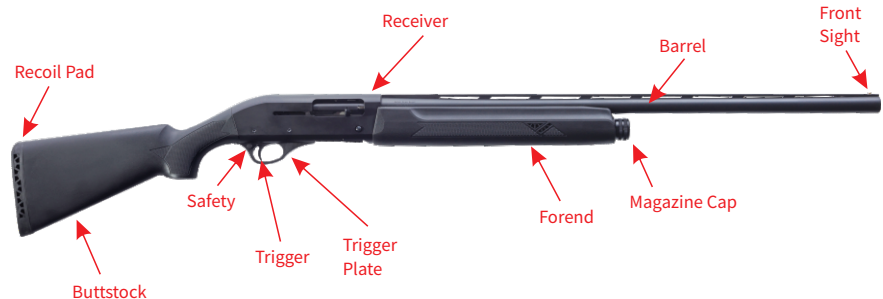
15. If you have any doubts about your ability to handle or use this shotgun safely, seek supervised instruction.

16. Horseplay has no place around firearms. Guns can't think - you can!

17. Remember, safety is your responsibility. Be a safe shooter.

18. FOLLOW THE LAW: Obey all local, state and federal laws regarding storage, shooting and transporting your firearm.

NOMENCLATURE



UNPACKING YOUR SHOTGUN

When you remove the shotgun from its box, you will see the 2 major components, the barrel and the shotgun (Fig.1). Your shotgun comes with a choke tube installed in the barrel along with a choke tube wrench if it is equipped with mobile chokes. A magazine capacity plug should be installed into the magazine or separately located. You should also have an instruction manual in the package.



Fig.1

WARNING

NEVER RELEASE THE BOLT WHILE BARREL NOT INSTALLED. THIS MAY DAMAGE THE BOLT HANDLE.

ASSEMBLY

1. Unscrew the magazine cap from the front of the forend in a counter clockwise direction as shown in (Fig.2).

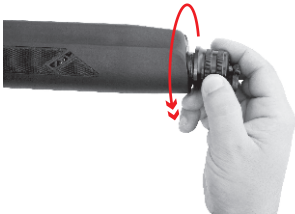


Fig.2

2. Remove the forend by sliding it forward, off the shotgun as shown in (Fig.3). Note that the piston should remain in its place.



Fig.3

3. While holding the bolt handle with your right hand, carefully align the barrel with the receiver and the end of the magazine tube, as shown in (Fig.4) and begin to pull back on the bolt handle as you insert the barrel into the receiver.



Fig.4

4. Continue pulling the bolt handle back while inserting the barrel until the bolt is in its rear locked position and the barrel is completely seated in the receiver. The barrel should mate to the receiver at this point in the assembly as shown in (Fig.5).



Fig.5

5. Slide the forend over the magazine tube assembly as shown in (Fig.6), bringing it to rest against the receiver.



Fig.6

6. There are two small tabs in the forend that will align with the small cutout in the front end of the receiver. The forend is in its proper position when it is seated completely against and around the receiver as shown in (Fig.7).

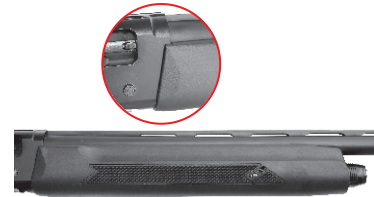


Fig.7

7. Reattach the magazine cap to the magazine tube by rotating it in a clockwise direction until it is firmly screwed down against the forend as shown in (Fig.8).

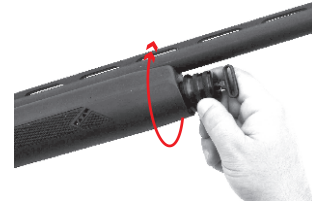


Fig.8

8. The shotgun is now completely assembled. To close the bolt/action, depress the action release button as shown in (Fig.9). Check, to be sure no fingers or other objects are located near the bolt as it closes. Put the safety in the "ON" position!



Fig.9

CAUTION

Do not load your shotgun until you are ready to use it and unload it immediately after you have finished shooting. Always carry your shotgun with the safety engaged. The user of this shotgun, and all firearms, should never depend on the manual safety, or any other mechanical device, to make a firearm completely safe. It is your responsibility to always keep the muzzle of your firearm pointed in a safe direction.

OPERATING INSTRUCTIONS

WARNING: READ AND UNDERSTAND ALL INSTRUCTIONS AND WARNINGS IN THIS MANUAL BEFORE USING THIS SHOTGUN. IT IS IMPORTANT TO LEARN THE PARTS OF YOUR SHOTGUN AND THEIR FUNCTIONS BEFORE USING THIS FIREARM.

MANUAL SAFETY

Your shotgun is equipped with a manual trigger block safety button located in the trigger guard, just behind the trigger (Fig.10). When the button is pushed from the left side of the receiver, protruding to the right side, the trigger is blocked and the safety is on.



Fig.10

When the button is pushed from the right side of the receiver, protruding to the left side, you will see a red circle on the safety button indicating the safety is off and the shotgun is in an unsafe condition, ready to fire if the trigger is pulled, as shown in (Fig.11). The directions are opposite for left hand shotguns.



Fig.11

CAUTION

The manual safety of your shotgun should always be on except for when you are ready to pull the trigger and fire the shotgun. This will help insure that no accidental discharges take place. You should only have the safety off, and be able to see the red line on the left side of the receiver, when you are ready to shoot. (The directions are opposite for left hand shotguns.)

MULTI CHOKE TUBES

All semi-auto shotguns, except slug models, equipped with interchangeable multi choke tube. The notches on the top of the tube can identify the choke tube (Fig.12).

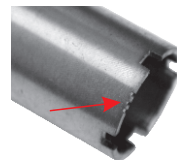


Fig.12

Multi-Choke Tube Markings and Constrictions

| Name | Constriction | | Notches | Markings |
|-------------------|--------------|------|---------|----------|
| | Inch | mm | | |
| Cylinder | .000" | 0.00 | | C |
| Skeet | .005" | 0.13 | | S |
| Improved Cylinder | .010" | 0.25 | | IC |
| Modified | .020" | 0.51 | | M |
| Improved Modified | .025" | 0.64 | | IM |
| Full | .035" | 0.89 | | F |

WARNING: PERIODICALLY CHECK TO BE SURE THE CHOKE TUBES ARE TIGHT & PROPERLY SEATED.

Before changing a choke tube, always make sure that your shotgun is unloaded and the safety is in the "Safe" position. To change the choke tubes, use the choke tube wrench. The wrench and additional chokes are supplied in the shotgun box. Insert the wrench into the recessed space of the tube and unscrew counterclockwise. Insert the desired choke tube and seat with the wrench in the clockwise direction (Fig.13).

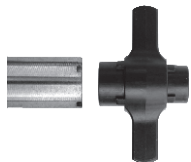


Fig.13

WARNING: NEVER FIRE YOUR SHOTGUN WITHOUT A CHOKE TUBE INSTALLED. This could damage the choke tube threads on the inside of the barrels.

WARNING

Your shotgun is equipped with an o-ring inside the gas cylinder enabling it to cycle properly with light loads. It can be removed to reduce the recoil force when shooting with heavy loads.

AMMUNITION

Use only high quality factory ammunition specifically designed for your gauge of shotgun. The gauge and chamber are marked on barrel. The shells that can be used for each gauge are listed at below table. We do not recommend using slugs with choke tubes tighter than improved cylinder.

WARNING: STEEL SHOT USAGE

Your shotgun will accommodate steel shot. However steel shot (up to and including shot size #2) should not be fired through your shotgun with a choke tighter than modified. If shot larger than #2 is used, the tightest choke used should be an improved cylinder. Do not use steel shot with improved modified, full or extra full choke tubes (flush mount or external).

WARNING: ACCIDENTAL LOADING AND DISCHARGE OF SHELLS OF THE WRONG GAUGE IN YOUR GUN CAN RESULT IN DAMAGE TO YOUR GUN AND INJURY TO THE SHOOTER OR OTHERS.

Only carry the proper ammunition with you when shooting.

LOADING

When loading, keep the safety on at all times and keep the muzzle pointed in a safe direction.

| Gauge & Chamber | | Shells can be used | | | | | |
|-----------------|-------------|--------------------|-------------|-------|---------|-------|-------------|
| 12/76 | 12Ga 3" | 12/70 | 12Ga 2 3/4" | 12/76 | 12Ga 3" | | |
| 12/89 | 12Ga 3 1/2" | 12/70 | 12Ga 2 3/4" | 12/76 | 12Ga 3" | 12/89 | 12Ga 3 1/2" |
| 20/76 | 20Ga 3" | 20/70 | 20Ga 2 3/4" | 20/76 | 20Ga 3" | | |
| 28/70 | 28Ga 2 3/4" | 28/70 | 28Ga 2 3/4" | | | | |

Do not use a cartridge that is longer than the maximum cartridge length that is stamped on the barrel.

To load the magazine, turn the shotgun upside down. Insert your cartridge and push it into the magazine tube until it is held in place in the tube by the cartridge latch. As you insert each cartridge you will hear a "click" that tells you the latch has closed behind the cartridge and you can now load the next shell (Fig.14).



Fig.14

Note: Your shotgun is equipped with a plug that limits the number of cartridges that your magazine tube will hold to 2 shells. Removal and installing of the plug is shown in this manual in the DISASSEMBLY section.

To load a cartridge into the chamber, pull back on the bolt handle. As you pull the bolt handle fully rearward, a cartridge will come out of the magazine tube and the cartridge carrier will raise the shell aligning it with the chamber. Release the bolt handle and the forward travel of the bolt will chamber the first round (Fig.15). Never allow your fingers or another object to come in contact with the trigger while loading.



Fig.15

Your shotgun is now loaded and ready to fire if the safety is moved to the OFF position.

FIRING

To fire the shotgun, hold the shotgun firmly with both hands and the proper placement of the butt stock to your shoulder and cheek. Aim at your target. Press the safety button into the OFF position and pull the trigger. Be prepared to either fire your next shot or engage the safety in the ON position after firing.

The system that operates your semi-auto will fire the cartridge in the chamber, eject the fired case and load the next cartridge into the chamber, each time that you pull the trigger. Be prepared to either fire your next shot or engage the safety in the ON position after firing.

UNLOADING

Before unloading, make sure the safety is in the ON position. And keep the muzzle pointed in a safe direction. Never allow your fingers or another object to come in contact with the trigger during unloading.

Pull the bolt handle completely to the rear and this will eject any cartridge that is remaining in the chamber.

Close and open the bolt repeatedly to chamber and then eject all cartridges that may be remaining in the magazine tube or chamber (Fig.16).



Fig.16

Visually check to make sure that no cartridges may be remaining in the chamber or magazine tube and depress the bolt release button to close the action/bolt.

If you want to unload without pulling the bolt handle; turn your gun and press the carrier, press the latch which is the right side of the receiver. The shell, which had been loaded, will eject (Fig.17). Unload the shells by pressing the latch for every one. Be careful not to allow the shot shell to eject onto a hard surface, which may cause the shell to discharge.

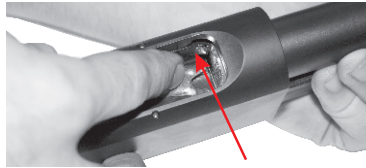


Fig.17

DISASSEMBLY

Before disassembling your shotgun, be absolutely certain that it is unloaded. As an added precaution, visually check the chamber and the magazine tube for any cartridges. Put the safety in the on position.

1. Remove the magazine tube cap by unscrewing it counter clockwise (Fig.18).



Fig.18

2. Remove the forend by sliding it away from the receiver and off the end of the magazine tube (Fig.19).



Fig.19

3. Remove the barrel by pulling the barrel out of the receiver assembly and out from around the magazine tube (Fig.20).



Fig.20

4. Remove the gas piston and piston buffer (Fig.21).

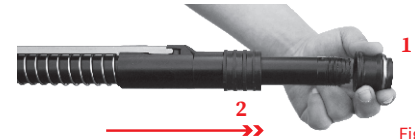


Fig.21

5. You can remove the bolt handle by moving the action bar rearward under spring tension with your left hand, until the bolt moves enough for you to align it with the cutout hole in the bolt that receives the handle. At this point, the bolt handle can be freely removed from the bolt (Fig.22). Remember that the bolt is still under tension from the spring.



Fig.22

6. After you remove the bolt handle, the entire action bar/bolt assembly and action bar sleeve can be removed from the shotgun by pulling the action bar off the end of the magazine tube (Fig.23).

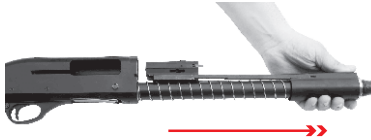


Fig.23

7. Remove the magazine spring from around the magazine tube (Fig.24).



Fig.24

8. The action bar, action bar sleeve and bolt assembly can be separated for cleaning. Lift the bolt off the action bar by simply pulling it up and off the bar (Fig.25).

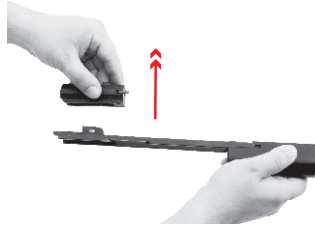


Fig.25

9. Separate the action bar from the action bar sleeve by pulling the action bar up and away from the action bar sleeve as shown in (Fig.26).

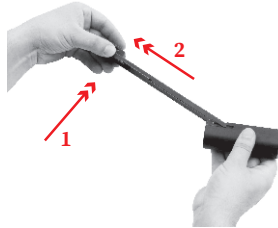


Fig.26

10. The trigger group may be removed from the receiver for further cleaning of the receiver and trigger group. It is recommended that a thorough cleaning be performed every 300 rounds.

To remove the trigger group, first remove the two trigger group retaining pins by using a punch to drive the pins out of the receiver (Fig.27).



Fig.27

11. Once the retaining pins are removed, the entire trigger group can be removed from the receiver by pulling down on the trigger guard (Fig.28).



Fig.28

No further disassembly of the trigger group is recommended for anyone other than a trained gunsmith.

12. When reinstalling the trigger group, the hammer must be in its cocked position. To cock the hammer, pull down on the hammer with your thumb until it locks into place as shown in (Fig.29).

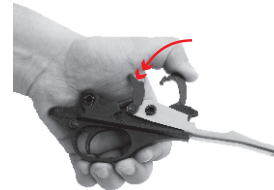
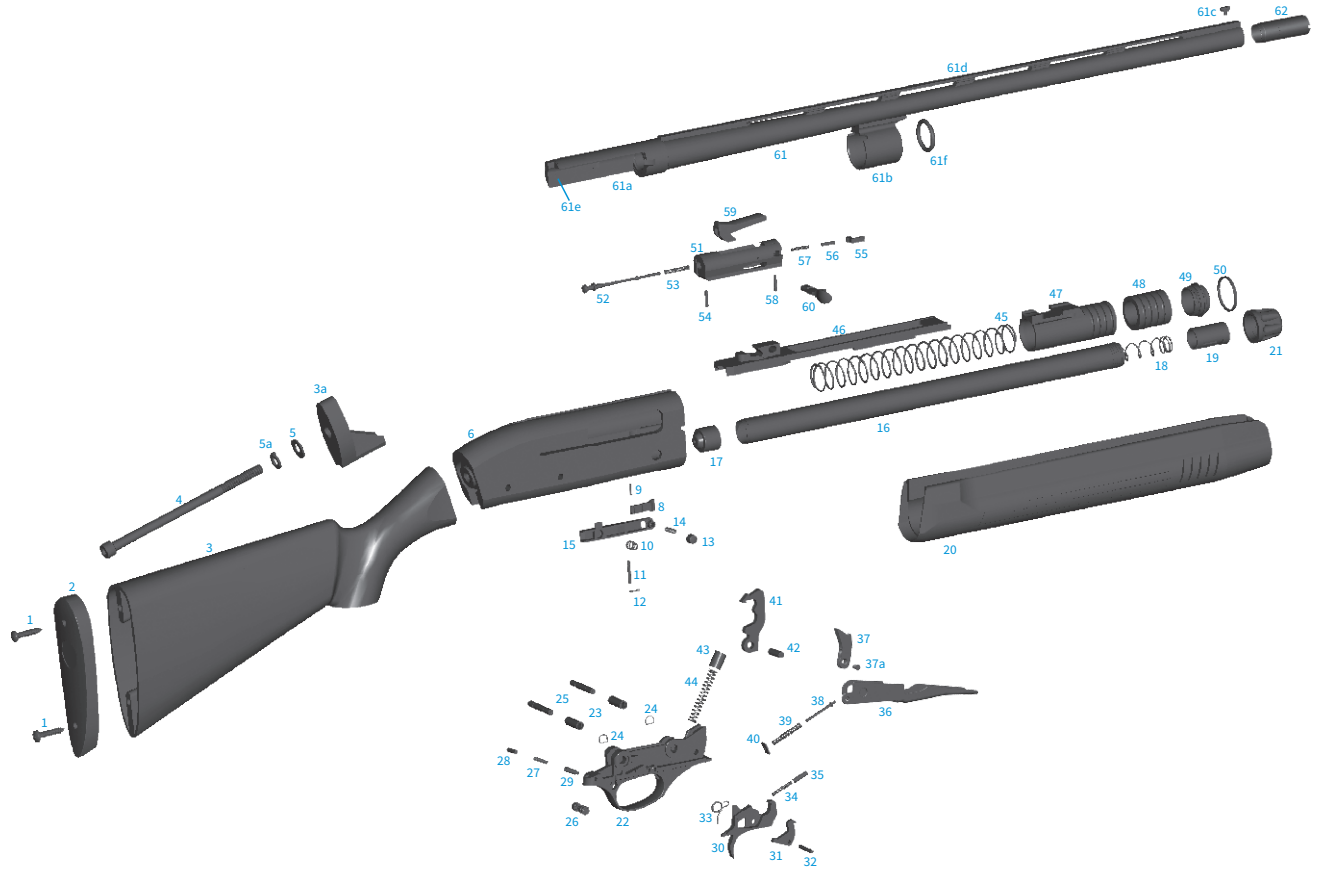
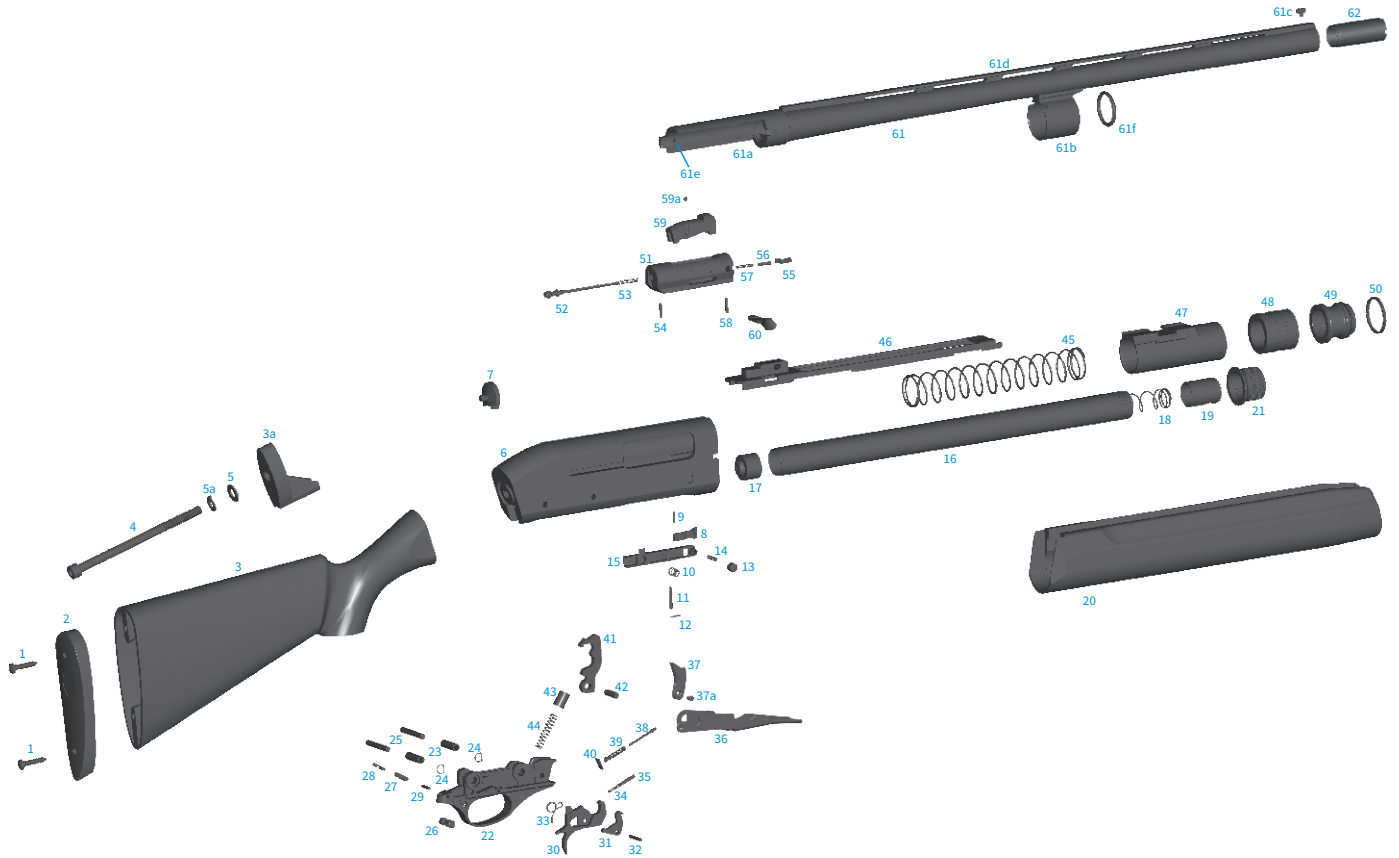


Fig.29

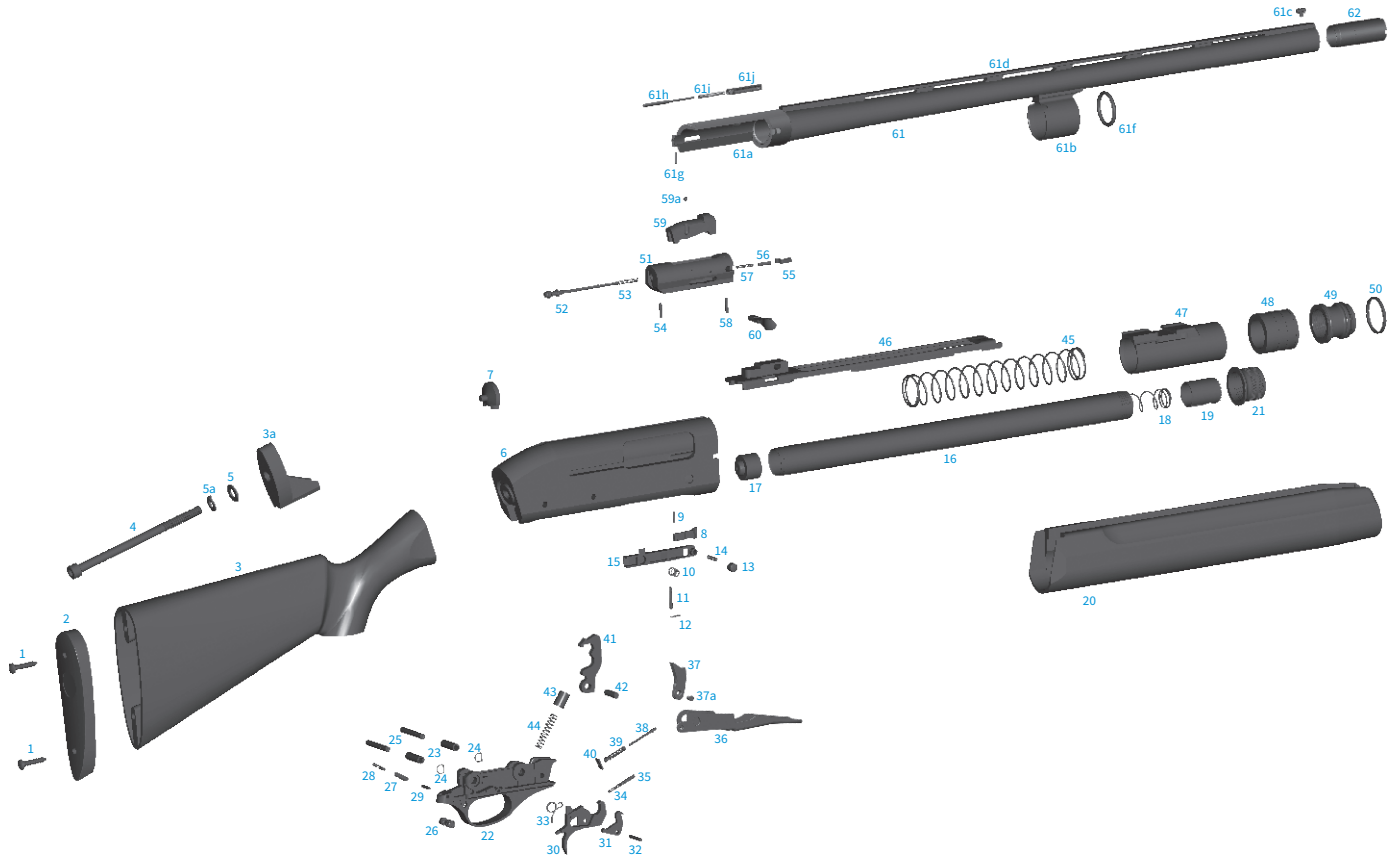
MODEL 228 SEMI AUTO SHOTGUN PART DIAGRAM



MODEL 220 SEMI AUTO SHOTGUN PART DIAGRAM



MODEL 212 SEMI AUTO SHOTGUN PART DIAGRAM



MODELS 212 - 220 - 228 SEMI AUTO SHOTGUN PART LIST

| NO | PART NAME | NO | PART NAME | NO | PART NAME |
|----|--------------------------------|-----|--------------------------------------|-----|--------------------------|
| 1 | Recoil Pad Screw (x2) | 24 | Trigger Plate Pin Detent Spring (x2) | 48 | Piston Buffer |
| 2 | Recoil Pad | 25 | Trigger Plate Pin (x2) | 49 | Piston |
| 3 | Stock | 26 | Safety Button | 50 | Piston Seal |
| 3a | Stock Inner Frame | 27 | Safety Button Detent Pin | 51 | Breech Bolt |
| 4 | Stock Screw | 28 | Safety Button Spring | 52 | Firing Pin |
| 5 | Stock Screw Washer | 29 | Safety Spring Retaining Pin | 53 | Firing Pin Spring |
| 5a | Washer Stopper | 30 | Trigger | 54 | Firing Pin Retaining Pin |
| 6 | Receiver | 31 | Trigger Sear | 55 | Extractor |
| 7 | Bolt Recoil Pad | 32 | Trigger Pin | 56 | Extractor Plunger |
| 8 | Latch Tip | 33 | Trigger Spring | 57 | Extractor Spring |
| 9 | Latch Tip Pin | 34 | Trigger Sear Detent Spring | 58 | Extractor Pin |
| 10 | Latch Spring | 35 | Trigger Sear Detent Pin | 59 | Locking Block |
| 11 | Latch Pin | 36 | Carrier | 59a | Locking Block Ball |
| 12 | Latch Pin Detent Spring | 37 | Carrier Dog | 60 | Bolt Handle |
| 13 | Action Release Button | 37a | Carrier Dog Pin | 61 | Barrel |
| 14 | Action Release Button Spring | 38 | Carrier Dog Follower | 61a | Barrel Rear Part |
| 15 | Latch | 39 | Carrier Dog Follower Spring | 61b | Barrel Collar |
| 16 | Magazine Tube | 40 | Carrier Dog Follower Plate | 61c | Front Sight |
| 17 | Magazine Follower | 41 | Hammer | 61d | Top Ventilated Rib |
| 18 | Magazine Spring | 42 | Hammer Pin | 61e | Ejector Pin |
| 19 | Magazine Spring Retainer | 43 | Hammer Plunger | 61f | O-Ring |
| 20 | Forend | 44 | Hammer Spring | 61g | Ejector Block Pin |
| 21 | Magazine Cap | 45 | Action Spring | 61h | Ejector Spring Guide |
| 22 | Trigger Plate | 46 | Action Bar | 61i | Ejector Spring |
| 23 | Trigger Plate Pin Bushing (x2) | 47 | Action Bar Sleeve | 61j | Ejector |
| | | | | 62 | Mobile Choke |

MODEL 212 TAC SEMI AUTO SHOTGUN PART LIST

| NO | PART NAME | NO | PART NAME | NO | PART NAME |
|-----|--------------------------------------|-----|-----------------------------|-----|---------------------------------------|
| 1 | Recoil Pad Screw (x2) | 25 | Trigger Plate Pin (2) | 55 | Extractor |
| 2 | Recoil Pad | 26 | Safety Button | 56 | Extractor Plunger |
| 3 | Stock | 27 | Safety Button Detent Pin | 57 | Extractor Spring |
| 3a | Stock Connection Part | 28 | Safety Button Spring | 58 | Extractor Pin |
| 3b | Recoil Pad | 29 | Safety Spring Retaining Pin | 59 | Locking Block |
| 3c | Sling Attachment R.H. | 30 | Trigger | 59a | Locking Block Ball |
| 3d | Sling Attachment L.H. | 31 | Trigger Sear | 60 | Bolt Handle |
| 3e | Pistol Grip Buttom Cover | 32 | Trigger Pin | 61 | Barrel |
| 4 | Stock Screw | 33 | Trigger Spring | 61a | Barrel Rear Part |
| 5 | Stock Screw Washer | 34 | Trigger Sear Detent Spring | 61b | Barrel Collar |
| 5a | Washer Stopper | 35 | Trigger Sear Detent Pin | 61f | O-Ring |
| 6 | Receiver | 36 | Carrier | 61g | Ejector Block Pin |
| 7 | Bolt Recoil Pad | 37 | Carrier Dog | 61h | Ejector Spring Guide |
| 8 | Latch Tip | 37a | Carrier Dog Pin | 61i | Ejector Spring |
| 9 | Latch Tip Pin | 38 | Carrier Dog Follower | 61j | Ejector |
| 10 | Latch Spring | 39 | Carrier Dog Follower Spring | 62 | Mobile Choke Tube |
| 11 | Latch Pin | 40 | Carrier Dog Follower Plate | 64 | Picatinny Rail |
| 12 | Latch Pin Detent Spring | 41 | Hammer | 64a | Picatinny Rail Screw (x4) |
| 13 | Action Release Button | 42 | Hammer Pin | 65 | Rear Sight |
| 14 | Action Release Button Spring | 43 | Hammer Plunger | 65a | Rear Sight Spring (x2) |
| 15 | Latch | 44 | Hammer Spring | 65b | Rear Sight Adjustment Spring |
| 16 | Magazine Tube | 45 | Action Spring | 65c | Rear Sight Plate |
| 17 | Magazine Follower | 46 | Action Bar | 65d | Rear Sight Horizontal Adjusting Screw |
| 18 | Magazine Spring | 47 | Action Bar Sleeve | 65e | Rear Sight Ring |
| 19 | Magazine Spring Retainer | 48 | Piston Buffer | 65f | Rear Sight Vertical Adjusting Screw |
| 20 | Forend | 49 | Piston | 65g | Rear Sight Screw (x2) |
| 21 | Magazine Cap | 50 | Piston Seal | 66 | Front Sight Upper Part |
| 21a | Sling Attachment | 51 | Breech Bolt | 66a | Front Sight O Ring (x2) |
| 22 | Trigger Plate | 52 | Firing Pin | 66b | Front Sight Fiber Optic Holder (x2) |
| 23 | Trigger Plate Pin Bushing (x2) | 53 | Firing Pin Spring | 66c | Front Sight Fiber Optic |
| 24 | Trigger Plate Pin Detent Spring (x2) | 54 | Firing Pin Retaining Pin | 66d | Front Sight Screw (x2) |



Importer:

European American Armory Corporation

EAA Corp

www.eaacorp.com

Email: eaacorp@eaacorp.com

1426 King Street

Cocoa, FL 32922

Phone: (321) 639-4842



AKKAR SİLAH SANAYİ LTD

ORHANLI MH ANIT SK 21 TUZLA 34956 İSTANBUL TURKEY

P +90 216 394 43 64 **F** +90 216 394 43 73

AKKAR@AKKAR.COM.TR WWW.AKKAR.COM.TR



//AKKARSILAH



@AKKARSILAH



//AKKARSILAH