



MC312

by GIRSAN

SEMI-AUTOMATIC Shotguns
INSTRUCTION & MAINTENANCE MANUAL



FIREARMS SAFETY

Safe firearms handling is the most important consideration of anyone who uses firearms and ammunition. Please take a few minutes to thoroughly read and understand this instruction manual.

You should completely understand this manual before you practice loading, unloading and firing with live ammunition.

Remember, firearms safety does depend on you!

Serial No. _____

Date Purchased: _____

Purchased From: _____



WARNING: These products can expose you to chemicals including LEAD, which is known to the State of California to cause cancer and birth defects or other reproductive harm. For more information go to www.P65Warnings.ca.gov.



ADVERTENCIA: Este producto puede exponerle a químicos incluyendo PLOMO, que es conocido por el Estado de California como causante de cáncer y defectos de nacimiento u otros daños reproductivos. Para mayor información, visite www.P65Warnings.ca.gov.

YOUR OWNER'S MANUAL

Always keep this manual with your firearm. Make sure you understand all the warnings, operation instructions and safety procedures. When you lend, give or sell the firearm, be sure this manual goes with it. You can get a copy of this manual from EAA Corp upon request. **ALL PARTS ORDERS ARE SUBJECT TO A \$10.00 CHARGE FOR SHIPPING AND HANDLING.** Please state Model, Caliber, Serial Number, and Finish Color when ordering. For parts, information and service contact:

European American Armory Corporation
1426 King Street
Cocoa, FL 32922
(321) 639-4842

INDEX

Firearms Safety and Your Owner's Manual.....	Page 2
Index.....	Page 3
Manual Contents and Disclaimer of Liability.....	Page 4
General Safety Warnings.....	Page 5
Safety Rules.....	Pages 6-8
General Overview.....	Page 9
Directions for Assembly.....	Pages 10-12
Choke Tubes.....	Pages 13-14
Breaking in Your New Shotgun.....	Page 15
Directions for Loading.....	Page 16
Directions for Unloading.....	Page 17
Cable Locks.....	Page 17
Ammunition.....	Page 18
Directions for Disassembly.....	Pages 19-20
Magazine Capacity Plug.....	Page 20
Explosion Diagram for General Assembly.....	Page 21-22
Parts List.....	Page 23-24
Explosion Diagram for Stock Group Assembly.....	Page 25
Explosion Diagram for Frame Group Assembly.....	Page 26
Explosion Diagram for Trigger Group Assembly.....	Page 27
Explosion Diagram for Mechanism Group Assembly.....	Page 28
Explosion Diagram for Magazine Group Assembly.....	Page 29
Explosion Diagram for Barrel Group Assembly.....	Page 30
Explosion Diagram for Forend Group Assembly.....	Page 31
Cleaning and Storage.....	Page 32
Manufacturer's Warning and Warranty.....	Page 33
Importer and Manufacturer.....	Page 34

Note: This manual was prepared to include instructions for all MC312 semi-automatic shotgun models. Photographs shown in this manual may not be from the exact model that you have but the instructions will still apply.

THIS MANUAL CONTAINS

1. Important warnings, which should be read and understood before using this firearm. SAFE GUN HANDLING IS YOUR PERSONAL RESPONSIBILITY AT ALL TIMES. Disregarding warnings in this manual may result in injury or death to you and others and damage to property.
2. Directions and procedures for handling loading, firing and unloading.
3. Instructions for care, cleaning, repair, and service of this shotgun. This instruction and safety manual is designed to help you in learning how to properly use and care for your EAA Corp shotgun. Only when you are certain you have fully familiarized yourself with the function of your firearm should you practice loading, unloading and firing with live rounds of ammunition. This instruction manual should always accompany this firearm, and be transferred with it upon change of ownership. Should you ever need to replace it, this manual is available FREE upon request from EAA Corp.

DISCLAIMER OF LIABILITY

Neither EAA Corp or Girsan, shall be responsible for product malfunctioning or for physical injury, death or damage to property resulting from either intentional or accidental discharge of this firearm, its criminal or negligent use, improper or careless handling, unauthorized modifications or alterations, use of defective or improper or hand-loaded or (replaced) ammunition, or from its use for purposes or subjection to treatment for which it was not designed. For your safety, use only original high quality commercially manufactured ammunition in good condition that is appropriate to the caliber/gauge of your gun. EAA Corp and Girsan shall not be responsible for product or its result from use of defective, improper or reloaded ammunition. EAA Corp and Girsan reserve the right to add to/modify the content of this manual at any time.



WARNING

Prior to removing this gun from its packaging, and prior to loading and firing, carefully and thoroughly read the entire instruction manual which gives advice on the gun's proper handling and functioning. However, your safety and that of others (including your family) depends on your responsible compliance with that advice. If unfamiliar with firearms seek supervised instruction.



WARNING - LEAD EXPOSURE

Discharging firearms in poorly ventilated areas, cleaning firearms, or handling ammunition may result in exposure to lead and other substances that may cause birth defects, reproductive harm, and other serious physical injury. Have adequate ventilation at all times. Wash your hands thoroughly after exposure. Shooting or cleaning guns may expose you to lead.

FIREARMS SAFETY IS YOUR RESPONSIBILITY.

GENERAL SAFETY WARNINGS

1. Careless and improper handling of this gun could result in unintended discharge causing injury, death or property damage. Safety must be the first and constant consideration when handling a firearms and ammunition.
2. This shotgun was designed to function properly in its original condition. Alterations can make it unsafe. Do not alter any part or add or replace parts.
3. Shotguns should only be carried with the action open and chambers empty to prevent accidental discharge.
4. **Always handle and treat your gun as if it were loaded** so you never fire it accidentally when you think it is unloaded. Never take anyone's word it is unloaded. Always check it yourself with your fingers off the trigger and the gun pointed in a safe direction.
5. Never place your finger inside the trigger guard unless you intend to fire.
6. Water, snow, mud, excessive lubricating oil or grease or any other material can obstruct the barrel of your gun. Always check the barrel of your firearm for obstruction before loading and firing. Clean a fouled gun immediately to ensure its correct and safe function.
7. **Keep the gun's muzzle pointed in a safe direction at all times.** Never let the muzzle of a firearm point at any part of your body, another person or at anything you do not intend to shoot. Always be certain of your target before firing.
8. **UNLOAD ALL FIREARMS WHEN NOT IN USE, NEVER STORE A LOADED FIREARM.** Firearms and ammunition should be safely stored separately so that they are inaccessible to children or unauthorized users.
9. Always make sure your gun is not loaded before cleaning, storing, or handing it to another person.
10. Always wear safety glasses while shooting to protect your eyes from injury by gun powder, gas, lubricant, dirt or metallic particles, carbon residue, sparks or other debris.
11. Always wear ear protection when shooting, especially on a range. Without ear protection, the noise from your gun, and other guns close to you, could leave a "ringing" in the ears for some time after firing. Repeated exposure to shooting noise could result in permanent hearing loss.
12. Never climb a tree, fence or wall while carrying a loaded firearm.
13. Don't shoot at hard surfaces or at water. A pellet may ricochet and travel in unpredictable directions to strike you or an object you cannot see.
14. Firearms and alcohol don't mix. Never drink alcoholic beverages or take drugs before or during shooting, as this constitutes criminal disregard for your safety and that of others. Never use a gun while you are taking medication unless you have checked with your doctor to ensure your fitness to handle your gun safely.
15. If you have any doubts about your ability to handle or use this shotgun safely, seek supervised instruction.
16. Horseplay has no place around firearms. Guns can't think-you can!
17. Remember, safety is your responsibility, be a safe shooter.
18. **FOLLOW THE LAW:** Obey all local, state and federal laws regarding storage, shooting and transporting your firearm.

FOLLOWING THESE SAFETY RULES CAN SAVE YOUR LIFE OR THE LIFE OF SOMEONE ELSE

Get instructions from a competent firearms instructor before using this or any firearm. Learn from a professional how to handle, load, unload, operate, fire and care for your gun.

NEVER PLAY with your firearm. It is not a toy and can be a very dangerous weapon that can cause serious personal injury or death.

Always keep the gun pointed in a safe direction. Treat every gun as if it is loaded ... all the time. **NEVER** point any firearm (loaded or unloaded) at any person or anything you do not intend to shoot. Always keep your gun unloaded until ready to use and make sure that it is unloaded before cleaning.

Keep your finger **OFF** the trigger until you are actually aiming at the target and ready to shoot. Learn to rest your finger outside of the trigger guard.

Never rely on a gun's "safety" to protect you from unsafe gun handling. A safety is only a mechanical device, not a substitute for using common sense and following gun safety procedures.

Never leave a gun unattended or where it could fall.

Store guns and ammunition separately **beyond the reach of children**. Make sure that they are properly secured so untrained individuals and children will be denied access to your guns and ammunition.

Test your gun's operation and safeties only at a shooting range while the firearm is pointed in a safe direction.

Know your target and what is beyond. Ask yourself what the projectile will hit if it misses the target or passes through the intended target. Remember, a fired projectile can travel over a mile (including a ricochet) and is capable of going through walls. Never shoot at hard flat surfaces or water ... bullets ricochet.

Guns and alcohol or drugs do not mix. Don't take any alcoholic beverages and/ or drugs before or during shooting activities.

Never pull a gun toward you by the muzzle. Don't climb a tree, cross a ditch or fence with a loaded gun.

Always empty guns before entering a house, car, truck, boat, RV, camp or any building.

When receiving a gun, always open the action and check to make sure the chamber is unloaded.

FOLLOWING THESE SAFETY RULES CAN SAVE YOUR LIFE OR THE LIFE OF SOMEONE ELSE

NEVER accept anyone's word that a gun is "unloaded" or "empty." You should immediately open the action and check to make sure it is unloaded. Be careful with **ALL** ammunition. Even "blank" cartridges are deadly at close range due to the muzzle blast. Make sure your ammunition is new and in good clean condition. Do **NOT** oil or grease ammunition as this may damage the cartridge primer. Do **NOT** tamper with or alter the standard factory ammunition.

Keep firearms unloaded when not in use. Load the gun only when on the range preparing to fire and unload it before leaving the range.

Never put your hand over the muzzle of a gun.

ALWAYS WEAR protective shooting glasses and hearing protection when using firearms.

Spectators should be at least 10 feet behind and away from the shooter while the shooter is loading, shooting and unloading. Spectators should wear protection for hearing and sight loss and they should avoid distracting those shooting their firearms.

Never drop your gun. If you do drop it, unload it and check it for proper function before using it again.

Do **NOT** alter or modify your gun. Don't try to change your gun's trigger pull, because it may affect sear engagement and thereby cause accidental firing.

Do **NOT** remove any internal safety or safety device on the firearm. Safety mechanisms are designed to help protect you from injury or death.

Properly maintain and keep your gun clean. Keep it in a dry place away from other metals and water. If your gun shows sign of corrosion or improper operation, have it serviced by a competent gunsmith.

Keep the muzzle pointed in a safe direction when loading and unloading your gun. Never point the muzzle at anyone. Never put your hand over the muzzle of a gun.

If a gun fails to fire when the trigger is pulled, keep it pointed down range at the target for 60 seconds. Sometimes slow primer ignition will cause a "hang fire" and the cartridge will go off after a short pause. If it fails to fire, keep muzzle pointed in a safe direction and avoid exposure to the breech, as you attempt to unload your firearm.

Never let water, snow, mud or other material enter the barrel. Always be sure the barrel is free of any obstruction.

Use the correct ammunition for your gun. Do **NOT** use the wrong size or wrong strength ammunition in your firearm.

Teach children: 1. **NOT** to touch guns, bullets, cartridges, shells, flares or any explosive device and 2. That if they discover such a dangerous item or weapon, they must immediately report its location to their parents, school teacher or police.

Remember a firearm has the capability of taking your life or the life of someone else. Be careful with your firearm – an accident is almost always the result of not following basic safety rules.

USED FIREARMS – Firearms are sometimes altered to work incorrectly, or parts may be removed, lost or replaced with incorrect parts. If you got your EAA Corp firearm as a used gun, **BEFORE USING IT** you should take it to a good gunsmith who knows EAA Corp firearms, and have them examine it.

Write EAA Corp concerning any items or circumstances which you don't understand and which might relate to your safety and the operation of your firearm at:

European American Armory Corporation
1426 King Street Cocoa, FL 32922
PH: (321) 639-4842



WARNING (POTENTIAL OBSTRUCTIONS)

BEFORE LOADING or firing a shotgun, examine the bore and the firing chamber to be certain they are clean and free of any obstruction. Even a heavy coat of oil, grease, snow or water may result in damage to the firearm and injury to the shooter and/or persons near the firearm. A misfire or unusual sound upon firing is a signal to cease firing and to examine the chamber and bore. If there is any obstruction, clear the obstruction and clean the bore and chamber before firing. Any bore obstruction, even if it is only partly blocked, may cause the gun to blow up if it is fired, or may cause damage to the gun such as a bulged barrel. To avoid injury or death to the shooter or bystanders, check the barrel before shooting or if a shot does not sound normal.



WARNING (EYE AND EAR PROTECTION)

When shooting, full eye and ear protection is mandatory at all times. Shooters and spectators must wear shooting glasses and hearing protection to prevent eye injury and hearing loss. Vision and hearing impairment can occur with only one moment of non-protection.

⚠ WARNING

If there is any reason to suspect that a projectile is obstructing the barrel, immediately unload the firearm (See Unloading Instructions) and check the chamber and the bore. A wad, shot or some other matter may be lodged some distance down the barrel where it cannot easily be seen. Check the bore by using a cleaning rod to pass through the barrel. If a blockage is in the bore, **DO NOT ATTEMPT TO SHOOT IT OUT WITH ANOTHER CARTRIDGE, OR BLOW IT OUT WITH A BLANK CARTRIDGE OR A CARTRIDGE FROM WHICH THE SHOT HAS BEEN REMOVED. SUCH TECHNIQUE(S) CAN GENERATE EXCESSIVE PRESSURE, DAMAGE THE FIREARM AND CAUSE SERIOUS PERSONAL INJURY.** If the blockage can be removed with a cleaning rod, clean any unburned powder grains from the bore, chambers and mechanism before resuming shooting. If the blockage cannot be dislodged by tapping it with a cleaning rod, take the firearm to a gunsmith.

⚠ WARNING (MECHANICAL MALFUNCTIONS)

STOP SHOOTING IMMEDIATELY AND UNLOAD YOUR FIREARM if your firearm develops: a mechanical malfunction; binding or stoppage; spitting powder/ gas; a cartridge primer is punctured; a cartridge case is bulged or ruptured; or the sound on firing does not sound quite right. Do **NOT** try one more shot but unload your firearm and take it and the ammunition to a qualified gunsmith or send the firearm back to EAA Corp for examination. Do not assume that the shotgun is empty merely because you checked the chamber. You must also check the bore for any fired shot or wad jammed inside the barrel.

MODEL: MC312



DIRECTIONS FOR ASSEMBLY

WARNING

Read and understand all instruction and warnings in this manual BEFORE using this shotgun. It is important to learn the parts of your shotgun and their functions before using this firearm.

UNPACKING YOUR SHOTGUN

When you remove the shotgun from its box, you will see the 2 major components shown below, the barrel and the shotgun (**Fig. 1**). This semi-automatic shotgun comes with three choke tubes, choke tube wrench, spacer, and a lock.



Fig. 1

MANUAL SAFETY

Your shotgun is equipped with a manual trigger block safety button located in the trigger guard, just behind the trigger. When the button is pushed from the left side of the receiver (**Fig. 2A**), protruding to the right side, the trigger is blocked and the safety is on as shown in **Fig. 2B**. When the button is pushed from the right side of the receiver (**Fig. 3A**), protruding to the left side, you will see a red circle on the safety button indicating the safety is off and the shotgun is in an unsafe condition, ready to fire if the trigger is pulled, as shown in **Fig. 3B**.



Fig. 2A



SAFETY ON Fig. 2B



Fig. 3A



SAFETY OFF Fig. 3B

⚠ WARNING

The manual safety of your shotgun should always be on except for when you are ready to pull the trigger and fire the shotgun. This will help insure that no accidental discharges take place. You should only have the safety off, and be able to see the red line on the left side of the receiver, when you are ready to shoot.

DIRECTIONS FOR ASSEMBLY

Holding the shotgun as shown in **Fig. 4**, depress the shell latch then pull the bolt to the rear position until the bolt locks in its open position (**Fig. 5**). Unscrew the magazine cap from the front of the forend in a counter-clockwise direction as shown in **Fig. 6**.



Remove the forend by sliding it forward, off the shotgun as shown in **Fig. 7**.

Take the forend and place it to the bottom of the barrel and push up on the barrel extension until the forend locks in place, as shown in **Fig. 8**.

Now as one unit, the barrel and the forend can be placed onto the receiver by sliding the magazine tube through the forend and through the barrel extension as shown in **Fig. 9**.



Align the two parts with the receiver and press the barrel into place, as shown in **Fig. 10**. The forend is in its proper position when it is seated completely against and around the receiver as shown in **Fig. 11**.

Reattach the magazine cap to the magazine tube by rotating it in a clockwise direction until it is firmly screwed down against the forend. The shotgun is now completely assembled. To close the bolt/action, depress the action release button on the right side of the receiver as shown in **Fig. 12**. Check to be sure no fingers or other objects are located near the bolt as it closes. Move the safety button to "SAFE" position!



Fig. 9



Fig. 10



Fig. 11



Fig. 12



CAUTION

Do not load your shotgun until you are ready to use it and unload it immediately after you have finished shooting. Always carry your shotgun with the safety engaged. The user of this shotgun, and all firearms, should never depend on the manual safety, or any other mechanical device, to make a firearm completely safe. It is your responsibility to always keep the muzzle of your firearm pointed in a safe direction.

CHOKE TUBES

WARNING

When removing a choke tube from a barrel assembled to the shotgun, keep the muzzle of the shotgun pointed in a safe direction, and keep your fingers out of the trigger guard and away from the trigger at all times.

This EAA Corp semi-automatic shotgun comes with three choke tubes and one choke tube wrench.

REMOVING CHOKE TUBES

Choke tubes may be removed with the barrel disassembled from the shotgun or with the barrel assembled to the shotgun by following these simple instructions. **NOTE:** If removing choke tubes with the barrel removed from the shotgun, begin from instruction No. 3.

1. Move the manual safety button to the “SAFE” position, before removing a choke tube from a barrel assembled to a shotgun.
2. Unload the shotgun.
3. Insert the stepped end of the choke tube wrench into the muzzle of the barrel and into the notches in the muzzle end of the choke tube.
4. Turn the choke tube counter-clockwise with the wrench until it emerges from the muzzle sufficiently to grasp with your fingers.
5. Continue turning the choke tube counter-clockwise with your fingers until it is free to be removed from the muzzle.

INSTALLING CHOKE TUBES

Choke tubes may be installed into a barrel disassembled from the shotgun or with the barrel assembled to the shotgun by following these simple instructions. **NOTE:** If installing choke tubes with the barrel removed from the shotgun, begin from instruction No. 3.

1. Move the manual safety button to the “SAFE” position before installing a choke tube into a barrel assembled to a shotgun.
2. Unload the shotgun.
3. Insert the threaded end of the choke tube into the muzzle of the barrel, and screw it into the barrel as far as possible with your fingers, turning it in a clock-wise direction.
4. Insert the stepped end of the choke tube wrench into the notches in the muzzle end of the choke tube, and continue turning clock-wise until the choke tube is seated, tightening snugly. **NOTE:** To prevent damage to barrel or choke tube threads, do not over-tighten.



WARNING

When installing a choke tube in your barrel, make sure that the tube is completely screwed down tight in the barrel, never discharge your shotgun without the choke tubes installed as this may damage the barrel. Choke tubes may become loose after extended firing and should be checked frequently for tightness. Tighten choke tubes frequently before, during and after shooting.

TIGHTENING CHOKE TUBES

Choke tubes may loosen with repeated recoil, which may result in changes in point of impact or damage to choke tube or barrel threads with extended use. Check and tighten choke tubes frequently. To tighten choke tubes, make sure the safety button is set to the "SAFE" position and make sure the shotgun is unloaded. Then insert the stepped end of the choke tube wrench into the notches in the muzzle end of the choke tube, and tighten the choke tube snugly, turning clock-wise.



IDENTIFYING CHOKE TUBE CONSTRICTION

Your internal interchangeable choke tubes are marked with notches at the end of the tubes to indicate the choke type for that particular tube. Your external tubes are marked just below the knurled rim of the tube. Please refer to the chart below to identify different choke types.

LEAD SHOT	
<u>Choke Type</u>	<u>Notch</u>
FULL (FULL)	I
IMPROVED MODIFIED (IM)	II
MODIFIED (MOD)	III
IMPROVED CYLINDER (IC)	IIII
CYLINDER	IIIII



STEEL SHOT WARNING

Steel shot shells, buck shot and slugs should only be used with IC or Cylinder choke tubes.

BREAKING IN YOUR NEW SHOTGUN

The MC312 shotgun is designed to function with 2¾", 3" and 3 ½" inch ammunition. If you experience any initial cycling problems with certain loads, we recommend firing a number of shot shells of standard game loads to speed the break in of your new shotgun.

Always check the cartridge for the correct gauge and length before loading the firearm and read your instruction manual before use.

Although this gun is designed to function with 1-oz (1290 fps target loads) or greater it is recommended for a new gun to start out with 1-1/8 oz (1290 fps) or above during a minimum of 40 rds break in period, for optimum performance.

WARNING

Altering or modifying parts and/or internal safeties is dangerous and will void the warranty. This shotgun was manufactured to perform properly with the original parts as designed. It is your duty to make sure any parts you buy are made for this firearm and are installed correctly and that neither the replacements nor originals are altered or changed. Your gun is a complex precision tool with many parts that must relate correctly to other parts in order for proper and safe operation. Putting a gun together wrong or with incorrect or modified parts can result in a damaged gun, danger, and personal injury or death to you and others through malfunction. Always have a qualified gunsmith work on your gun or at least check any work not performed by a gunsmith.

WARNING

Always keep the muzzle pointed in a safe direction! Never attempt to load or unload any firearm inside a vehicle, building or other confined space (except a properly constructed shooting range). Enclosed areas frequently offer no completely safe direction in which to point the firearm. If an accidental discharge occurs, there is great risk of death, personal injury or property damage. Before loading, always clean all grease and oil from the bore and chamber, and check to be certain that no obstruction is in the barrel. Any foreign matter in the barrel could result in a bulged or burst barrel or other damage to the firearm and could cause serious injury to the shooter or to others.

LOADING

When loading, keep the muzzle of the shotgun pointed in a safe direction and keep your fingers out of the trigger guard and away from the trigger at all times.

1. Move the manual safety button to the "SAFE" position.
2. Open the bolt and visually check to make sure no shell is in the receiver ejection port.
3. Close the bolt.
4. Insert desired number of shot shells of the proper gauge/length (**Fig. 13**), with the crimped end forward towards the muzzle, into the magazine through the loading port of the bottom of the receiver by pushing each shell forward fully into the magazine until it is held in place by the shell stop.



Fig. 13

TO FEED A SHELL FROM THE MAGAZINE INTO THE CHAMBER:

1. Visually check the manual safety button to make sure it is in the "SAFE" position.
2. Press the cartridge release button to release a shell from the magazine onto the carrier.
3. Cycle the bolt to permit feeding of the shell into the chamber.

TO SINGLE-LOAD THE CHAMBER WITHOUT SHELLS IN THE MAGAZINE:

1. Move the manual safety button to the "SAFE" position.
2. Open the bolt of the shotgun.
3. Drop a shot shell of the proper gauge and length directly into the ejection port, with the crimped end of the shot shell forward towards the muzzle.
4. Press the bolt release button to allow the bolt to close and feed the shell into the chamber.

TO SINGLE-LOAD THE CHAMBER WITH SHELLS IN THE MAGAZINE:

1. Move the manual safety button to the "SAFE" position.
2. Hold the bolt of the shotgun back with one hand while dropping one shot shell of the proper gauge and length directly into the receiver ejection port, with the crimped end of the shot shell forward towards the muzzle.
3. Release the bolt handle to allow the bolt to close and feed the shell into the chamber. **NOTE:** Allow the bolt to slam forward. Slowly riding the bolt forward may not allow the bolt head to rotate into battery, causing a misfire.

UNLOADING

ALWAYS UNLOAD YOUR SHOTGUN IMMEDIATELY AFTER YOU FINISH SHOOTING.

1. Move the manual safety button to the "SAFE" position.
2. To unload a shell from the chamber, pull the bolt handle rearward to extract the shell and let the bolt return forward.
3. To unload the magazine, press up on the carrier and rest your thumb on the cartridge case head. Next, press the bolt release button. This will eject a shell safely out of the magazine. (**Fig. 14**).
4. Repeat step 3 until the magazine is empty.
5. Lock the bolt back by pressing the cartridge release button and then pulling the bolt handle rearward until the bolt locks in the place.
6. Visually confirm that there are no shot shells remaining in the magazine or chamber.



CABLE LOCKS

WARNING

Always keep your firearm pointed in a safe direction, including when you are installing or removing your cable lock. Do not install the cable lock in the trigger guard; always keep your fingers and cable lock outside the trigger guard during device installation. Do not attempt to work the action of your firearm with the cable lock in place; this may damage your firearm. While cable locks are an important aid to security measures, they are not a substitute for safe firearm handling and proper storage. Remember that any mechanical device can be bypassed with enough time, knowledge, determination and equipment.

Your MC312 semi-automatic shotgun comes with one cable lock. To install your cable lock, first move the manual safety button to the "SAFE" position. Next be sure the shotgun is unloaded. Then, pull the bolt rearward until you can safely insert the cable through the ejection port and out the magazine well. Next, with the key turned to the farthest clockwise position, insert the loose end of the cable into the padlock. To lock, turn the key counter-clockwise and remove the key. Once the lock is securely closed, pull firmly on the lock to test the connection and be sure it is locked. **DO NOT LEAVE OR STORE YOUR FIREARM WITH THE KEY IN THE LOCK.** Store your locked unloaded firearm and the key in two separate secure locations – away from ammunition, children, and other unauthorized adults.

AMMUNITION

EAA Corp/Girsan semi-automatic shotguns are chambered in 12 gauge shells in 2 ¾", 3", and 3.5" lengths, in 20 gauge shells in 2 ¾" and 3" lengths, and 28 gauge shells in 2 ¾" lengths, for which factory-loaded ammunition manufactured in accordance with U.S. industry standards is commercially available. Barrels marked for 3.5" can be safely used for both 3" and 2 ¾" shot shells. Barrels marked for 3" shot shells can be safely used for both 3" and 2 ¾" shot shells. Barrels marked for 2 ¾" can be safely used for 2 ¾" shot shells only.

Do not use a cartridge that is longer than the maximum cartridge length that is stamped on the barrel. The use of reloaded or substandard commercially produced ammunition will affect your warranty coverage and could result in severe injury to the shooter or others nearby. Refer to our Warranty on page 33 of this manual for all exclusions and limitations.

WARNING

The accidental loading and discharge of shells of the wrong gauge in your gun can result in damage to your gun and possible injury or death to you or others. To be safe at all times, carry only the proper gauge ammunition with you for the gun you are using.

WARNING

Firearms may be damaged and serious personal injury or death to the shooter or bystanders may result from any condition which contributes to the generation of excessive pressure or uncontrolled release of gas within the firearm. Such adverse conditions can be caused by bore or chamber obstructions, propellant powder overloads or by defective, incorrect or improperly loaded and assembled cartridge components. Even the strongest firearm can be blown up as a result of excessive pressure. It is extremely dangerous to use a cartridge whose pressure is greater than that developed by cartridges loaded to industry standards.

AMMUNITION (CARTRIDGES) NOTICE

We specifically disclaim responsibility for any damage, injury or death occurring in connection with or as the result of the use of EAA Corp shotguns with faulty, non-standard, re-manufactured, hand loaded or reloaded ammunition or with cartridges other than factory cartridges for which the firearm was originally chambered.

LUBRICATION WARNING

Firing a shotgun with oil, grease or any other material even partially obstructing the bore may result in damage to the shotgun and personal injury to the shooter and those nearby. Do not spray or apply lubricants directly on ammunition. If the powder charge of a cartridge is affected by the lubricant, they may not fully ignite yet the energy from the primer and/or powder may still be sufficient to push the projectile or wad into the bore where it may become lodged. Firing a subsequent cartridge into the obstructed bore will damage the shotgun and may cause personal injury to the shooter and those nearby. Use lubricants properly. You are responsible for the proper care and maintenance of your firearm ammunition.

DISASSEMBLY

BEFORE DISASSEMBLING YOUR SHOTGUN, BE ABSOLUTELY CERTAIN THAT IT IS UNLOADED. AS AN ADDED PRECAUTION, VISUALLY CHECK THE CHAMBER AND MAGAZINE TUBE FOR ANY CARTRIDGES.

1. Move the manual safety button to the "SAFE" position.

2. Hit the shell latch and pull the bolt to the rear. Then the bolt will be locked in the rearward position. Check the chamber and mag tube to make sure there is no ammunition in the shotgun. **(Fig. 15)**



Fig. 15

3. Unscrew and remove the magazine cap by rotating it counter-clockwise. **(Fig. 16)**

4. Remove the forend and barrel as one unit.

5. Remove the barrel and forend, with either the bolt closed or in the open position. **(Fig. 17)**

6. Make sure the trigger assembly is in the cocked position with the safety on prior to removing the trigger assembly from the receiver. Next, using a punch, tap the pin out from left to right **(Fig 18)**. Then press the shell latch and pull the trigger assembly out. Do **NOT** pull the trigger while the trigger assembly is outside of the receiver.

7. If you removed the barrel with the bolt in the open position, push the bolt release button (while holding onto the bolt handle) and **SLOWLY** let the bolt go forward.



Fig. 16



Fig. 17



Fig. 18

8. With two fingers, pull out the bolt handle. Then remove the bolt from the receiver. **(Fig. 19 and Fig. 20)**
9. Using the punch, remove the trigger guard pin.



Your shotgun has now been completely disassembled. No further disassembly of your shotgun is necessary for routine maintenance and cleaning. Our service department or a competent gunsmith should only perform any further disassembly. An exploded view of the disassembled shotgun is shown in **Fig. 21**.

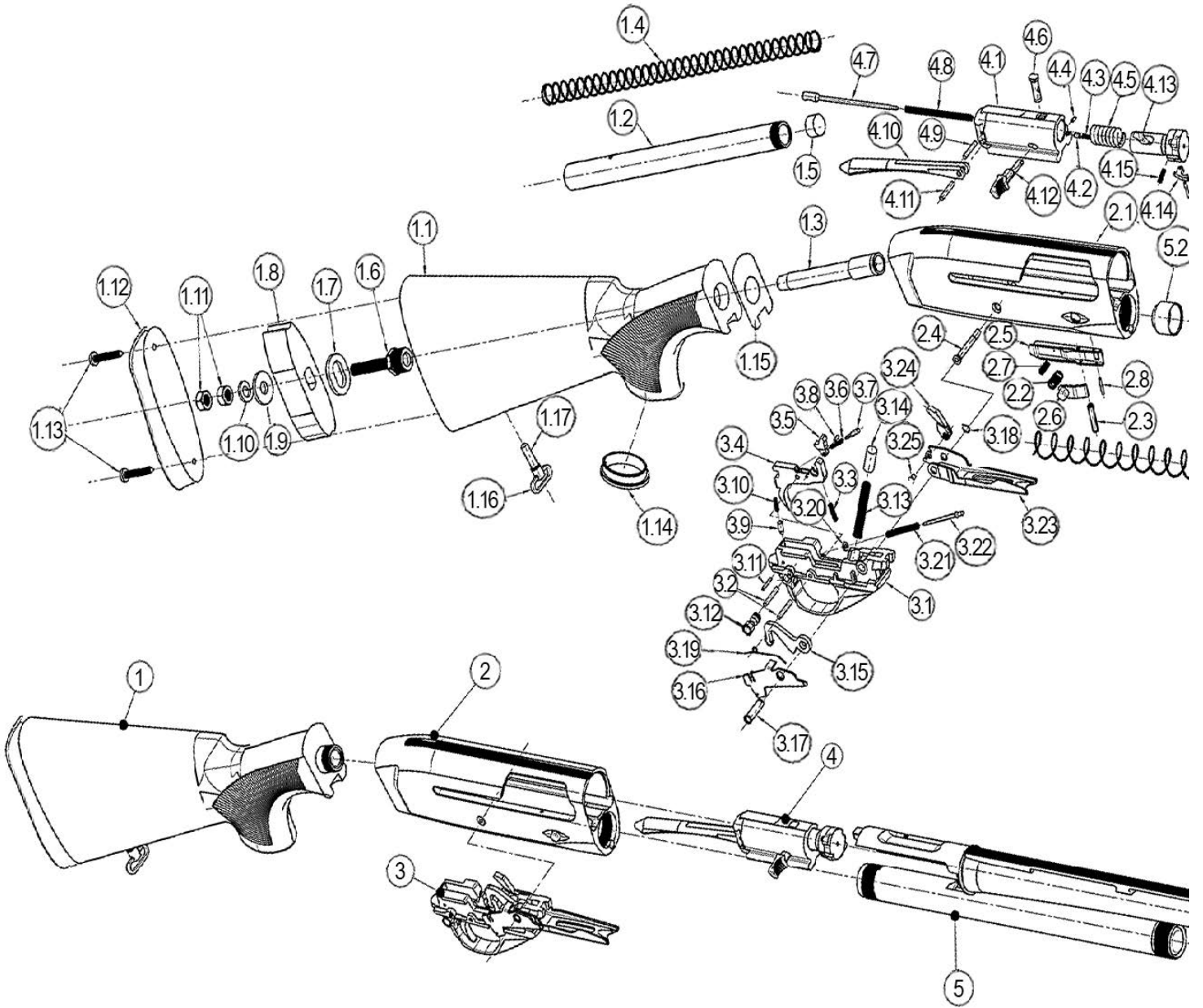
MAGAZINE CAPACITY PLUG

Your shotgun is supplied with a plug to limit the capacity of cartridges in the magazine tube. Your state may not require this plug to be used so it may be removed. To remove the plug, follow these steps.

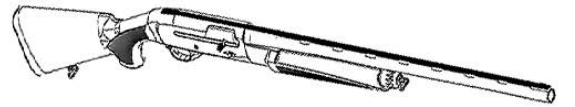
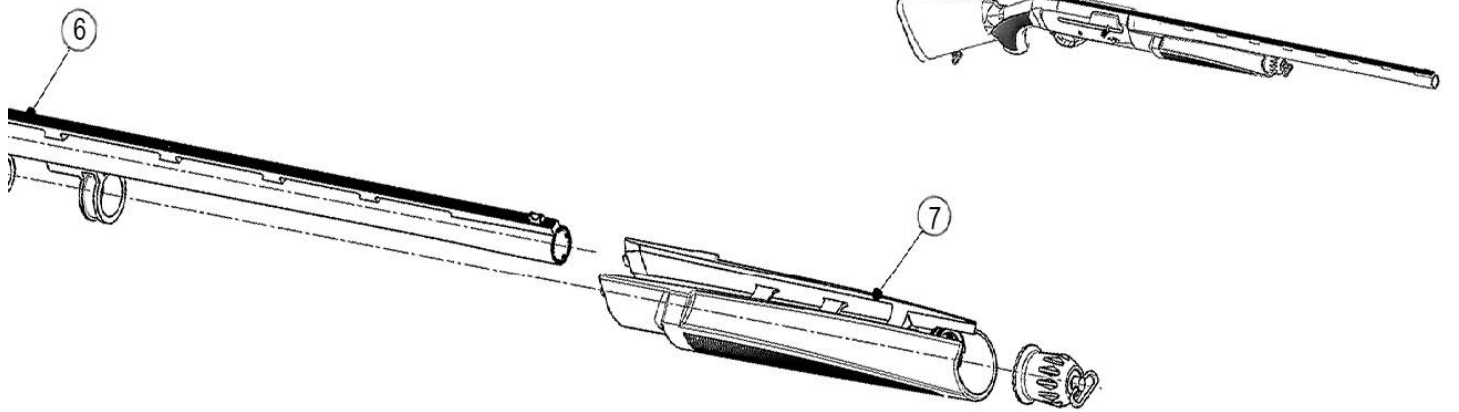
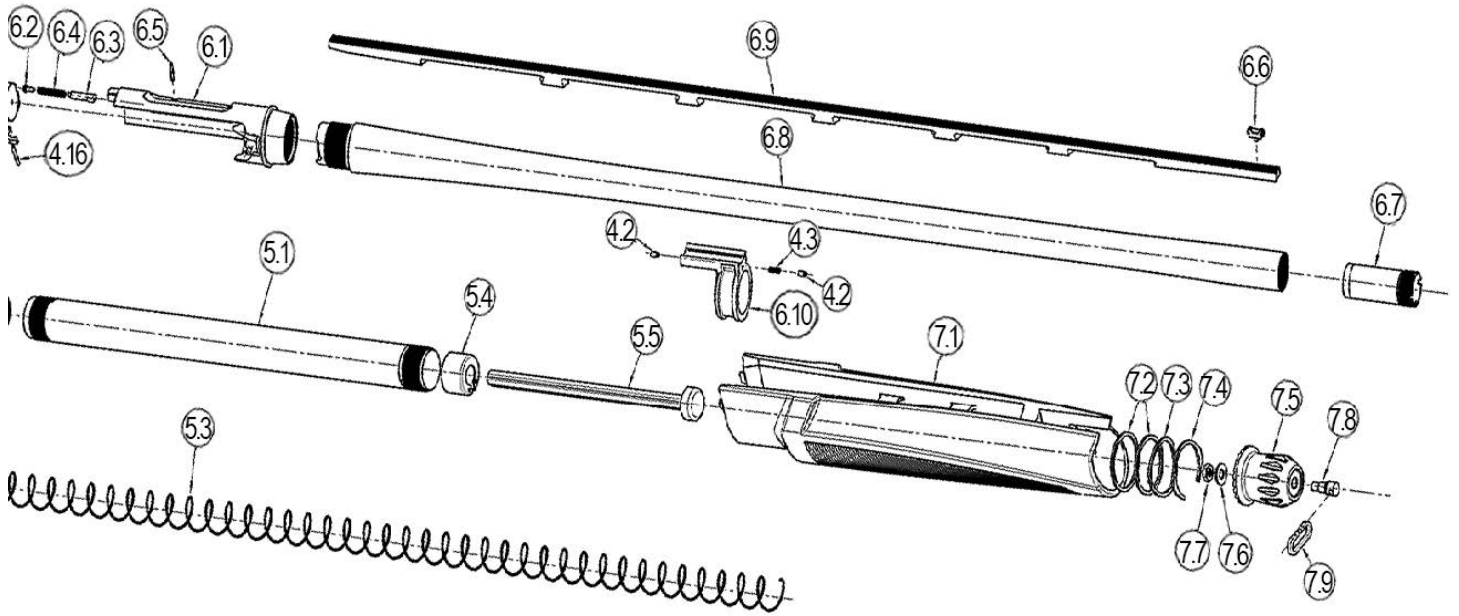
1. Unload the shotgun.
2. Unscrew and remove the magazine cap by rotating it counter-clockwise **(Refer to Fig. 16)**.
3. Remove the magazine capacity plug from the magazine tube by pulling it straight out **(Fig. 22)**.
4. Replace the magazine cap on the magazine tube by screwing it into place.



GENERAL ASSEMBLY



GENERAL ASSEMBLY



PARTS LIST

STOCK GROUP

- 1.1 STOCK
- 1.2 RECOIL SPRING GUIDE
- 1.3 RECOIL SPRING WEIGHT
- 1.4 RECOIL SPRING
- 1.5 SHOCK ABSORBER
- 1.6 SCREW
- 1.7 OVAL WASHER
- 1.8 STOCK SKID
- 1.9 WASHER
- 1.10 RONDELA
- 1.11 NUT
- 1.12 PAD (RUBBER)
- 1.13 PAD SCREW
- 1.14 ROSETTE
- 1.15 STOCK ADJUSTING PART
- 1.16 BELT HOLDER
- 1.17 BELT HOLDER PIN

FRAME GROUP

- 2.1 FRAME
- 2.2 FRAME SHEET SPRING
- 2.3 FRAME SHEET PIN
- 2.4 FRAME ASSEMBLY PIN
- 2.5 FRAME SHEET METAL BUSHING
- 2.6 FRAME SHEET METAL BUSHING
- 2.7 FRAME SHEET METAL BUSHING SPRING
- 2.8 FRAME SHEET METAL PIN

TRIGGER GROUP

- 3.1 TRIGGER GUARD
- 3.2 TRIGGER PIN
- 3.3 TRIGGER SPRING
- 3.4 TRIGGER
- 3.5 HAMMER HOLDER
- 3.6 HAMMER HOLDER SPRING
- 3.7 HAMMER HOLDER SPRING PIN
- 3.8 HAMMER HOLDER SPRING PIN
- 3.9 SAFETY SPRING PIN
- 3.10 SAFETY SPRING
- 3.11 SAFETY SPRING SUPPORT PIN
- 3.12 TRIGGER SAFETY BUTTON
- 3.13 HAMMER PISTON SPRING
- 3.14 HAMMER PISTON
- 3.15 HAMMER
- 3.16 TRIGGER GUARD INSERT SHEET
- 3.17 HAMMER PIN
- 3.18 HAMMER PIN RING
- 3.19 TRIGGER GUARD INSERT SHEET
- 3.20 SPECIAL STAMP
- 3.21 BULLET ELEVATOR SPRING
- 3.22 BULLET ELEVATOR SPRING PIN
- 3.23 BULLET SPOON
- 3.24 BULLET ELEVATOR
- 3.25 BULLET ELEVATOR PIN

PARTS LIST

MECHANISM GROUP

- 4.1 MECHANISM
- 4.2 PISTON
- 4.3 MECHANISMS LEVER PIN SPRING
- 4.4 MECHANISM LEVER PIN
- 4.5 ROTARY HEAD SPRING
- 4.6 ROTARY (BOLT) HEAD PIN
- 4.7 FIRING PIN
- 4.8 FIRING PIN SPRING
- 4.9 FIRING PIN SUPPORT PIN
- 4.10 MECHANISM SUPPORT
- 4.11 MECHANISM SUPPORT PIN
- 4.12 MECHANISM LEVER
- 4.13 ROTARY HEAD
- 4.14 EXTRACTOR
- 4.15 ROTARY HEAD EXTRACTOR SPRING
- 4.16 EXTRACTOR

MAGAZINE GROUP

- 5.1 MAGAZINE TUBE
- 5.2 MAGAZINE SPRING BUSHING
- 5.3 MAGAZINE SPRING
- 5.4 MAGAZINE RING
- 5.5 LIMITTER

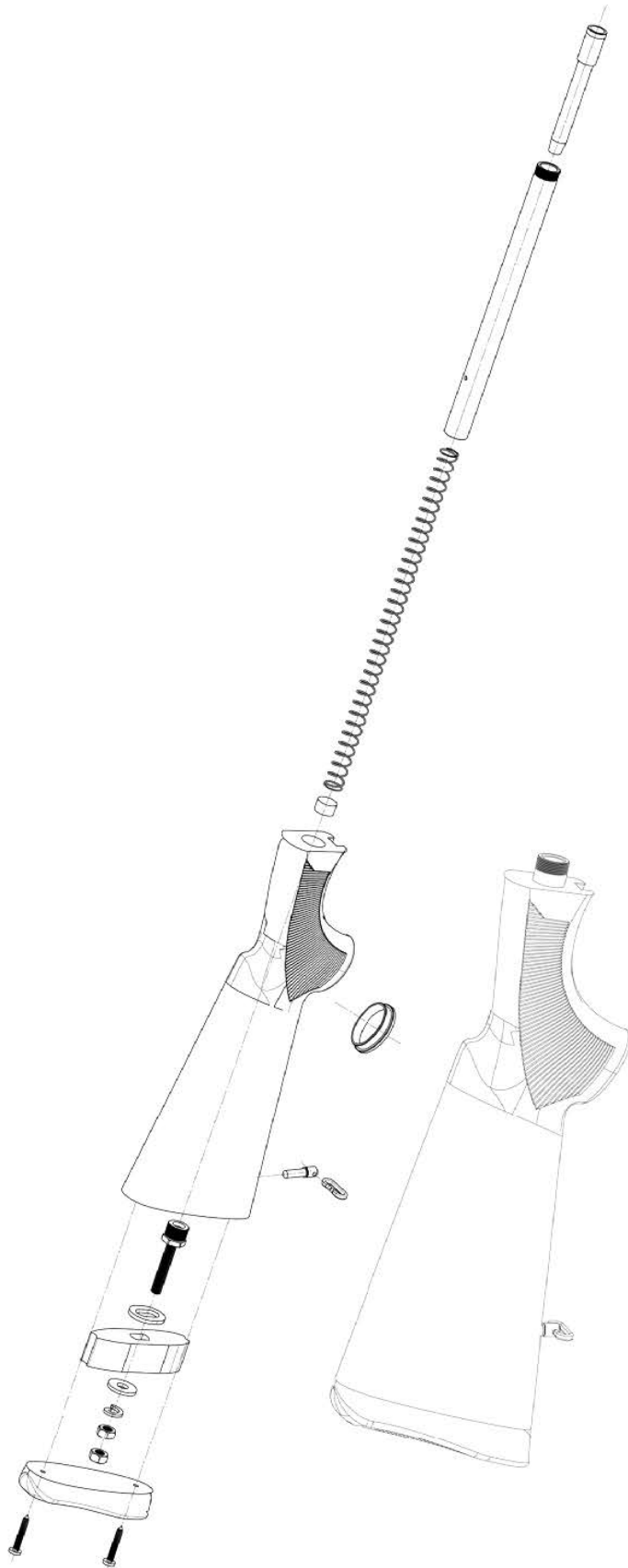
BARREL GROUP

- 6.1 BARREL BUSHING
- 6.2 CARTRIDGE LAUNCHER PISTON
- 6.3 CARTRIDGE LAUNCHER
- 6.4 CARTRIDGE LAUNCHER SPRING
- 6.5 CARTRIDGE LAUNCHER PIN
- 6.6 SIGHT
- 6.7 MOBILE SHOCK
- 6.8 BARREL
- 6.9 BARREL RIB
- 6.10 BARREL HOLDER
- 4.2 BARREL HOLDER PISTON
- 4.3 MECHANISM LEVER PIN SPRING

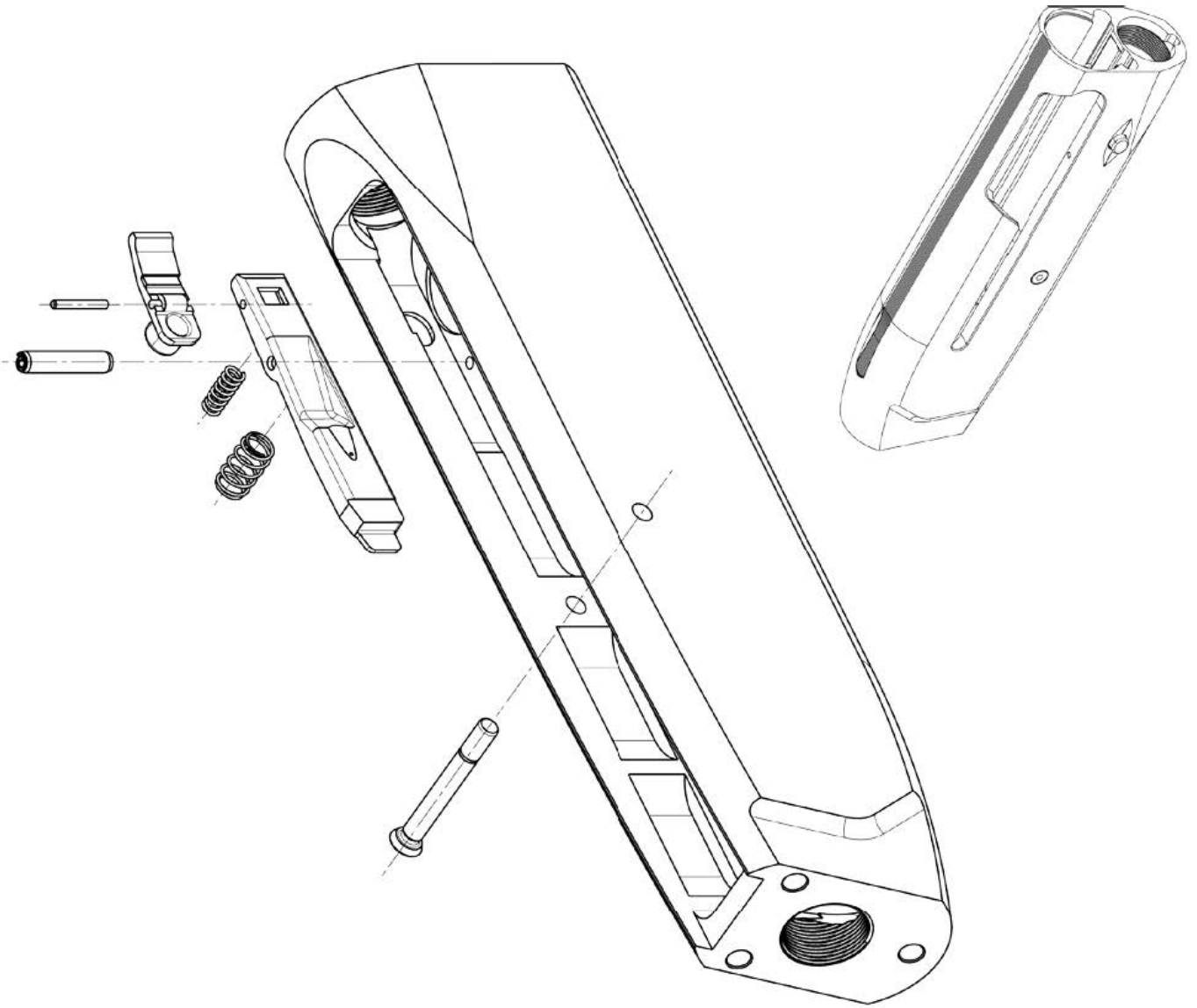
FOREND GROUP

- 7.1 FOREND GROUP
- 7.2 THICK STAMP
- 7.3 SPRING RING
- 7.4 FOREND RING
- 7.5 FOREND SCREW
- 7.6 FOREND BELT STAMP
- 7.7 FOREND BELT SCREW
- 7.8 BELT PIN
- 7.9 FOREND BELT

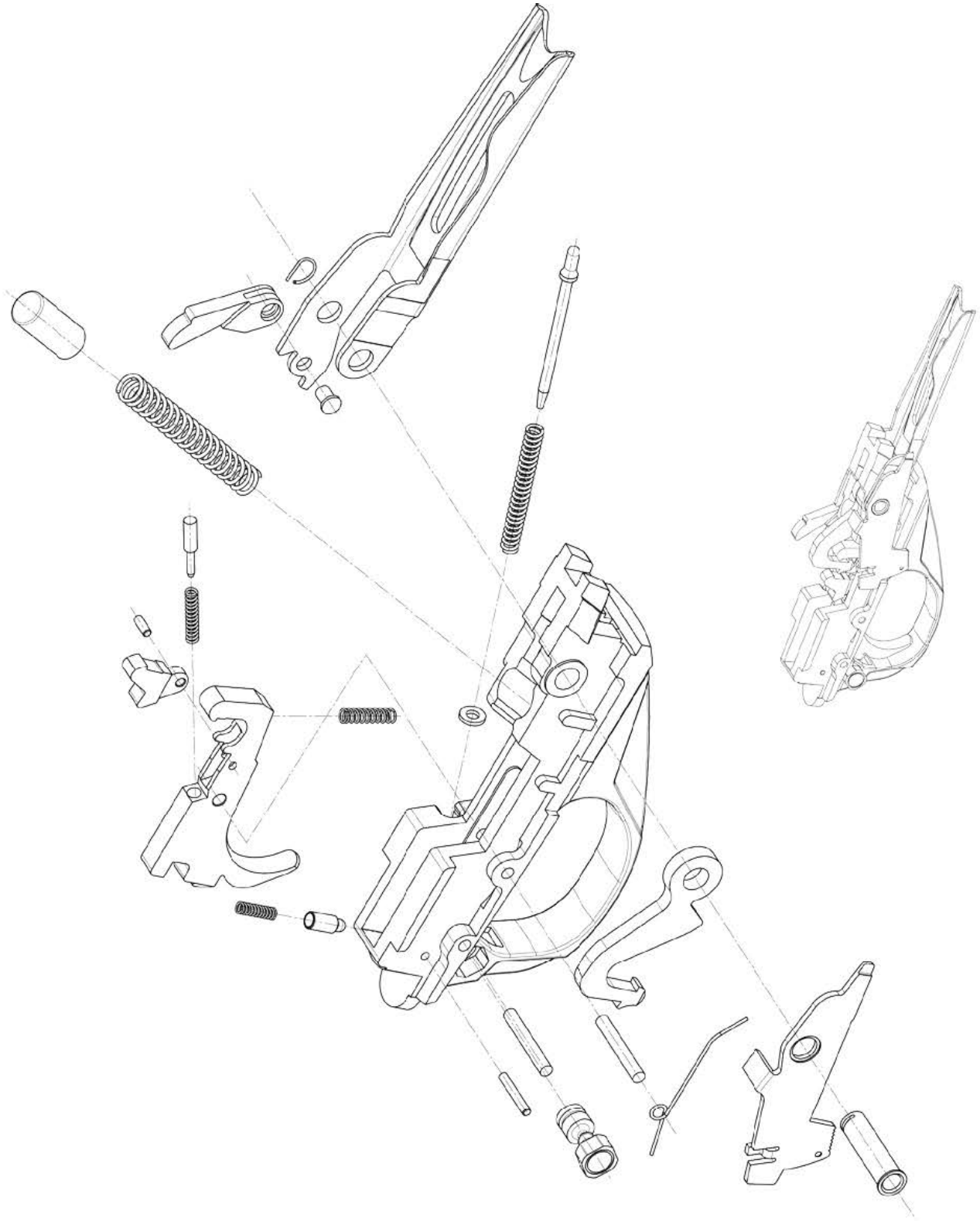
STOCK GROUP ASSEMBLY



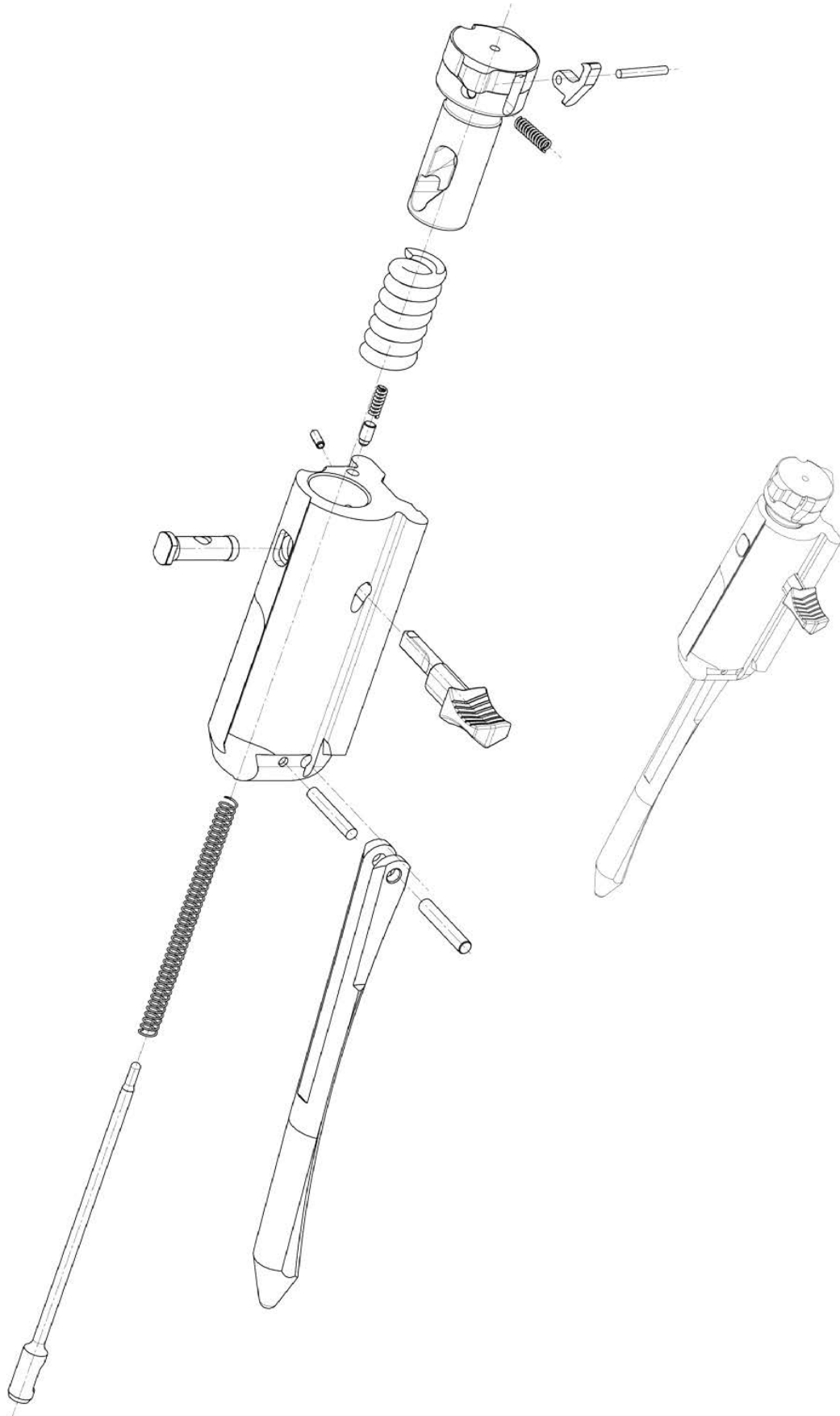
FRAME GROUP ASSEMBLY



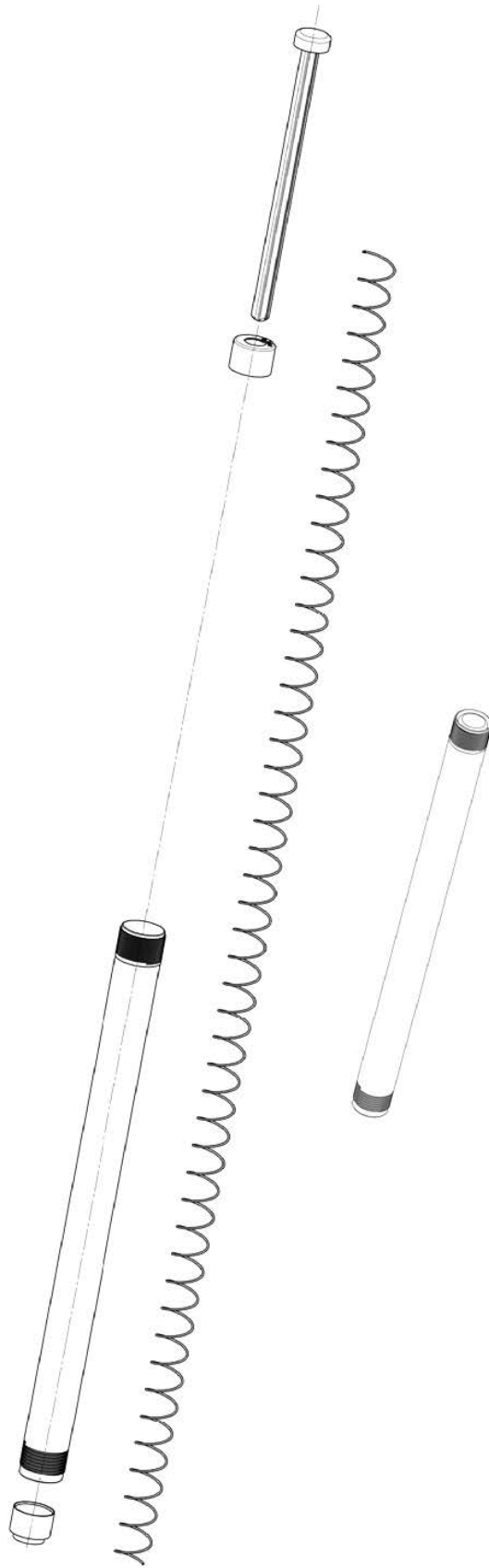
TRIGGER GROUP ASSEMBLY



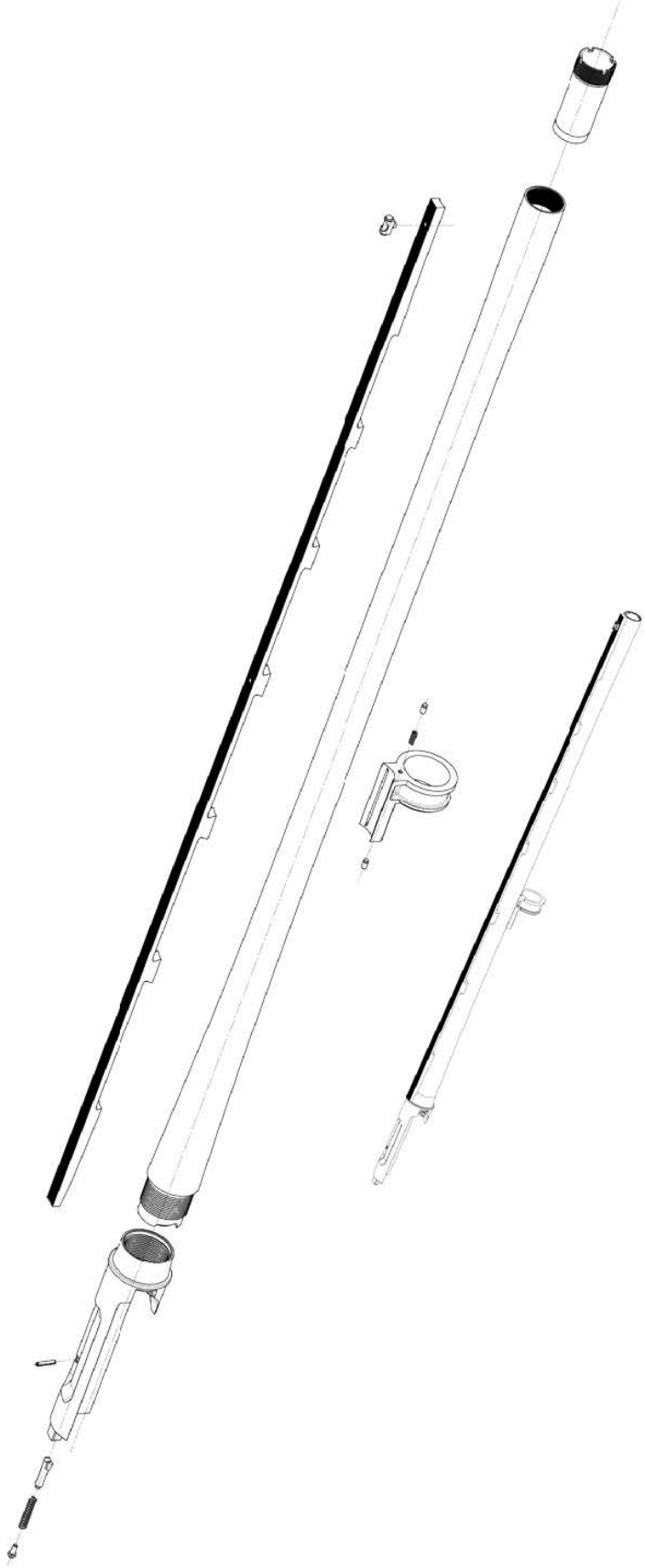
MECHANISM GROUP ASSEMBLY



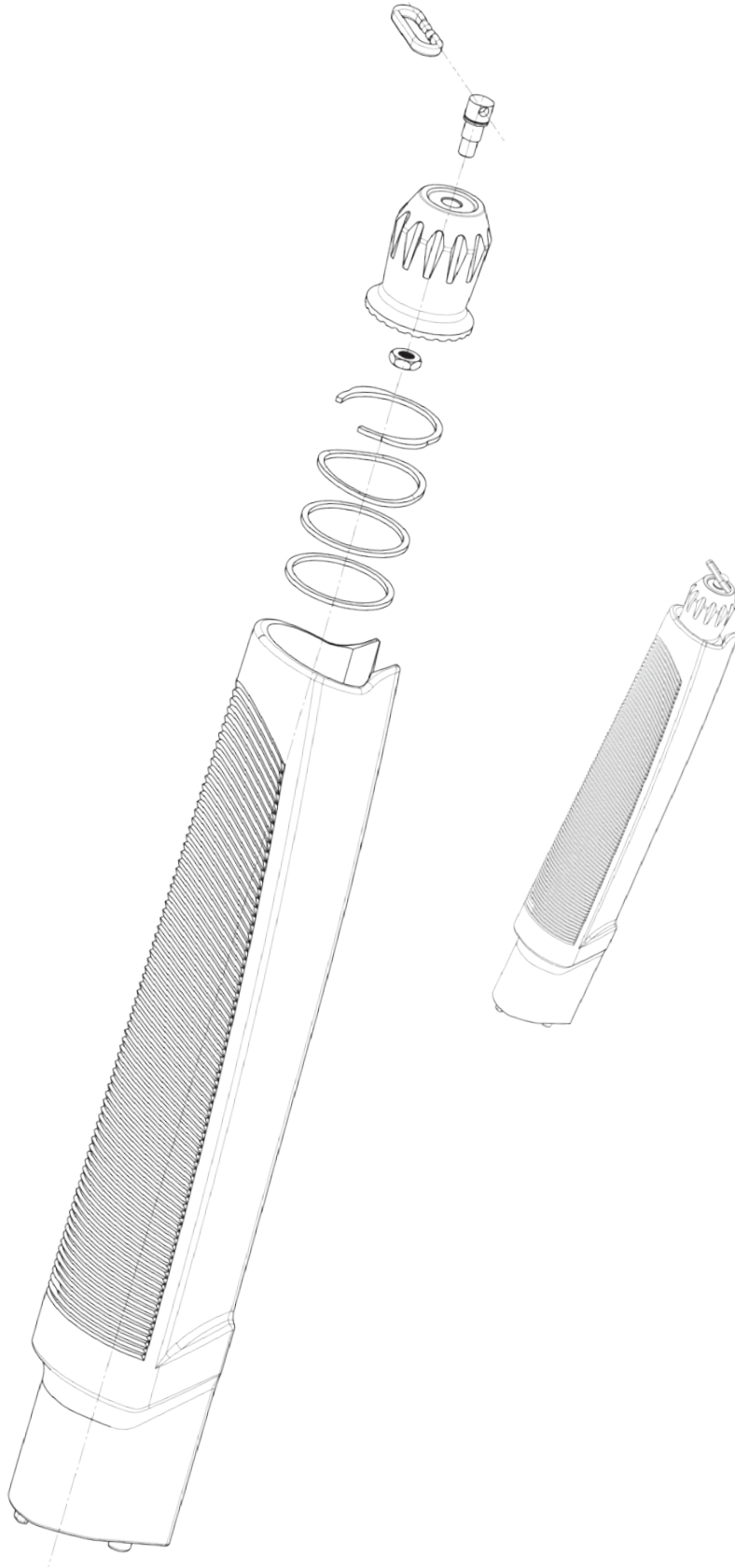
MAGAZINE GROUP ASSEMBLY



BARREL GROUP ASSEMBLY



FOREND GROUP ASSEMBLY



CLEANING & STORAGE

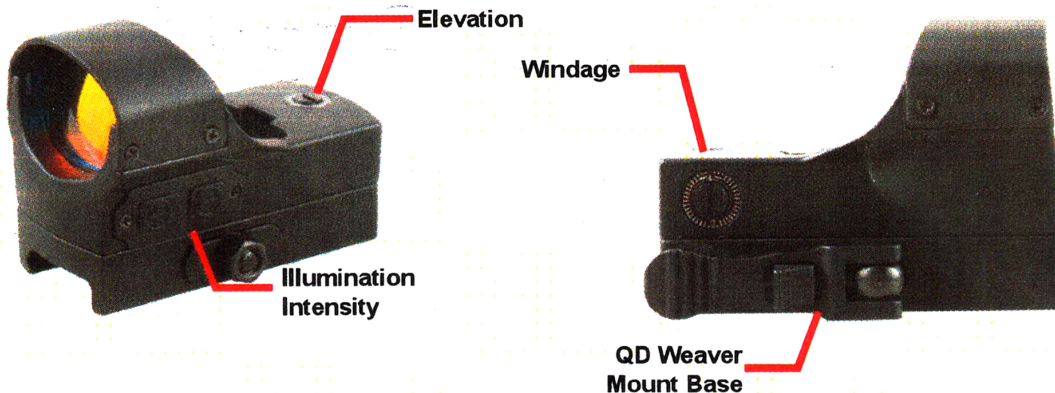
After extended shooting sessions, it will be necessary to clean your shotgun. Semi-auto shotguns require more cleaning than any other type of shotgun, because of their gas operated construction. Periodically, clean the bore with proper cleaning equipment. Oil all metal surfaces lightly with high quality gun oil. Never pour oil into any inside mechanisms. If you will be storing your shotgun for long periods of time, apply gun grease to all metal parts, store the shotgun in a dry, and secure area. When you clean the shotgun, make sure the muzzle is not plugged with any heavy grease that would cause a barrel obstruction.

TO CLEAN AND MAINTAIN YOUR SHOTGUN:

1. Follow procedures for unloading the shotgun as described previously.
2. Follow procedures for disassembly of the shotgun as described previously.
3. Materials needed to clean this shotgun are: a cleaning rod, cotton bore patches, brass bore brush, powder solvent, a small soft brush and good quality gun oil.
4. Using the bore brush with powder solvent, scrub the interior of the barrel and chamber to remove any powder and lead residue in the bore. Always and lastly, swab the interior of the barrel with cotton patch with gun oil to coat and protect the bore and chambers from rust and corrosion.
5. Any powder fowling on the firing wall, barrel, etc. can be easily cleaned with a brush and powder solvent.
6. All external surfaces should be wiped down with a light coat of rust preventative. Avoid using too much oil as powder, dust or other foreign material may get trapped in the oil. This could lead to congealed deposits which may interfere with the safe and reliable operation of the shotgun.
7. USE CAUTION while using solvents in gun bore cleaning. Prolonged or excess contact with solvents can damage the gun's bluing and finish. Be sure to wipe away all excess solvent and then lubricate with oil.
8. A gun should be cleaned after firing. In addition, external parts should be wiped with an oiled cloth after handling. A light oil is ordinarily all that is necessary in cleaning if the gun has not been fired or fired very little. If a gun is used frequently, it must be cleaned after each firing and regularly serviced by a professional gunsmith.
9. If the gun has been stored, remove all excess oil and/or grease before firing. Always check to be sure that no cleaning patch or other obstruction remains in the bore or chambers before firing.

For MC312 models with included optic only

Instruction for Girsan 1x22x33 Red Dot Sight



WARNING: NEVER LOOK AT THE SUN THROUGH THE RED DOT SIGHT (OR ANY OTHER OPTICAL INSTRUMENT). IT MAY PERMANENTLY DAMAGE YOUR EYES. MAKE SURE FIREARMS ARE UNLOADED AND POINTED TO THE SAFE DIRECTION.

MOUNTING

The red dot sight is installed on gun by means of QD weaver mount base. Set the mount onto the rail base so that the rail clamp bolt aligns with the crosscut grooves on your picatinny rail. Work the rail clamp into the rail until the crossing bolt seats onto the rail. Securely tighten the red dot sight by locking screw. Do not over tighten the mounting system. It may damage the red dot sight's mount.

PRECISION ADJUSTMENT

Before adjust make sure the red dot sight is mounted on the gun on a solid support. Windage is the horizontal (left-to-right) adjustment, usually on the side of the red dot sight. Elevation is the vertical (up-and-down) adjustment, usually on the top of the red dot sight.

The red dot sight features 1 M.O.A. windage and elevation adjustment. Slowly shoot a small 3 to 5 round test group onto your target. Adjust windage & elevation screws in the direction you want to move the bullet impact. Each adjustment changes bullet strike at a shooting distance by the amount indicated. Shoot another 3 to 5 round test group. Repeat until you are satisfied with the point of aim.

BATTERY EXCHANGE

Your red dot sight is powered by 1 piece of CR2032 button battery. Should the dot grow dim or not turn on, you will need to exchange the battery. To exchange CR2032 battery, release the bottom bolt and remove the weaver mount base. Take out the used battery, exchange with 1 new battery and then fasten the weaver mount base again.

ACTIVATE THE RED DOT SIGHT

Press the red / green illumination button will turn the red / green illumination on. The 1st level to the weakest and the 6th level to the brightest. Subsequently turn the illumination switch will change the dot intensity. Pressing the - illumination button more than 3 seconds will turn the unit off.

MAINTENANCE

Your red dot sight, though amazingly tough, is a precision instrument that deserves reasonable cautious care.

1. When cleaning the lens, first blow away any dirt and dust, or use a soft lens brush. Fingerprints and lubricants can be wiped off with lens tissue, or a soft clean cotton cloth, moistened with lens cleaning fluid.
2. All moving parts of the red dot sight are permanently lubricated. Do not try to lubricate them.
3. No maintenance is needed on the red dot sight's outer surface, except to occasionally wipe off dirt or fingerprints with a soft cloth.
4. Use lens covers whenever convenient.

STORAGE

Avoid storing the red dot sight in hot places, such as the passenger compartments of vehicles on hot days. The high temperatures could adversely affect the lubricants and sealants. A vehicle's trunk, a gun cabinet or a closet is preferable. Never leave the red dot sight where direct sunlight can enter either the objective lens.

Damage may result from the concentration (burning glass effect) of the sun's rays.

For MC312 models with included optic only

ONE YEAR LIMITED WARRANTY

Your Vector Optics product is warranted free of defects in materials and workmanship for a period of 1 year from date of purchase by the original purchaser. Batteries, damages caused by misuse or improper handling are not covered by this warranty. In the event of a defect under this warranty, we will repair or replace the Vector Optics product at our option. Also, this warranty is null and void if modification or maintenance is provided by someone other than Vector Optics or European American Armory Corp or if the product is outside the continental USA. This warranty is non-transferable.

For optics warranty and service DO NOT SEND THE COMPLETE FIREARM, ONLY SEND THE OPTICS.... Any implied warranties, including the implied warranties of merchantability and fitness for a particular purpose, are limited to one year from date of original purchase, Consequential or incidental damages and / or expenses, or any other expenses are not covered by this warranty.

For more details please visit our website, thanks for your support.

www.vectoroptics.com

To obtain Optics warranty performance send your optics only with proof of purchase only to:

VO

27 S 1300 W

Pleasant Grove, Utah 84062

561-701-2863 (cell)





WARNING

Lead or lead compounds are known to the State of California to cause cancer, birth defects, reproductive toxicity, and other serious physical injury. Those who clean firearms should take protective measures to avoid contact or exposure to such chemicals.

MANUFACTURER'S WARNING

This firearm was manufactured to properly perform with the original parts as designed. It is your duty to make sure any parts you buy are correctly installed and that neither replacements nor originals are altered or changed. Your gun is a complex tool with many parts that must relate correctly to other parts for safe and accurate operation. Putting a gun together wrong or with modified parts can result in a damaged gun, or personal injury or death to you or others. Always let a qualified gunsmith work on your gun or at least, check any work not performed by a gunsmith. Firearms safety is your primary concern. **THE GUN OWNER MUST ACCEPT FULL RESPONSIBILITY FOR THE CORRECT REASSEMBLY AND FUNCTIONING OF THE FIREARM AFTER ANY DISASSEMBLY OR REPLACEMENT OF PARTS.**

LIMITED LIFETIME WARRANTY

This European American Armory Corp. firearm is warranted to the original retail customer for life from date of purchase against defects in material and workmanship. All parts and labor or replacement **at our option** are covered. **Transportation to and from our repair facilities**, government fees, damage caused by failure to perform normal maintenance, sales outside the United States, damage due to use of high velocity, high pressure, reloaded or other nonstandard ammunition, or any unauthorized repair, modification, misuse, abuse, or alteration of the product is not covered by this Limited Warranty.

Any implied warranties, including the implied warranties of merchantability and fitness for a particular purpose, are limited to one year from date of original retail purchase. Consequential or incidental damages and/or expenses, or any other expenses are not covered by this warranty.

To obtain warranty performance send your firearm with proof of retail purchase, freight prepaid to: **European American Armory Corporation**

1426 King Street Cocoa, FL 32922

All other mail should go to: **EAA Corp, P.O. BOX 3008, Cocoa, FL 32924**

NOTE: It is illegal to ship a firearm with ammunition in the firearm or in the same packaging. Firearms and ammunition must be shipped separately. For information about shipping ammunition, call EAA Corp at (321) 639-4842.

 **WARNING**

Children are attracted to and can operate firearms that can cause severe injuries or death. Prevent child access by always keeping guns locked away and unloaded when not in use. If you keep a loaded firearm where a child can obtain and improperly use it, you may be fined or sent to prison.

 **ADVERTENCIA**

A los niños les atraen las armas de fuego y los pueden hacer funcionar. Ellos pueden causarse lesiones graves y la muerte. Evite que los niños tengan acceso a las armas de fuego guardándolas siempre con llave y descargadas cuando no las esté utilizando. Si usted tiene un arma de fuego cargada en un lugar en que un niño tiene acceso a ella y la usa indebidamente. Le pueden dar una multa o enviarlo a la cárcel.

IMPORTER

European American Armory Corporation
1426 King Street
Cocoa, FL 32922
PH: (321) 639-4842
Fax: (321) 639-7006
www.eaacorp.com
eaacorp@eaacorp.com

MANUFACTURER

GIRSAN
Teyyaredüzü Mh, Sunta Sk. No: 25
GİRESUN
T: +90 454 215 29 31
: +90 454 215 39 35
F: +90 454 215 39 28
www.girsan.com
girsan@girsan.com