

**WS** WEBLEY & SCOTT  
GUNMAKERS 1790

# USER'S MANUAL

**MODEL: OVER & UNDER**

**12/20 GAUGE  
3000 SERIES**



**READ THE INSTRUCTIONS  
AND WARNINGS  
IN THIS MANUAL  
CAREFULLY  
BEFORE  
USING THIS SHOTGUN!**

BECAUSE OF TRAPPED MOISTURE THAT MAY CAUSE RUSTING IT IS NOT ADVISEABLE TO STORE YOUR SHOTGUN IN A CARRY CASE.

## INDEX

---

<b>SAFETY RULES</b>	<b>2</b>
<b>EXPLODED VIEW</b>	<b>3</b>
<b>NOMENCLATURE</b>	<b>4</b>
<b>INSPECTING AND INITIAL ASSEMBLY</b>	<b>5</b>
<b>LOADING AND USAGE</b>	<b>7</b>
<b>UNLOADING</b>	<b>8</b>
<b>DISASSEMBLY - FIELD STRIPPING</b>	<b>9</b>
<b>EXPLODED VIEW</b>	<b>11</b>
<b>CLEANING AND MAINTENANCE</b>	<b>13</b>

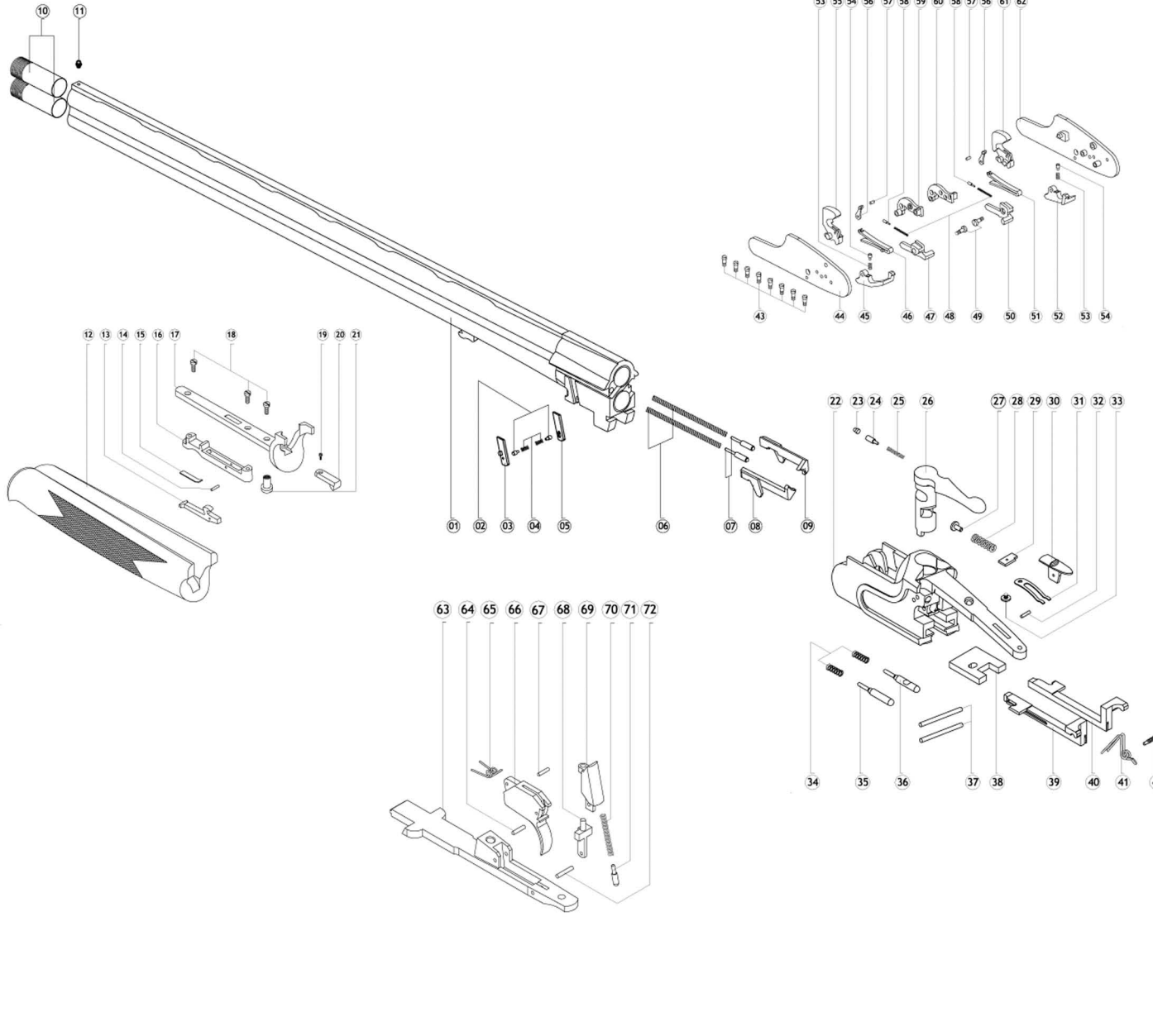
---

## SAFETY RULES

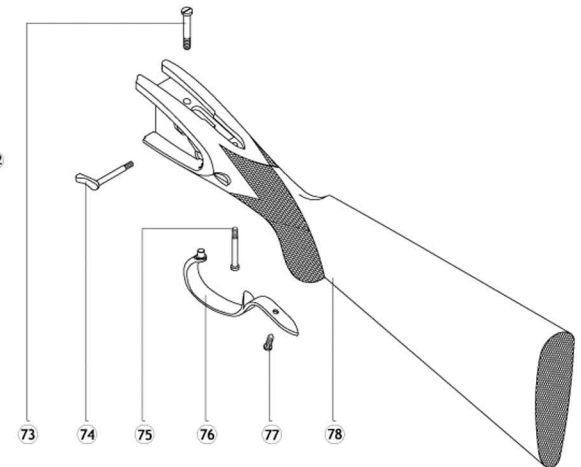
**WARNING: THE FAILURE TO FOLLOW THESE SHOTGUN SAFETY REQUIREMENTS WILL CAUSE SERIOUS PERSONAL INJURY OR DEATH TO YOU OR OTHERS.**

- ALWAYS TREAT ALL FIREARMS AS IF THEY WERE LOADED. NEVER ASSUME THAT A FIREARM IS UNLOADED.
- NEVER POINT THE FIREARMS AT SOMETHING THAT IS NOT SAFE TO SHOOT.
- STORE ALL THE FIREARMS SO THAT CHILDREN CANNOT GAIN ACCESS TO THEM. IT IS YOUR RESPONSIBILITY TO INSURE THAT UNAUTHORIZED PERSONS DO NOT GAIN ACCESS TO YOUR FIREARM. TO REDUCE THE RISK OF ACCIDENTS INVOLVING CHILDREN, UNLOAD YOUR FIREARM, LOCK IT AND STORE THE AMMUNITION IN A SEPERATE LOCKED LOCATION.
- ALWAYS WEAR ADEQUATE AND PROPER EAR PROTECTORS.
- ALWAYS WEAR SAFETY PROTECTIVE GLASSES SPECIFIED FOR FIREARM USE.
- ALWAYS BE ALERT AND ALWAYS FOLLOW THE SAFETY INSTRUCTIONS OF THE RANGE OFFICER. NEVER SHOOT IF YOU ARE TIRED, COLD OR IMPAIRED IN ANY WAY.
- ALWAYS BE AWARE OF OTHER PEOPLE SO THAT PERSONS CANNOT ACCIDENTALLY WALK INTO THE LINE OF FIRE.
- THE SHOOTER (AND ALL OTHERS IN THE SHOOTING AREA) MUST ALWAYS BE IN A POSITION THAT IS OUT OF THE LINE OF FIRE.
- NEVER SHOOT AT HARD SURFACES, WATER OR RANDOMLY INTO THE SKY. ALWAYS SELECT A PLACE TO SHOOT THAT HAS A SAFE BACKSTOP AND IS FREE FROM OBSTRUCTIONS AND WATER SURFACES WHICH CAUSE RICOCHETS.
- NEVER CLIMB A TREE, FENCE OR OBSTRUCTION WITH A LOADED FIREARM. OPEN AND EMPTY THE CHAMBER OF YOUR FIREARM AND ENGAGE THE MANUAL SAFETY BEFORE CLIMBING OR DESCENDING A TREE OR BEFORE CLIMBING A FENCE OR JUMPING OVER A DITCH OR OBSTRUCTION.
- NEVER TRANSPORT A LOADED FIREARM.
- NEVER USE ALCOHOL OR DRUGS BEFORE OR WHILE SHOOTING OR HANDLING ANY FIREARM.

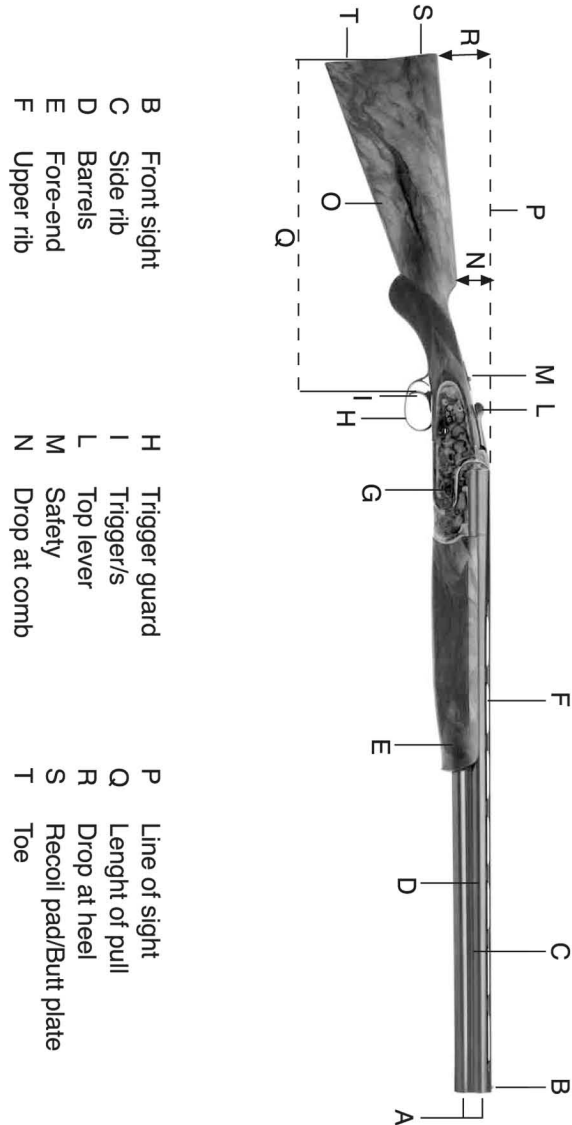
# WS30120U/WS3020U



STOCK NO	PART NAME	STOCK NO	PART NAME
01	BARREL	40	RIGHT COCKING ROD
02	SLIDE RETAINER PINS	41	TOP LEVER SPRING
03	LEFT SLIDE	42	TOP LEVER SPRING SCREW
04	SPRING SLIDE	43	BRIDAL SCREW (8)
05	RIGHT SLIDE	44	LEFT LOCK PLATE
06	EJECTOR SPRING	45	LEFT SEAR
07	EJECTOR SPRING PINS	46	LEFT HAMMER SPRING
08	TOP EJEKTOR ROD	47	LEFT SAFETY SEAR
09	BOTTOM EJEKTOR ROD	48	SAFETY SEAR SPRING
10	CHOKE TUBES	49	SAFETY SEAR
11	SIGHT BEADS	50	RIGHT SAFETY SEAR
12	FOREND WOOD	51	RIGHT HAMMER SPRING
13	RETAINER LATCH	52	RIGHT SEAR
14	LATCH RETAINER PIN	53	SEAR SPRING
15	LATCH SPRING	54	SEAR PLUNGER
16	LATCH HOUSING	55	LEFT HAMMER
17	FOREND IRON	56	STIRUP
18	FOREND IRON RETAINER SCREWS	57	STIRUP PIN
19	COCKING ARM RETAINER	58	SAFETY SEAR PLUNGER
20	COCKING ARM	59	LEFT BRIDAL
21	ESCHESEN	60	RIGHT BRIDAL
22	RECEIVER	61	RIGHT HAMMER
23	FRONT TOP LEVER PIN	62	RIGHT LOCK PLATE
24	REAR TOP LEVER PIN	63	TRIGGER PLATE
25	TOP LEVER PIN SCREW	64	REAR TRIGGER PIN
26	TOP LEVER / SPINDLE	65	TRIGGER SPRING
27	TOP LEVER SPRING CAP	66	TRIGGER
28	TOP LEVER SPRING	67	FRONT TRIGGER PIN
29	TOP LEVER SPRING RETAINER	68	LOWER SELECTOR BLOCK
30	SAFETY SLIDE	69	UPPER SELECTOR BLOCK
31	SAFETY SLIDE SPRING	70	SELECTOR BLOCK SPRING
32	SAFETY SLIDE RETAINER PIN	71	SELECTOR BLOCK PLUNGER
33	SAFETY SPRING SCREW	72	TRIGGER BLOCK PIN
34	FIRING PIN SPRINGS	73	TOP TANG RETAINER SCREW
35	TOP FIRING PIN	74	TRANSVERSE PIN
36	BOTTOM FIRING PIN	75	BOTTOM TANG RETAINER SCREW
37	FIRING PIN RETAINER PIN	76	GUARD BOW
38	LOCKING BOLT	77	GUARD BOW RETAINER SCREW
39	LEFT COCKING ROD	78	BUTT STOCK



## NOMENCLATURE



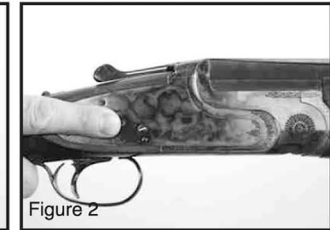
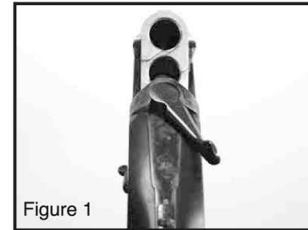
- |   |             |   |               |   |                       |
|---|-------------|---|---------------|---|-----------------------|
| B | Front sight | H | Trigger guard | P | Line of sight         |
| C | Side rib    | I | Trigger/s     | Q | Length of pull        |
| D | Barrels     | L | Top lever     | R | Drop at heel          |
| E | Fore-end    | M | Safety        | S | Recoil pad/Butt plate |
| F | Upper rib   | N | Drop at comb  | T | Toe                   |

{ 5 }

## INSPECTING AND INITIAL ASSEMBLY

### INSPECT

- When you inspect your shotgun, you should first check for yourself to ensure that it is unloaded. To do this, open the action and look into the barrel from the breech end and make sure there are no shells in the chamber (Figure 1).
- Verify that the barrel is clear and free of obstructions. Always keep your fingers away from the trigger when closing the action (Figure 2).

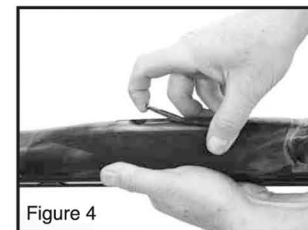


### INITIAL ASSEMBLY

Your Shotgun is shipped from the factory with the barrel and fore-end not assembled to the receiver (Figure 3).



- Remove the fore-end from the barrel (Figure 4 & 5).

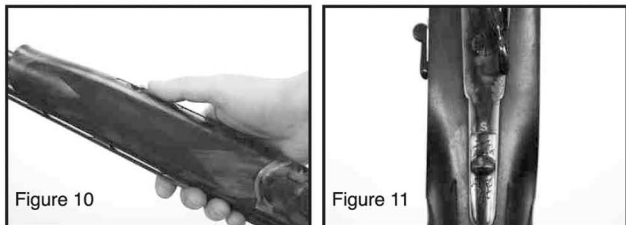
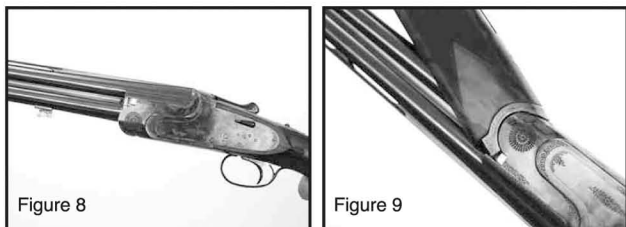
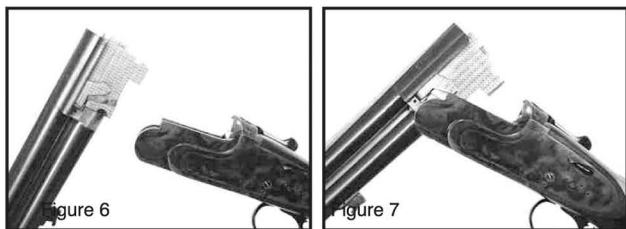


{ 6 }

## INSPECTING AND INITIAL ASSEMBLY

- Move the release lever to the right.
- Holding the barrel assembly in one hand and the frame assembly in the other hand, engage the recess in the barrel lug onto the hinge pin in the frame (Figure 6 & 7).
- Rotate the barrel upwards at the muzzles to close the action (Figure 8).
- Place the rear of the fore-end iron against the receiver. Align the fore-end latch hook into the receiver (Figure 9) and carefully rotate the fore-end into place.
- Push the fore-end lever closed - flush with the fore-end surface to lock it into place (Figure 10).
- Make sure the safety is in the "SAFE" position (Figure 11).
- Move the release lever to the right and open the action (Figure 12).
- Look into the barrel from the breech end and make sure there are no shells in the chamber and no barrel obstructions.

Always keep your fingers away from the trigger when closing the action.



## LOADING AND USAGE



- Do not load the shotgun until you have read and fully understand this manual, and you are ready to use it.
  - Point the muzzle downward and in a safe position.
  - Move the release lever to the right and open the action (Figure 12).
  - Look into the barrel from the breech end and make sure there are no barrel obstructions.
  - Engage the safety if it is not already engaged.
  - Place a shell which is only factory-loaded, new ammunition into each chamber (Figure 13). Be certain that each round you use is in the proper gauge. The gauge of the firearm is clearly marked on the barrels of shotguns.
  - Use only high quality ammunition specifically designed for your gauge of shotgun. Each barrel is marked with the size of cartridge it will accept. If the barrel is marked "76" it will accept 3" and 2 3/4" cartridges. All Webley&Scott 3000 series are proofed to fire steel shot.
- ! WARNING:** The accidental loading and discharge of cartridges of the wrong gauge in your gun can result in damage to your gun and injury to the shooter and/or others.
- To be safe, carry only the correct gauge ammunition with you when shooting.
- Close the action (Figure 2).
  - Always keep your fingers away from the trigger whenever you do not intend to fire.
  - Move the safety fully forward to the "FIRE" position.
  - The shotgun is now ready to fire.

This shotgun has a sequential trigger, the lower barrel always fires first. A repeat pull fires the second shell from the upper barrel.

If the shotgun features a Double Trigger, the pull on the front trigger fires the lower barrel and the pull on the rear trigger fires the upper barrel.

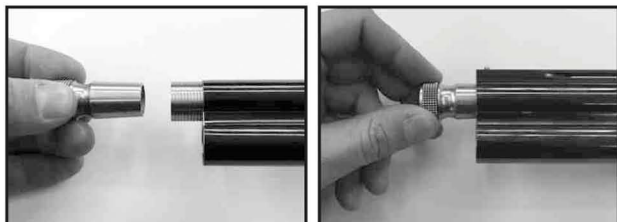
Always keep your fingers away from the trigger when closing the action (Figure 2).

## EJECTORS / MULTI CHOKE TUBES

### (AUTOMATIC EJECTORS)

Your gun is equipped with automatic ejectors. When you open the breech of the shotgun, it will automatically eject a fired case and partially extract any unfired shell for easy removal by hand.

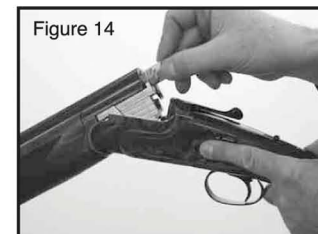
MULTI CHOKE TUBES		
★	FULL	This Webley & Scott Over & Under shotgun is equipped with interchangeable multi-choke tubes.
★★	IMP MOD	Each choke is marked on the outside diameter. STEEL SHOT WARNING!
★★★	MOD	Steel shot (up to and including size 2 shot) should not be fired through your shotgun with a choke tighter than modified.
★ ★★ ★★★	IMP CYL	If larger than size 2 shot is used, the tightest choke used should be an improved cylinder.
★★★ ★★★★	CYL	



## DISASSEMBLY / RE-ASSEMBLY

### Decocking the Hammers/Un-Cock the Trigger Mechanism

To decock the hammers without possible firing pin damage, place a snapcap in each barrel before pulling the triggers (Figure 14).

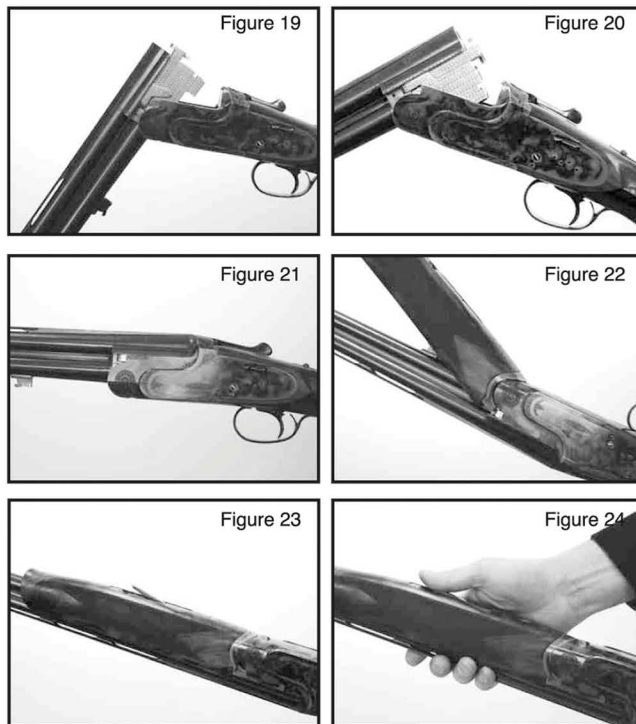


- Verify that the chambers are empty and close the action.
- Pull down on the fore-end lever and remove the fore-end (Figure 15).
- Move the release lever to the right and open the action (Figure 16).
- Pivot the barrel downward at the muzzles and remove the barrel assembly from the receiver (Figure 17 & 18).



## DISASSEMBLY / RE-ASSEMBLY

- Before re-assembly verify that the barrel is free of bore obstructions.
- Holding the barrel assembly in one hand and the frame assembly in the other hand, engage the barrel pivot onto the hinge pin within the frame (Figures 19 & 20).
- Rotate the barrel upwards at the muzzles to close the action (Figure 21).
- Place the rear of the fore-end iron against the receiver (Figure 22). Align the fore-end latch hook into the receiver (Figure 23) and carefully snap the fore-end into place.
- Push the fore-end lever closed - until it is flush with the foreend surface (Figure 24).



{ 11 }

## DISASSEMBLY / ASSEMBLY THE SIDELOCKS

### DISASSEMBLY THE SIDELOCKS

First of all, safety must be in the "SAFE" position, and both barrels must be fired.(Figure1)

1. Remove the lock plate thumb screw. (Figure 25)
2. Push the lock thumb screw and take the right plate out. (Figure 26)
3. Push the left plate from inside using the lock plate thumb screw to take the left plate out (Figure 27)

Your Side Locks are now taken out. Now your shotgun will not fire, you can clean the mechanism or put the side lock plates away for safety.

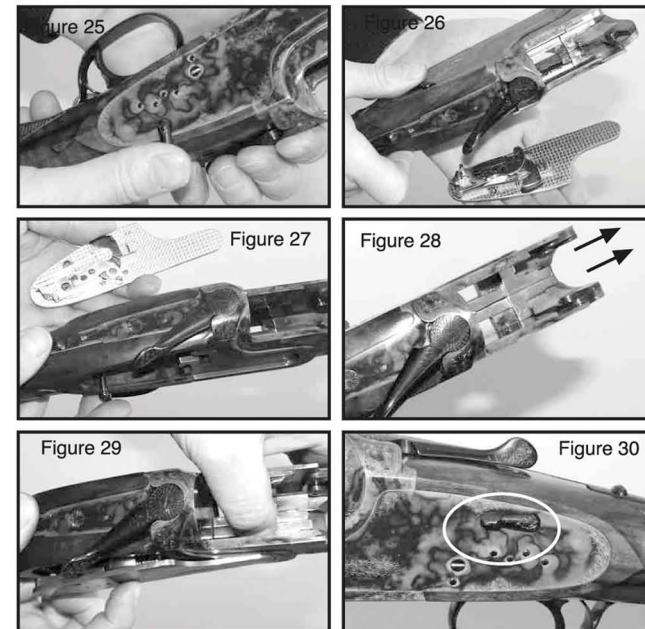
### ASSEMBLY THE SIDELOCKS

First of all, safety must be in the "SAFE" position. (Figure 1)

1. Before placing the first plate, you must pull the Cocking Rod of the plate (Figure 28) you want to assemble, and then you should place the plate in the right position. (Figure 29)
2. Same process should be repeated with the other side lock.
3. After both Sidelocks are placed on the stock, you should screw the lock plate thumb screw till it is in the correct position (Figure 30).

Now your shotgun is ready to fire!

**WARNING!** You must not fire if you have not assured that the side lock plates are not placed correctly and the lock plate thumb screw is screwed tightly.



{ 12 }

## CLEANING AND MAINTENANCE

### **ENSURE THAT YOUR FIREARM IS UNLOADED BEFORE BEGINNING TO CLEAN IT.**

At the end of a day of shooting/hunting, clean and lubricate the shotgun.

Cleaning procedure:

- Disassemble the shotgun (See paragraph "Disassembly").
- Clean the bores with care by passing a cleaning rod with a cotton patch coated with a high-quality gun oil to remove combustion residues. Also include the chambers in your cleaning operation.
- Run a clean dry patch through the bores to remove oil residues.
- Lightly oil the inside of the barrels with a clean cotton patch coated in a high-quality gun oil.
- Clean with care the external surfaces of the shotgun to remove any trace of dirt, sweat and fingerprints.

Always follow the instructions provided with your gun cleaner and gun lubricant.

Whenever your firearm has been exposed to sand, dust, extreme humidity, water or other adverse conditions, it must be cleaned and lubricated.

If your firearm will be used in a cold climate, be sure to use an oil of an appropriate weight so that it will not congeal in cold temperatures.

**NEVER MANIPULATE, ADJUST OR CHANGE ANY OF THE INTERNAL COMPONENTS, OF YOUR FIREARM.**

**ANY MAINTENANCE, ADJUSTMENT OR SERVICE NOT SPECIFIED IN THIS MANUAL MAY AFFECT THE SAFETY AND RELIABILITY OF YOUR FIREARM AND MUST BE PERFORMED BY A QUALIFIED GUN-SMITH USING GENUINE WEBLEY & SCOTT. IF YOU DO OTHERWISE, IMPROPER FUNCTIONING OF YOUR FIREARM MAY OCCUR AND SERIOUS INJURY OR DEATH MAY RESULT.**

When storing, do not encase the shotgun in anything that will attract or hold moisture, for example, leather or heavy cloth. Also, do not store shotguns with a plug inserted in the barrel for this can be a contributing factor to moisture accumulation. If the shotgun is to be stored for an extended period, the bore, chamber and internal surfaces should be oiled with a high-quality lubricating oil or preservative intended for firearms.

The external parts; receiver, bolt and barrel should be coated with an anti-rust oil.