



ROSSI®

INSTRUCTION MANUAL

Rossi® Bolt Action Rimfire Rifle



GENERAL SAFETY, OPERATING INSTRUCTIONS AND LIMITED WARRANTY

READ CAREFULLY BEFORE USING YOUR FIREARM

Important: Keep this manual with your firearm.

The information contained in this manual is useful, both for beginners and experienced shooters. In addition to important information about the function, cleaning and care of the firearm, this manual contains instructions that may be very helpful in shooting safely.

The most important rule of safe firearm handling is always keep the muzzle pointed in a safe direction!

TO OUR CUSTOMERS

Congratulations on the purchase of your new Rossi firearm. Like any precision instrument, if properly cared for, your Rossi should give you a lifetime of shooting enjoyment. Please take the time to read and understand the warnings and instructions contained in this owner's manual. This manual should be kept with your firearm. Upon change of ownership, transfer this manual with the firearm.

⚠ WARNING

Never allow a minor to shoot without adult supervision. Never leave a firearm in the possession of a minor. When shooting with a child, make sure to remain close and safely supervise all activities. Always make sure to store firearms and ammunition separately.

NOTICE

It is recommended that you record the model number, serial number and date of purchase of your Rossi firearm for future reference. Be sure to retain your store receipt and any other documentation that came with your Rossi.

Model Number	
Serial Number	
Date of Purchase	

TABLE OF CONTENTS

6	Firearm Safety
8	Technical Specifications
9	Firearm Safety Systems
11	Get to Know Your Firearm
12	Firearm Storage and Gun Locks
14	Ammunition
15	Manual Safety
17	Adjusting Sights
18	Operating Instructions
21	Unloading Your Firearm
22	Fail to Fire
22	Disassembly
23	Assembly
23	Care and Maintenance
26	Exploded View Parts List
29	Rossi Service Policy

WARNING

The safety warnings in this booklet are important. By understanding the dangers inherent in the use of any firearm, and by taking the precautions described herein, you can safely enjoy your Rossi® firearm. Failure to follow any of these warnings may result in serious injury to you or others, as well as severe damage to the firearm or other property.

ROSSI

ALWAYS KEEP THE MUZZLE POINTED IN A SAFE DIRECTION
AND FINGER OFF THE TRIGGER.




Intentionally Left Blank

ALWAYS KEEP THE MUZZLE POINTED IN A SAFE DIRECTION
AND FINGER OFF THE TRIGGER.

NOTES

Blank area for notes, consisting of seven horizontal grey bars.

SIGNAL WORDS AS DEFINED BY ANSI Z535.6 AND Z535.4 STANDARDS.

 DANGER	DANGER indicates a hazardous situation which, if not avoided, will result in death or serious injury.
 WARNING	WARNING indicates a hazardous situation which, if not avoided, could result in death or serious injury.
 CAUTION	CAUTION indicates a hazardous situation which, if not avoided, could result in minor or moderate injury.
NOTICE	NOTICE is used to address practices not related to physical injury.

ROSSI

ALWAYS KEEP THE MUZZLE POINTED IN A SAFE DIRECTION
AND FINGER OFF THE TRIGGER.

FIREARM SAFETY

WARNING

When a firearm discharges, the bullet or shot can strike a person, resulting in death or serious bodily injury.

The three basic keys to safe handling of firearms:

1. **KEEP YOUR FINGER OFF THE TRIGGER UNTIL YOU ARE READY TO FIRE.** If you maintain good trigger discipline, it is extremely unlikely the firearm will fire.
2. **KEEP THE MUZZLE POINTED IN A SAFE DIRECTION.** Even if the firearm discharges, if the muzzle is pointed in a safe direction, no one will be injured.
3. **NEVER TRUST ANY SAFETY MECHANISM.** If you adopt the attitude that you will not trust any safety mechanism, you will be vigilant about keeping your finger off the trigger and keeping the muzzle pointed in a safe direction.

WARNING

KNOW YOUR TARGET. Never fire at targets at close range. Ricochets can and do cause death or serious bodily injury. What constitutes “close range” depends on many factors including target material, bullet caliber and angle of impact.

KNOW WHAT IS BEHIND YOUR TARGET. Unless you are shooting into a bullet trap designed to capture the type of ammunition you are firing, projectiles may pass through the target and strike anyone or anything beyond. Bullets can travel miles.

ALWAYS WEAR HEARING PROTECTION. Firearms are loud. The sound they generate is greater indoors. Repeated exposure to loud noises can cause deafness. Hearing protection is rated by decibel reduction. Look for “dB” reduction of 30 or more when purchasing ear protection. Modern ear protection can allow normal hearing until the sound from the discharge reaches the ear. Layering hearing protection, for example wearing 30db rated foam plugs along with 20db rated ear muffs, significant protection can be achieved.

ALWAYS WEAR EYE PROTECTION. In normal operation, firearms emit hot high-velocity gases, particles and metal. These materials flying into your eye can cause blindness. Protect your vision with proper eye protection. Any eye protection may be better than none, but look for ANSI Z87.1 certified eyewear for the best protection.

NEVER HANDLE FIREARMS WHILE UNDER THE INFLUENCE OF DRUGS OR ALCOHOL. Firearms are dangerous. Handling firearms while impaired by drugs or alcohol is foolhardy and may result in serious injury or death. This warning includes prescription drugs that contain a warning about using machinery or driving while taking the medication.

MODIFIED FIREARMS ARE DANGEROUS, AND USE CAN RESULT IN SERIOUS INJURY OR DEATH. “Trigger jobs,” polishing original components or installing aftermarket parts can cause a firearm to function in ways different than intended. Some such work may also be illegal.

DAMAGED FIREARMS ARE DANGEROUS, AND USE CAN RESULT IN SERIOUS INJURY OR DEATH. Repairs should always be made by a qualified gunsmith or by a factory-authorized repair site. Work done by those unfamiliar with the design can cause a firearm to function in ways different than intended.

NEVER ATTEMPT TO DISASSEMBLE OR CLEAN A LOADED FIREARM. DOING SO CAN RESULT IN SERIOUS BODILY INJURY OR DEATH. How often have we heard “But it went off while I was cleaning it!” or, “I did not know it was loaded!” or, “It was jammed, and I tried to take it apart!”?

IF A FIREARM GOES OFF, THERE WAS A ROUND OF AMMUNITION IN THE CHAMBER. Period. “Clear” (or empty) the firearm of all ammunition before disassembling or cleaning.

As owner of your new Rossi® firearm, you are responsible for (1) keeping your finger off the trigger, (2) pointing the muzzle in a safe direction, (3) remove ammunition source from firearm and (4) looking and feeling in the chamber to confirm the firearm is empty. An empty firearm cannot fire.

ROSSI

ALWAYS KEEP THE MUZZLE POINTED IN A SAFE DIRECTION
AND FINGER OFF THE TRIGGER.

TECHNICAL SPECIFICATIONS

MODEL	RB22	RB22M	RB17
SYSTEM	Bolt Action.		
CALIBER	.22 Long Rifle.	.22 WMR.	.17 HMR.
BARREL	18" Length, 1:16" RH Twist.	21" Length, 1:16" RH Twist.	21" Length, 1:9" RH Twist.
MAGAZINE	10 rounds detachable.	5 rounds detachable.	
STOCK	Black synthetic Monte Carlo style with textured grip and forend.		
SIGHTS	<p>Front: fiber optic with removable steel hood.</p> <p>Rear: fiber optic adjustable for elevation and windage.</p>	None (Weaver-style Scope Mounts Included).	
LENGTH	35.5"	38.5"	38.5"
WEIGHT (UNLOADED)	4 lbs.	4.3 lbs.	4.3 lbs.

FIREARM SAFETY SYSTEMS

Firearms safety is supported by a system. With your firearm the system is made up of the following:

1. **You!** Your involvement in safety cannot be overemphasized. No safety component can keep your finger off the trigger and the muzzle pointed in a safe direction. Also, you are the key to never trusting any of the mechanical parts of the safety system.

2. **Manual Safety –**

The safety button is located at the front of the trigger guard (fig. 1 & 2) and must be manually pressed to the desired position. The manual safety cannot be engaged unless the striker is cocked.



Manual Safety ON

3. **Trigger Guard –** This is a physical obstruction that helps prevent unintended pressing of the trigger or trigger safety. Do not modify the trigger guard.



Manual Safety OFF

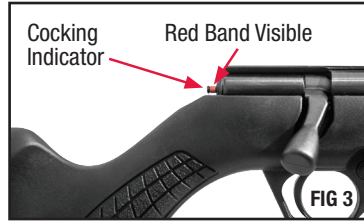
4. **This Manual –** Rossi intends for you to use this manual to learn about your firearm and to help you use your firearm safely. If you use the manual, you will be a long way toward being a knowledgeable and safe firearms owner.

ROSSI

ALWAYS KEEP THE MUZZLE POINTED IN A SAFE DIRECTION
AND FINGER OFF THE TRIGGER.

5. **Cocked Striker Indicator –**

When the striker is cocked, a red band will be visible (fig. 3). This shows that the striker is cocked. This does not serve as a safety, you must visually and physically confirm the status of the rifle and whether it is loaded or not. When the rifle is fired the cocking indicator moves forward inside the bolt and the red band is no longer visible (fig. 4).



Cocked Position

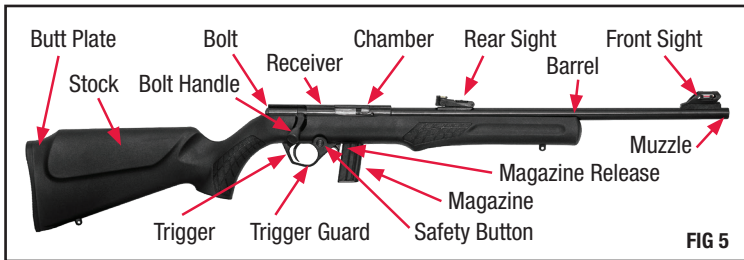


Fired Position

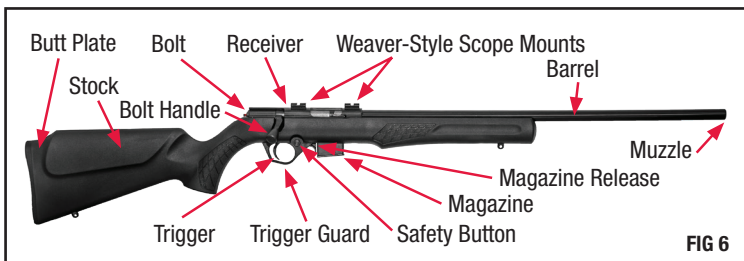
6. **Online Resources –** RossiUSA.com hosts a library of videos concerning safety and related issues. This library is being added to and revised. Please visit the site and take advantage of what is available there as part of your education regarding using your Rossi firearm in a safe fashion.

GET TO KNOW YOUR FIREARM

RB22



RB22M & RB17



Trigger – The rifle will fire when the safety button is disengaged (the red band will be visible) and the trigger is pulled. The trigger pull has been set at the factory in accordance with international safety standards. Any adjustment in the parts of the safety mechanism, trigger assembly or disconnecter should be made by the factory, or by a qualified gunsmith, in order to ensure the safety of the rifle. Never put your finger on the trigger if you are not ready to fire at the target.

Receiver – The RB22 receiver is milled to accept standard 3/8" scope mounts, and as the rear sight leaf may be tilted forward, it is possible to install optics with objective diameters up to 32mm without removing the rear sight on RB22 rifles. The RB22M and RB17 receivers are tapped for Weaver-style mounts (included).

Barrel – To insure accuracy and durability, the RB Series barrel is free floating. The RB22M and RB22 barrels have a 1:16" RH twist. The RB17 has a 1:9" RH twist.

Bolt Assembly – The bolt assembly has a cocked striker indicator (see page 10) and must be manually cocked every time the rifle is going to be fired.

ROSSI

ALWAYS KEEP THE MUZZLE POINTED IN A SAFE DIRECTION
AND FINGER OFF THE TRIGGER.

Magazine – The RB22 has a single stack type, 10 round capacity. The RB22M and RB17 have a single stack type, 5 round capacity.

Sights (RB22 only) – The rear sight is adjustable for both elevation and windage and its leaf may be tilted forward to allow the installation of scopes with large diameter objectives (up to 32 mm). The rear sight is assembled to the rifle with two 6-48 screws. The front sight is fixed and has a removable steel hood.

FIREARMS STORAGE AND GUN LOCKS

How you secure your firearms is a personal choice based on the unique circumstances in your home, business or vehicle and the laws of the state where your firearm is located. Any choice you make about securing your firearms will present advantages and disadvantages. It is up to you to weigh those advantages and disadvantages and choose which security method is best for you and those around you.

WARNING – LOCKING DEVICES

- Always keep your firearm pointed in a safe direction, including when you are installing or removing your locking device.
- Always verify that your firearm is completely unloaded (see page 21) before installing your locking device.
- Do not install locking devices in the trigger guard; always keep your fingers and locking devices outside the trigger guard during device installation and removal.
- Store firearms, ammunition and keys separately and securely, away from children and careless adults; do not store your firearms with the keys in the locking device.
- Do not attempt to work the action on your firearm with the locking device in place; this may damage your firearm.
- While locking devices are an important aid to security measures, they are not a substitute for safe firearm handling and proper storage. Remember that any mechanical device can be bypassed with enough time, knowledge, determination and equipment.

LOCKING DEVICES MUST BE USED SAFELY AND RESPONSIBLY

It is important to use the locking device on your Rossi firearm!

Keep the muzzle pointed in a safe direction and your fingers outside the trigger guard at all times during installation of the locking device!

To install the Factory-Supplied Locking Device:

1. Remove the magazine from your rifle.
2. Open the action completely and verify that the firearm is completely unloaded and contains no cartridges or cartridge cases! Keep the action open during installation of the locking device.



3. Insert the cable directly in your rifle as shown in figure 7.
4. To lock: With the key turned to the farthest clockwise position, insert the loose end of the cable into the lock. Turn the key counterclockwise and remove the key.
5. Once the lock is securely closed, pull firmly on the lock to test the connection and be sure it is locked. Do not leave or store your firearm with the key in the lock! Store your locked, unloaded firearm and the key in secure, separate locations, away from ammunition, children and unauthorized adults.

⚠ WARNING	
	<p>Never leave your keys in the lock when the lock is installed on the firearm.</p>

ROSSI

ALWAYS KEEP THE MUZZLE POINTED IN A SAFE DIRECTION
AND FINGER OFF THE TRIGGER.

⚠ WARNING

Failure to secure a firearm may result in injury or death. Properly securing a firearm means storing your firearm unloaded, decocked and securely locked, with all ammunition in a separate location.

AMMUNITION**⚠ WARNING**

Using the wrong ammunition in your firearm can result in serious bodily injury and damage to your firearm. Make certain the ammunition you load in the chamber is the same caliber as is marked on the barrel.

⚠ WARNING – AMMUNITION AND INDUSTRY STANDARDS

Use only clean, dry factory-loaded ammunition. Old, damaged, wet or oily ammunition may fire at pressures higher than industry standard, causing injury to you and bystanders or damage to your firearm.

Do not use reloaded ammunition in your firearm. Its firing pressures are unknown and may well exceed industry standard, causing injury to you and bystanders or damage to your firearm.

Odd sounds are signs of trouble. If a round “does not sound right” when it goes off, stop firing right away. A bullet may be stuck in the barrel. Firing the firearm in this condition may cause pressures higher than industry standard, causing injury to you and bystanders or damage to your firearm.

If you hear any odd sounds when firing immediately stop firing. If there is any reason to suspect that the barrel is obstructed, immediately unload the firearm and clear the chamber in accordance with instructions located on page 21 in this manual. It is not sufficient to merely look in the chamber. The bullet may be lodged in the barrel where it cannot easily be seen. Do not fire the firearm again, and take to a qualified gunsmith or contact Rossi USA Service department at 800-327-3776.

⚠ WARNING

If the bore is obstructed, DO NOT attempt to shoot it out by using another shot shell or cartridge or by blowing it out with a blank. Such techniques can generate excessive pressure, damage the firearm and cause serious injury.

⚠ WARNING – LEAD AND HAZARDOUS CHEMICAL EXPOSURE

Discharging firearms in poorly ventilated areas, handling, and /or cleaning firearms or handling ammunition can expose you to chemicals including lead which is known to the state of California to cause cancer and birth defects or other reproductive harm. For more information, go to www.P65Warnings.ca.gov

Have adequate ventilation at all times. Wash hands thoroughly after exposure with soap and water.

The use of reloaded, “remanufactured”, hand-loaded, or other nonstandard ammunition voids all warranties. Improperly loaded ammunition voids all warranties. Improperly loaded ammunition can be extremely dangerous. Severe damage to the firearm and serious injury to the shooter or to others may result. Always use ammunition that complies with the industry performance standards established by the Sporting Arms and Ammunition Manufacturers Institute, Inc., of the United States, (SAAMI).

MANUAL SAFETY

This firearm is manufactured with a manual safety – USE IT! (fig. 8)



NOTICE

Your firearm is equipped with the manual safety shown above. A manual safety is no substitute for safe, smart firearm handling.

ROSSI

ALWAYS KEEP THE MUZZLE POINTED IN A SAFE DIRECTION
AND FINGER OFF THE TRIGGER.

The manual safety button is located at the front of the trigger guard. To engage the manual safety, ensure the striker is cocked and push the manual safety button from left to right so the **RED** band is not visible.

To disengage the manual safety, push the Manual Safety Button from right to left. In the disengaged position a **RED** band will be visible indicating that the rifle is ready to fire.

NOTICE

The Manual Safety can only be engaged when the striker is cocked.

⚠ WARNING

Do not touch the trigger while the safety button is being engaged. Never keep pressure on the trigger while closing the bolt, even if the safety catch is engaged.

Trigger – The rifle will fire when the safety button is disengaged (the red band will be visible) and the trigger is pulled. The trigger pull has been set at the factory, in accordance with international safety standards. Any adjustment in the parts of the safety mechanism, trigger assembly or disconnecter, should be made by the factory, or by a qualified gunsmith, in order to ensure the safety of the rifle. Never put your finger on the trigger if you are not ready to fire at the target.

⚠ WARNING

The danger of personal injury or death associated with cartridges, fired or unfired, becoming stuck in a firearm can be avoided by using new, clean, factory loaded ammunition and never forcing ammunition into a chamber. If you have to force ammunition into the chamber, something is wrong! Stop! And take the rifle to a qualified gunsmith.

If a cartridge is stuck in the barrel and you are unsure if it fired or not: Keep the muzzle pointed in a safe direction. Treat it as a live round and handle in accordance with “WHAT TO DO IF FIREARM FAILS TO FIRE” ON PAGE 22.

⚠ WARNING – ANY GUN MAY FIRE IF DROPPED

If dropped or struck, the firearm may fire.

⚠ WARNING

If dropped or struck the firearm should be inspected by a trained armorer/gunsmith for a complete function check. After the firearm was dropped or struck, mechanisms, including automatic safeties, may not function as intended resulting in accidental death or serious injury.

ADJUSTING SIGHTS (ON EQUIPPED MODELS)

Check the firearm to ensure it is unloaded and the muzzle is pointed in a safe direction.

Adjustment of the Rear Micrometric Sight:

The rifle is shipped with the rear sight adjusted to 25 yards when using standard velocity ammunition. If it is desired or necessary to change this adjustment, proceed as follows.

Elevation Adjustment:

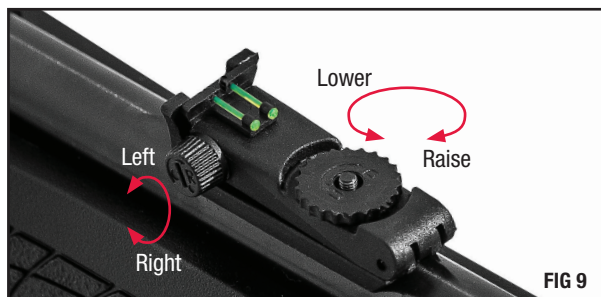
To raise the point of impact, raise the rear sight by turning the top adjustment screw clockwise. To lower the point of impact, lower the rear sight by turning the top screw counter-clockwise (fig. 9).

Windage Adjustment:

To move the point of impact to the right, turn the side adjustment screw clockwise. To shift the point of impact to the left, turn the side screw counter-clockwise (fig. 9).

ROSSI

ALWAYS KEEP THE MUZZLE POINTED IN A SAFE DIRECTION
AND FINGER OFF THE TRIGGER.



OPERATING INSTRUCTIONS

⚠ WARNING

Always be sure the firearm is pointed at the target and away from other people, buildings and vehicles before firing. Do not fire into water. When finished shooting, immediately set the manual safety to the safe position.

Bolt Installation:

Ensure the magazine is removed and check the chamber area to ensure that no ammunition is present.

Set the safety to "OFF" (RED band visible) and orient the bolt so that the handle is pointing up and to the right.

Align the bolt with the receiver and gently push it forward until the bolt stops.

Depress the trigger fully and continue pushing forward. The bolt handle will engage the bolt handle slot in the receiver. Push past the sear engagement and release the trigger. Set the safety to "ON" position. The bolt can now be closed by pushing the bolt fully forward and turning the cocking handle down.

Magazine Installation:

First become familiar with the rifle by installing and removing an unloaded magazine and by learning to keep the bolt in the open position.

Ensure the Manual Safety button is pressed fully to the right, when engaged the **RED** band will not be visible, visually and physically check the chamber and receiver area to ensure the firearm is clear (unloaded).

⚠ WARNING

Removal of the magazine will not unload the firearm. Removing the magazine will not remove a cartridge from the chamber. A cartridge in the firearm's chamber can still be fired, even after the firearm's magazine has been removed. After removing the magazine **ALWAYS** visually and physically inspect the chamber and receiver to ensure the firearm is completely unloaded.

⚠ WARNING

Rifle does not have a magazine disconnect "safety". They are capable of firing with the magazine removed.

Magazine Loading

Load the magazine by inserting one cartridge at a time, pressing against the plastic follower, spring and rearwards until the cartridge is fixed between the lips of the magazine. Repeat the operation until the magazine is full or the desired number of cartridges have been loaded (fig. 10).

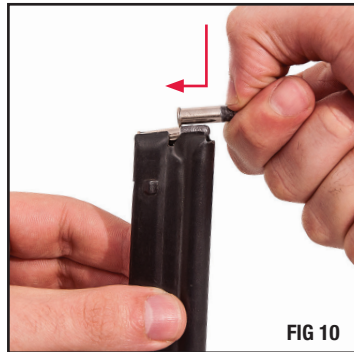


FIG 10

ROSSI

ALWAYS KEEP THE MUZZLE POINTED IN A SAFE DIRECTION
AND FINGER OFF THE TRIGGER.

Engage Safety

Point the rifle in a safe direction. Lift the bolt handle and pull the bolt to the rear. The striker will be cocked and the manual safety can now be engaged. Engage the safety by pushing button from left to right. The **RED** band will not be visible. (fig. 11) Ensure there is not a loaded magazine or ammunition in the firearms and push the bolt forward and the bolt handle down to lock the bolt in place.



Rifle Loading

Insert a loaded magazine into the rifle. Lift the bolt handle, pull the bolt to the rear, push the bolt forward and push the bolt handle downward into its locked position. The rifle will be ready to fire, but the safety will still be engaged.

⚠ WARNING

The rifle is now loaded.

⚠ WARNING

The rifle is ready to fire.

1. Sight your target. Disengage the manual safety by pushing the button from right to left. The **RED** band will now be visible. Pull the trigger and fire.
2. As the rifle is a bolt action rifle, it is mandatory to operate the bolt after each shot in order to extract the fired case, recock the striker, and feed a new round.

3. To keep the bolt in an open position without the magazine, lift the bolt handle and pull the bolt to the rear. The bolt will remain in its rearward position until pushed forward.

With the bolt in this position, if a magazine is in the rifle, pressing the magazine catch, the magazine will drop freely from the receiver. (fig. 12).



FIG 12

4. After inserting a new loaded magazine into the rifle (don't forget to first engage the manual safety) if the bolt is in its open position lever, to chamber a cartridge, push the bolt forward by the handle and rotate the bolt handle downward until it is locked into place.

NOTICE

The rifle is now loaded, but the safety catch will be engaged.

5. To close the bolt without loading the rifle, proceed as described above but keep the magazine removed from the rifle.

UNLOADING YOUR FIREARM

To interrupt shooting and unload the rifle, engage the Manual Safety by pressing the safety button from left to right (RED band no longer visible). Remove the magazine, lift up on the bolt handle and pull the bolt to its most rearward position. This will extract and eject the cartridge in the chamber.

As a safety procedure, every time shooting is interrupted or the rifle is unloaded, we strongly recommend keeping the bolt in the open position.

ROSSI

ALWAYS KEEP THE MUZZLE POINTED IN A SAFE DIRECTION
AND FINGER OFF THE TRIGGER.

⚠ WARNING

Always make sure the breech bolt will open in a safe direction and that the unfired cartridges will fall on a safe place. Cartridges ejecting from the chamber can cause injury. **ALWAYS INSPECT THE BARREL AND BORE VISUALLY TO MAKE SURE THAT THE CHAMBER IS EMPTY.**

WHAT TO DO IF FIREARM FAILS TO FIRE

1. Misfires – If you squeeze the trigger and the cartridge does not fire, remain in the shooting position and wait 30 seconds. Then, cycle the bolt. This will eject the misfired cartridge from the gun and load another cartridge if magazine is present.
2. Underpowered cartridge – An underpowered cartridge is unusual if the ammunition is fresh, clean, and factory loaded. However, if you hear an unusual sound or low report, you should stop immediately, wait a full 30 seconds and check, visually, both the chamber and bore to make sure there is no obstruction.

DISASSEMBLY

ALWAYS WEAR EYE PROTECTION. In normal operation, firearms emit hot high-velocity gases, particles and metal. These materials flying into your eye can cause blindness. Protect your vision with proper eye protection. Any eye protection may be better than none, but look for ANSI Z87.1 certified eyewear for the best protection.

To remove magazine from rifle, press the magazine catch forward (in the direction of the barrel). The fingers of either hand can be used to press the magazine catch.

1. Remove magazine.
2. Pull the bolt to its most rearward position to extract and eject any cartridge that might be in the chamber. Check to ensure no ammunition remains in the chamber.
3. Move the safety to the fire position and depress the trigger. While holding the trigger, pull on the bolt handle to remove the bolt. Upon removing the bolt, reengage the safety button.

4. Using a No. 2 Phillips screwdriver remove the two screws located at the front and back of the trigger assembly and pull the metal parts away from the stock.
5. No other disassembling should be done by the shooter. If service is required, contact a qualified gunsmith.

ASSEMBLY

1. Reassemble the barreled action into the stock, insert the two take down screws and tighten them. **Do not over tighten.**
2. Set the safety to "OFF" (RED band visible) and orient the bolt so that the handle is pointing up and to the right.
3. Align the bolt with the receiver and gently push it forward until the bolt stops. Depress the trigger fully and continue pushing forward. The bolt handle will engage the bolt handle slot in the receiver. Push past the sear engagement and release the trigger.
4. Set the safety to "ON" position. The bolt can now be closed by pushing the bolt fully forward and turning the cocking handle down.
5. Check if the rifle is functioning properly.

CARE AND MAINTENANCE

⚠ WARNING

Before cleaning: (1) point the muzzle in a safe direction, (2) keep your finger off the trigger, (3) Manual Safety in "ON" position, (4) remove the magazine, (5) pull the bolt to its most backward position and lock the bolt in the open position, (6) visually and physically inspect the chamber and bore to ensure the firearm is free and clear and safe to perform cleaning.

Cleaning – When the rifle leaves the factory, its metal parts are protected by a coat of very adherent oil. This coating, especially inside of the barrel, must be removed before using the rifle. The oil on the outside surfaces should also be removed when the packing box is opened because the oil is very sticky and it easily retains dust and other solid impurities from the air.



Cleaning and Lubricating:

The Trigger Assembly, Bolt and Receiver – Clean with a brush and adequate solvent and dry with a clean cloth. In the receiver special attention should be given to the bolt sliding surfaces and to the feed ramp. The bolt and the receiver must be carefully cleaned and free of any solid residues. Solid residues in the bolt/receiver areas may prevent bolt from closing properly and misfire may result.

After cleaning, lubricate all parts with light gun oil taking care to avoid excess lubrication.

WARNING

Use only oil or lubricants designed to be used on firearms.

Barrel – Use a cleaning rod with a clean cloth patch or a brush suitable for your rifle's caliber moistened with solvent. Push the patch/brush through the barrel from the chamber end to the muzzle end. Repeat several times, using a new patch each time, until the patches do not show any residue.

When using a brush, use a brass cleaning brush suitable for the rifle's caliber, push through the barrel several times.

WARNING

After finishing the cleaning, make sure that there is no obstruction in the barrel. Never try to remove obstructions in the barrel by firing the rifle.

If the rifle is to be stored for a long time it should be cleaned, and both inside and outside surfaces should be lubricated.

PRECAUTIONS, AND CARE FOR YOUR RIFLE

When you store your rifle, make sure that the magazine and the chamber are empty. Keep the bolt closed and the striker decocked in order to relieve pressure on their springs.

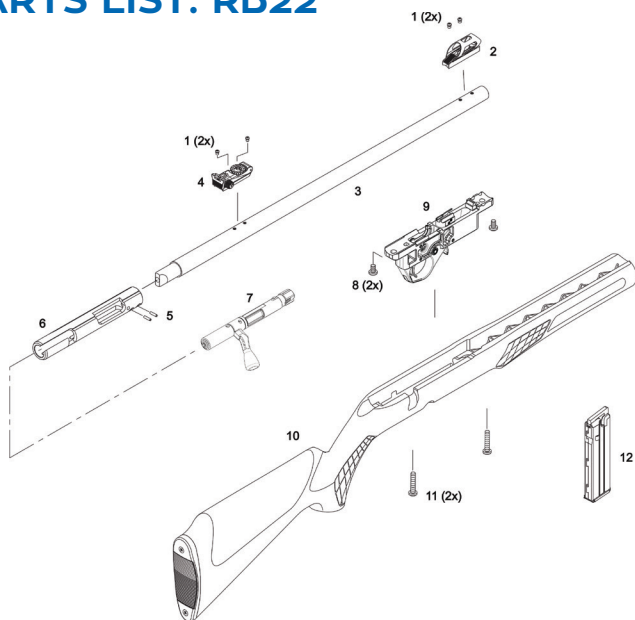
Handling leaves moisture prints that can cause metal parts to rust. Abrupt changes in the temperature cause condensation and moisture. Wipe the barrel and other metal parts with light oil after handling. The receiver and trigger housing will not rust as they are made of aluminum die castings and plastic injection moldings. However, their surface coating must be well cared for in order to avoid scratches.

Check your rifle periodically in order to detect any sign of rusting and then remove it before it causes permanent damage to the rifle's metal surface.

ROSSI

ALWAYS KEEP THE MUZZLE POINTED IN A SAFE DIRECTION
AND FINGER OFF THE TRIGGER.

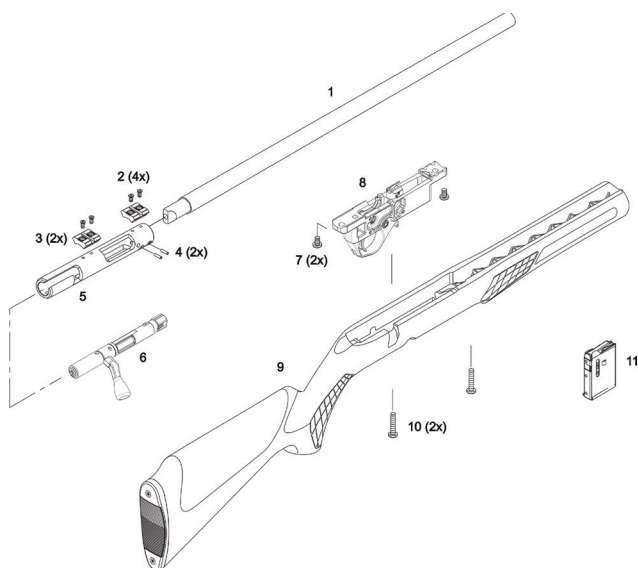
EXPLODED VIEW AND PARTS LIST: RB22



NO.	DESCRIPTION	CODE
1	Screw	10002077
2	Front Sight Assembly	10015611
3	Barrel, 18"	10017843
4	Rear Sight Assembly	10015610
5	Receiver Pin	10000222
6	Receiver	—
7	Bolt Assembly	10017196
8	Trigger Housing Screw	10006671
9	Trigger Housing	10007440
10	Stock	10017836
11	Screw, M5x25mm	10005352
12	Magazine Assembly	10008774

ALWAYS KEEP THE MUZZLE POINTED IN A SAFE DIRECTION
AND FINGER OFF THE TRIGGER.

EXPLODED VIEW AND PARTS LIST: RB17

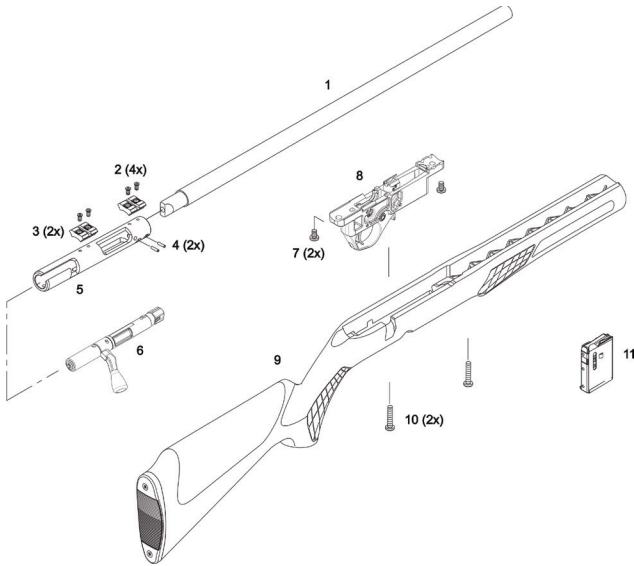


NO.	DESCRIPTION	CODE
1	Barrel, 21"	10017845
2	Scope Mount Screw	10009644
3	Scope Mount	10009645
4	Receiver Pin	10000222
5	Receiver	—
6	Bolt Assembly	10017198
7	Trigger Housing Screw	10006671
8	Trigger Housing	10007481
9	Stock	10017836
10	Take Down Screw	10006670
11	Magazine Assembly	10000232

ROSSI

ALWAYS KEEP THE MUZZLE POINTED IN A SAFE DIRECTION
AND FINGER OFF THE TRIGGER.

EXPLODED VIEW AND PARTS LIST: RB22M



NO.	DESCRIPTION	CODE
1	Barrel, 21"	10017844
2	Scope Mount Screw	10009644
3	Scope Mount	10009645
4	Receiver Pin	10000222
5	Receiver	—
6	Bolt Assembly	10017198
7	Trigger Housing Screw	10006671
8	Trigger Housing	10007481
9	Stock	10017836
10	Take Down Screw	10006670
11	Magazine Assembly	10000232

ALWAYS KEEP THE MUZZLE POINTED IN A SAFE DIRECTION
AND FINGER OFF THE TRIGGER.

PARTS

All firearms require periodic maintenance and inspection which may reveal a need for adjustment or repair. Have your firearm checked by a qualified gunsmith, even if it seems to be working well, since breakage, improper functioning, undue wear, or corrosion of some components may not be apparent from external examination. If you notice ANY mechanical malfunction, do NOT continue to use the firearm. UNLOAD the firearm and take it to a qualified gunsmith immediately.

Our Service Department maintains a full complement of replacement parts for our firearms of current manufacture. Even though most gunsmiths have the knowledge, training and ability to make the necessary repairs to your firearm, the skill and workmanship of any particular gunsmith is totally beyond our control. Should your firearm ever require service, we strongly recommend that you return it to BrazTech. Follow the instructions outlined on the warranty card included with your firearm. Remember, unauthorized adjustments or parts replacement can void your warranty. It is the responsibility of the purchaser to be absolutely certain that any parts ordered from BrazTech are of the correct type and are properly fitted and installed by a competent person. THIS FIREARM IS A PRECISION MECHANISM AND THE IMPROPER FITTING OF PARTS OR IMPROPER MECHANICAL ADJUSTMENT MAY RESULT IN A DANGEROUS MALFUNCTION, DAMAGE TO THE FIREARM, AND POSSIBLE SERIOUS INJURY TO THE SHOOTER OR TO OTHERS. Therefore, the purchaser and/or installer of parts must accept full responsibility for the correct adjustment of and function of the firearm after such installation has been made or attempted.

ROSSI LONG GUN REPAIR POLICY

What does this policy cover?

This policy covers any service and repair needed by any Rossi long guns imported by Braztech International, L.C. or manufactured in the United States by Braztech International, L.C.

How long does coverage last?

This policy is in effect for one (1) year from the date of original purchase.

What will we do?

BrazTech will service and/or repair all covered products free of charge.

ROSSI

ALWAYS KEEP THE MUZZLE POINTED IN A SAFE DIRECTION
AND FINGER OFF THE TRIGGER.

What does this policy not cover?

This policy does not cover stock and forend, sights, accessories, or cosmetic defects, or damage caused by customer abuse at any time. Modifications to the firearm may void this repair policy. This express limited repair policy is the only warranty on this product. This product is sold "as is" and has no implied warranties of merchantability or fitness for a particular purpose. There are no warranties which extend beyond the description on the face hereof.

How do I get service?

To simplify repair and service, Rossi products imported by Braztech International are serviced and repaired by Braztech. Questions regarding the products of either company can be directed to Braztech in Bainbridge, Georgia at 800-948-8029, or in writing to: **C/O Consumer Affairs Department, 100 Taurus Way Bainbridge, Ga 39817**

In order to obtain service or repair, describe the problem in writing and send the gun to Braztech at the above address, insured and pre-paid with the written description of the problem enclosed and the receipt indicating the initial date of purchase.

FIREARMS MUST BE SHIPPED UNLOADED. Double check the chamber of your firearm before shipping. If firearms are sent to BrazTech in a loaded condition, we are required by law to notify the Federal authorities. **DO NOT INCLUDE AMMUNITION** with your firearm. This is a violation of federal law.

DO NOT include telescopic sights; custom grips, holsters, ammunition or other accessories with any firearm shipped to us.

When shipping Matched Pair or Matched Set models for repair, all barrels must be included with the firearm. Be sure to repackage the additional barrels in their shipping tubes to prevent damage to the finish and to the stocks during shipment. BrazTech is not responsible for shipment damage.

Our Customer Service Department will contact you by mail advising you when to expect your gun back. We will ship guns serviced because of defect in materials or workmanship insured and pre-paid. There will, of course, be no charge for parts or labor if the repair work performed is covered by this repair policy.

How does state law apply?

This policy gives you specific legal rights and you may also have other rights which vary from state to state.

NOTES

A series of 12 horizontal grey bars, stacked vertically, intended for taking notes. Each bar is a solid light grey color and spans most of the width of the page.

ROSSI[®]

ALWAYS KEEP THE MUZZLE POINTED IN A SAFE DIRECTION
AND FINGER OFF THE TRIGGER.

A WORD TO THE WISE

Most gun accidents happen because the shooter carelessly violates the single most important rule of safe gun handling: **Always keep the muzzle pointed in a safe direction!**

Important: **Do not discard.** Keep this manual with your firearm. Upon change of ownership, transfer this manual with the firearm.



WWW.ROSSIUSA.COM

© Copyright 2017 Braztech International, L.C.
Rossi is a registered mark of Amadeo Rossi, S.A.

The information in this manual is provided as guidelines and directions for the safe use of your firearm. Braztech and/or Rossi cannot be held responsible for the misuse, illegal or negligent use of our products. We strongly encourage all firearms owners to observe all firearms safety rules.

WARNING: This product contains chemicals known to the State of California to cause cancer, or birth defects or other reproductive harm.

Keep this and all firearms and ammunition away from unsupervised children. Firearms safety is everyone's responsibility.

Read Carefully Before Using Your Firearm

045-0008-00

020.0104 Rev. 01