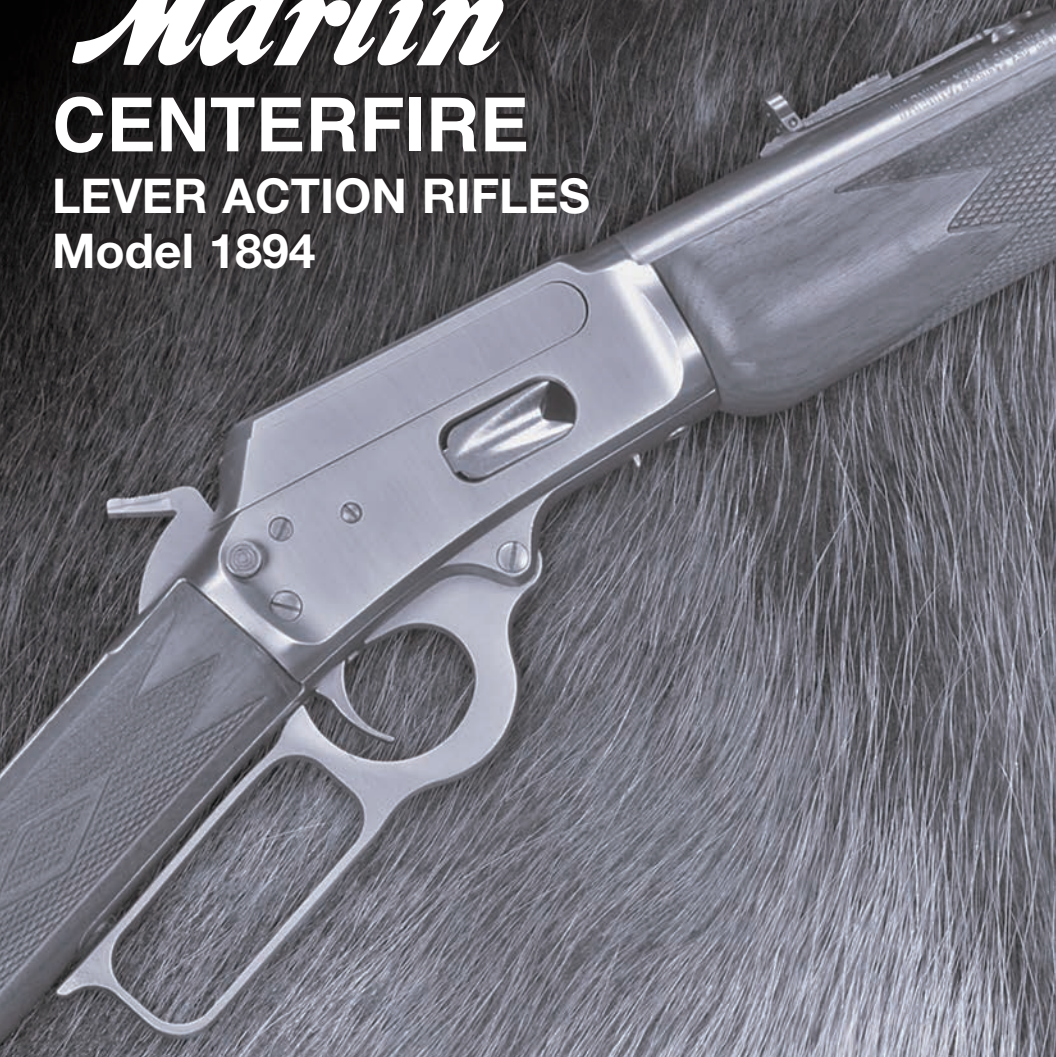


Owner's Manual

Marlin[®] CENTERFIRE LEVER ACTION RIFLES Model 1894



IMPORTANT

This manual contains operating, care and maintenance instructions. To assure safe operation, any user of this firearm must read this manual carefully. Failure to follow the instructions and warnings in this manual can cause accidents resulting in injury or death. This manual should always accompany this firearm, and be transferred with it upon change of ownership.

The warranty card bound into this manual must be filled out and mailed within 10 days of purchase.
WARNING: KEEP THIS FIREARM OUT OF THE REACH OF CHILDREN, UNAUTHORIZED INDIVIDUALS, AND OTHERS UNFAMILIAR WITH THE SAFE HANDLING OF FIREARMS.

COMES WITH MARLIN'S 5-YEAR WARRANTY

How Your Rifle is Made

Your rifle has been made to Marlin's strictest standards of safety and reliability. It has been proof tested with a high pressure load, function fired, and checked for accuracy at the factory. Built with tradition and engineered to last, your rifle is the product of over 135 years of Marlin technology.

Before You Use This Firearm

It is very important that you read and understand this manual before using your new rifle. Warnings should be read and heeded carefully. Also follow the safety rules listed in "Marlin's Guide to Gun Safety", printed on this page.

- **WARNING:** Marlin firearms are designed and manufactured to handle standard factory-loaded ammunition which conforms to SAAMI (Sporting Arms and Ammunition Manufacturers' Institute Inc.) standards with dependability and safety. Due to the many bullet and load options available, the element of judgement involved, the skill required, and the fact that serious injuries have resulted from dangerous handloads, Marlin does not make any recommendations with regard to handloaded ammunition.
- **WARNING:** Your rifle should not be assembled, used or disassembled without fully reading and understanding the instructions in this manual.
- **WARNING:** It is a violation of federal law to alter or deface the serial number of any firearm.

Marlin's Guide to Gun Safety

1. Read and understand the owner's manual before using a firearm.
2. If you are unfamiliar with firearms, attend a firearms safety class taught by a certified instructor.
3. Handle every firearm as if it were loaded and ready to fire.
4. Control the muzzle, and never point a firearm at anything you don't want to shoot.
5. Keep the safety on SAFE until you are ready to shoot.
6. Unless you are hunting, carry your firearm empty, with the action open.
7. Before shooting, be sure you have an adequate backstop. All ammunition is dangerous beyond your line of sight.
8. Avoid ricochets by never shooting at water or any hard, flat surface.
9. Do not run, climb, or jump over an obstacle with a loaded firearm.
10. Do not climb into or out of a tree or tree stand with a loaded firearm. Do not allow others to pass loaded firearms to you while in a tree stand.
11. Do not enter or ride in a motor vehicle with loaded firearms.
12. Do not lean a loaded firearm against anything.
13. Do not bump, drop or jar a loaded firearm.
14. Do not pull a firearm toward you by the muzzle.
15. Wear hearing protectors when shooting.
16. Wear impact-protective glasses when shooting, disassembling or cleaning firearms.
17. Avoid alcoholic beverages and drugs before and during shooting.
18. Use only ammunition of the correct gauge, caliber, size and bullet shape for your firearm.
19. Do not use damaged, dirty, modified, or improperly handloaded ammunition.
20. Keep the barrel and mechanism of the firearm free of obstructions.
21. Do not use a firearm that fails to function properly. Do not try to force a jammed action.
22. Be sure no one is in the path of ejecting shells or cartridges.
23. Do not interchange parts between firearms, and be sure disassembly and reassembly are correct and complete.
24. Before cleaning, be sure the chamber, action and magazine are completely unloaded.
25. Unload firearms before storing, transporting, or leaving unattended.
26. Store firearms and ammunition separately, locked and out of the reach of children.

Failure to follow these rules, or other instructions in this manual, can result in personal injury.

Ammunition Note

If your rifle is chambered for 44 Rem. Magnum, it is designed to handle 44 Rem. Magnum factory-loaded ammunition (except wad cutters and shot shells). It will also function with 44 Special cartridges that are within the length parameters shown below. (NOTE: Since 44 Special cartridges are shorter than 44 Rem. Magnums, their use can cause a lead buildup in the forward part of the chamber. Be sure to thoroughly clean the chamber with a wire brush after using 44 Specials.)

Minimum overall cartridge length — 1.535"

Maximum overall cartridge length — 1.610"

If your rifle is chambered for 357 Magnum, it is designed to handle 357 Magnum factory-loaded ammunition (except wad cutters and shot shells). It will also function with 38 Special cartridges that are within the length parameters shown below. (NOTE: Since 38 Special cartridges are shorter than 357 Magnums, their use can cause a lead buildup in the forward part of the chamber. Be sure to thoroughly clean the chamber with a wire brush after using 38 Specials.)

Minimum overall cartridge length — 1.400"

Maximum overall cartridge length — 1.590"

If your rifle is chambered for 38 Special, it is designed to handle 38 Special factory-loaded ammunition (except wad cutters and shot shells). It will function with 38 Special cartridges that are within the length parameters shown below.

Minimum overall cartridge length — 1.275"

Maximum overall cartridge length — 1.550"

Use of the Offset Hammer Spur (All models except the 1894 Cowboy Competition.)

•WARNING: Only use the offset hammer spur on the gun with which it was packed. It will not fasten securely on narrower ($\frac{1}{4}$ " Marlin or Glenfield hammers, or other hammers, and could cause a dangerous situation.

Because of its solid top, side ejecting receiver, your rifle is ideally suited for use with a scope. The receiver is drilled and tapped for scope mounting. However, once mounted, most scope and mount combinations do not allow sufficient clearance for your thumb between the eyepiece and hammer for safe operation. In order to operate the hammer safely, we recommend that you use the offset hammer spur packed with your rifle, when using a scope. A $\frac{1}{16}$ " hexagonal wrench for attaching the spur is also included.

For right hand use, position the offset hammer spur so that it protrudes from the right side of the hammer, slide the offset hammer spur as far forward on the hammer as it will go, and tighten the set screw. For left hand use, mount the offset hammer spur so that it protrudes from the left side of the hammer, and tighten the set screw. Be sure the set screw tightens into the small notch on either the right or left side of the hammer, and check regularly to be sure that it is tight.

•WARNING: Do not use the rifle with a scope unless the offset hammer spur is securely attached in the proper position. Make periodic checks to be sure the set screw securing the offset hammer spur to the hammer is tight.

Safety Features

Your rifle has a two-piece firing pin and a trigger block, both of which prevent firing until the lever is completely closed. It is also equipped with two manual safety devices, a hammer block safety and a half cock safety notch, which, when used properly, provide an added degree of safety.

- **WARNING:** Before loading your rifle, become familiar with the operation of the hammer block safety and the hammer positions (FULL FORWARD, HALF COCK and FULL COCK), by practicing with the rifle unloaded.
- **WARNING:** Never disassemble the safety. It has been correctly designed, fitted and tested and is not reversible. Any mechanical device can fail, however, so never rely on the safety to justify careless handling. Never use a firearm with a safety that does not function properly.

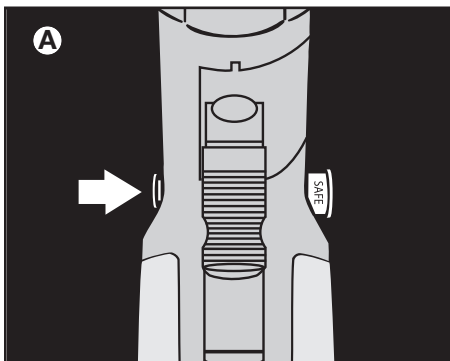
1. How to Operate the Hammer Block Safety

The hammer block safety mechanism is a round button located at the rear of the receiver. To put your rifle on SAFE, first move the hammer to the Half Cock position (See D and #3 under "Safety Features", page 5).

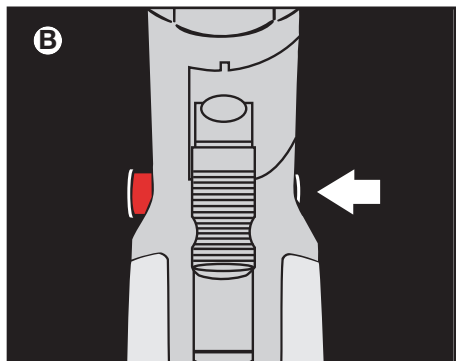
NOTE: You can only move the safety button if the hammer is in the Half Cock or Full Cock position. It will not move if the hammer is in the Full Forward position, or if the hammer is resting on the safety in the SAFE position (slightly forward of Half Cock).

Push the safety button from left to right as far as it will go (See A). The safety is now on SAFE and the word SAFE will appear around the right side of the button. The hammer should now be in the Half Cock position and the safety on SAFE. *This is the safest way to carry your rifle when it is loaded.* At all other times the action should be open.

To move the safety button to the FIRE position, push it from right to left as far as it will go (See B). A red ring will appear around the left side of the button as a warning that it is in the FIRE position. *If the hammer is pulled all the way back at this point, the rifle will be cocked and ready to fire.*



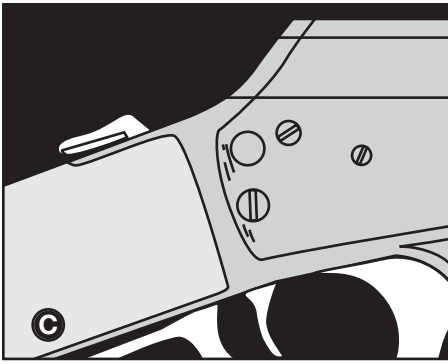
SAFE Position



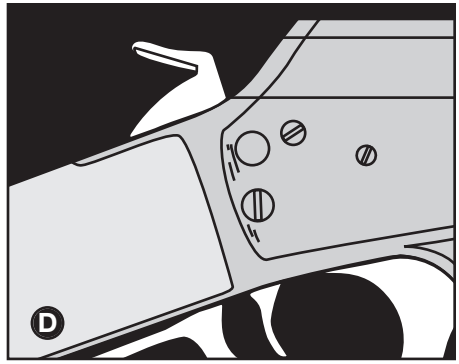
FIRE Position

2. Full Cock and Half Cock Hammer Positions

Exposed hammer lever actions have, for over a century, relied on manipulation of the hammer for both manual cocking of the rifle as well as the traditional Half Cock safety position. Your rifle has these traditional hammer positions as well as the added benefit of a hammer block safety button. Use the following hammer positions in conjunction with the hammer block safety for the safest possible operation.



Full Cock



Half Cock

A. The Full Cock position of the hammer is when it is at its furthest point from the firing pin (See C). If the trigger is pulled when the hammer is in this position, and the safety button is in the FIRE position, the gun will fire.

NOTE: If the trigger is pulled when the hammer is in the Full Cock position, and the rifle is on SAFE, the hammer *will fall*, but will be stopped before it strikes the firing pin.

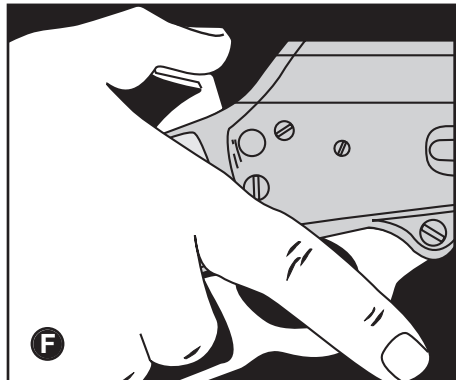
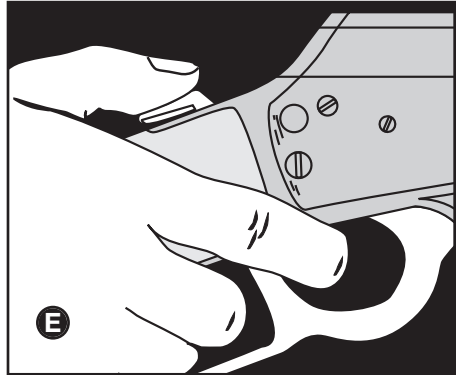
B. The Half Cock position of the hammer is between the Full Cock position and the full forward position. (See D).

3. To Move the Hammer to the Half Cock Position

First put the hammer block safety button on SAFE. The hammer may be moved from Full Cock to the Half Cock position by firmly holding the hammer in the Full Cock position with your thumb. Keep your thumb on the hammer as you pull the trigger. As soon as you feel the hammer exerting forward pressure on your thumb, remove your finger from the trigger and ease the hammer slowly forward to the Half Cock position (See E & F). The hammer is now in the Half Cock “SAFE” position.

To resume the Full Cock position, simply pull the hammer all the way to the rear (See C).

Changing hammer position—



Half Cock

- **WARNING:** Any mechanical device can fail, so never rely on the Half Cock position or the hammer block safety to justify careless handling.
- **WARNING:** Never allow the hammer to rest on the firing pin (hammer in full forward position). If the rifle is loaded and the hammer is inadvertently struck in the full forward position, the rifle will fire.

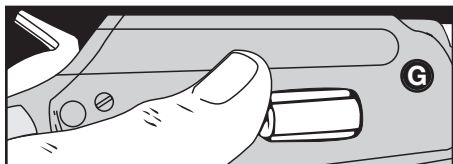
- **WARNING:** Should the hammer inadvertently be placed in the Full Forward position, open the bolt, put the hammer block safety on SAFE, and close the bolt. The hammer is now in the Full Cock position. Follow instructions in #3 under “Safety Features” to move the hammer to the Half Cock position.
- **WARNING:** Become thoroughly familiar with the hammer positions before loading the rifle with ammunition. Failure to follow the instructions in #3 under “Safety Features” may result in “false half cock”, a condition that may allow the hammer to fall and fire the rifle if the hammer block safety button is in the FIRE position, and the trigger is pulled.

How to Load

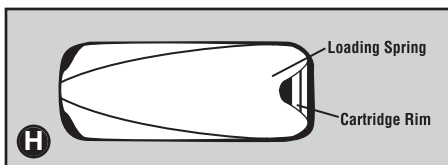
- **WARNING:** Before loading or firing, always check the bore and chamber to be sure they are free of grease, oil, or any other obstruction. With the action open, and the hammer block safety button on SAFE, look through the barrel to see if there is an obstruction. If there is, it must be removed before firing. Otherwise, personal injury or damage could result.
- **WARNING:** Never attempt to load your rifle with ammunition that does not meet the cartridge designation stamped on the barrel. Use only ammunition suitable for a tubular magazine rifle. We recommend clean, dry, factory-loaded ammunition which conforms to industry standards.
- **WARNING:** Some pointed and full metal jacket round nose bullets are on the market which can chainfire other cartridges in a tubular magazine during recoil, causing severe injury and damage. If you are uncertain about the safety of using a particular cartridge in your Marlin, contact the ammunition or bullet manufacturer.
- **WARNING:** Do not use aluminum-cased ammunition in this rifle, since it may cause malfunctions.
- **WARNING:** Do not use Blazer brand ammunition in this rifle. The design is not compatible with the Marlin feeding system, and may result in live rounds inadvertently remaining in the magazine.

Loading the Magazine

Be sure the bolt is closed (lever closed), the hammer block safety button is on SAFE (See A, page 4), the hammer is in the Half Cock position (See D, page 5), and the rifle is pointed in a safe direction. Insert the cartridges, bullet end first, into the loading port. As the cartridge enters the loading port, push it forward into the magazine tube (See G) **Be sure that the last cartridge is completely inside the loading port before preparing to fire, or a jammed action may result (See H).**



Loading the magazine



Proper position of loading spring

Preparing to Fire

With the rifle pointed in a safe direction, completely open and close the lever one time. When the hammer block safety button is moved to the FIRE position, your rifle is loaded, cocked, and ready to fire.

- **WARNING:** If you do not want to fire at this point, return the hammer block safety button to the SAFE position, and the hammer to the Half Cock position (See E & F, page 5).

Loading a Single Cartridge

With the hammer block safety button on SAFE, the rifle empty, and the lever open (bolt open), place a single cartridge with the bullet forward, in the ejection port, onto the carrier (See I).



Loading a single cartridge

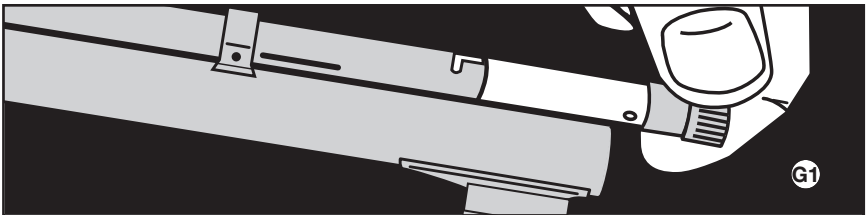
Return the lever to the closed position (bolt closed). The cartridge will be fed directly into the chamber and the rifle will be cocked and ready to fire, when the hammer block safety button is moved to the FIRE position.

- **WARNING:** Never attempt to load your rifle with ammunition that does not meet the cartridge designation stamped on the barrel. Use only ammunition suitable for a tubular magazine rifle. We recommend clean, dry, factory-loaded ammunition which conforms to industry standards.
- **WARNING Regarding Ammunition:** Some pointed and full metal jacket round nose bullets which are on the market can chainfire other cartridges in a tubular magazine during recoil causing severe injury and damage. Hornady Lever Revolution ammunition has a soft pointed plastic tip, and can be used safely in your rifle. If you are uncertain about the safety of using a particular cartridge in your Marlin, contact the ammu-

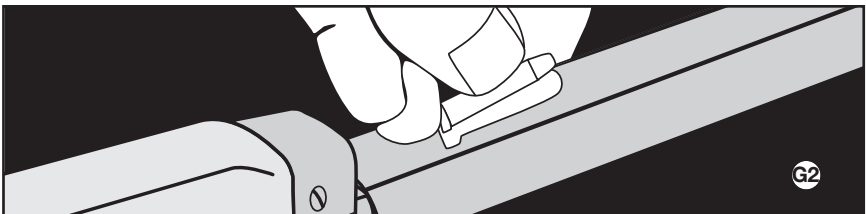
Loading the Magazine of the 1894CB-32H&R only.

- **WARNING:** Never add cartridges to a partially loaded tubular magazine. This rifle will not function properly unless the inner magazine tube is locked securely in place.

Open the bolt by pushing the finger lever all the way down. Then, with the safety on SAFE, keeping your fingers away from the muzzle, and rifle pointed in a safe direction, turn your rifle upside down and unlock the inner magazine tube by turning the knurled locking end plug (see G1). Pull the inner tube out until the loading port is open. Insert the cartridges, bullet end toward the muzzle (see G2). When you have loaded up to the magazine capacity, slide the inner tube back in place, turning it slightly to ease the passage over the loaded rounds. **DO NOT FORCE THE TUBE DOWN.** Then rotate the knurled locking end plug to the locked position. The inner tube will not lock in place if the number of cartridges loaded exceeds the stated magazine capacity.



Unlocking the tubular magazine



Loading the tubular magazine

nition or bullet manufacturer.

How to Fire

With the hammer in the Full Cock position, push the hammer block safety button to the FIRE position and, with the gun pointed at the target, squeeze the trigger. The gun will fire. Work the lever fully open and closed for each repeat shot. If you do not fire all the cartridges in the magazine, be sure to put the hammer in the Half Cock position and the hammer block safety button on SAFE until you are ready to shoot again.

- **WARNING:** Remember, until a visual check has been made, you must assume that a live round remains in the chamber. Whenever the action is closed, assume a live round is in the chamber.
- **WARNING:** If your rifle comes with a ported barrel, the short barrel of this rifle increases the muzzle blast for you and those around you. In addition, the ports in the barrel redirect some gas flow upward and to the sides. Always wear ear and eye protection, and be sure those around you do the same.

What to do if Rifle Fails to Fire

Misfire

If you have squeezed the trigger and the hammer falls but the cartridge does not fire, remain in shooting position, pointing the gun in a safe direction. Count to 10, then open the action.

Underpowered Shot

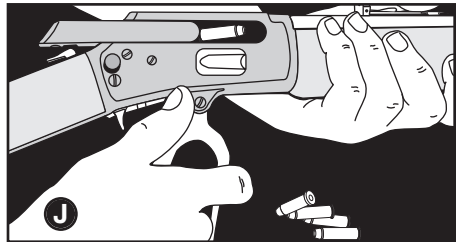
A “squib”, or underpowered shot can normally be detected by the unusually low report it makes.

- **WARNING:** Because the bullet may actually still be in the barrel, you must unload completely and, with the action open, use a cleaning rod to see if there is an obstruction. If there is, it should be removed by a qualified gunsmith. Otherwise, personal injury or damage could result.

How to Unload

Put the hammer in the Half Cock position and the hammer block safety button on SAFE.

Keeping your fingers away from the trigger, and with the gun pointed in a safe direction, manually eject all cartridges by opening and closing the lever, until you are sure the chamber and magazine are empty (See J). The lever must be completely closed and then fully opened to insure proper feeding and ejecting of all cartridges. Then, with the lever in the open position (bolt to the rear), inspect the chamber and magazine carefully to be sure there are no cartridges left in the gun.



Unloading

- **WARNING:** During the unloading process, be sure the hammer block safety button is on SAFE, because each time the lever is completely closed (bolt closed), your rifle is cocked and ready to fire. Keep your fingers away from the trigger and be sure the gun is pointed in a safe direction during unloading.

Sighting

Your rifle has been sighted-in and test-fired at the factory. However, due to individual sighting characteristics, sighting should be range verified.

Vertical Correction (Elevation)

To raise the point of impact, raise the rear sight by moving the elevator to the rear. To lower the point of impact, lower the rear sight by moving the elevator forward.

For Cowboy Models equipped with an adjustable Marble semi-buckhorn rear sight, further vertical correction can be made by loosening the small screw on the rear sight and adjusting the height of the insert.

Horizontal Correction (Windage)

To move the point of impact to the left, tap the rear sight base to the left. To move the point of impact to the right, tap the rear sight base to the right.

Scope Mounting

All models, with the exception of the 1894 Cowboy Competition, were drilled and tapped for scope mounts. They are made by Weaver, among others, and are available through your local gun dealer. You may also order directly from Marlin Gun Service. Call 1-800-544-8892 for more information.

• **WARNING:** Improper mounting or use of a scope may result in facial injury. Always allow sufficient space between the scope and eye to avoid contact from recoil. Be sure to follow the scope manufacturer's instructions for correct mounting and use. Periodically check the scope to ensure it has not moved during use.

How to Clean Your Rifle

• **WARNING:** Never attempt to wipe down or clean a loaded firearm.

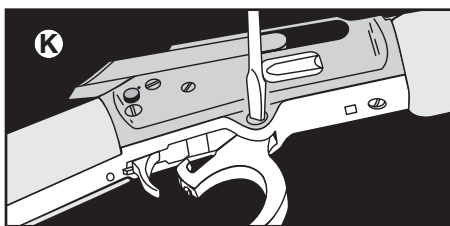
Caution: Before using any solvent or other gun cleaning product, read the label carefully to be sure it will not damage either the finish, or any parts of this firearm.

NOTE for stainless steel models: Although stainless steel is corrosion-resistant, it can rust. If the rifle gets wet, dirty, or is subject to excessive handling, wipe down metal parts with oil or rust-inhibitor.

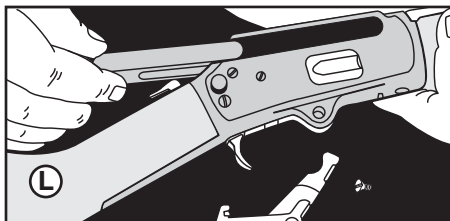
Minor scratches can be "buffed out" of stainless steel with a "Scotch-Brite™ Very Fine" pad, available in hardware and automotive supply stores.

1. Put the hammer block safety button on SAFE and remove all cartridges from the action, chamber and magazine before you begin cleaning or inspecting your rifle.

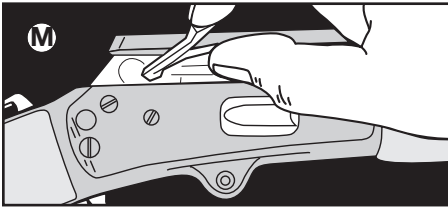
2. To clean the bore from the breech end (recommended), open the lever half way, remove the lever screw (See K) and then the lever. Then remove the breech bolt from the receiver (See L). (This will cause the ejector to be loose inside the receiver — be careful not to lose it.) Next, remove the ejector from the slot in the left side of the receiver (See M, page 10).



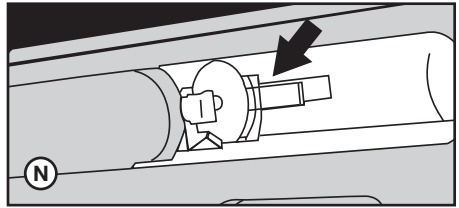
Removing lever screw



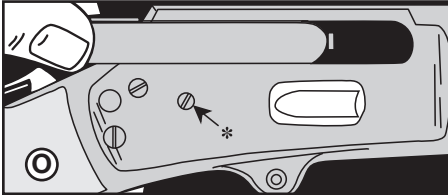
Removing breech bolt



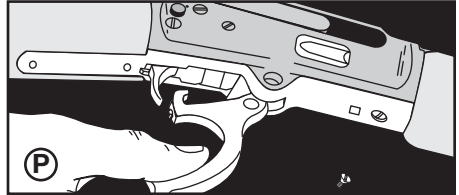
Removing ejector



Correct bolt and ejector alignment



Replacing breech bolt (*Keep this screw tight)



Replacing lever

• **WARNING:** If you move the hammer block safety to the FIRE position after the bolt has been removed, do not pull the trigger, letting the hammer snap forward, because the hammer blow will damage the safety mechanism.

The bore can now be cleaned, using the proper caliber cleaning rod, cleaning patches and powder solvent. Clean and oil the breech bolt before replacing. The barrel and bore should also be *lightly* oiled.

3. The action may be cleaned and oiled while the gun is disassembled as described on the previous pages.

4. To reassemble, simply reverse the above steps. Make sure the ejector is positioned properly prior to alignment and insertion of the breech bolt. See N, for the relationship of the bolt and ejector for correct alignment. Push the breech bolt into the receiver until within approximately 1" of the fully closed position (See O). The lever may now be inserted as shown in P.

Use a very thin coat of light oil during below freezing conditions. Condensation droplets will form soon after the rifle is brought into a warm room, or the rifle may become wet during inclement weather. In any case, all moisture should be removed. Exterior metal finishes may be wiped down with a slightly oiled cloth. For long term storage, lightly oil the bore, barrel and action with gun oil. Your rifle should be completely unloaded and stored in a dry, ventilated area. Do not store it in a carrying case.

Repair Instructions

Your firearm has been designed and manufactured in accordance with Marlin's rigid quality control standards. However, any mechanical device may occasionally require adjustment or repair.

Questions regarding the performance and serviceability of your firearm should be addressed to our Gun Service Division at 1-800-544-8892. You should include the Serial Number, Model Number and a full description of the conditions and problems involved.

Warranty Repairs

Our Warranty policy covers all our firearms against defects in workmanship or material for a period of five years from the date of purchase to the original owner. See the inside front cover of this manual for warranty details.

Guns requiring warranty repairs should be returned to the factory. Be sure to follow the "Shipping and Handling" instructions on this page.

Non-Warranty Repairs

A competent gunsmith may be able to repair your gun. If not, ship it to the factory, following the "Shipping and Handling" instructions on this page.

After receiving your firearm, we will send you an estimate of the repair cost. Repairs will begin upon receipt of your check or money order. If repairs are not possible, your gun will be returned.

Shipping and Handling

When sending your firearm to the factory, you must follow these instructions:

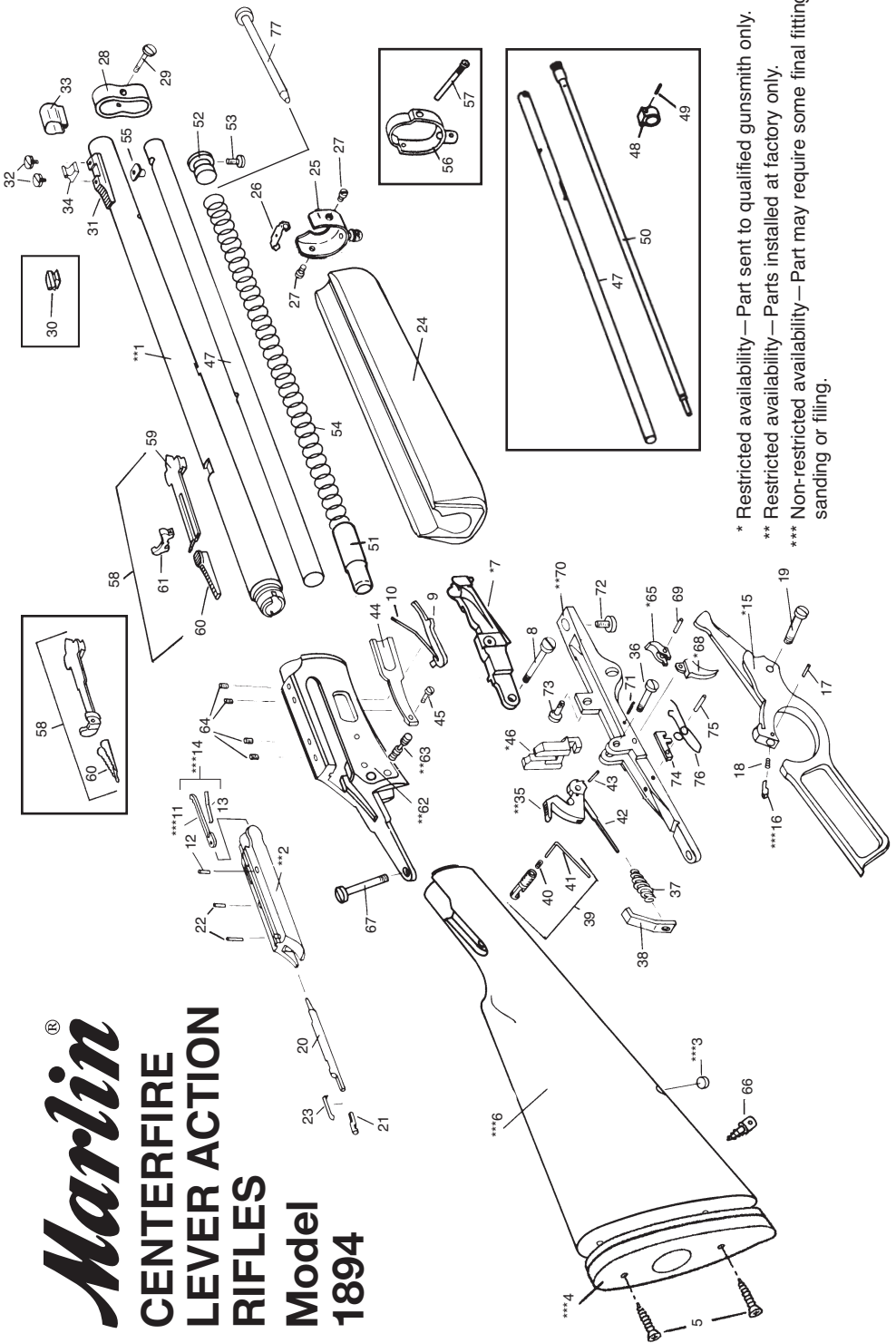
1. Prior to mailing, be absolutely certain that the chamber and magazine of your firearm are not loaded.
2. Pack your gun carefully. Use ample cushioning and a sturdy outer cardboard box. Do not ship in a special container which you want returned.
3. Accessories such as scopes, scope mounts, gun case, quick detach type swivels, sling straps and other special appointments should be removed prior to returning the firearm.
4. Inside the box, include a sheet with the following information: model number, serial number, description of damage or problem, and under what conditions difficulty occurs.
5. **Keep a record of your serial number when returning a firearm.**
6. Clearly mark your return address on the outside of the box and on your instruction sheet.
7. Do not ship live ammunition under any circumstances.
8. Ship your firearm via insured Parcel Post or U.P.S. prepaid and addressed to:

**MFC INC.
ATTN: SERVICE DEPT.
100 KENNA DRIVE
NORTH HAVEN, CONN. 06473**

Marlin®

CENTERFIRE LEVER ACTION RIFLES

Model 1894



* Restricted availability—Part sent to qualified gunsmith only.
 ** Restricted availability—Parts installed at factory only.
 *** Non-restricted availability—Part may require some final fitting sanding or filing.

PARTS LIST LEVER ACTION RIFLES

For parts prices, call 1-800-544-8892. Be sure to mention gun serial number when ordering parts.

ILL. NO.	PART NAME	PART NUMBER	ILL. NO.	PART NAME	PART NUMBER
**1	Barrel		52	Magazine Tube Plug	
**2	Breach Bolt		53	Magazine Tube Plug Screw	
***3	Bullseye		54	Magazine Tube Spring	
****4	Buttplate/Buttpad		55	Magazine Tube Stud	
5	Buttplate/Buttpad Screw (2)		56	Rear Band	
***6	Buttstock		57	Rear Band Screw	
*7	Carrier Assembly		58	Rear Sight Assembly	
8	Carrier Screw		59	Rear Sight Base	
9	Ejector w/Spring		60	Rear Sight Elevator	
10	Ejector Spring		61	Rear Sight Folding Leaf	
***11	Extractor		**62	Receiver	
12	Extractor Retaining Pin		**63	Safety Button Assembly	
13	Extractor Spring		64	Scope Mount Dummy Screw (4)	
***14	Extractor w/Spring		*65	Sear	
*15	Finger Lever		66	Swivel Stud, Rear	
***16	Finger Lever Plunger		67	Tang Screw	
17	Finger Lever Plunger Pin		*68	Trigger	
18	Finger Lever Plunger Spring		69	Trigger and Sear Pin	
19	Finger Lever Screw		**70	Trigger Guard Plate	
20	Firing Pin, Front		71	Trigger Guard Plate Latch Pin	
21	Firing Pin, Rear		72	Trigger Guard Plate Screw	
22	Firing Pin Retaining Pin (2)		73	Trigger Guard Plate Support Screw	
23	Firing Pin Spring		74	Trigger Safety Block	
24	Forearm		75	Trigger Safety Block Pin	
25	Forearm Tip		76	Trigger Safety Block Spring	
26	Forearm Tip Tenon		77	10 Shot Plug	
27	Forearm Tip Tenon Screw (2)				
28	Front Band				
29	Front Band Screw				
30	Front Sight				
31	Front Sight Base				
32	Front Sight Base Screw (2)				
33	Front Sight Hood				
34	Front Sight Insert				
**35	Hammer				
36	Hammer Screw				
37	Hammer Spring (Mainspring)				
38	Hammer Spring Plate				
39	Hammer Spur Complete				
	(Includes parts 40 and 41)				
40	Hammer Spur Screw				
41	Hammer Spur Wrench				
42	Hammer Strut				
43	Hammer Strut Pin				
44	Loading Spring				
45	Loading Spring Screw				
*46	Locking Bolt				
47	Magazine Tube				
48	Magazine Tube Band				
49	Magazine Tube Band Pin				
50	Magazine Tube Assembly				
51	Magazine Tube Follower				

*Restricted availability—Part sent to qualified gunsmith only. **Restricted availability—Parts installed at factory only.

***Non-restricted availability—Part may require some final fitting sanding or filing.

ILL. NO.	PART NAME	1894 Part No.	1894FG Part No.	1894SS Part No.	1894C Part No.	1894CL Part No.	1894CBC (38) Part No.
**1	Barrel	114001	114037	114045	114000	114053	114024
**2	Breech Bolt	114486	114586	114021	114386	114043	114386
**3	Bullseye	320101	320101	320101	320101	320101	320101
**4	Buttplate/Buttpad	417002	417002	417002	417002	320402	320402
5	Buttplate/Buttpad Screw (2)	420590	420590	420590	420590	420590	420590
**6	Buttstock	514013	501214	514013	514013	514113	514314
*7	Carrier Assembly	514461	514461	514022	514561	514025	514562
8	Carrier Screw	301190	301190	301001	301190	301190	301190
9	Ejector w/Spring	501168	501168	501028	501168	501168	501100
10	Ejector Spring	401294	401294	401294	401294	401294	401294
**11	Extractor	214569	214569	214469	214569	214569	214569
12	Extractor Retaining Pin	420598	420598	420598	420598	420598	420598
13	Extractor Spring	314695	314695	314695	314695	314695	314695
**14	Extractor w/Spring	514569	514569	514669	514569	514569	514569
*15	Finger Lever	514170	514016	514270	514170	514170	514171
**16	Finger Lever Plunger	214071	214071	214071	214071	214071	210701
17	Finger Lever Plunger Pin	301197	301197	301009	301197	301197	301197
18	Finger Lever Plunger Spring	401696	401696	401696	401696	401696	401696
19	Finger Lever Screw	301192	301192	301002	301192	301192	301192
20	Firing Pin, Front	414299	414299	414299	414299	414299	414299
21	Firing Pin, Rear	401199	401199	401012	401199	401199	401199
22	Firing Pin Retaining Pin (2)	420299	420299	401016	420299	420299	420299
23	Firing Pin Spring	401295	401295	401295	401295	401295	401295
24	Forearm	101127	101127	101127	114827	114527	114628
25	Forearm Tip	501328	501328	514528	N/A	201128	214128
26	Forearm Tip Tenon	220429	220429	220429	N/A	220429	220429
27	Forearm Tip Tenon Screw (2)	320191	320191	101067	N/A	320191	320191
28	Front Band	301233	301233	301010	314133	N/A	N/A
29	Front Band Screw	301291	301291	301011	314190	N/A	N/A
30	Front Sight	N/A	N/A	N/A	N/A	414144	414144
31	Front Sight Base	221239	221239	221239	221239	N/A	N/A
32	Front Sight Base Screw (2)	320991	320991	320991	320991	N/A	N/A
33	Front Sight Hood	320245	320245	320245	320245	N/A	N/A
34	Front Sight Insert	230744	230744	230744	216344	N/A	N/A
**35	Hammer	101273	101273	101038	101273	101273	101200
36	Hammer Screw	301090	301090	301000	301090	301090	301090
37	Hammer Spring (Mainspring)	420294	420294	420294	420294	420294	420009
38	Hammer Spring Plate	320175	320175	320175	320175	320175	320175
39	Hammer Spur Complete (prts. 40, 41)	520377	520377	520377	520377	520377	N/A
40	Hammer Spur Screw	420193	420193	420193	420193	420193	N/A
41	Hammer Spur Wrench	420204	420204	420204	420204	420204	N/A
42	Hammer Strut	320174	320174	320174	320174	320174	320174
43	Hammer Strut Pin	401397	401397	401397	401397	401397	401397
44	Loading Spring	114594	114594	114694	114594	114594	114594
45	Loading Spring Screw	301591	301591	301006	301591	301591	301591
*46	Locking Bolt	114181	114181	114181	114181	114181	114025
47	Magazine Tube	201022	201022	201002	214525	214022	214600
48	Magazine Tube Band	N/A	N/A	N/A	N/A	N/A	N/A
49	Magazine Tube Band Pin	N/A	N/A	N/A	N/A	N/A	N/A
50	Magazine Tube Assembly	N/A	N/A	N/A	N/A	N/A	N/A
51	Magazine Tube Follower	501045	501045	501045	514124	514124	514124
52	Magazine Tube Plug	301225	301225	301004	314325	314025	314025
53	Magazine Tube Plug Screw	301990	301990	301013	214490	301193	301193
54	Magazine Tube Spring	401395	401395	401395	414295	414595	414595
55	Magazine Tube Stud	N/A	N/A	N/A	N/A	214425	214425
56	Rear Band	N/A	N/A	N/A	501521	N/A	N/A
57	Rear Band Screw	N/A	N/A	N/A	301590	N/A	N/A
58	Rear Sight Assembly	501342	501342	501342	501342	414000	414000
59	Rear Sight Base	520241	520241	520241	520241	N/A	N/A
60	Rear Sight Elevator	320642	320241	320242	230142	N/A	714342
61	Rear Sight Folding Leaf	201342	201342	214142	201342	N/A	N/A
**62	Receiver	114460	114460	114862	114360	114360	114500
**63	Safety Button Assembly	599383	599383	599383	599383	599383	599383
64	Scope Mount Dummy Screw (4)	320493	320493	320003	320493	320493	N/A
*65	Sear	201051	201051	201051	201051	201051	201051
66	Swivel Stud, Rear	420793	420793	420002	420793	N/A	N/A
67	Tang Screw	314191	320391	320002	320391	320391	320391
*68	Trigger	301643	301643	301743	301643	301643	301643
69	Trigger and Sear Pin	401097	401097	401097	401097	401097	401097
**70	Trigger Guard Plate	514158	514020	514358	514158	514158	514158
71	Trigger Guard Plate Latch Pin	401099	401099	401008	401099	401099	401099
72	Trigger Guard Plate Screw	301790	301790	301007	301790	301790	301790
73	Trigger Guard Plate Support Screw	301490	301490	301005	301490	301490	301490
74	Trigger Safety Block	301859	301859	301008	301859	301859	301859
75	Trigger Safety Block Pin	420397	420397	420397	420397	420397	420397
76	Trigger Safety Block Spring	401596	401596	401596	401596	401596	401596
77	10 Shot Plug	N/A	N/A	N/A	N/A	N/A	414900

ILL. NO.	PART NAME	1894CBC (45)	1894CB (45)	1894CB (357)	1894CB (44)	1894CB (32H&R)
		Part No.	Part No.	Part No.	Part No.	Part No.
**1	Barrel	114029	114003	114036	114035	114046
**2	Breech Bolt	114272	114272	114386	114486	114300
***3	Bullseye	320101	320101	320101	320101	320101
***4	Buttplate/Buttpad	320402	320402	320402	320402	320402
5	Buttplate/Buttpad Screw (2)	420590	420590	420590	420590	420590
***6	Buttstock	514314	514113	514314	514113	514314
*7	Carrier Assembly	514462	514461	514561	514461	514567
8	Carrier Screw	301190	301190	301190	301190	301190
9	Ejector w/Spring	501100	501168	501168	501168	501101
10	Ejector Spring	401294	401294	401294	401294	201101
***11	Extractor	214569	214569	214569	214569	214569
12	Extractor Retaining Pin	420598	420598	420598	420598	420598
13	Extractor Spring	314695	314695	314695	314695	314695
***14	Extractor w/Spring	514569	514569	514569	514569	514569
*15	Finger Lever	514171	514170	514170	514170	514170
***16	Finger Lever Plunger	201014	214071	214071	214071	214071
17	Finger Lever Plunger Pin	301197	301197	301197	301197	301197
18	Finger Lever Plunger Spring	401696	401696	401696	401696	401696
19	Finger Lever Screw	301192	301192	301192	301192	301192
20	Firing Pin, Front	414299	414299	414299	414299	414299
21	Firing Pin, Rear	401199	401199	401199	401199	401199
22	Firing Pin Retaining Pin (2)	420299	420299	420299	420299	420299
23	Firing Pin Spring	401295	401295	401295	401295	401295
24	Forearm	114628	114628	114628	114528	114628
25	Forearm Tip	214128	214128	214128	214128	214128
26	Forearm Tip Tenon	220429	220429	220429	220429	220429
27	Forearm Tip Tenon Screw (2)	320191	320191	320191	320191	320191
28	Front Band	N/A	N/A	N/A	N/A	220100
29	Front Band Screw	N/A	N/A	N/A	N/A	N/A
30	Front Sight	414144	414144	414144	414144	414144
31	Front Sight Base	N/A	N/A	N/A	N/A	N/A
32	Front Sight Base Screw (2)	N/A	N/A	N/A	N/A	N/A
33	Front Sight Hood	N/A	N/A	N/A	N/A	N/A
34	Front Sight Insert	N/A	N/A	N/A	N/A	N/A
**35	Hammer	101200	101273	101273	101273	101273
36	Hammer Screw	301090	301090	301090	301090	301090
37	Hammer Spring (Mainspring)	420009	420294	420294	420294	420294
38	Hammer Spring Plate	320175	320175	320175	320175	320175
39	Hammer Spur Complete (prts. 40, 41)	N/A	520377	520377	520377	520377
40	Hammer Spur Screw	N/A	420193	420193	420193	420193
41	Hammer Spur Wrench	N/A	420204	420204	420204	420204
42	Hammer Strut	320174	320174	320174	320174	320174
43	Hammer Strut Pin	401397	401397	401397	401397	401397
44	Loading Spring	114594	114594	114594	114594	N/A
45	Loading Spring Screw	301591	301591	301591	301591	N/A
*46	Locking Bolt	114181	114181	114181	114181	114181
47	Magazine Tube	214625	214722	214600	214625	214602
48	Magazine Tube Band	N/A	N/A	N/A	N/A	220100
49	Magazine Tube Band Pin	N/A	N/A	N/A	N/A	420600
50	Magazine Tube Assembly	N/A	N/A	N/A	N/A	514600
51	Magazine Tube Follower	401424	501045	514124	501045	414520
52	Magazine Tube Plug	301425	301425	314025	301425	320100
53	Magazine Tube Plug Screw	301193	301193	301193	301193	N/A
54	Magazine Tube Spring	401395	401395	414595	401395	414595
55	Magazine Tube Stud	201125	201125	214425	201125	N/A
56	Rear Band	N/A	N/A	N/A	N/A	N/A
57	Rear Band Screw	N/A	N/A	N/A	N/A	N/A
58	Rear Sight Assembly	414000	414242	414000	414000	414000
59	Rear Sight Base	N/A	N/A	N/A	N/A	N/A
60	Rear Sight Elevator	714342	714342	714342	714342	714342
61	Rear Sight Folding Leaf	N/A	N/A	N/A	N/A	N/A
**62	Receiver	114031	114760	114564	114760	114563
**63	Safety Button Assembly	599383	599383	599383	599383	599383
64	Scope Mount Dummy Screw (4)	N/A	320493	320493	320493	320493
*65	Sear	201051	201051	201051	201051	201051
66	Swivel Stud, Rear	N/A	N/A	N/A	N/A	N/A
67	Tang Screw	320391	320391	320391	320391	320391
*68	Trigger	301643	301643	301643	301643	301643
69	Trigger and Sear Pin	401097	401097	401097	401097	401097
**70	Trigger Guard Plate	514158	514158	514158	514158	514158
71	Trigger Guard Plate Latch Pin	401099	401099	401099	401099	401099
72	Trigger Guard Plate Screw	301790	301790	301790	301790	301790
73	Trigger Guard Plate Support Screw	301490	301490	301490	301490	301490
74	Trigger Safety Block	301859	301859	301859	301859	301859
75	Trigger Safety Block Pin	420397	420397	420397	420397	420397
76	Trigger Safety Block Spring	401596	401596	401596	401596	401596
77	10 Shot Plug	N/A	414824	414901	N/A	N/A

IMPORTANT

If you have any questions or problems relating to your new Marlin, would like additional information on safe operation, or wish to order parts or accessories, just call our Customer Service Center. A Service Representative can be reached at the number listed below, between 8 A.M. and 4:30 P.M. (Eastern Time), Monday through Friday.

1-800-544-8892 (Toll Free)

Please record the firearm serial number, date of purchase and where purchased below.

Serial #: _____

Date of Purchase: _____

Purchased From: _____

In case of loss or theft, supply this information to the proper authorities.



WARNING

Children are attracted to and can operate firearms that can cause severe injuries or death.

Prevent child access by always keeping guns locked away and unloaded when not in use. If you keep a loaded firearm where a child obtains and improperly uses it, you may be fined or sent to prison.



ADVERTENCIA

A los niños los atraen las armas de fuego y las pueden hacer funcionar. Ellos pueden causarse lesiones graves y la muerte.

Evite que los niños tengan acceso a las armas de fuego guardándolas siempre con llave y descargadas cuando no las esté utilizando. Si usted tiene un arma de fuego cargada en un lugar en que un niño tiene acceso a ella y la usa indebidamente, le pueden dar una multa o enviarlo a la cárcel.

Health Warning: Discharging of firearms in poorly ventilated areas and handling ammunition may cause exposure to lead and/or lead compounds. Exposure may cause cancer, birth defects or damage to the kidney, nervous, blood forming and reproductive systems. Have adequate ventilation at all times, especially in confined areas. Wash hands thoroughly after shooting, handling ammunition, or cleaning a firearm. Do not eat or smoke during these activities.

Safety Warning: Marlin strongly recommends that you take a hunter safety course, taught by a certified instructor, before you use this firearm. Your State Fish & Game Dept. or a local gun shop can suggest courses in your area.

Safety Warning: Keep this firearm out of the reach of children, unauthorized individuals, and others unfamiliar with the safe handling of firearms.