

# OWNER'S MANUAL

## STEYR AUG A3 M1



**⚠ WARNING** READ THIS MANUAL  
BEFORE LOADING OR USING YOUR STEYR AUG.

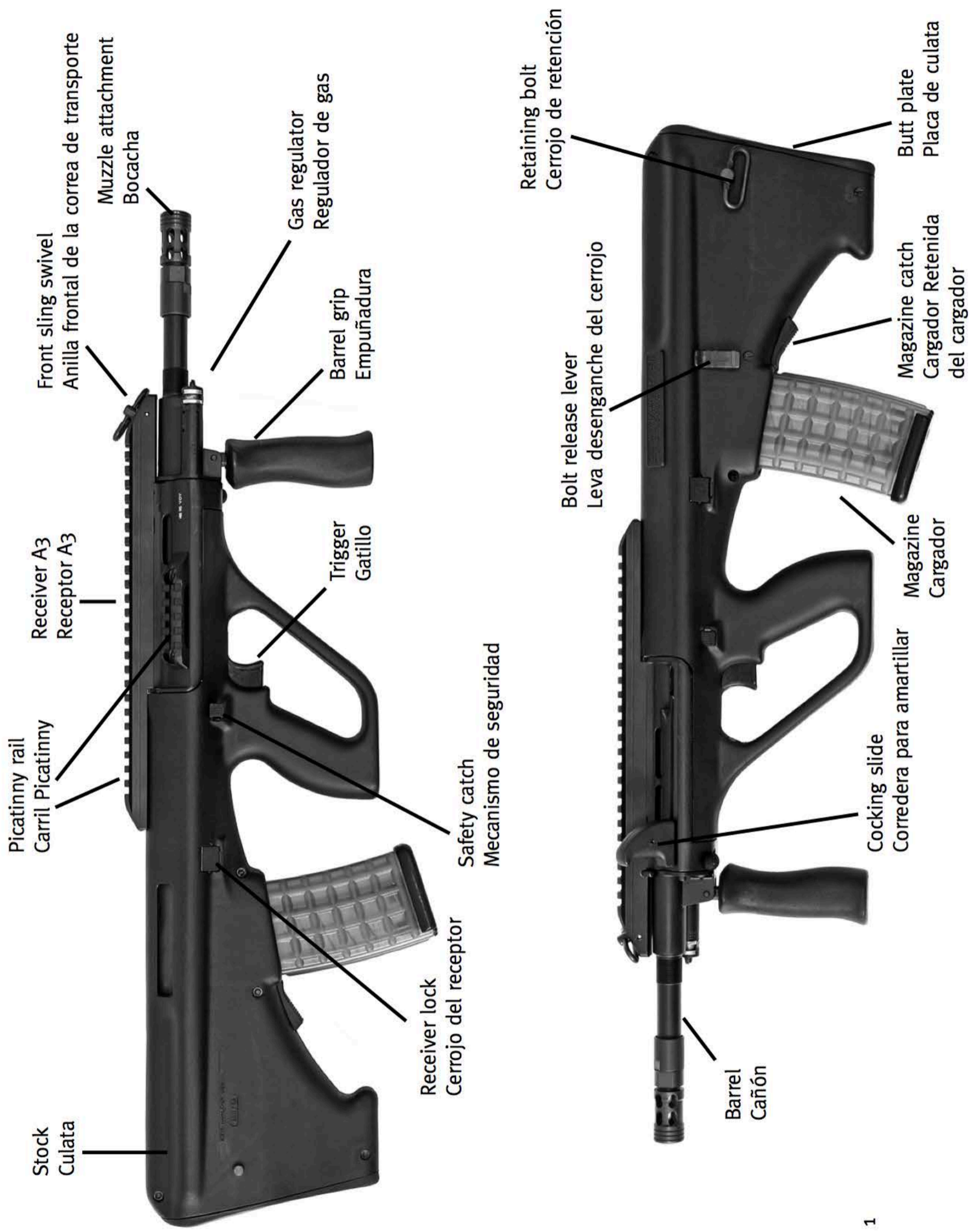


Fig. 1

## **Dear Customer,**

With the purchase of the STEYR AUG/A3 SA USA you have acquired a rifle which meets the highest quality standards. This rifle has been conceived to state-of-the-art requirements of today's sports. Unsurpassed performance, superb quality, optimum user comfort in handling, and long service life have been the parameters the STEYR AUG has been designed for.

Copyright STEYR MANNLICHER GmbH  
All rights reserved.

**STEYR ARMS, Inc.**  
2530 Morgan Road  
Bessemer, AL 35022  
Tel. (205) 417-8644  
Fax.(205) 417-8647  
[www.steyrarms.com](http://www.steyrarms.com)



**STEYR MANNLICHER GmbH**  
Ramingtal 46, 4442 Kleinraming, Austria  
[www.steyr-mannlicher.com](http://www.steyr-mannlicher.com)

## Owner's Manual

Read this manual and the warnings contained in it before loading or using your STEYR AUG. This manual explains the function and the handling of your STEYR AUG and warns of the potential dangers, including death and serious personal injury that can result from the unsafe use of your STEYR AUG. This manual should always accompany your STEYR AUG and be transferred with your STEYR AUG if it is sold or loaned to another person.

We want you to enjoy shooting your STEYR AUG, but we want you to enjoy it safely. Whether you are an experienced shooter or have never handled a firearm before, you must READ THIS ENTIRE MANUAL CAREFULLY before loading or firing your STEYR AUG. This manual gives basic instructions on the proper handling and functioning of your STEYR AUG. Your safety and the safety of others depend on you following the instructions and warnings in this manual and constant use of safe firearms practices. IF YOU ARE UNFAMILIAR WITH FIREARMS, TAKE A COURSE IN THE SAFE HANDLING OF FIREARMS RUN BY A QUALIFIED FIREARMS INSTRUCTOR, YOUR LOCAL GUN CLUB, OR A SIMILAR QUALIFIED ORGANIZATION.

This manual contains several safety warnings and instructions preceded with **⚠ WARNING**, **⚠ CAUTION** or **NOTICE**. **These signal words are designed to draw your attention to important safety information.**

**⚠ WARNING** Failure to follow the safety information and safety instructions in this manual could result in death, serious personal injury and/or property damage.

**⚠ WARNING** Always seek a doctor's advice if you are taking medication to be sure that you are able to shoot and handle a firearm safely. Never drink alcoholic beverages or take drugs before or while shooting. Your vision and judgment could be seriously impaired, making your firearm handling unsafe.

**⚠ WARNING** If your STEYR AUG or any other firearm is carelessly or improperly handled, you could cause a negligent discharge, which could result in death, serious personal injury and/or property damage.

**⚠ WARNING** Always handle your STEYR AUG as if it is loaded so that you never fire it negligently.

**⚠ WARNING** Never point your STEYR AUG at anything you do not intend to shoot.

**⚠ WARNING** Never pull the trigger or put your finger on the trigger or in the trigger guard until you are ready to fire.

**⚠ WARNING** Never take anyone's word that a firearm is unloaded; always check for yourself, with the firearm pointed in a safe direction and your finger off of the trigger and outside of the trigger guard.

**⚠ WARNING** Always make sure your STEYR AUG is unloaded and that the bolt is locked open in the rearward position with the magazine taken out before handing it to another person.

**NOTICE** To store your STEYR AUG, first unload it as described in Chapter 4. Then, after checking to make sure that it is unloaded (chamber empty and magazine removed), place it in a suitable locked container.

**NOTICE** Always store and transport your STEYR AUG unloaded and locked in a suitable container, out of the reach and sight of children or other unauthorized persons.

**NOTICE** Never store or transport ammunition in the same container as your STEYR AUG.

## TABLE OF CONTENTS

CHAPTER 1:	MAIN FEATURES .....	5
CHAPTER 2:	LOADING .....	9
CHAPTER 3:	FIRING .....	13
CHAPTER 4:	UNLOADING .....	16
CHAPTER 5:	DISASSEMBLY .....	18
CHAPTER 6:	PREVENTATIVE MAINTENANCE .....	28
CHAPTER 7:	REASSEMBLY .....	34
CHAPTER 8:	CORRECTING MALFUNCTIONS .....	44
CHAPTER 9:	PRODUCT SERVICE .....	46
CHAPTER 10:	TECHNICAL SPECIFICATIONS .....	47
CHAPTER 11:	PARTS LIST .....	48

# CHAPTER 1: MAIN FEATURES



Fig. 2

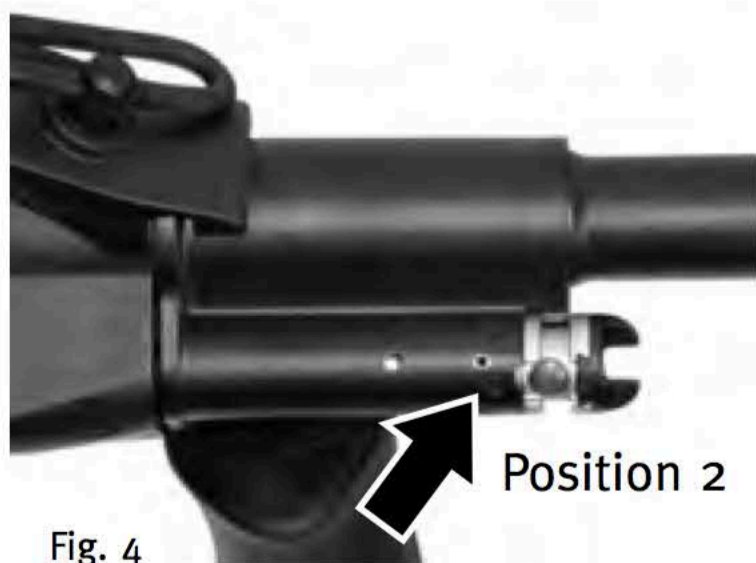
The STEYR AUG is a gas operated semi-automatic rifle with a locked action. The STEYR AUG is famous for its modular concept, which allows it to be quickly disassembled into six main component groups without tools. These six component groups are as follows:

**BARREL GROUP:** The chrome-lined barrel is designed for high reliability. The barrel can be quickly changed without the use of tools and has a foldable barrel grip. The gas pressure can be adjusted to allow it to function under adverse conditions, such as cold weather or when the STEYR AUG is dirty. The gas regulator has two positions.

**RECEIVER GROUP:** The receiver has an integrated Picatinny rail (Mil. Std. 1913) on which to mount various devices, such as a scope or flashlight. The barrel is locked into the front and back of the receiver.



Position one, which is used under normal conditions, is indicated by a small dot at the gas cylinder.



Position two, which is used under adverse conditions such as cold weather or when the STEYR AUG is dirty, is indicated by a big dot at the gas cylinder.



**BOLT GROUP:** The STEYR AUG has a fixed locking bolt, with seven locking lugs. An optional bolt is available to convert the STEYR AUG from right hand to left hand ejection.

**STOCK GROUP:** The STEYR AUG comes with a black synthetic bull-pup stock. It contains the receiver group, trigger mechanism group, magazine and external bolt release lever.



Fig. 5

The safety is located on the top of the pistol grip of the stock, behind the trigger. The safety is a two position push through “cross-bolt” type that locks the trigger. When the safety is protruding all the way from the right side of the STEYR AUG and a white dot is visible, it is in the “safe” position and the trigger is locked in place.



Fig. 6

When the safety is protruding all the way from the left side of the STEYR AUG and a red dot is visible, it is in the “fire” position and the trigger can be moved.

**⚠ WARNING** Although STEYR AUG's have several internal safeties, designed to prevent an unintentional discharge if the STEYR AUG is dropped or hit, the proper and safe function of your STEYR AUG depends on it being used for its intended purpose and not being altered or modified. Like any other mechanical device, if your STEYR AUG is subjected to unusual and extreme forces a part failure can occur. Therefore, safe firearm handling practices and the instructions and safety warnings in this manual must always be followed to minimize the risk of serious personal injury or death to you or others.

**⚠ WARNING** In case any of your STEYR AUG's safeties prove to be ineffective for any reason, the possibility of an unintentional discharge exists. If so, your STEYR AUG should be immediately unloaded and not be used again until it has been examined by STEYR authorized personnel.

**TRIGGER MECHANISM GROUP:** The trigger mechanism is designed for semi-automatic fire only. It is located in the rear of the stock.

**MAGAZINE GROUP:** The detachable magazine is a staggered box type and is made of transparent synthetic material. Magazines are available in 30 round (standard) and 42 round (optional) capacities.

## STANDARD EQUIPMENT

- 1 - Steyr AUG A3
- 1 - 30 Rd Black Magazine
- 1 - Owners Manual

## CHAPTER 2: LOADING

**⚠ WARNING** To minimize the risk of a negligent discharge, only load live ammunition into your STEYR AUG when you are ready to fire it.

**⚠ WARNING** Only use high quality commercially manufactured ammunition in the same caliber as your STEYR AUG. Reloaded or hand loaded ammunition may not meet applicable SAAMI standards and could be unsafe.

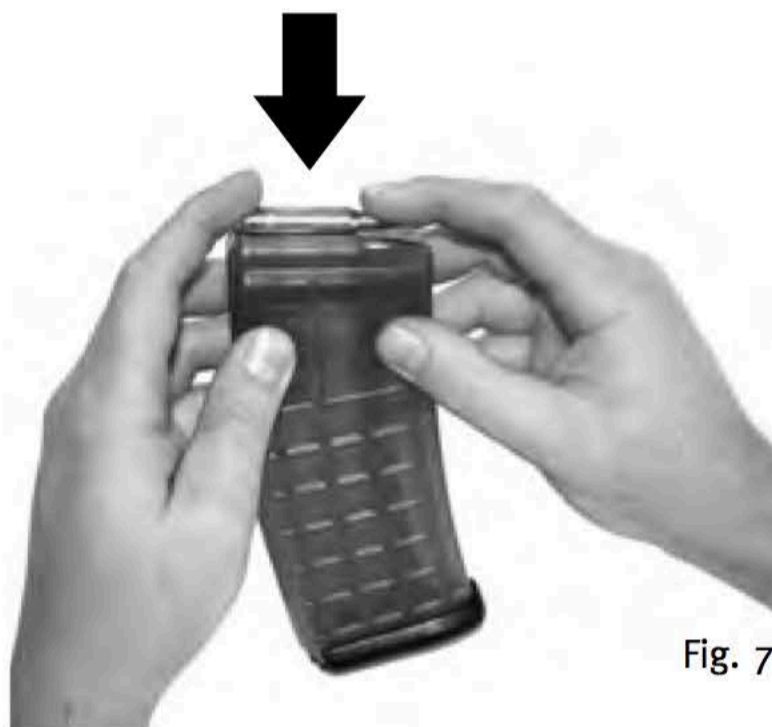


Fig. 7

To load the magazine, press each cartridge down and into the magazine - against the force of the magazine spring.



Fig. 8

To insert the magazine, hold the pistol grip with your right hand and hold the magazine in your left hand. Insert the magazine up and into the magazine well until the magazine release lock catches (indicated by a “click” sound).

If the cocking slide is in the forward position, hold the pistol grip with your right hand and, while keeping your finger off of the trigger and outside of the trigger guard:

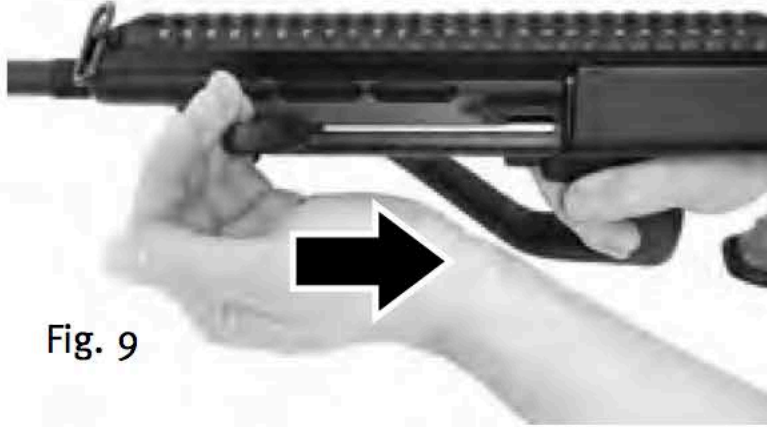


Fig. 9

**⚠ CAUTION** Always pull the cocking slide back with your palm facing up as shown in the accompanying photograph to prevent your knuckles from being cut or scraped on any devices, such as optics, that may be mounted on the Picatinny rail of the receiver.



Fig. 10

(1) pull the cocking slide back with your left hand and lock it in the rear position by turning it clockwise and allowing it to rest on the indentation on the receiver; and



Fig. 11

(2) turn the cocking slide counter-clockwise with the thumb of your left hand and allow the cocking slide and bolt carrier to move forward from the force of the recoil spring.

OR



Fig. 12

If the cocking slide is in the rearward position, either press the top of the bolt release in to release the bolt carrier and return it to the fully forward position.

OR



Fig. 13

Pull the cocking slide fully back and release it, allowing it to return to the fully forward position.

**⚠ WARNING** The STEYR AUG is now loaded and will fire if the trigger is pulled with the safety in the “fire” position.

**NOTICE** Do not hold the cocking slide and “ride” it forward, allow it to go forward by itself from the force of the recoil spring. If the bolt does not close properly either because you “rode” the cocking slide forward instead of allowing it to close by itself from the force of the recoil spring or because of the presence of mud, sand or ice, it can be manually locked into place by using of the cocking slide as a forward assist.



Fig. 14

Using of the cocking slide as a forward assist:

1. Retract the cocking slide approx. 1”.
2. Turn the cocking slide grip inside with your left hand (the cocking slide and the left thrustpiece are connected now).
3. Move cocking slide forward, until the bolt locks (indicated by a “click” sound).

## CHAPTER 3: FIRING

**⚠ WARNING** Before firing your STEYR AUG, pull a clean patch through the barrel, from the chamber end to the muzzle end, using the cleaning string. Repeat this procedure until the patch comes out of the barrel with no gun oil or cleaner-lubricant-preservative on it.

**⚠ WARNING** Always be sure that the barrel of your STEYR AUG is clear of obstructions before firing it. Remove any obstructions before firing your STEYR AUG so that it will function safely and correctly. Any obstruction in the barrel could prevent the STEYR AUG from firing properly and result in death or serious personal injury and damage to the STEYR AUG.

**⚠ WARNING** In case of a failure to fire, continue to hold your STEYR AUG pointed towards the target for at least 30 seconds. If a hang fire (slow ignition) has occurred, the cartridge should fire within approximately 30 seconds. If the cartridge has not fired, remove the magazine, eject the cartridge from the chamber and examine its primer. If the firing pin indentation is light, off-center, or non-existent, have your STEYR AUG examined by STEYR authorized personnel. If the firing pin indentation on the primer appears normal (compared to similar previously fired cartridges) the cartridge may be defective. Separate the cartridge from other live ammunition and empty cases, reload your STEYR AUG and resume firing. NOTE: Dispose of misfired cartridges in accordance with the ammunition manufacturer's instructions.

**⚠ WARNING** Never use your STEYR AUG if it fails to function properly, and never force the bolt closed on a jammed cartridge because it could cause the cartridge to explode.

**⚠ WARNING** Never pull the trigger if the bolt does not fully close to prevent a possible out of battery firing. If this happens, unload the STEYR AUG as described in Chapter 4 and examine the round that was in the chamber and check the chamber to ensure that there are no obstructions or debris in it.

**⚠ WARNING** Always wear safety glasses when firing your STEYR AUG to protect your eyes.

**⚠ WARNING** Always wear ear protection when firing your STEYR AUG to protect your hearing.

**⚠ WARNING** Always be sure that your backstop is adequate to stop and contain bullets before firing so that you do not hit anything outside of the shooting range area. A bullet could travel through or past your target as far as 4 miles (approximately 6km). If in doubt, do not shoot.

**⚠ WARNING** Never shoot at a hard surface, such as a rock, or a liquid surface, such as water, because a bullet may ricochet and travel in any direction, striking you or someone else.

**⚠ CAUTION** Always keep yourself and others clear of the ejection port because spent cartridges are hot and are ejected with enough force to cause injury. Never touch the barrel immediately after firing because it may be hot and could cause burns.

**⚠ CAUTION** Never place your fingers in the ejection port because they could be injured by the movement of the bolt.

**⚠ CAUTION** Never fire your STEYR AUG near an animal unless it is trained to accept that noise. An animal's startled reaction could injure it, or cause an accident.

**NOTICE** Always put a responsible and competent person in charge to maintain safety, discipline and control when a group is firing at a range, to reduce the likelihood of a negligent discharge.

**NOTICE** Always carry your STEYR AUG unloaded with the bolt locked open in the rearward position while on a range until preparing to fire. Always keep the muzzle pointed towards the backstop when loading, firing and unloading it.





Fig. 15

To fire your STEYR AUG when a cartridge is loaded in the chamber, move the safety all the way left into the “fire” position and pull the trigger. To fire another shot, release the trigger and then pull it again. When the last round has been fired, the bolt carrier will remain locked open in the rearward position.

If you pull a cleaning patch that is heavily oiled with a gun cleaning solvent or a cleaner-lubricant-preservative through the barrel, from the chamber end to the muzzle end, immediately after you finish firing your STEYR AUG, it will make the cleaning process described in Chapter 6 easier.

**⚠ WARNING** If you oil the barrel of your STEYR AUG immediately after firing it as described above to make the cleaning process easier, you **MUST** also clean it as described in Chapter 6 before firing it again to remove the oil so that it does not obstruct the barrel leading to possible serious personal injury or death.

## CHAPTER 4: UNLOADING

**⚠ WARNING** It is possible that a cartridge may be in the chamber when a loaded magazine is being removed from, or inserted into, your STEYR AUG. A cartridge in the chamber will discharge when the trigger is pulled when the safety is in the “fire” position, whether or not a magazine is in your STEYR AUG. Therefore, never leave your STEYR AUG unattended, even when the magazine is removed. You must always verify that the chamber is empty before field stripping your STEYR AUG for cleaning or any other reason.

To unload your STEYR AUG, follow the instructions below:

**⚠ WARNING** To ensure that your STEYR AUG is unloaded, you **MUST** follow these steps in this order to ensure that there is no cartridge in the chamber when you have finished unloading.

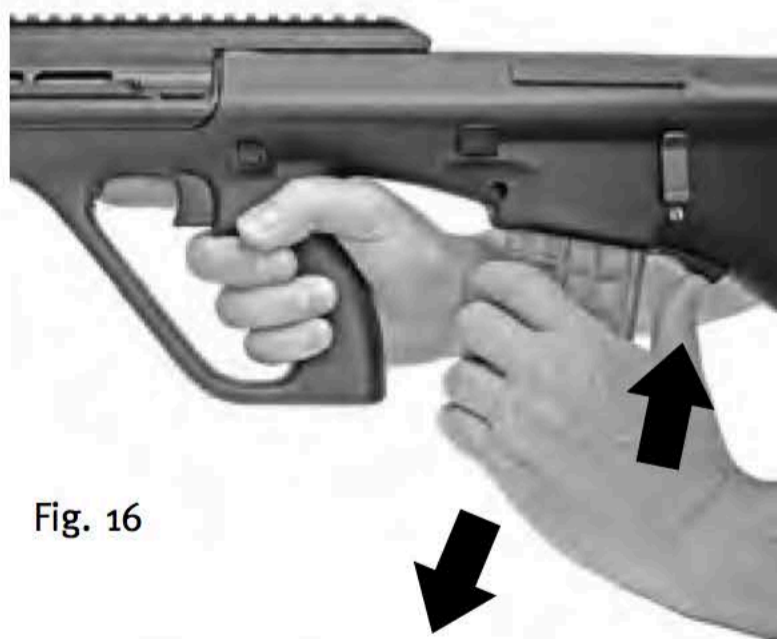


Fig. 16

1. Hold the pistol grip of your STEYR AUG with your right hand with your finger off of the trigger and outside of the trigger guard and, while holding the magazine with your left hand, press the back of the magazine release up with your left thumb;
2. Pull the magazine down and out of the magazine well with your left hand;



Fig. 9

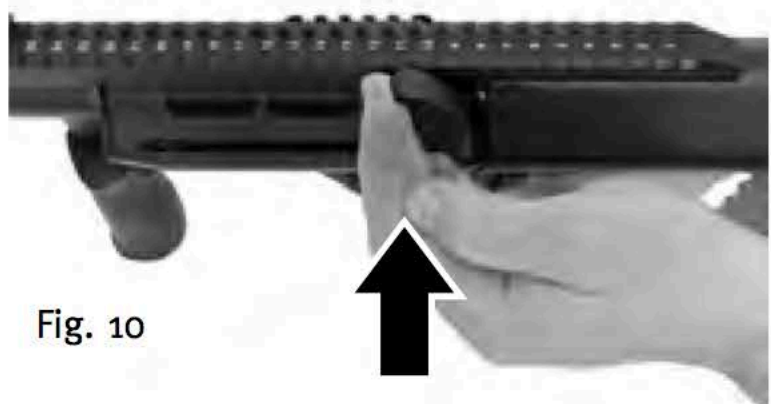


Fig. 10



Fig. 17



Fig. 11

**CAUTION** Always pull the cocking slide back with your palm facing up as shown in the accompanying photograph to prevent your knuckles from being cut or scraped on any devices, such as optics, that may be mounted on the Picatinny rail of the receiver.

3. With your left hand, with your palm facing up, pull the cocking slide back to eject any cartridge that may be in the chamber and lock it in the rear position by turning it clockwise and allowing it to rest on the indentation on the receiver;
4. Visually and manually check to make sure that no cartridge remains in the chamber;
5. Turn the cocking slide counterclockwise with the thumb of your left hand and allow the cocking slide and bolt carrier to move forward from the force of the recoil spring.

## CHAPTER 5: DISASSEMBLY

**⚠ WARNING** It is possible that a cartridge may be in the chamber when a loaded magazine is being removed from, or inserted into, your STEYR AUG. A cartridge in the chamber will discharge when the trigger is pulled when the safety is in the “fire” position, whether or not a magazine is in your STEYR AUG. Therefore, never leave your STEYR AUG unattended, even when the magazine is removed. You must always verify that the chamber is empty before field stripping your STEYR AUG for cleaning or any other reason.

**⚠ WARNING** Never alter or modify your STEYR AUG because this could cause it to malfunction and create a dangerous condition.

**⚠ WARNING** Always wear safety glasses when disassembling your STEYR AUG to protect your eyes from springs.

To disassemble (field strip) your STEYR AUG into its major component groups for cleaning, follow the instructions below:

**⚠ WARNING** To ensure that your STEYR AUG is unloaded, you **MUST** follow these steps in this order when disassembling it to ensure that there is no cartridge in the chamber.

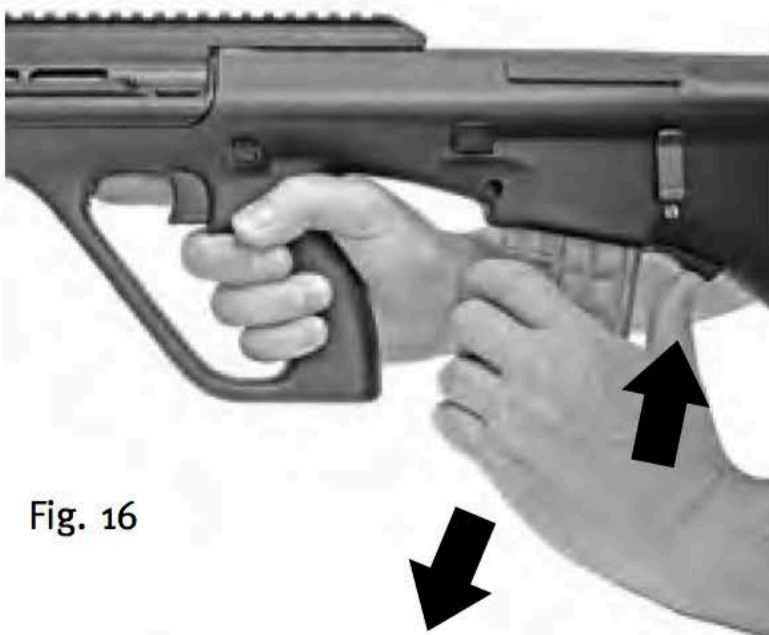


Fig. 16

1. Hold the pistol grip of your STEYR AUG with your right hand with your finger off of the trigger and outside of the trigger guard and, while holding the magazine with your left hand, press the back of the magazine release up with your left thumb;
2. Pull the magazine down and out of the magazine well with your left hand;



Fig. 9

**⚠ CAUTION** Always pull the cocking slide back with your palm facing up as shown in the accompanying photograph to prevent your knuckles from being cut or scraped on any devices, such as optics, that may be mounted on the Picatinny rail of the receiver.

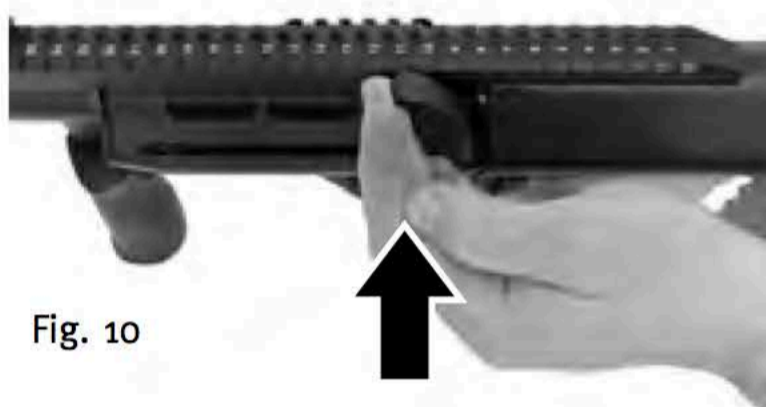


Fig. 10

3. With your left hand, with your palm facing up, pull the cocking slide back to eject any cartridge that may be in the chamber and lock it in the rear position by turning it clockwise and allowing it to rest on the indentation on the receiver;



Fig. 17

4. Visually and manually check to make sure that no cartridge remains in the chamber;



Fig. 18

5. Hold the barrel grip with your left hand and use the thumb of your left hand to push the button of the barrel lock pin down, while turning the barrel grip clockwise and pushing the barrel forward and out of the receiver;



Fig. 11

6. Move the cocking slide forward by turning it counterclockwise with the thumb of your left hand;

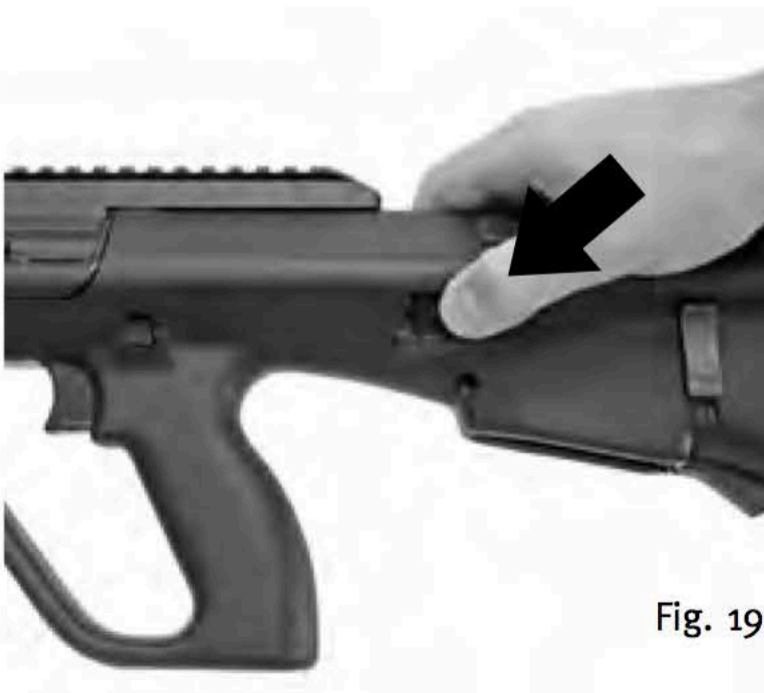


Fig. 19

7. Hold the top of the stock with your left hand push the receiver lock from left to right with the thumb of your right hand;



Fig. 20

8. Pull the receiver and bolt carrier forward and out of the stock;



Fig. 21

9. Hold the receiver in your left hand and pull the bolt carrier forward and out of it with your right hand;



Fig. 22

10. Hold the stock vertically with the butt plate up and press the indentation on the butt plate with the thumb of your right hand, while pressing the retaining bolt on the rear of the stock in with the thumb of your left hand;



Fig. 23

11. Hold the stock with your left hand and pull the butt plate off of the stock with your right hand;

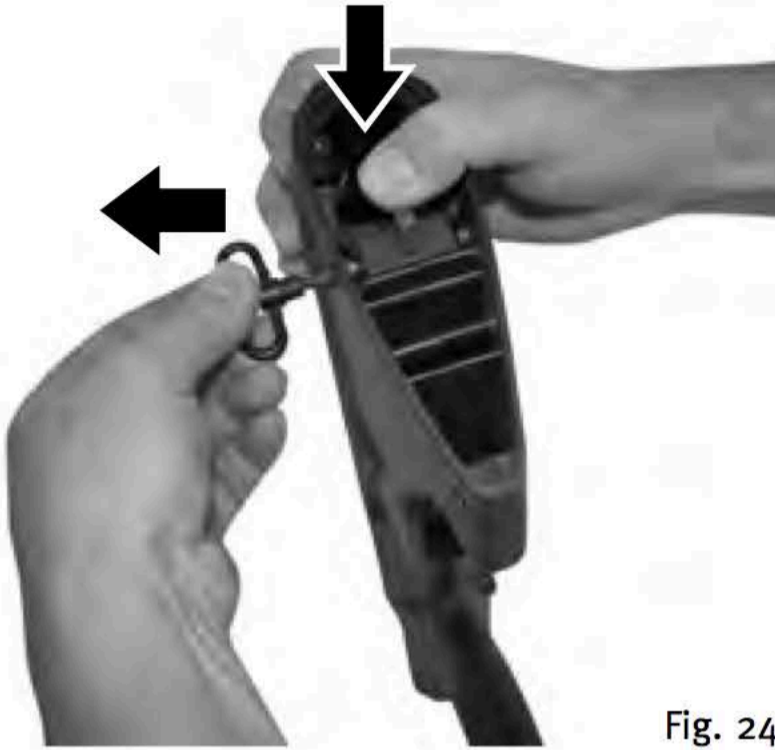


Fig. 24

12. Hold the stock vertically with the butt plate up and press the retaining bolt lock in with the thumb of your right hand and pull out the retaining bolt of the stock with your left hand;

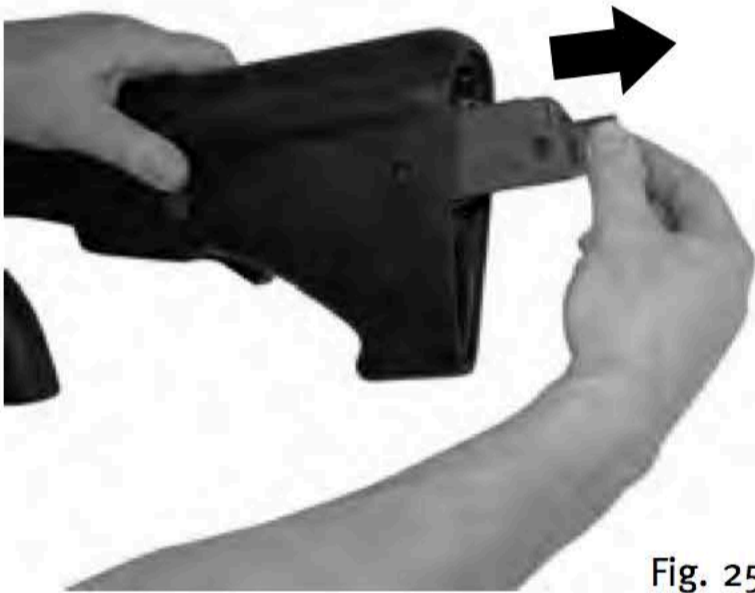


Fig. 25

13. Hold the stock with your left hand and pull the trigger mechanism out of the stock with your right hand.



To field strip the gas operating system, follow the instructions below:



Fig. 26

1. Hold the barrel with your left hand;
2. Press the pressure piece of the gas regulator in, while turning it clockwise until its slot is in the same position as the nose of the gas cylinder;



Fig. 27

3. Take the gas regulator out;



Fig. 28

4. Use the right thrustpiece of the bolt carrier to press the gas piston out;



Fig. 29

5. Pull the gas piston and gas piston spring out.

To field strip the bolt carrier, follow the instructions below:

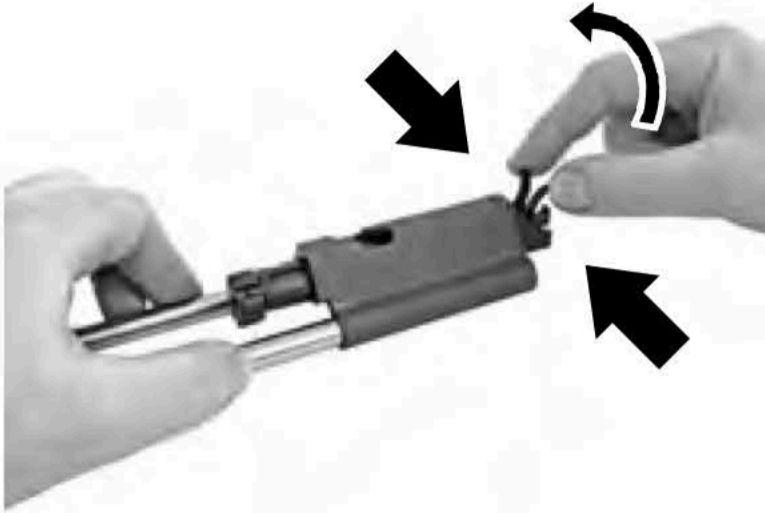


Fig. 30

1. Press the two wings of the anti-turn device together and turn it upwards;

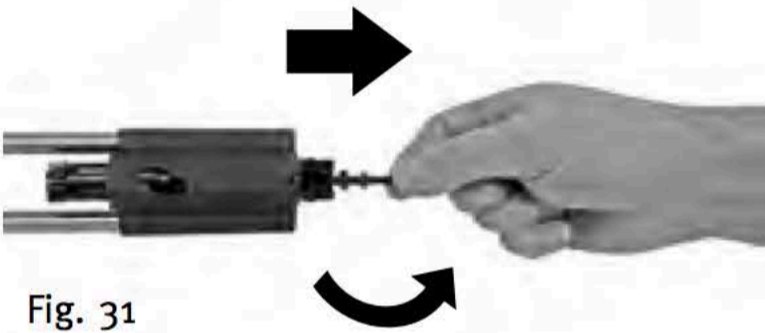


Fig. 31

2. Turn the firing pin counterclockwise with the thumb and index finger of your right hand until it pops out by its own force;

3. Pull the firing pin out of the bolt;



Fig. 32

4. Press the bolt slightly back with the thumb of your left hand while pressing the control bolt down with your right index finger;

5. Release the pressure on the bolt from your left thumb;



Fig. 33

6. Hold the bolt carrier with your left hand and pull the bolt and locking piece with spring and sleeve forward and out of the bolt carrier with your right hand;

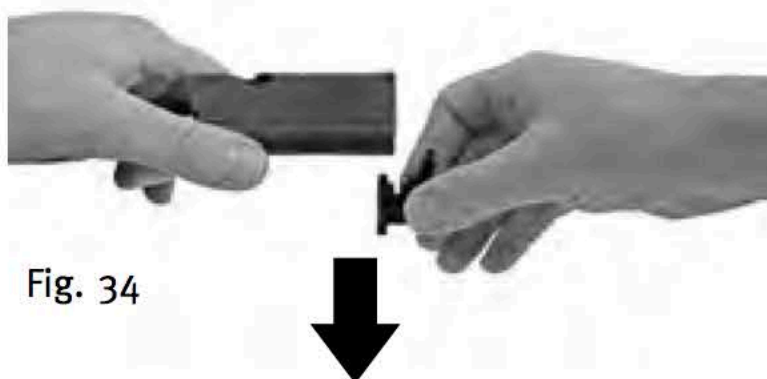


Fig. 34

7. Hold the bolt carrier with your left hand and pull the cocking piece down and out of the bolt carrier with your right hand.

To field strip the magazine, follow the instructions below:

**NOTICE** The magazine should not be disassembled unless necessary, and does not need to be disassembled for the normal cleaning of the STEYR AUG.



Fig. 35



Fig. 36

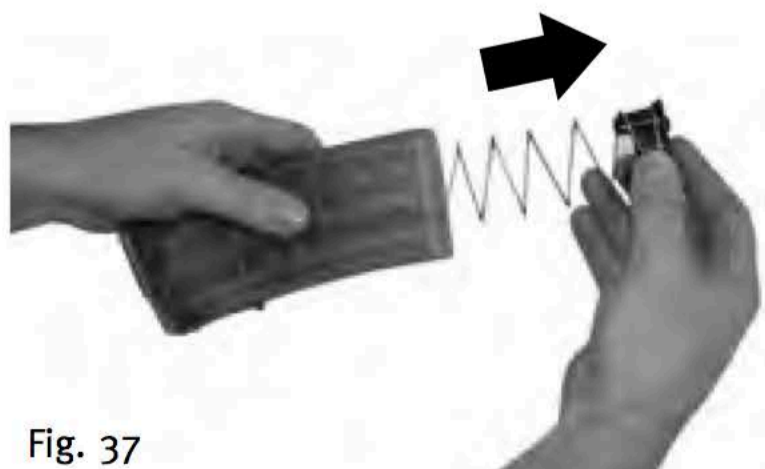


Fig. 37

1. Hold the magazine in your left hand with the base plate on top;

2. Insert the tip of a cartridge or the cleaning patch holder into one of the holes in the base plate of the magazine and press the retainer in, while beginning to pull the base plate forward and off of the magazine body with your right hand;

3. While continuing to pull the base plate forward and off of the magazine body, keep the retainer pressed in the magazine body with the index finger of your left hand;

4. Support the retainer with your right hand and allow the force of the magazine spring to push it out of the magazine body;

5. Pull the retainer, magazine spring and follower out of the magazine body with your right hand.

**⚠ WARNING** Never further disassemble your STEYR AUG. Any further disassembly must be performed by STEYR authorized personnel.

**To change the stock of your STEYR AUG from right hand to left hand ejection, follow the instructions below:**



Fig. 38



Fig. 39

1. Use your right hand to lift the front of the outside ejection lid slightly with a screwdriver while pushing the back of it forward with your left thumb;
2. Pull the ejection lid off of the stock;
3. The inside ejection lid will drop down into the stock and can be removed through the magazine well or ejection port;
4. From within the stock, insert the inside ejection lid into the ejection port on the right side of the stock;
5. Slide the outside ejection lid onto the inside ejection lid on the right side of the stock until it engages.

## CHAPTER 6: PREVENTATIVE MAINTENANCE

**⚠ WARNING** Always be sure that the barrel of your STEYR AUG is clear of obstructions before firing it. Remove any obstructions before firing your STEYR AUG so that it will function safely and correctly. Any obstruction in the barrel could prevent the STEYR AUG from firing properly and result in death or serious personal injury and damage to the STEYR AUG.

**⚠ WARNING** It is possible that a cartridge may be in the chamber when a loaded magazine is being removed from, or inserted into, your STEYR AUG. A cartridge in the chamber will discharge when the trigger is pulled when the safety is in the “fire” position, whether or not a magazine is in your STEYR AUG. Therefore, never leave your STEYR AUG unattended, even when the magazine is removed. You must always verify that the chamber is empty before field stripping your STEYR AUG for cleaning or any other reason.

**⚠ WARNING** Always wear safety glasses when cleaning your STEYR AUG to protect your eyes from cleaning materials.

**⚠ WARNING** Always make sure that no ammunition is located in the area where you clean your STEYR AUG. Cleaning solvents can affect the primer and powder in ammunition and cause it to malfunction. This could result in a bullet being pushed into the barrel of your STEYR AUG and getting stuck. Firing another round with a bullet stuck in the barrel could cause the barrel to burst and result in death or serious personal injury, in addition to damaging your STEYR AUG.

## Main parts for cleaning.



Fig. 2

Clean and lubricate the main parts of your STEYR AUG after you fire it or whenever it becomes exposed to sand, dust or water (including humidity or condensation). Proper maintenance is important to ensure that your STEYR AUG functions correctly. To clean your STEYR AUG, first disassemble it according to the instructions in Chapter 5. Always use cleaning patches and brushes of the proper size for the caliber of your STEYR AUG.

After you have disassembled your STEYR AUG, clean it as follows using the included cleaning kit (stored in the rear of the stock):

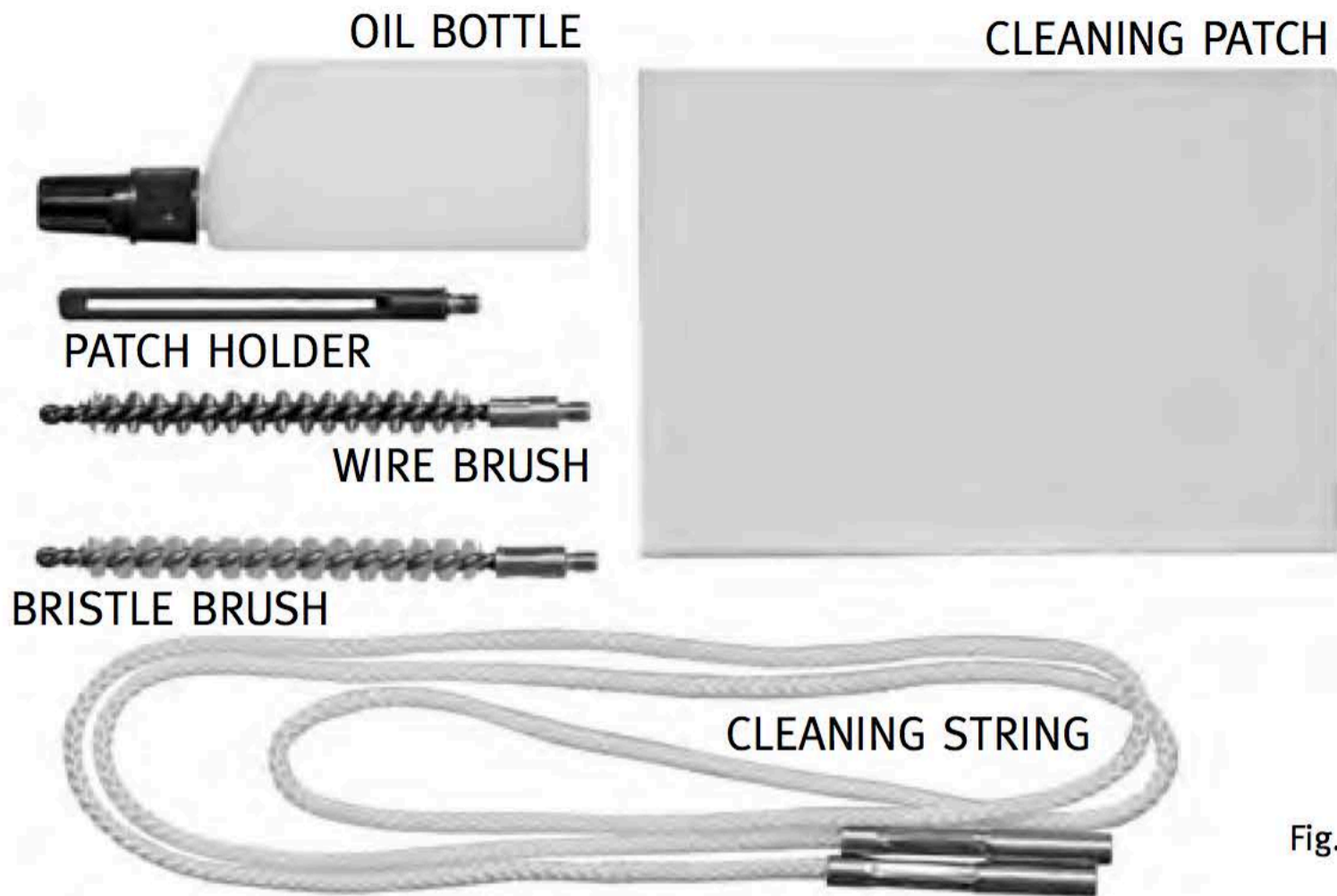


Fig. 40

### Clean the inside of the barrel as follows:

1. Screw the patch holder onto the threaded end of the cleaning string. Insert a cleaning patch into the patch holder. Wet the cleaning patch with a gun cleaning solvent or a cleaner-lubricant-preservative and pull it through the barrel, from the chamber end to the muzzle end, several times until the barrel is clean. If necessary, replace the dirty cleaning patch with a new one during this process;
2. Unscrew the patch holder from the cleaning string and screw the bristle brush on instead. Slightly wet the bristle brush and pull it through the barrel once, from the chamber end to the muzzle end. If the barrel is extremely dirty, such as when it has been fired many times without having been cleaned, use the wire brush instead of the bristle brush;
3. Unscrew the bristle brush from the cleaning string and screw the patch holder back on. Wet another cleaning patch with a gun cleaning solvent or a cleaner-lubricant-preservative and pull it through the barrel once, from the chamber end to the muzzle end, and examine it. If it is not clean, repeat steps two and three until the patch remains clean after being run through the barrel;



4. Pull a clean patch through the barrel once, from the chamber end to the muzzle end;
5. Lightly wet a clean patch with gun oil or a cleaner-lubricant-preservative and pull it through the barrel once, from the chamber end to the muzzle end;
6. Before firing your STEYR AUG, pull a clean patch through the barrel once, from the chamber end to the muzzle end. Repeat this procedure until the patch comes out of the barrel with no gun oil or cleaner-lubricant-preservative on it.

**NOTICE** If you will be storing your STEYR AUG, do not perform step 6 until you are ready to fire it.

### **Clean the gas cylinder, gas piston, gas piston spring and gas regulator as follows:**

1. Wet a cleaning patch or a soft rag with a gun cleaning solvent or a cleaner-lubricant-preservative and wipe the gas cylinder, gas piston, gas piston spring and gas regulator to remove any dirt or residue;
2. Wipe the areas dry with a clean patch and examine it. If it is not clean, repeat steps one and two until the patch remains clean;
3. Clean the holes in the gas regulator using a piece of soft wood.

**NOTICE** Do not use a metal item to clean the holes in the gas plug head because it could damage them.

Clean the plastic parts and the trigger mechanism of the STEYR AUG using a cleaning patch or soft rag. If necessary, water may be used to clean the plastic parts of the STEYR AUG.

Clean the metal parts of the STEYR AUG with a cleaning patch or soft rag.

**NOTICE** Do not use water to clean the metal parts of the STEYR AUG.

Certain metal parts of the STEYR AUG should be oiled using a gun oil or cleaner-lubricant-preserved as follows:

Fig. 41



1. Apply 2 drops of oil onto the rings of the gas piston;

Fig. 42



2. Apply 2 drops of oil onto the blank area of the gas regulator;

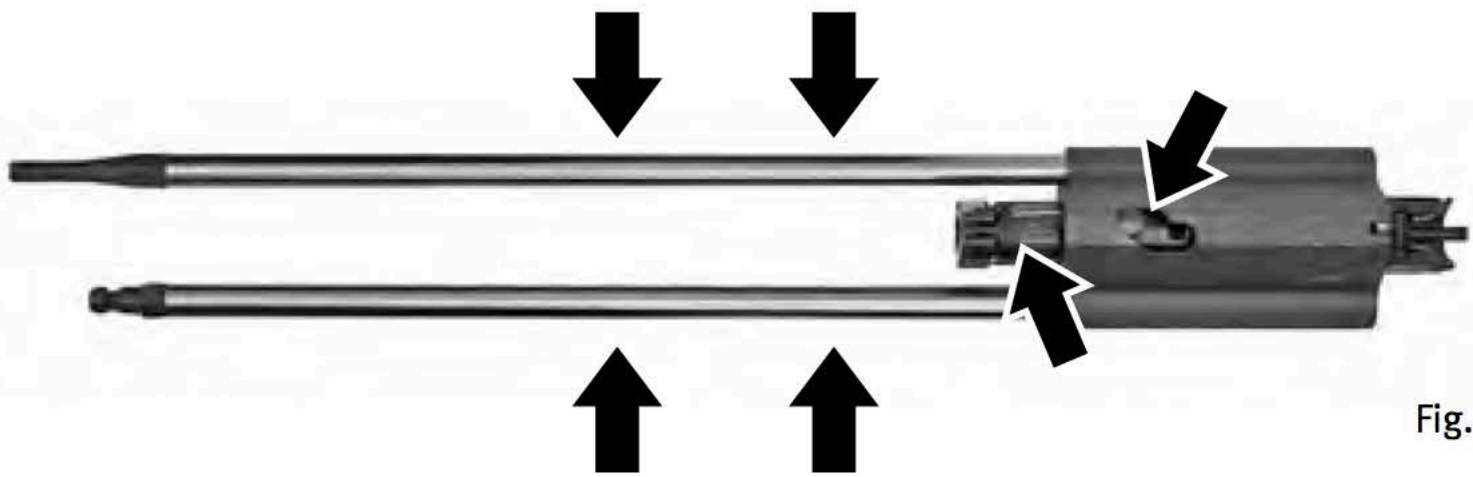


Fig. 43

3. Apply 2 drops of oil onto both of the bolt guide rods;
4. Apply 2 drops of oil between the control bolt and control slot;
5. Apply 1 drop of oil onto the locking piece;
6. Apply a very thin coat of oil to the metal surfaces on the outside of the STEYR AUG;

**CAUTION** Do not over lubricate your STEYR AUG because too much lubricant can collect unburned powder and other debris and prevent your STEYR AUG from functioning properly.

**NOTICE** After you have completed cleaning your STEYR AUG, reassemble it as described in Chapter 7.

## CHAPTER 7: REASSEMBLY

**⚠ WARNING** Always wear safety glasses when reassembling your STEYR AUG to protect your eyes from springs.

To reassemble your STEYR AUG after cleaning it, follow the instructions below.

**To assemble the magazine, follow the instructions below:**

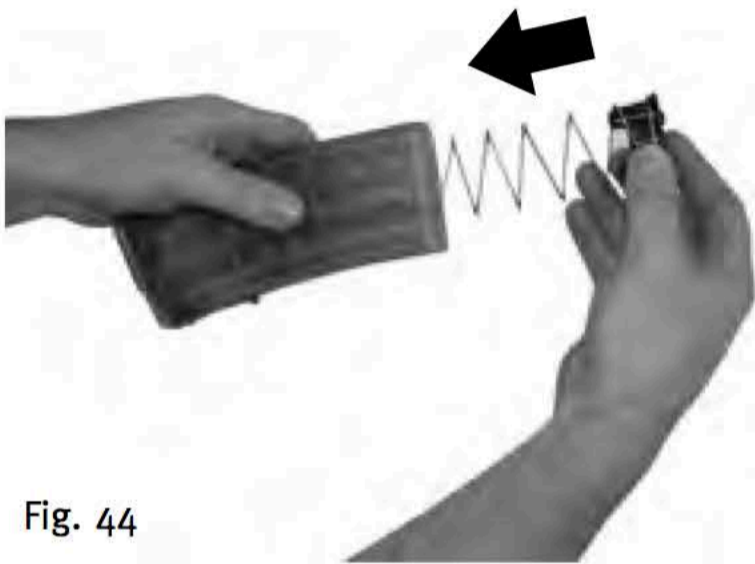


Fig. 44

1. Hold the magazine body with your left hand, with the bottom upwards;
2. Insert the follower, magazine spring and retainer into the magazine body;

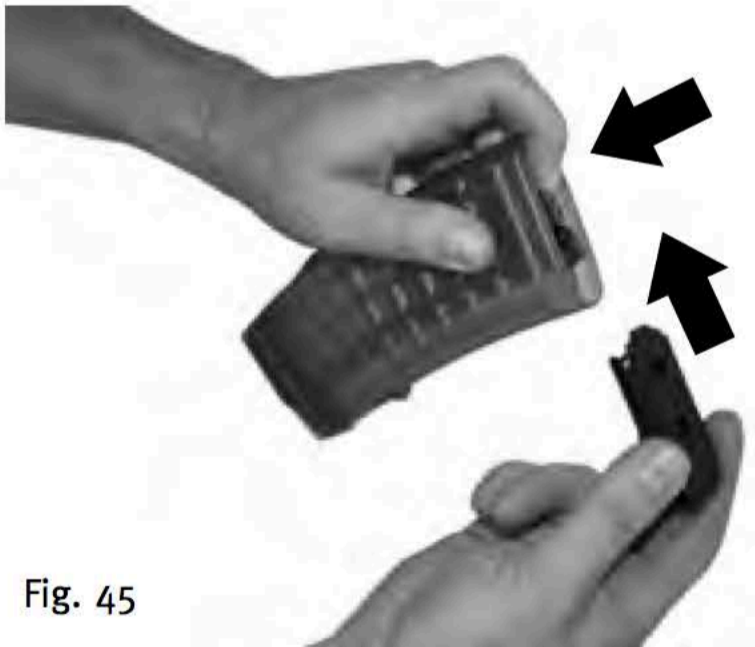


Fig. 45

3. Press the retainer into the magazine body and while holding it in with your left index finger, slide the base plate onto the magazine body from front to back with your right hand.

To assemble the bolt carrier, follow the instructions below:

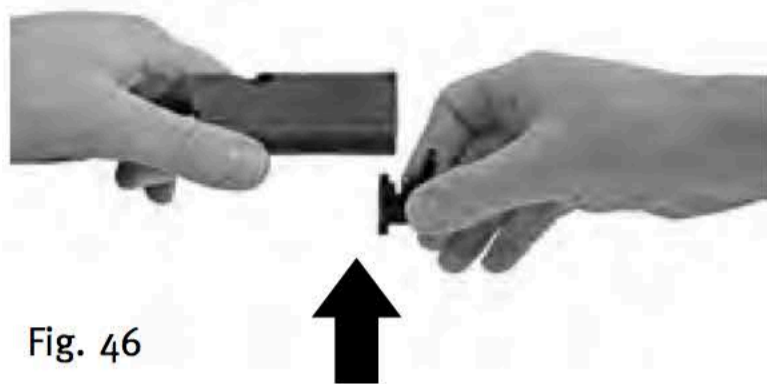


Fig. 46

1. Hold the bolt carrier in your left hand;
2. Insert the cocking piece into the rear of the bolt carrier with your right hand;



Fig. 47

3. Hold the bolt with your left hand and insert the locking piece with spring and sleeve onto the bolt with your right hand;

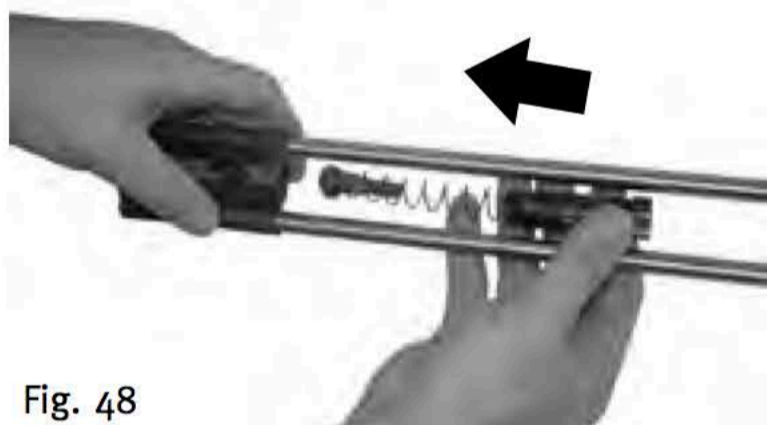


Fig. 48

4. Hold the bolt carrier with your left hand and slide the bolt into the bolt carrier, with the sleeve and spring first and the extractor on the right side, with your right hand;

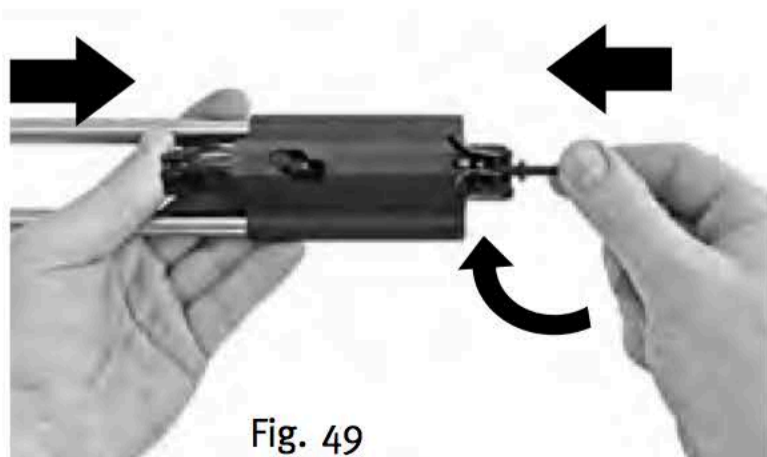


Fig. 49

5. Hold the bolt carrier with your left hand and press the bolt into the bolt carrier with your left thumb, while inserting the firing pin into the rear of the bolt carrier with your right hand until you hear a “click” and the firing pin jumps automatically into its locked position;

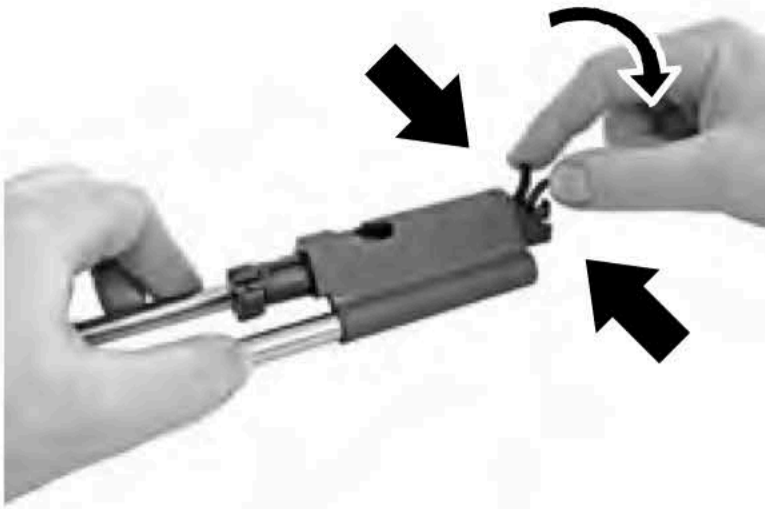


Fig. 50

6. Press the two wings of the anti-twist device together and turn it downwards.

**To assemble the gas operating system, follow the instructions below:**

1. Hold the barrel with your left hand;



Fig. 51

2. Insert the gas piston into the gas piston spring;



Fig. 52

3. Insert the gas piston and gas piston spring into the opening on the barrel and press them fully into it so that they are no longer visible from the side;



4. Insert the gas regulator into the opening on the barrel behind the gas piston and spring, with the slot lined up with the nose of the gas cylinder;



5. Push the gas regulator in while turning it counterclockwise into position one.

**NOTICE** The gas regulator has two positions. Position one, which is used under normal conditions, is indicated by a small dot at the gas cylinder. Position two, which is used under adverse conditions, such as cold weather or when the STEYR AUG is dirty, is indicated by a big dot at the gas cylinder.

To assemble the major component groups of your STEYR AUG, follow the instructions below:

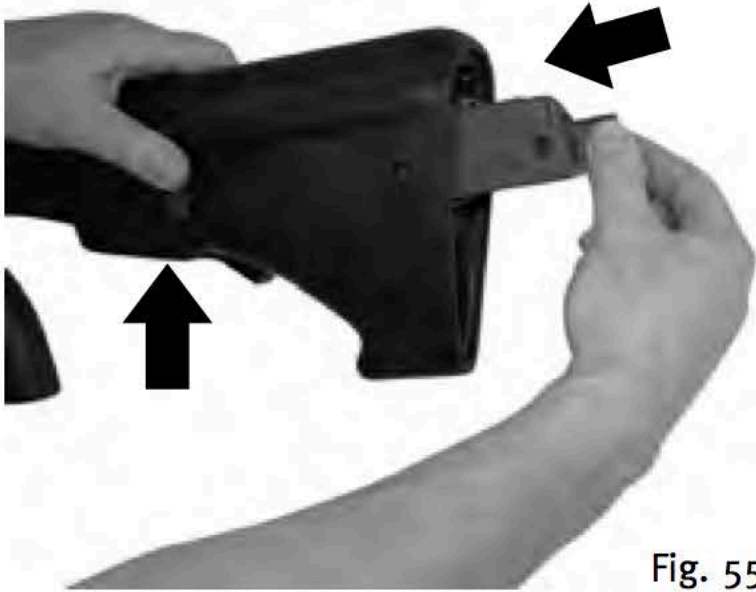


Fig. 55

1. Hold the stock with your left hand and press the top of the bolt release lever against the stock with your left thumb;
2. Insert the trigger mechanism (the hammer must be cocked) into the rear of the stock with your right hand;

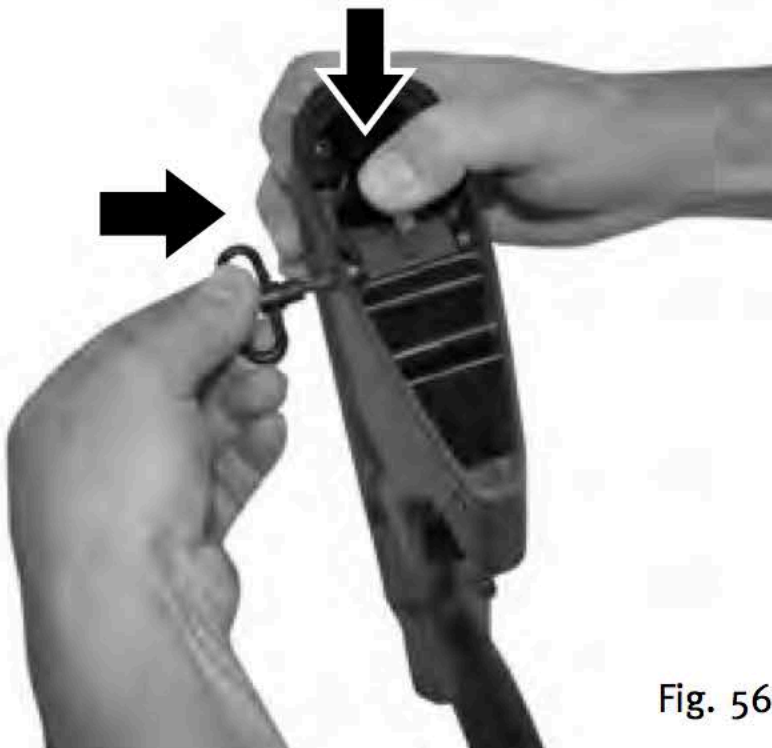


Fig. 56

3. Press the retaining bolt lock in with your right thumb;
4. Press the retaining bolt completely into the stock with your left hand;



Fig. 57

5. Insert the butt plate into the stock with the little nose of the stock inserted into the slot of the butt plate;



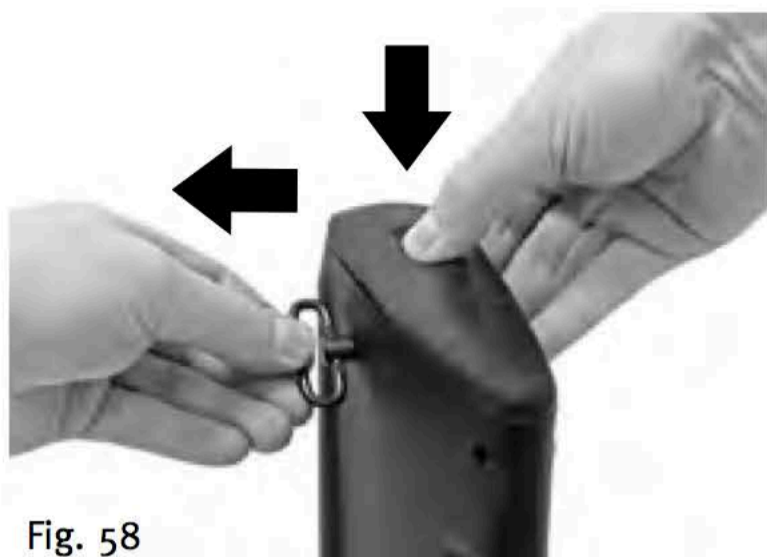


Fig. 58

6. Press down on the butt plate with your right thumb, while pulling the retaining bolt partially out of the stock with your left hand until you hear a “click”;



Fig. 59

7. Hold the receiver with your left hand and slide the bolt carrier into it with your right hand;



Fig. 60

8. Hold the stock with your right hand and slide the receiver and bolt carrier into the stock with your left hand;



Fig. 61

9. While pressing the receiver and bolt carrier into the stock with your left hand, press the housing lock from right to left with the thumb of your right hand, until you hear a “click”;

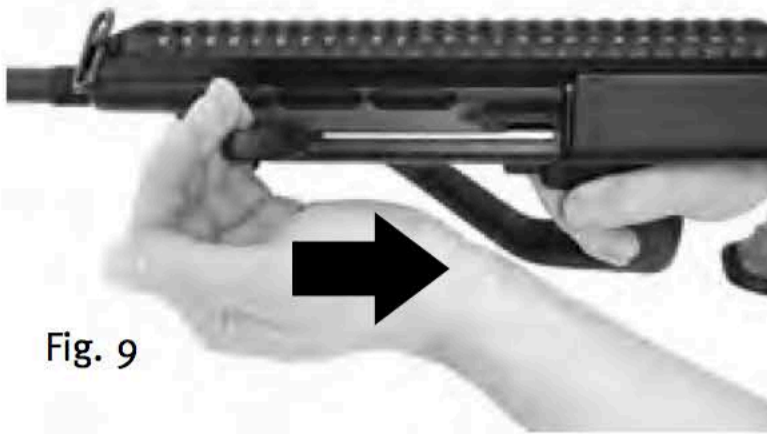


Fig. 9

**CAUTION** Always pull the cocking slide back with your palm facing up as shown in the accompanying photograph to prevent your knuckles from being cut or scraped on any devices, such as optics, that may be mounted on the Picatinny rail of the receiver.



Fig. 62

10. Hold the pistol grip with your right hand, and pull the cocking slide to the rear, with your left hand, with your palm facing up and lock it in the rear position by turning it clockwise and allowing it to rest on the indentation on the receiver;



Fig. 63

11. Hold the barrel in your left hand and slide it into the receiver, with the forward pistol grip angled to a position of about a quarter to seven o'clock;



Fig. 11

12. While pressing the barrel into the receiver with your left hand, turn the barrel counterclockwise until it is fixed;

13. Move the cocking slide forward by turning it counterclockwise with the thumb of your left hand;

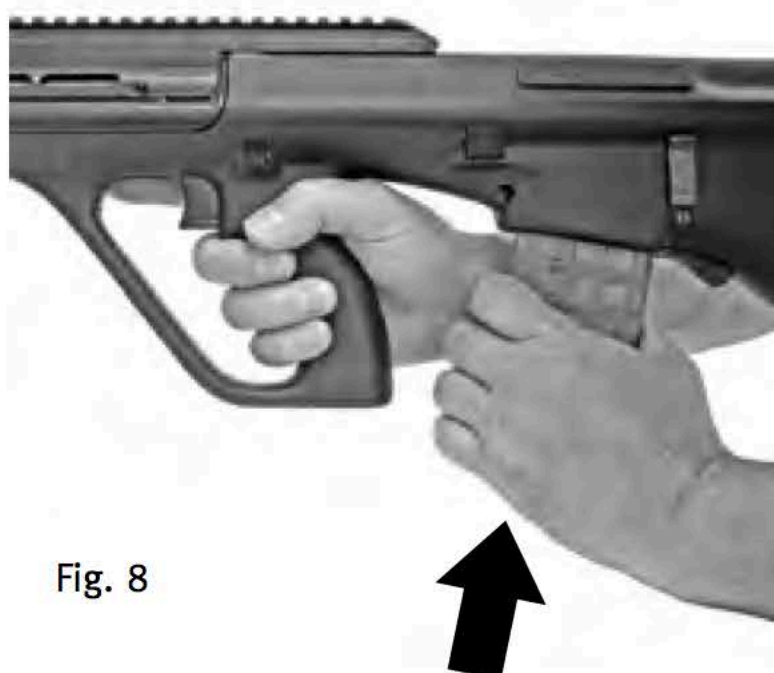


Fig. 8

14. Insert the magazine up and into the magazine well with your left hand until the magazine release lock catches (indicated by a “click” sound).

**After assembling your STEYR AUG, check to ensure that it is functioning correctly as follows:**



Fig. 16

1. Hold the pistol grip of your STEYR AUG with your right hand with your finger off of the trigger and outside of the trigger guard and, while holding the magazine with your left hand, press the back of the magazine release up with your left thumb;
2. Pull the magazine down and out of the magazine well with your left hand;



Fig. 9

**⚠ CAUTION** Always pull the cocking slide back with your palm facing up as shown in the accompanying photograph to prevent your knuckles from being cut or scraped on any devices, such as optics, that may be mounted on the Picatinny rail of the receiver.



Fig. 10



Fig. 11



Fig. 64

3. With your left hand, with your palm facing up pull the cocking slide back and lock it in the rear position by turning it clockwise and allowing it to rest on the indentation on the receiver;
4. Turn the cocking slide counter-clockwise with the thumb of your left hand and allow the cocking slide and bolt carrier to move forward from the force of the recoil spring;
5. Check to see if the bolt has locked completely;



Fig. 6

6. Push the safety all the way left into the “fire” position;



Fig. 15

7. Pull the trigger (you should hear a “click” from the hammer hitting the firing pin);



Fig. 5

8. Push the safety all the way right into the “safe” position;



Fig. 65

9. Try to pull the trigger (it should not move).

## CHAPTER 8: CORRECTING MALFUNCTIONS

### Trouble feeding and loading ammunition.

Possible Cause	Solution
Magazine is inserted wrong.	Remove the magazine and reinsert it. Listen for an audible “click” when the magazine catch locks in place.
Magazine is damaged.	Examine the magazine and replace it with a new one if it is damaged.
Magazine is dirty.	Examine the magazine and clean it if it is dirty.
Insufficient gas pressure.	Move the gas regulator to position two (indicated by a big dot at the gas cylinder).
Chamber is dirty.	Examine the chamber and clean it if it is dirty.
Defective or dirty cartridge.	Dispose of the cartridge and use a new one. Examine the chamber and clean it if it is dirty.

### Bolt does not lock completely.

Possible Cause	Solution
Chamber or bolt is dirty.	Examine the chamber and bolt and clean them if they are dirty.
Defective cartridge.	Dispose of the cartridge and use a new one.
Extractor is jammed.	Clean and oil the chamber and extractor.

**Misfire.**

<b>Possible Cause</b>	<b>Solution</b>
Defective cartridge.	Dispose of the cartridge and use a new one.
Dirty bolt.	Clean and oil the bolt.
Broken firing pin.	Contact STEYR ARMS, Inc. to have your STEYR AUG serviced.
Broken trigger mechanism.	Contact STEYR ARMS, Inc. to have your STEYR AUG serviced.

**Trouble extracting.**

<b>Possible Cause</b>	<b>Solution</b>
Extractor is jammed.	Clean and oil the extractor.
Broken extractor.	Contact STEYR ARMS, Inc. to have your STEYR AUG serviced.
Weak extractor spring.	Contact STEYR ARMS, Inc. to have your STEYR AUG serviced.

**Trouble ejecting (cartridge is extracted from the chamber, but not ejected).**

<b>Possible Cause</b>	<b>Solution</b>
Broken ejector.	Contact STEYR ARMS, Inc. to have your STEYR AUG serviced.

## CHAPTER 9: PRODUCT SERVICE

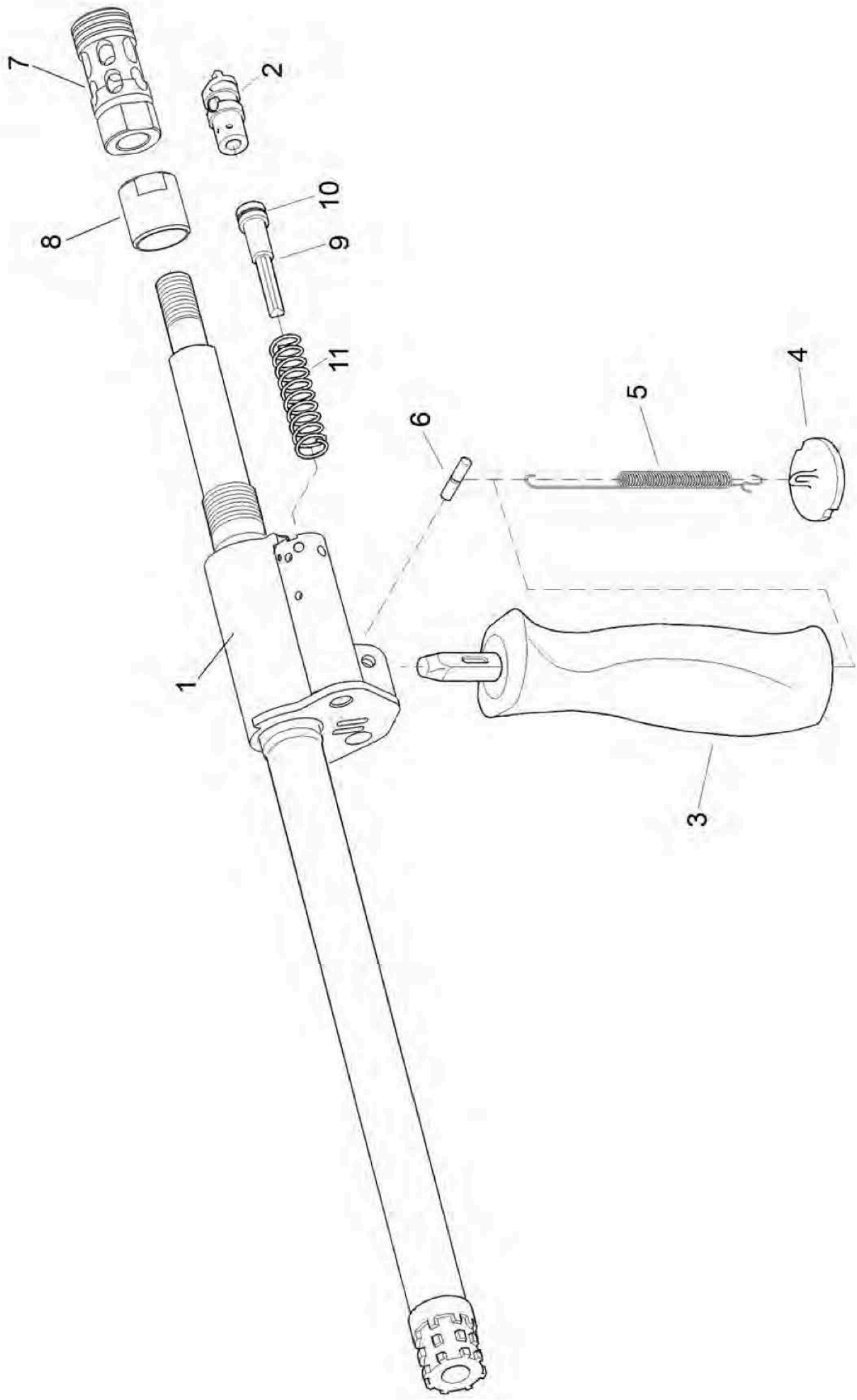
Because of the complexity of the terms of the Magnuson-Moss Warranty Act, STEYR ARMS, Inc. has chosen not to offer an express warranty. STEYR ARMS, Inc. still remains committed to its customers and stands behind the quality of its products. If your STEYR AUG requires service, write to STEYR ARMS, Inc. at 2530 Morgan Road Bessemer, AL 35022 or call (205) 417-8644 for instructions on how to return your STEYR AUG. Do not return your STEYR AUG for service without prior authorization.

The implied warranties of merchantability and fitness for a particular purpose are expressly disclaimed. STEYR ARMS, Inc. will not be responsible for any damage or injury caused by disassembly of the STEYR AUG beyond the field stripping described in Chapter 5 of this Owner's Manual, alterations or modifications to the STEYR AUG, or the use of reloaded or hand loaded ammunition, or ammunition of a different caliber than your STEYR AUG.



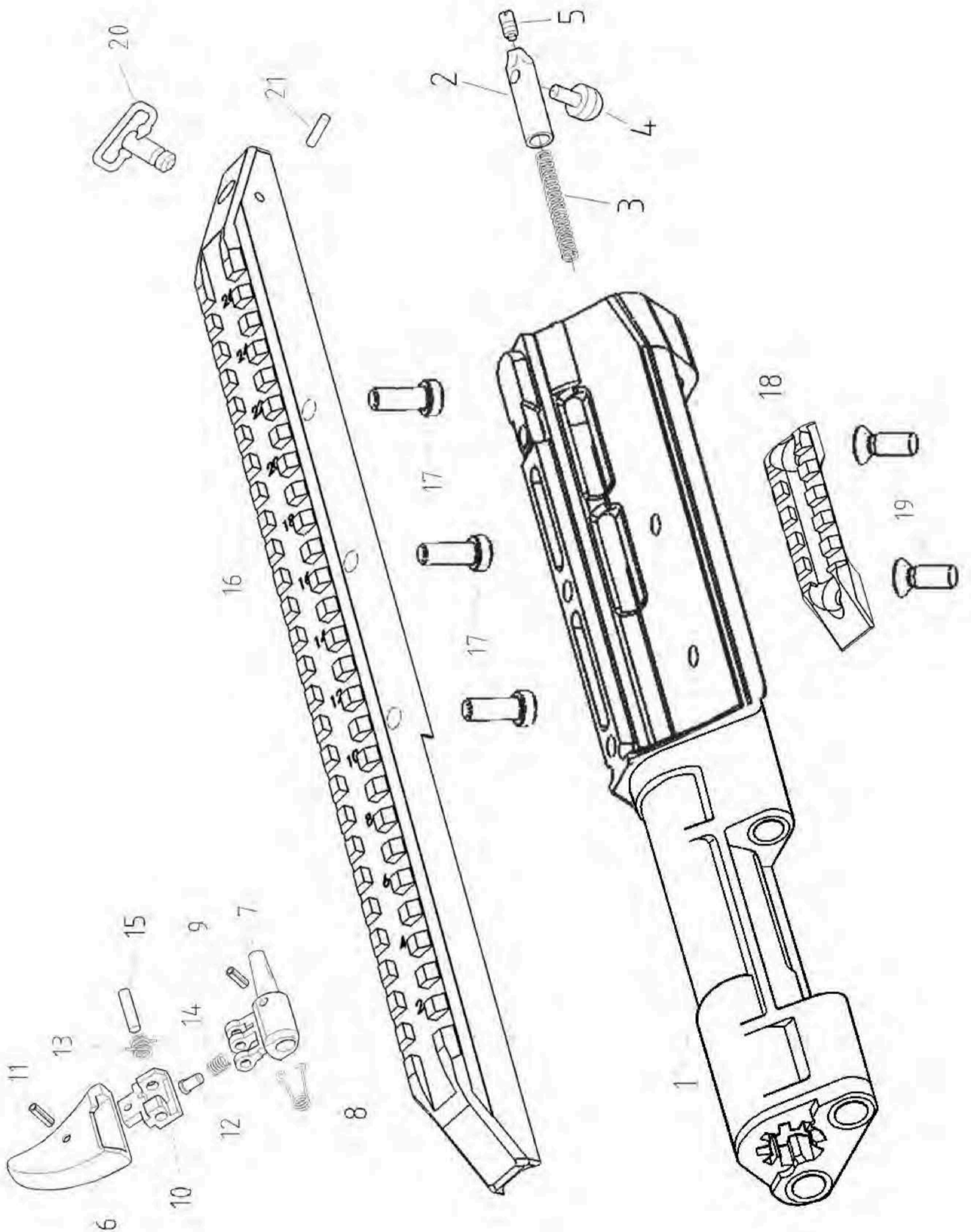
## CHAPTER 10: TECHNICAL SPECIFICATIONS

Caliber .....	5.56x45mm (.223 Rem.)
Length.....	28.15" / 715 mm
Height (without magazine) .....	9.37" / 238 mm
Height (with 30 round magazine).....	11.06" / 281 mm
Weight (without magazine).....	7.8 lbs. / 3.55 kg.
Barrel length .....	16 inches / 407 mm
Rifling.....	6 grooves, 1 turn right in 9" / 228.6 mm
Magazine capacity .....	30 rounds (42 rounds optional)
Weight of empty magazine (30 round) .....	4.27 oz. / 0.12 kgs



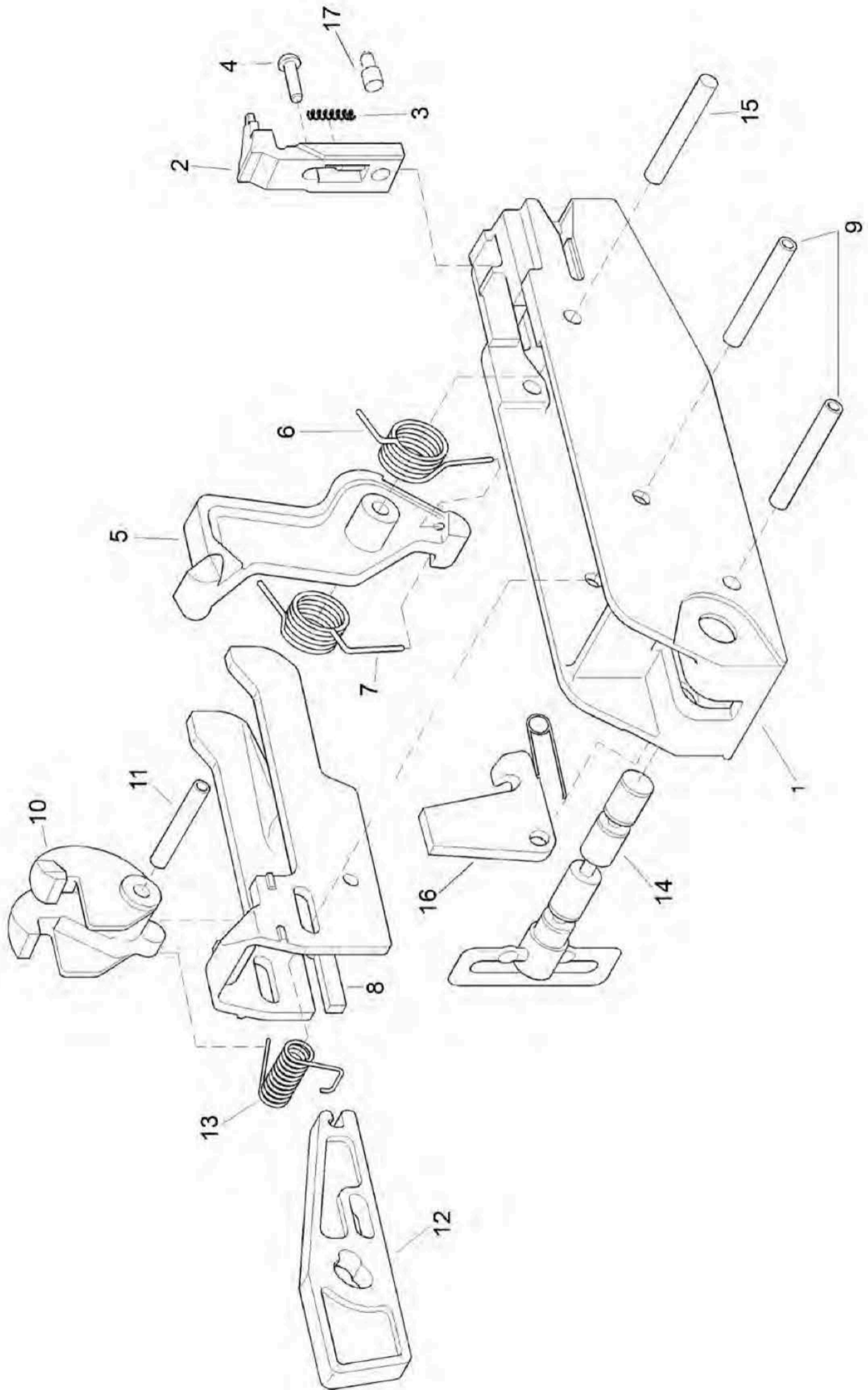
## CHAPTER 11: PARTS LIST

ITEM	DESCRIPTION	QUANTITY
<b>BARREL GROUP</b>		
1.	BARREL, SUB-ASSY.	1 pcs.
2.	GAS REGULATOR, SUB-ASSY	1 pcs.
3.	BARREL GRIP 9011, SUB-ASSY.	1 pcs.
4.	LID, BARREL GRIP 9011	1 pcs.
5.	SPRING, BARREL GRIP	1 pcs.
6.	PIN	1 pcs.
7.	MUZZLE ATTACHMENT	1 pcs.
8.	NUT	1 pcs.
9.	GAS PISTON	1 pcs.
10.	RING, GAS PISTON	3 pcs.
11.	SPRING, GAS PISTON	1 pcs.



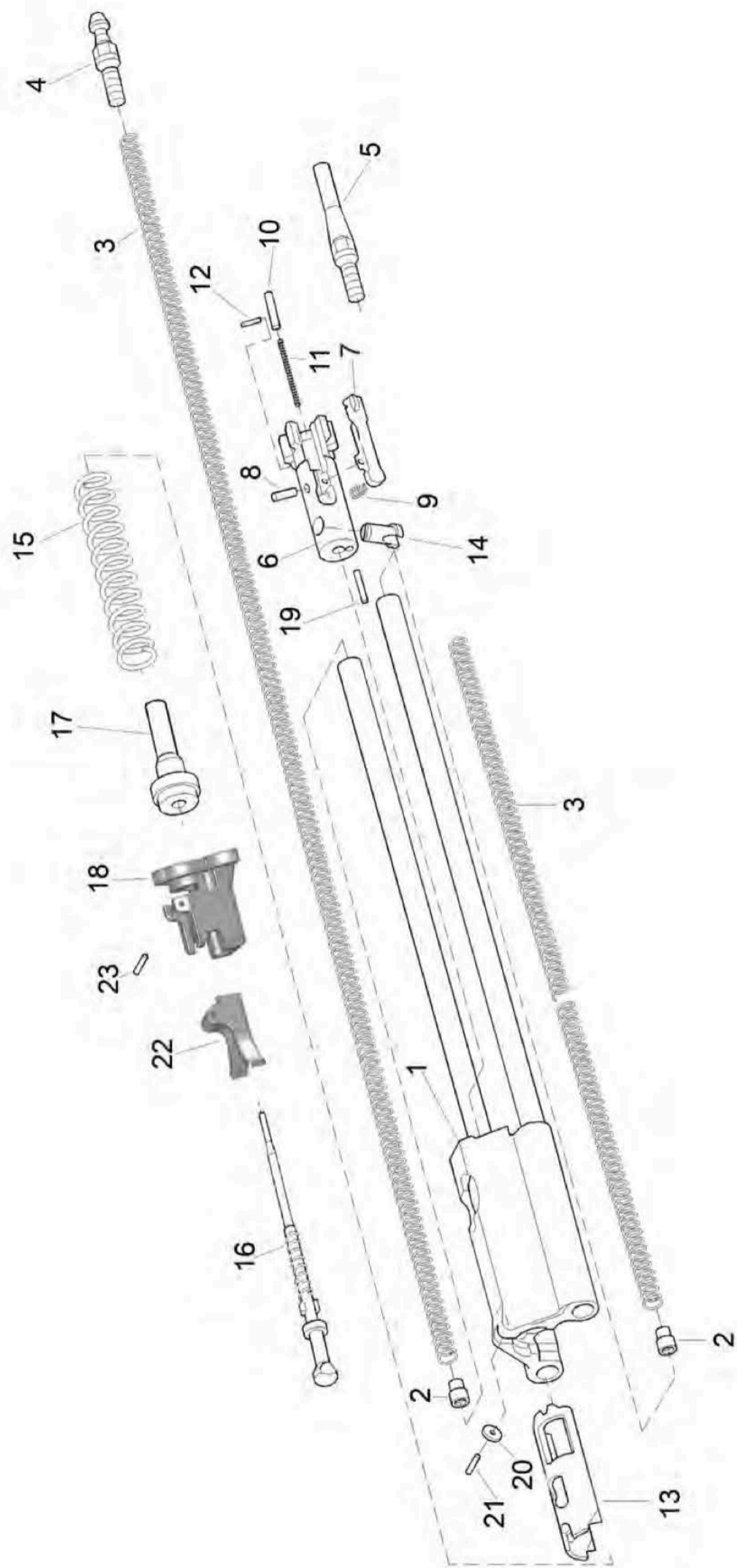
## CHAPTER 11: PARTS LIST

ITEM	DESCRIPTION	QUANTITY
<b>RECEIVER GROUP</b>		
1	RECEIVER A3 SA, SUB-ASSY.	1 pcs.
2	PIN, BARREL LOCK	1 pcs.
3	SPRING, PIN BARREL LOCK	1 pcs.
4	BUTTON, SUB-ASSY., BLACK	1 pcs.
5	GRUB SCREW	1 pcs.
6	GRIP, SLIDE COCKING, BLACK	1 pcs.
7	BODY, SLIDE COCKING	1 pcs.
8	SPRING, SLIDE COCKING	1 pcs.
9	PIN	1 pcs.
10	LINK PIECE	1 pcs.
11	PIN	1 pcs.
12	CONNECTING BOLT	1 pcs.
13	SPRING, SLIDE COCKING	1 pcs.
14	SPRING, CONNECTING BOLT	1 pcs.
15	PIN	1 pcs.
16	PICATINNY RAIL AUG A3	1 pcs.
17	SCREW	3 pcs.
18	PICATINNY RAIL SHORT	1 pcs.
19	SCREW	2 pcs.
20	SLING SWIVEL FRONT, SUB-ASSY.	1 pcs.
21	PIN	1 pcs.



## CHAPTER 11: PARTS LIST

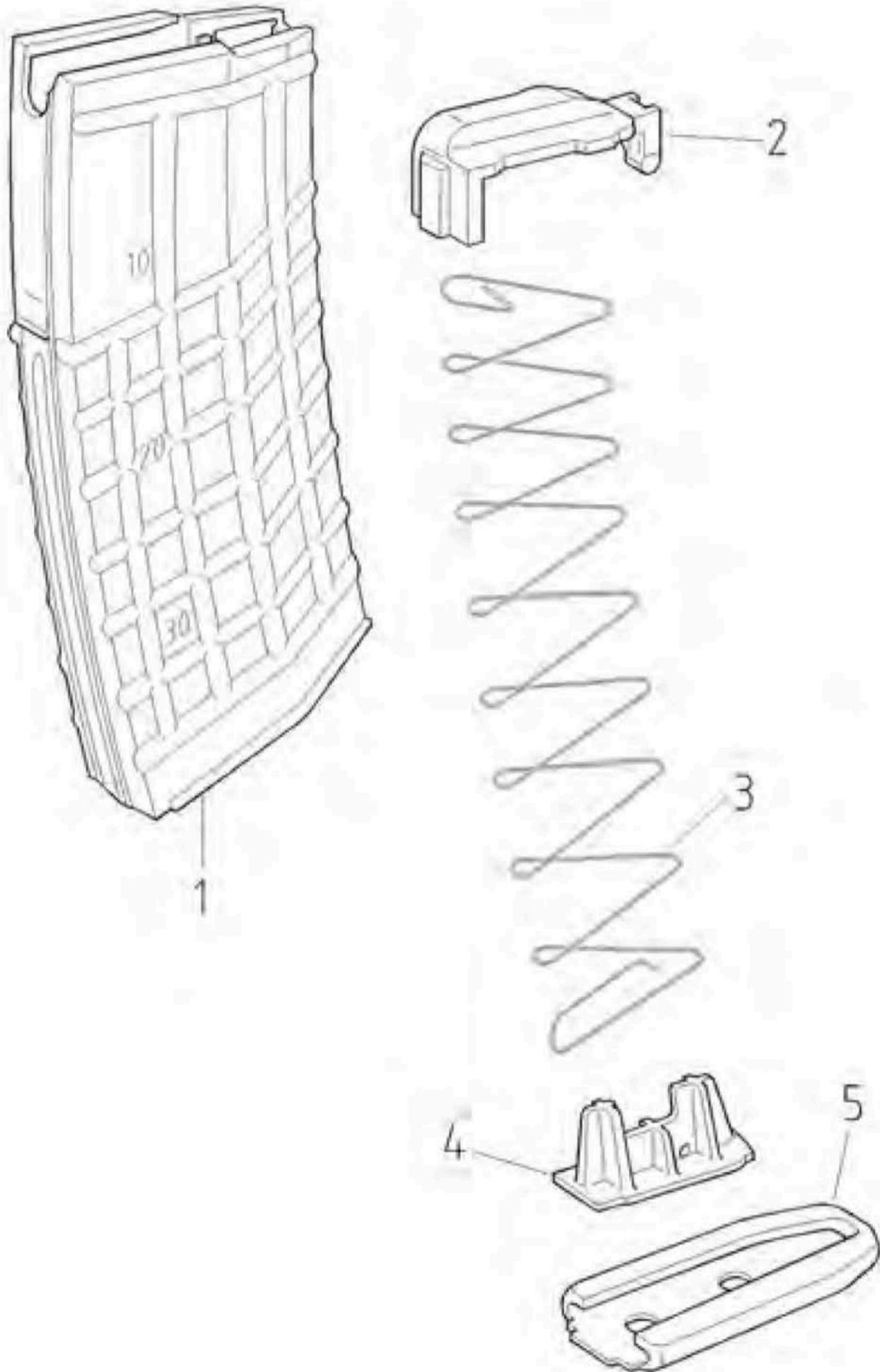
ITEM	DESCRIPTION	QUANTITY
<b>TRIGGER GROUP</b>		
1	BODY, TRIGGER MECHANISM A <sub>3</sub> SA	1 pcs.
2	CATCH HOLDING OPEN A <sub>3</sub>	1 pcs.
3	SPRING, CATCH HOLDING OPEN	1 pcs.
4	PIN, CATCH HOLDING OPEN	1 pcs.
5	HAMMER SA	1 pcs.
6	SPRING SA, HAMMER RIGHT	1 pcs.
7	SPRING SA, HAMMER LEFT	1 pcs.
8	SLIDE, TRIGGER MECHANISM	1 pcs.
9	PIN, TRIGGER MECHANISM	2 pcs.
10	LEVER SA, DISCONNECT	1 pcs.
11	PIN LEVER DISCONNECT	1 pcs.
12	LOCK, BOLT RETAINING	1 pcs.
13	SPRING, TRIGGER	1 pcs.
14	BOLT RETAINING, SUB-ASSY.	1 pcs.
15	PIN, HAMMER	1 pcs.
16	DROP-SAFETY, SUB-ASSY.	1 pcs.
17	COUPLING PIN A <sub>3</sub>	1 pcs.





## CHAPTER 11: PARTS LIST

ITEM	DESCRIPTION	QUANTITY
<b>BOLT GROUP</b>		
1	BOLT CARRIER SA, SUB-ASSY.	1 pcs.
2	PLUNGER, SPRING LOCK LONG	2 pcs.
3	SPRING LOCK, LONG	2 pcs.
4	THRUSTPIECE, LEFT	1 pcs.
5	THRUSTPIECE, RIGHT	1 pcs.
6	BOLT, RIGHT	1 pcs.
7	EXTRACTOR	1 pcs.
8	PIN, EXTRACTOR	1 pcs.
9	SPRING, EXTRACTOR, SUB-ASSY	1 pcs.
10	EJECTOR	1 pcs.
11	SPRING, EJECTOR	1 pcs.
12	PIN, RETAINING EJECTOR	1 pcs.
13	PIECE LOCKING	1 pcs.
14	BOLT, CONTROL	1 pcs.
15	SPRING, SLIDE COCKING	1 pcs.
16	PIN, FIRING, SUB-ASSY.	1 pcs.
17	SLEEVE, SPRING PIECE LOCKING	1 pcs.
18	COCKING-PIECE	1 pcs.
19	PIN, RETAINING, PIN CONTR.	1 pcs.
20	ROLLER, SLIDE	1 pcs.
21	PIN, ROLLER SLIDE	1 pcs.
22	ANTI-TURN DEVICE	1 pcs.
23	PIN	1 pcs.



## CHAPTER 11: PARTS LIST

ITEM	DESCRIPTION	QUANTITY
<b>MAGAZINE GROUP</b>		
1	BODY, MAGAZINE	1 pcs.
2	FOLLOWER, BLACK	1 pcs.
3	SPRING	1 pcs.
4	RETAINER, BLACK	1 pcs.
5	BASE PLATE, BLACK	1 pcs.



## CHAPTER 11: PARTS LIST

ITEM	DESCRIPTION	QUANTITY
	<b>STOCK GROUP</b>	
1	STOCK USA SA, SUB-ASSY., BLACK	1 pcs.
2	SCREW, TRIGGER	1 pcs.
3	WASHER, TRIGGER	1 pcs.
4	TRIGGER, BLACK	1 pcs.
5	NUT, TRIGGER	1 pcs.
6	SEAR	1 pcs.
7	SPRING, CATCH SAFETY	1 pcs.
8	CATCH SAFETY, BLACK	1 pcs.
9	RECEIVER LOCK SA	1 pcs.
10	SPRING, RECEIVER LOCK	1 pcs.
11	CATCH, MAGAZINE, BLACK	1 pcs.
12	BOLT, MAGAZINE CATCH	1 pcs.
13	NUT, MAGAZINE CATCH	1 pcs.
14	SPRING, MAGAZINE CATCH	1 pcs.
15	PLATE BUTT, SUB-ASSY., BLACK	1 pcs.
16	LID, CLEANING KIT COMP.	1 pcs.
17	INSERT	1 pcs.
18	LEVER, RELEASE BOLT	1 pcs.
19	PIN	1 pcs.
20	LID EJECTION USA, OUTSIDE, BLACK	1 pcs.
21	LID EJECTION, INSIDE	1 pcs.

Edition US 01

**STEYR ARMS, Inc.**

2530 Morgan Road  
Bessemer, AL 35022

Tel. (205) 417-8644

Fax.(205) 417-8647

[www.steyrarms.com](http://www.steyrarms.com)



STEYR MANNLICHER GmbH  
Ramingtal 46, 4442 Kleinraming, Austria  
[www.steyr-mannlicher.com](http://www.steyr-mannlicher.com)